



US00D591059S

(12) **United States Design Patent**
Patel

(10) **Patent No.:** **US D591,059 S**
(45) **Date of Patent:** **** Apr. 28, 2009**

(54) **CLOTHES HANGER**

(76) Inventor: **Darmesh M. Patel**, 6 Via Jaquima,
Rancho Santa Margarita, CA (US) 92688

(**) Term: **14 Years**

(21) Appl. No.: **29/324,843**

(22) Filed: **Sep. 22, 2008**

(51) **LOC (9) Cl.** **06-08**

(52) **U.S. Cl.** **D6/319**

(58) **Field of Classification Search** D6/315,
D6/317, 318, 319, 328; 211/1, 13.1, 85.3;
223/85, 98

See application file for complete search history.

(56) **References Cited**

U.S. PATENT DOCUMENTS

D140,337 S	2/1945	Hill	
D216,056 S *	11/1969	Gingher	D6/319
D259,087 S	5/1981	Mainetti	
4,310,096 A	1/1982	Kohlhepp	
D275,539 S	9/1984	Mainetti	
4,582,233 A	4/1986	Brickhouse	
5,381,938 A	1/1995	Vasudeva	
5,806,728 A	9/1998	Forsstroem et al.	
D404,579 S *	1/1999	Di Gilio	D6/319
D408,156 S *	4/1999	Eiley et al.	D6/317
D415,620 S	10/1999	Prince et al.	

D419,310 S	1/2000	Abdi	
D445,265 S *	7/2001	Yost	D6/319
6,481,603 B2	11/2002	Gish	
D481,545 S	11/2003	Strouts	
D498,933 S *	11/2004	Abdi	D6/317
D499,560 S *	12/2004	Abdi et al.	D6/319
D501,093 S	1/2005	Barre et al.	
7,246,730 B2	7/2007	Russo	
D567,516 S *	4/2008	Mangano	D6/319
D568,620 S *	5/2008	Wong	D6/319

* cited by examiner

Primary Examiner—Stella M Reid

Assistant Examiner—Shanda C Hill

(74) *Attorney, Agent, or Firm*—Walter A. Hackler

(57) **CLAIM**

The ornamental design for a clothes hanger, as shown and described.

DESCRIPTION

FIG. 1 is a front elevational view of a clothes hanger showing my new design, the rear elevational view being identical;

FIG. 2 is a top plan view thereof;

FIG. 3 is a bottom plan view thereof; and,

FIG. 4 is a side elevational view thereof, the opposite side elevational view being identical.

1 Claim, 1 Drawing Sheet

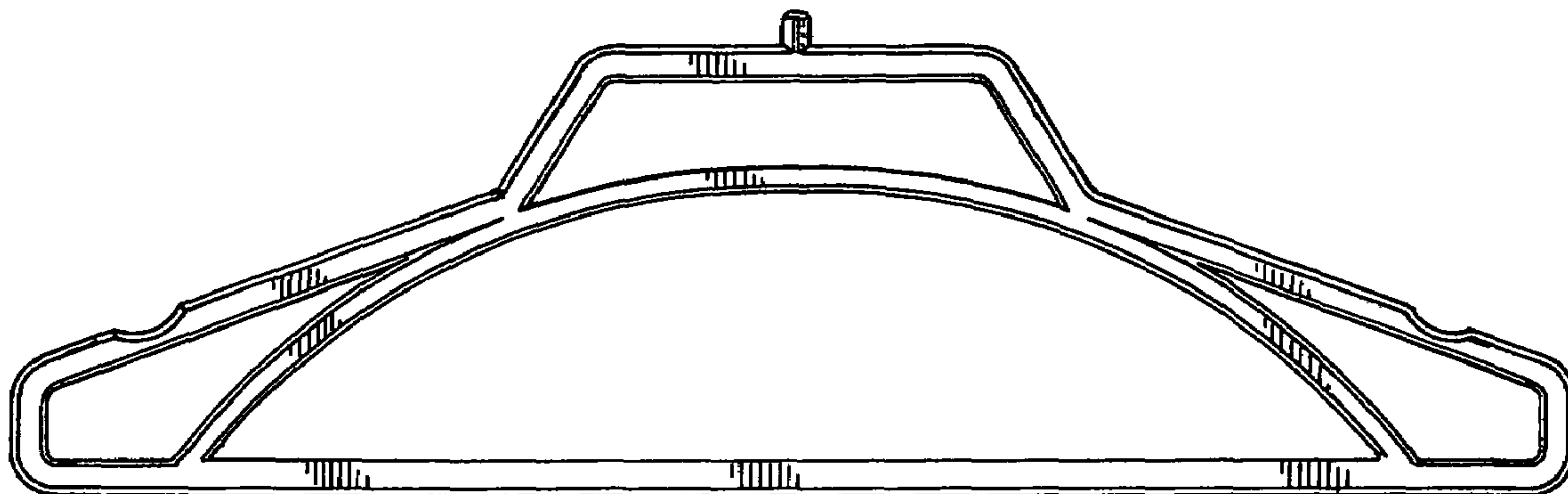




FIG. 2.

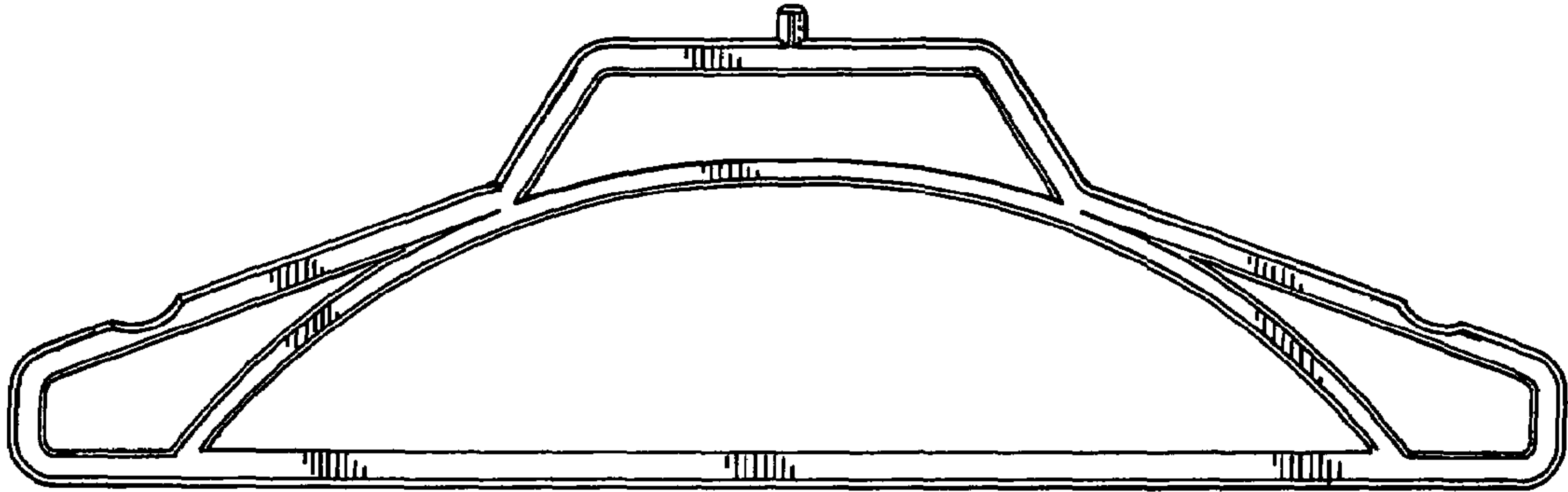


FIG. 1.

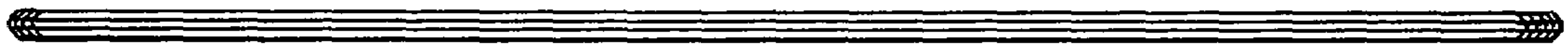


FIG. 3.



FIG. 4.