



US00D591054S

(12) **United States Design Patent**  
**Erickson et al.**

(10) **Patent No.:** **US D591,054 S**  
(45) **Date of Patent:** **\*\* Apr. 28, 2009**

(54) **LIGHTED MIRROR**

(75) **Inventors:** **Patrick Erickson**, Seattle, WA (US);  
**James V. Mischel, Sr.**, Lynnwood, WA  
(US); **James V. Mischel, Jr.**, Seattle, WA  
(US)

(73) **Assignee:** **Electric Mirror, L.L.C.**, Everett, WA  
(US)

(\*\*) **Term:** **14 Years**

(21) **Appl. No.:** **29/303,007**

(22) **Filed:** **Jan. 30, 2008**

(51) **LOC (9) Cl.** ..... **06-07**

(52) **U.S. Cl.** ..... **D6/308**

(58) **Field of Classification Search** ..... D6/300–314,  
D6/553; 40/700, 768, 717, 714, 715, 716;  
D14/371; D20/42; D16/130; D26/56  
See application file for complete search history.

(56) **References Cited**

**U.S. PATENT DOCUMENTS**

- D122,771 S 10/1940 Doner
- D125,120 S \* 2/1941 Shulman ..... D6/308
- 2,410,989 A 11/1946 Mevi
- 2,523,290 A \* 9/1950 Gardner ..... 40/716
- D184,436 S 2/1959 Haycraft
- D206,924 S \* 2/1967 Prouty ..... D6/308
- D218,214 S \* 7/1970 Goldman ..... D6/308
- 3,665,628 A 5/1972 Dammond
- D250,504 S 12/1978 Kliot
- 4,187,630 A 2/1980 Giulie
- 4,277,903 A 7/1981 Crossot
- D264,414 S 5/1982 Missir
- D277,874 S 3/1985 Zeischegg
- D312,262 S \* 11/1990 Allon ..... D16/130
- D335,148 S 4/1993 Barbieri
- D434,571 S 12/2000 Copeland
- D452,081 S 12/2001 Rowan
- D458,459 S 6/2002 Gottwald
- D471,236 S 3/2003 Robbins, III

- D492,127 S 6/2004 Bellini
- D495,152 S 8/2004 Pulini
- D545,067 S 6/2007 Mischel, Jr.
- D547,072 S 7/2007 Mischel, Jr.
- D549,378 S \* 8/2007 Heitel ..... D26/56
- D562,045 S \* 2/2008 Ophardt ..... D6/553

**OTHER PUBLICATIONS**

“Esteem,” ElectricMirror.com, <<http://web.archive.org/web/20060709052833/www.electricmirror.com/esteem.html>>, as early as Mar. 2006 [retrieved Jan. 14, 2008].

“Loft,” ElectricMirror.com, <<http://web.archive.org/web/20060708173753/www.electricmirror.com/vibepolished.html>>, as early as Jul. 2006 [retrieved Jan. 14, 2008].

“Quantum,” ElectricMirror.com, <<http://web.archive.org/web/20060708173534/www.electricmirror.com/quantum.html>>, as early as Jul. 2006 [retrieved Jan. 14, 2008].

\* cited by examiner

*Primary Examiner*—Caron Veynar

*Assistant Examiner*—Sydney R Buffalow

(74) *Attorney, Agent, or Firm*—Christensen O’Connor  
Johnson Kindness PLLC

(57) **CLAIM**

The ornamental design for a lighted mirror, as shown and described.

**DESCRIPTION**

FIG. 1 is a front perspective view of a lighted mirror showing our new design;

FIG. 2 is a rear perspective view thereof;

FIG. 3 is a front elevational view thereof;

FIG. 4 is a right side view thereof;

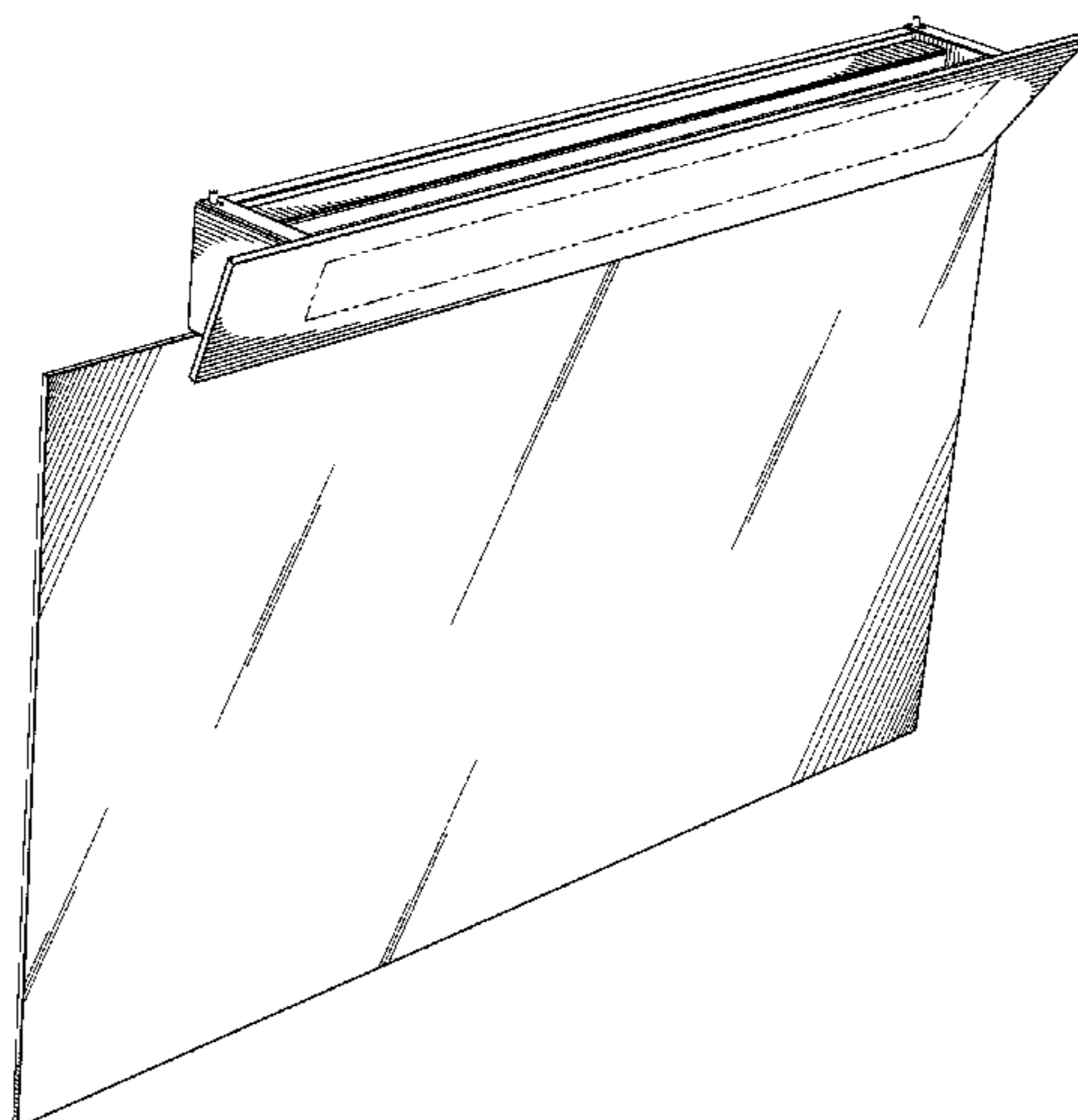
FIG. 5 is a left side view thereof;

FIG. 6 is a top plan view thereof; and,

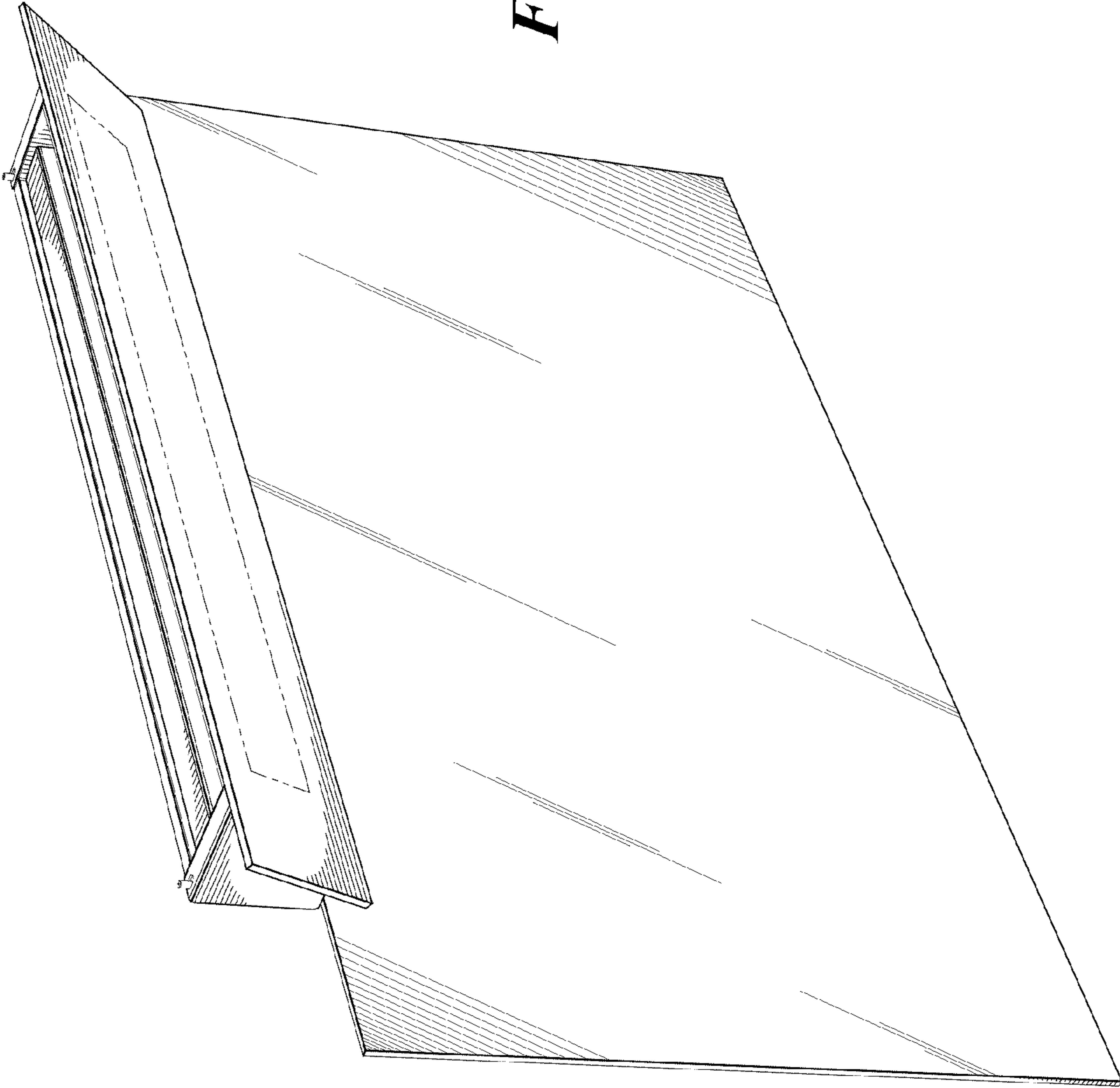
FIG. 7 is a bottom plan view thereof.

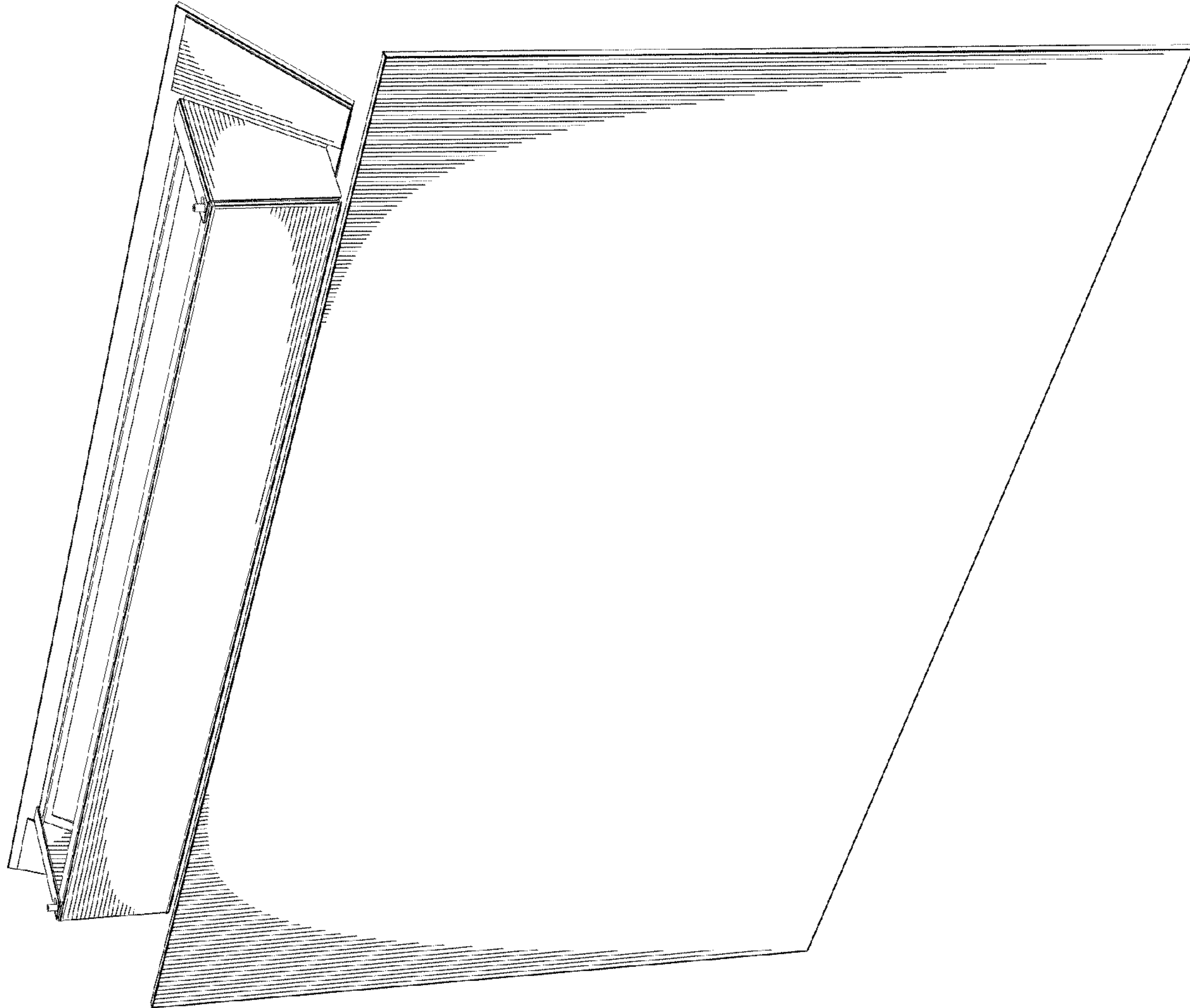
The broken lines shown are for environmental purposes only and form no part of the claimed design.

**1 Claim, 4 Drawing Sheets**



*Fig. 1.*





*Fig. 2.*



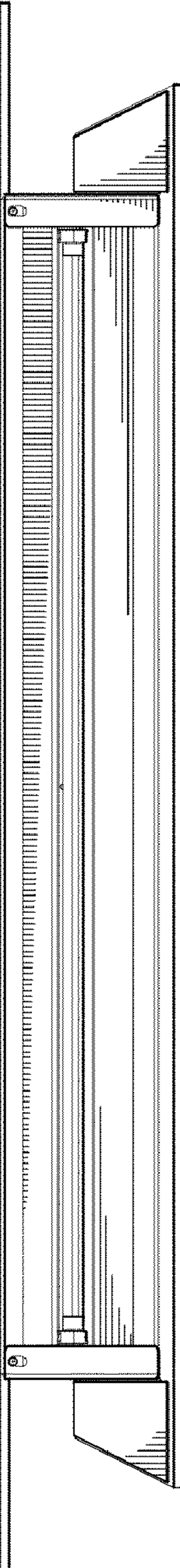
*Fig. 5.*



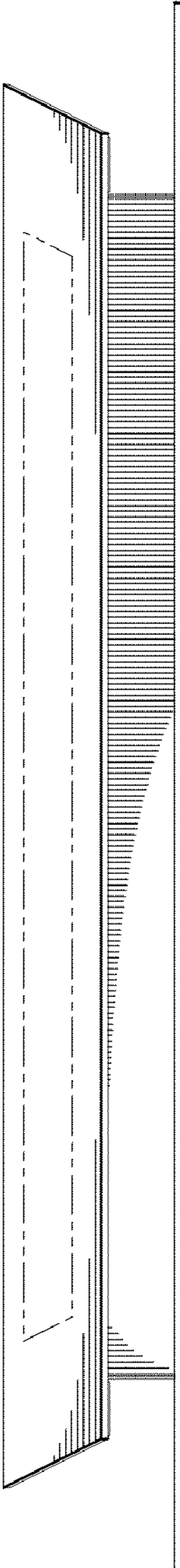
*Fig. 3.*



*Fig. 4.*



*Fig. 6.*



*Fig. 7.*