



US00D591046S

(12) **United States Design Patent**
Lee et al.

(10) **Patent No.:** **US D591,046 S**
(45) **Date of Patent:** **** Apr. 28, 2009**

(54) **BAG FOR PORTABLE TERMINAL**
(75) Inventors: **Won-Ho Lee**, Seoul (KR); **Heon-Jeong Jee**, Seoul (KR); **Yoon-Hee Cho**, Seoul (KR)

(73) Assignee: **Samsung Electronics Co., Ltd.**, Suwon-Si (KR)

(**) Term: **14 Years**

(21) Appl. No.: **29/287,715**

(22) Filed: **Sep. 11, 2007**

(30) **Foreign Application Priority Data**
Jun. 26, 2007 (KR) 30-2007-0027488

(51) **LOC (9) Cl.** **03-01**
(52) **U.S. Cl.** **D3/285**
(58) **Field of Classification Search** D3/273-274,
D3/276, 282, 283, 284, 285, 294, 295, 905;
D9/432; 206/372, 373, 377-379; 220/4.21-4.24
See application file for complete search history.

(56) **References Cited**
U.S. PATENT DOCUMENTS
2,672,232 A * 3/1954 Kessell, Jr. 206/543
D257,801 S * 1/1981 Lubliner D3/289
D258,325 S * 2/1981 Davis D3/289
D270,969 S * 10/1983 Stark D3/279
D321,593 S * 11/1991 Kim D3/289
D363,197 S * 10/1995 Burnett D7/710

D548,462 S * 8/2007 Aliberti et al. D3/283
D566,484 S * 4/2008 George D7/629
D568,047 S * 5/2008 Brancky D3/284

* cited by examiner

Primary Examiner—Raphael Barkai
Assistant Examiner—Randall H Gholson
(74) *Attorney, Agent, or Firm*—Staas & Halsey LLP

(57) **CLAIM**

The ornamental design for a bag for portable terminal, as shown and described.

DESCRIPTION

FIG. 1 is a perspective view of a bag for portable terminal with a middle divider covering one side;
FIG. 2 is a front view of the bag for portable terminal of FIG. 1;
FIG. 3 is a rear view of the bag for portable terminal of FIG. 1;
FIG. 4 is left-side of the bag for portable terminal of FIG. 1;
FIG. 5 is right-side of the bag for portable terminal of FIG. 1;
FIG. 6 is top plan view of the bag for portable terminal of FIG. 1;
FIG. 7 is bottom plan view of the bag for portable terminal of FIG. 1; and,
FIG. 8 is another perspective view of the bag for portable terminal of FIG. 1, displaying.

1 Claim, 6 Drawing Sheets

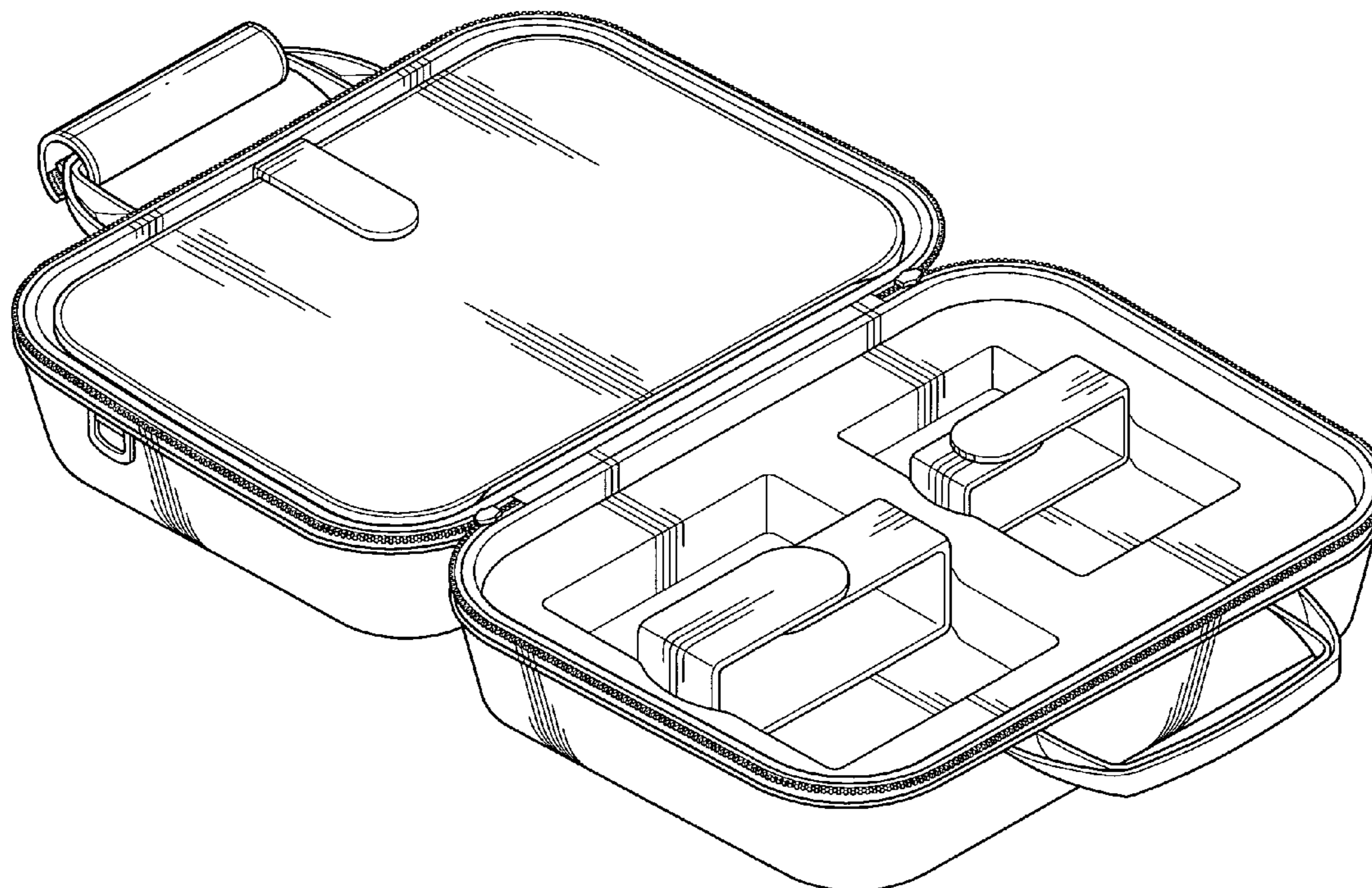


FIG. 1

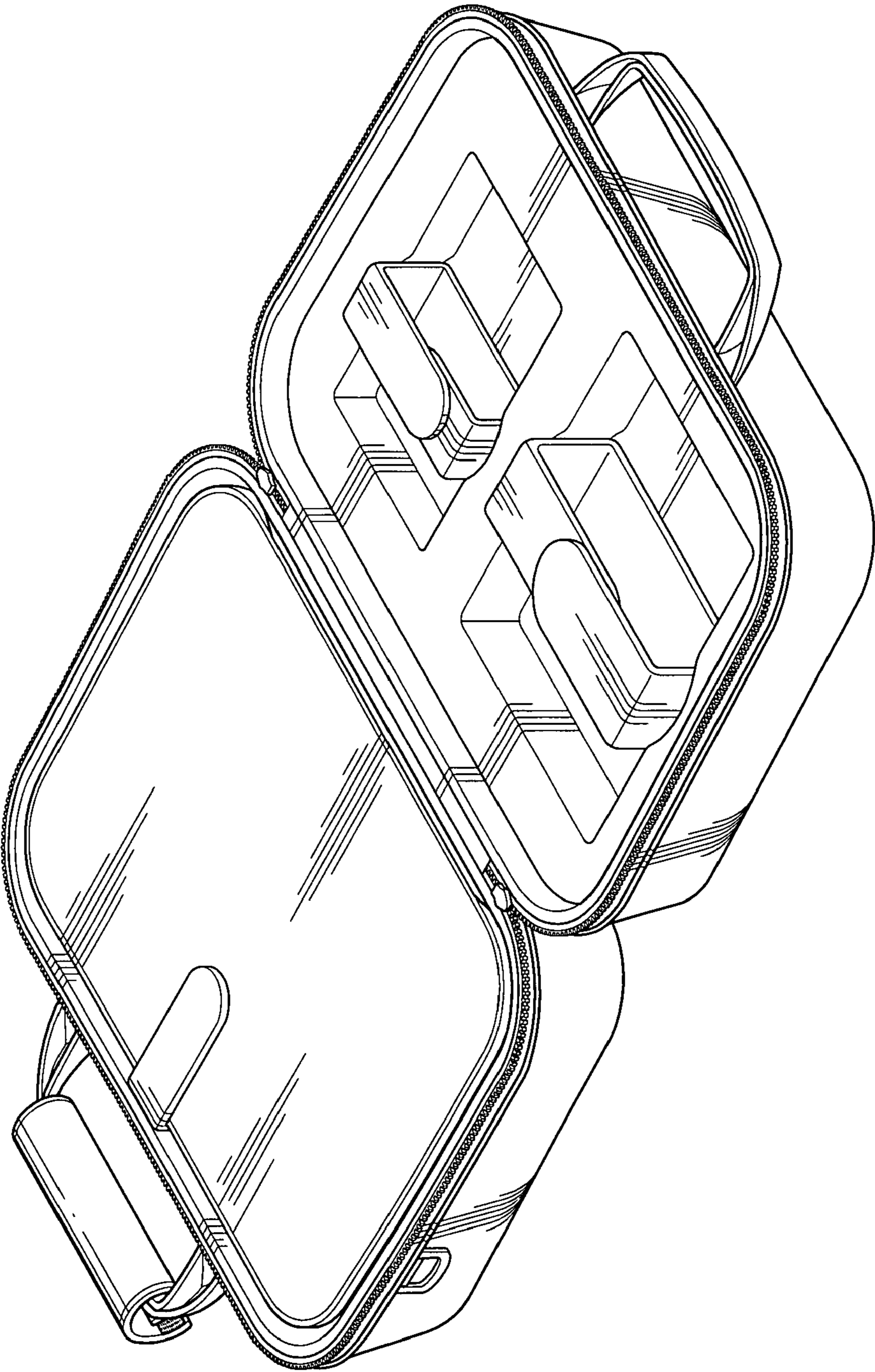


FIG. 2

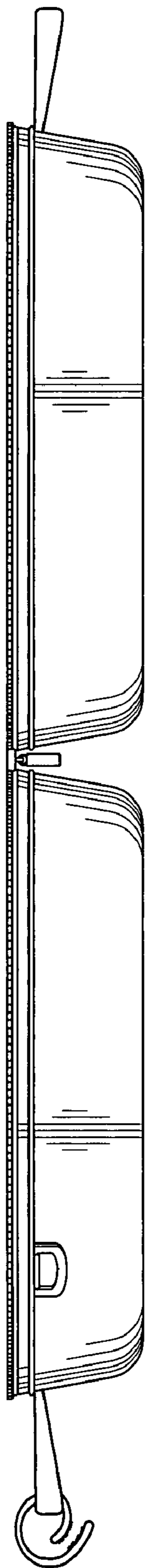


FIG. 3

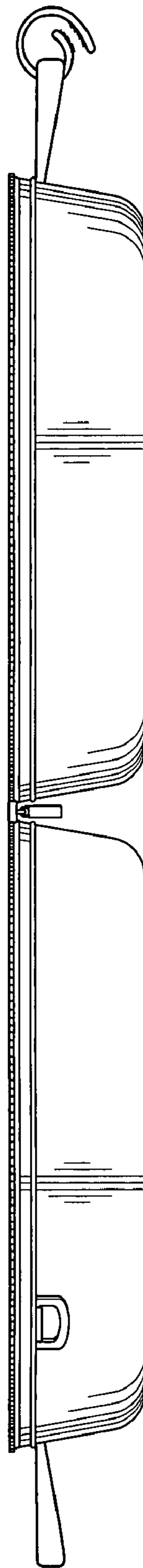


FIG. 4

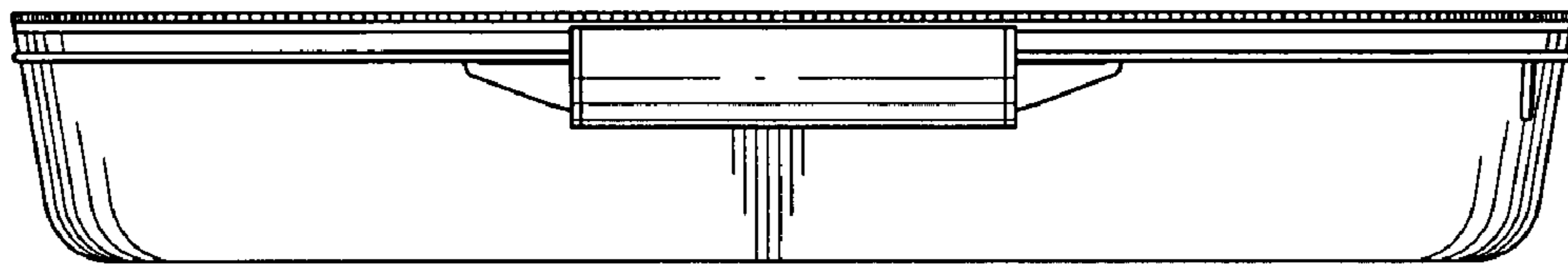


FIG. 5

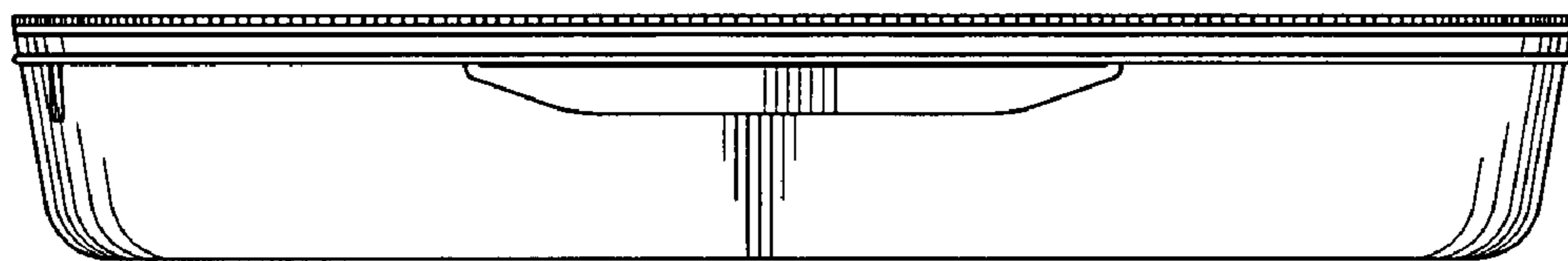


FIG. 6

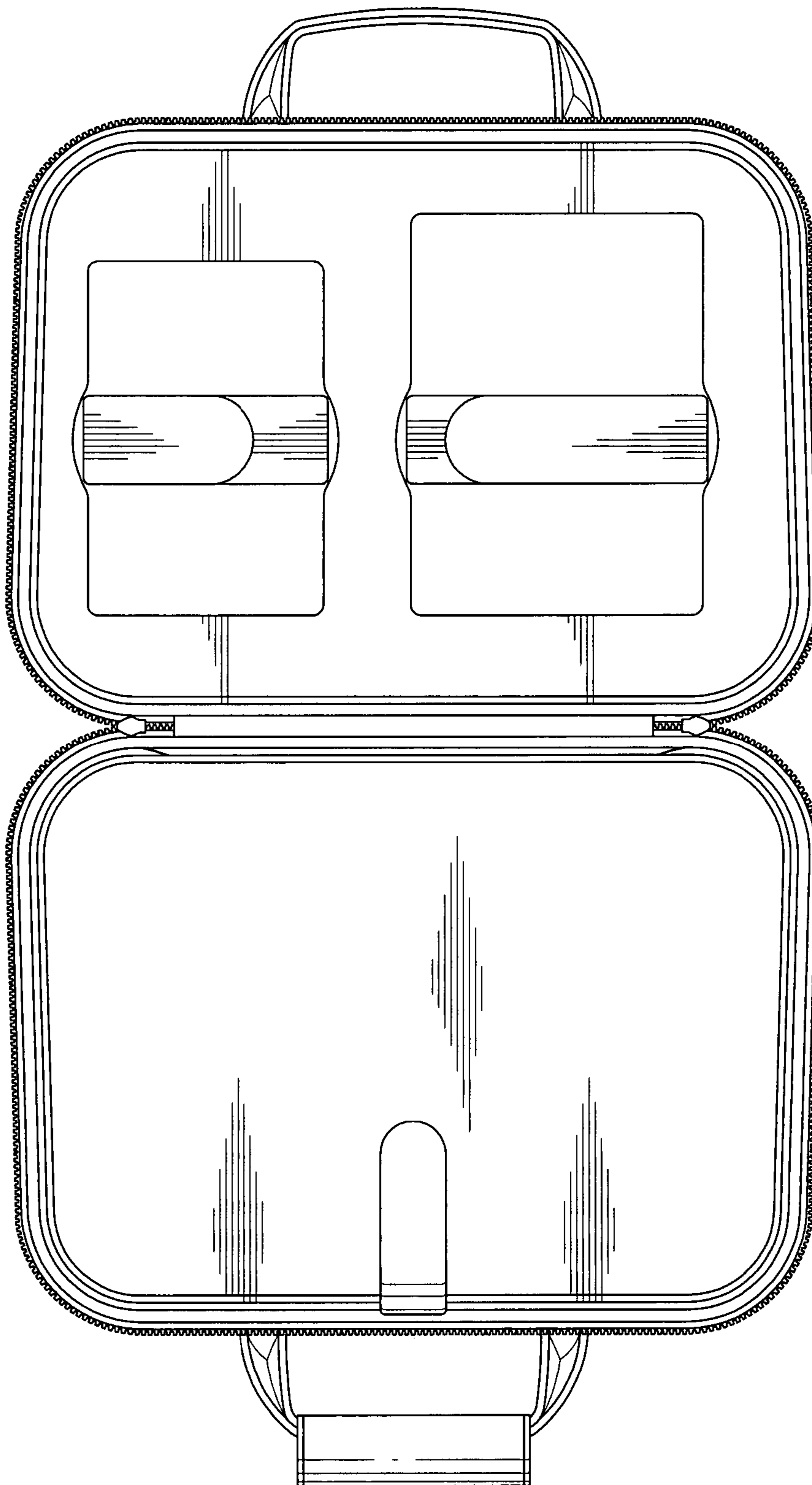


FIG. 7

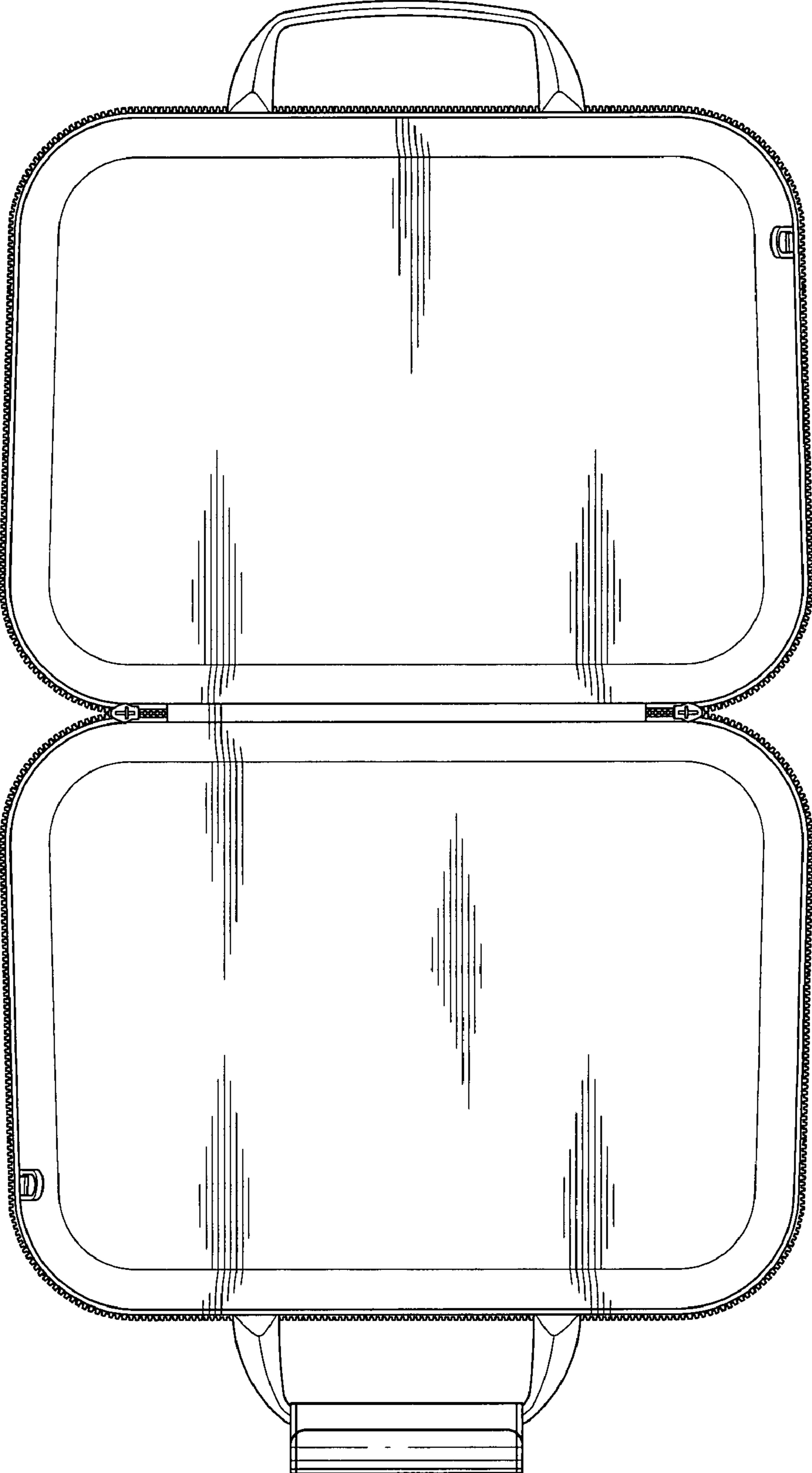


FIG. 8

