



US00D591043S

(12) **United States Design Patent**  
**Gonzalez**

(10) **Patent No.:** **US D591,043 S**  
(45) **Date of Patent:** **\*\* Apr. 28, 2009**

(54) **HANDBAG**

(75) Inventor: **Alvaro Gonzalez**, Florence (IT)

(73) Assignee: **J..Choo Limited**, London (GB)

(\*\*) Term: **14 Years**

(21) Appl. No.: **29/288,595**

(22) Filed: **Jun. 15, 2007**

(51) **LOC (9) Cl.** ..... **03-01**

(52) **U.S. Cl.** ..... **D3/246**

(58) **Field of Classification Search** ..... D3/232,  
D3/233, 234, 238, 239, 240, 241, 243, 245,  
D3/246, 303, 318, 319, 321, 322, 323, 324,  
D3/325, 326, 900, 902; 150/100, 106, 107,  
150/108, 110, 111, 112, 118; 190/100, 106

See application file for complete search history.

(56) **References Cited**

**U.S. PATENT DOCUMENTS**

D94,871 S *	3/1935	Cesario	.....	D3/243
2,745,524 A	5/1956	Plotkin		
D180,639 S *	7/1957	Blatt	.....	D3/246
4,074,740 A *	2/1978	Anderson	.....	150/106
D275,910 S	10/1984	Schimmel		
D299,384 S *	1/1989	Donnor	.....	D3/246
5,119,910 A	6/1992	Heggeland		
5,950,893 A	9/1999	Heggeland		
D551,859 S *	10/2007	Maier	.....	D3/246
2007/0107652 A1 *	5/2007	Michida	.....	150/106

**FOREIGN PATENT DOCUMENTS**

JP 411253593 9/1999

**OTHER PUBLICATIONS**

Vintage bag, undated photograph.  
U.S. Appl. No. 29/288,601, filed Jun. 15, 2007.

U.S. Appl. No. 29/288,594, filed Jun. 15, 2007.  
Stone Mountain, Oakland Rounded Hobo, printed Apr. 6, 2007 from ebags.com website.

Tods Handbag, Micky Deer Skin, printed Apr. 6, 2007 from handbagcrew.com.

\* cited by examiner

*Primary Examiner*—T. Chase Nelson

*Assistant Examiner*—Kathleen M Sims

(74) *Attorney, Agent, or Firm*—Fross Zelnick Lehrman & Zissu, P.C.; Lawrence E. Apolzon, Esq.

(57) **CLAIM**

The ornamental design for a handbag, as shown and described.

**DESCRIPTION**

FIG. 1 is a front perspective view of a handbag showing my new design;

FIG. 2 is a front view thereof;

FIG. 3 is a rear view thereof

FIG. 4 is a right side view thereof;

FIG. 5 is a left side view thereof;

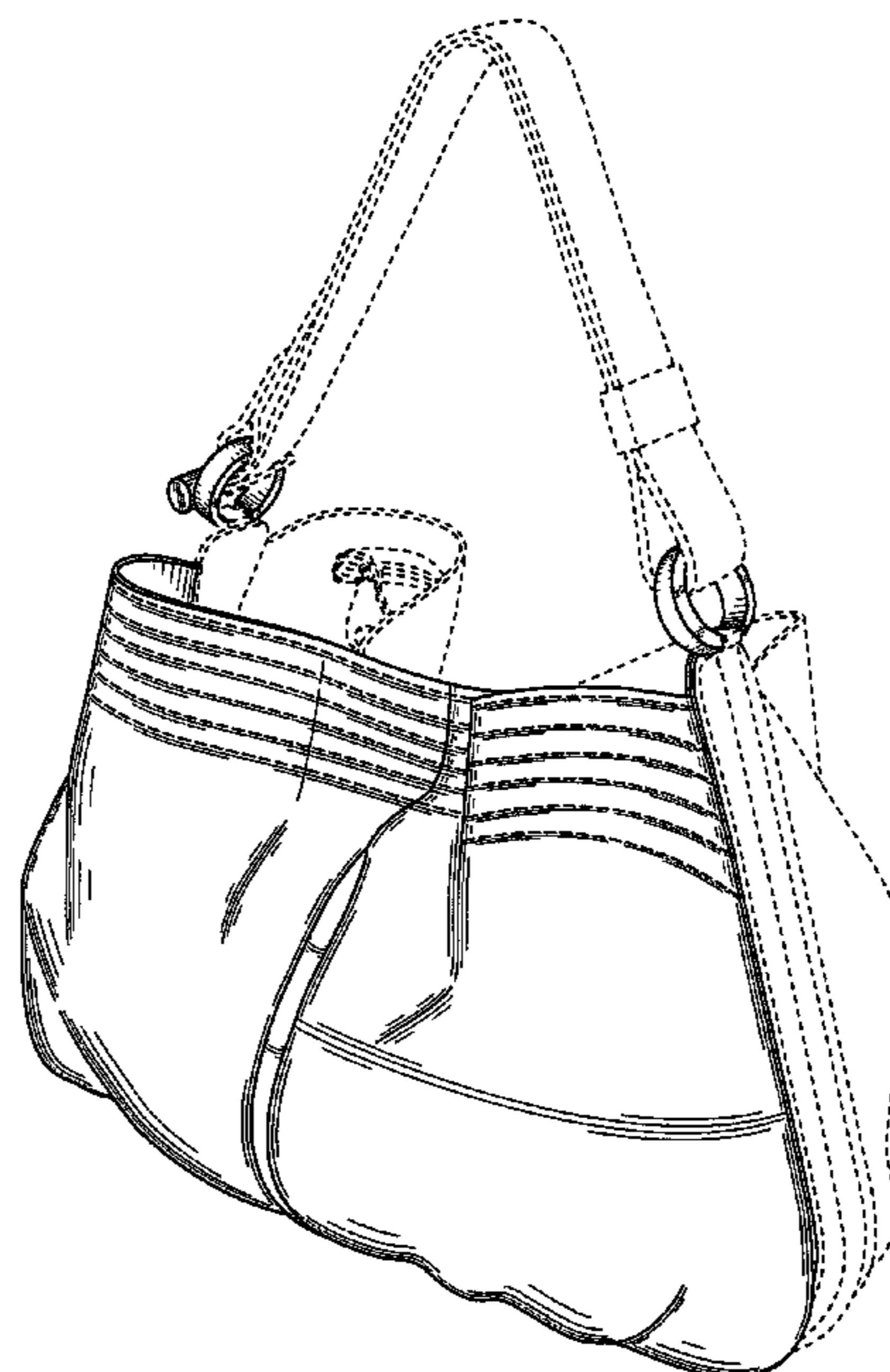
FIG. 6 is a top view thereof; and,

FIG. 7 is a bottom view thereof.

The broken line showing of a handle, zipper, zipper pull, rear of bag, bottom strap, and rivets, is included for the purpose of showing portions of the handbag that form no part of the claimed design.

The rows of evenly spaced dashed lines shown on the top side portion of the handbag in FIGS. 1–2 and 4–6 represent conventional stitching.

**1 Claim, 7 Drawing Sheets**



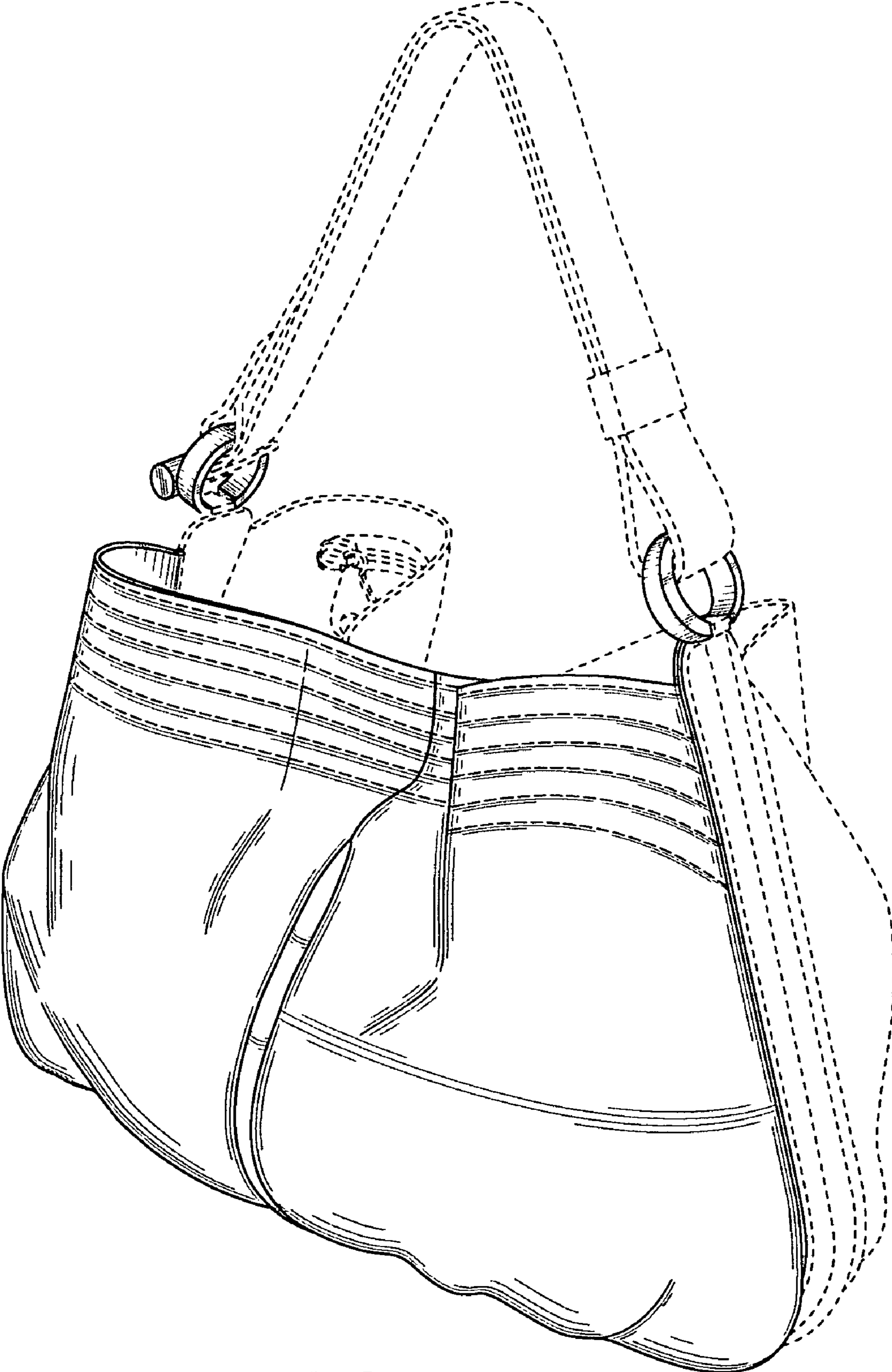


FIG. 1

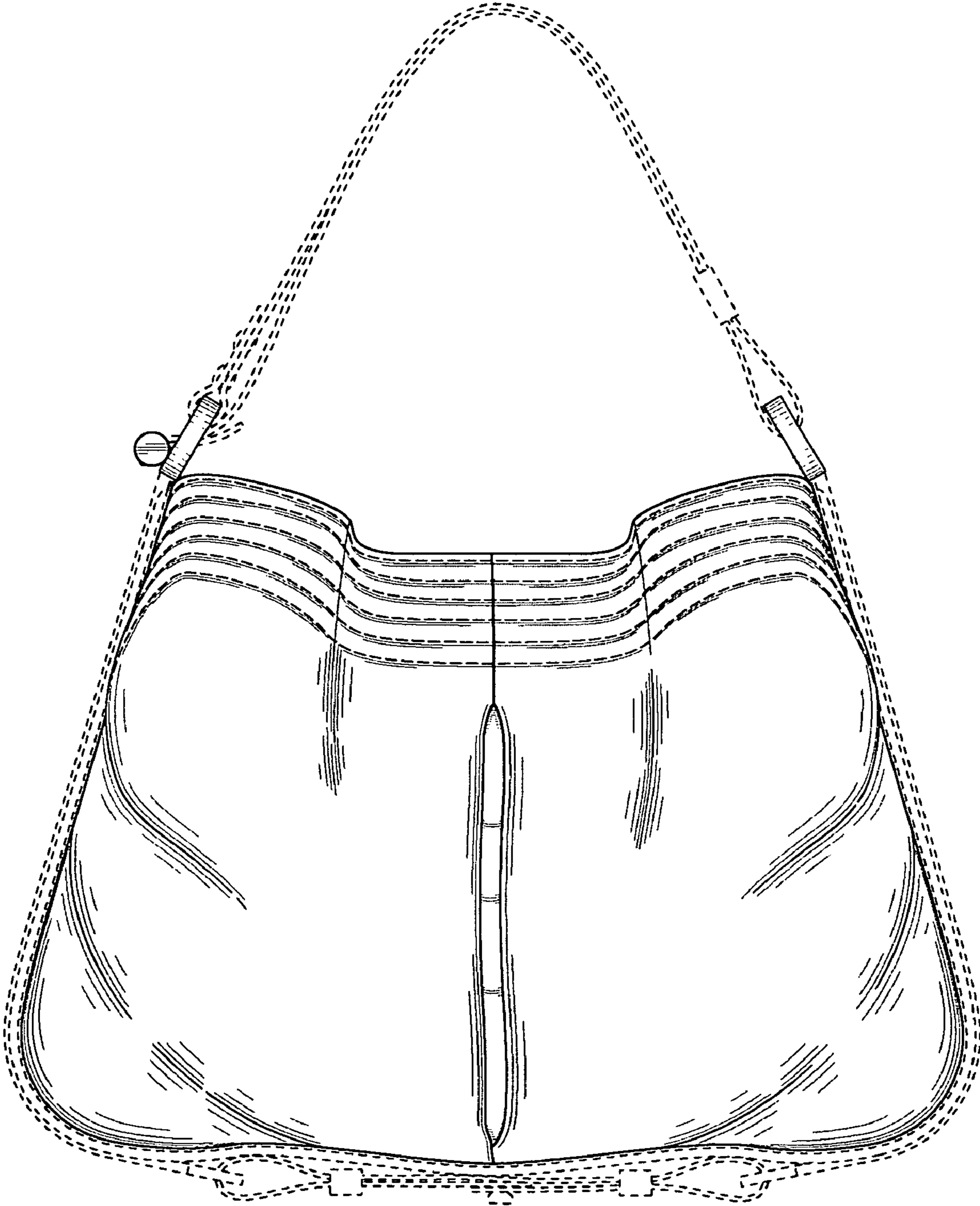


FIG. 2



FIG. 3

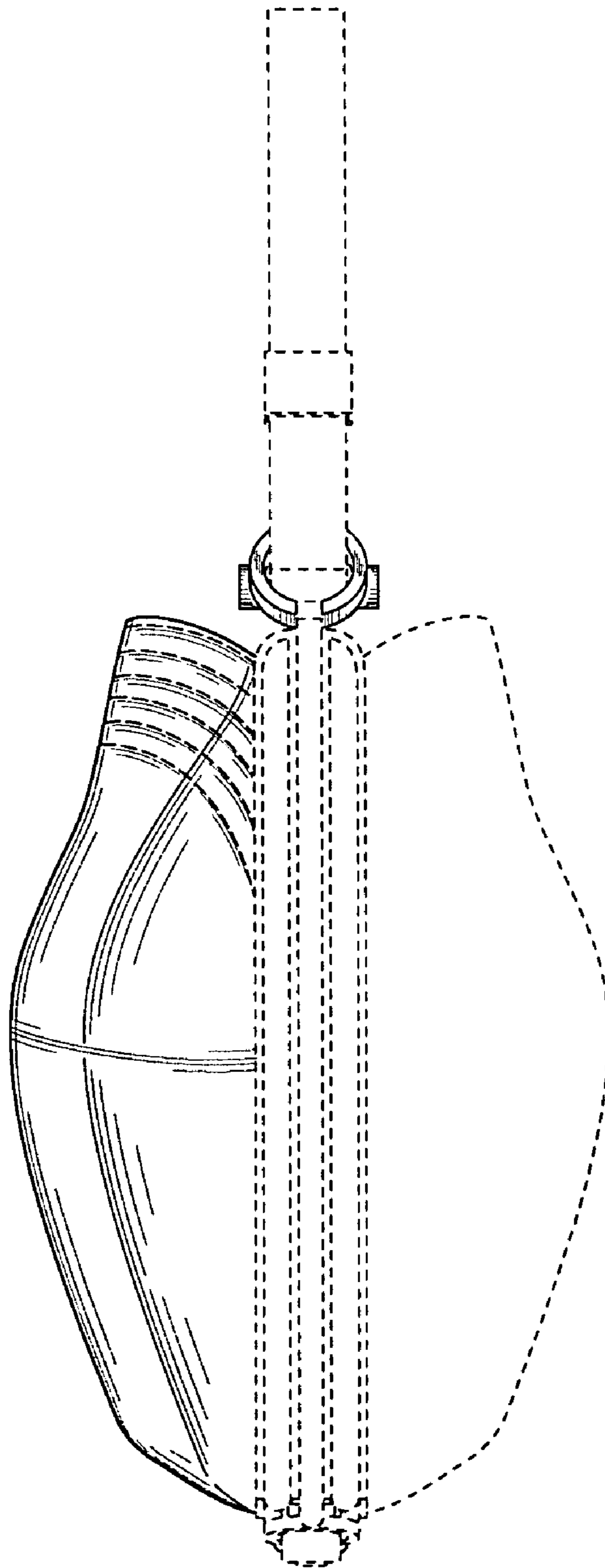


FIG. 4

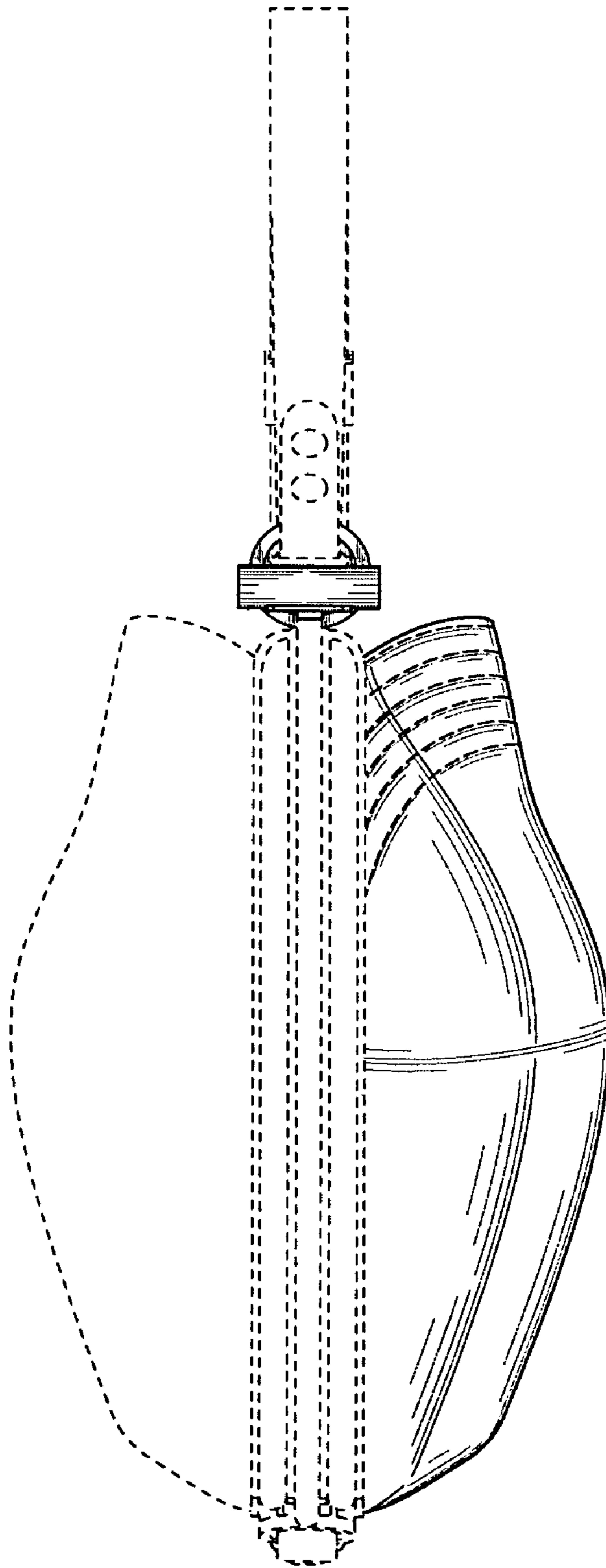


FIG. 5

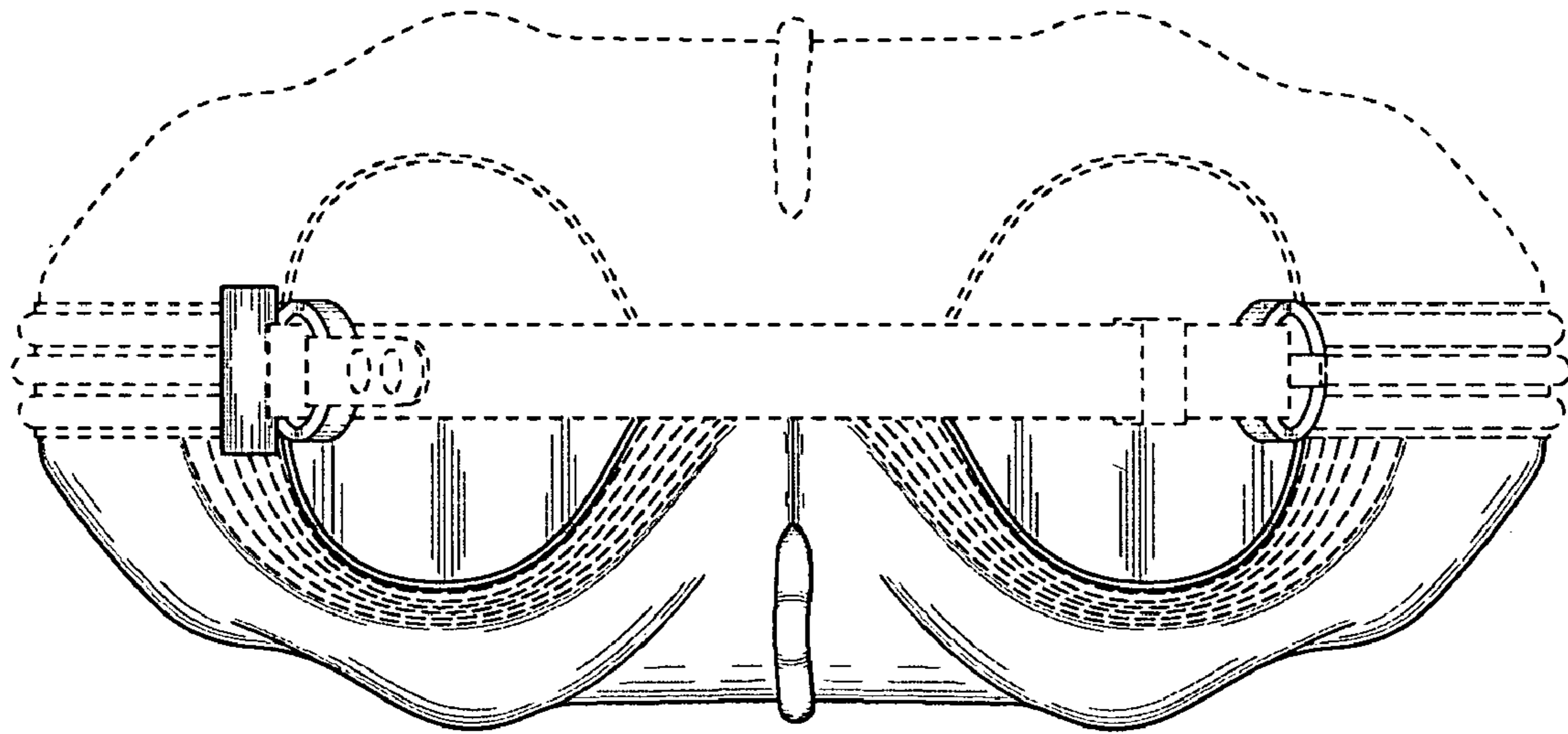


FIG. 6

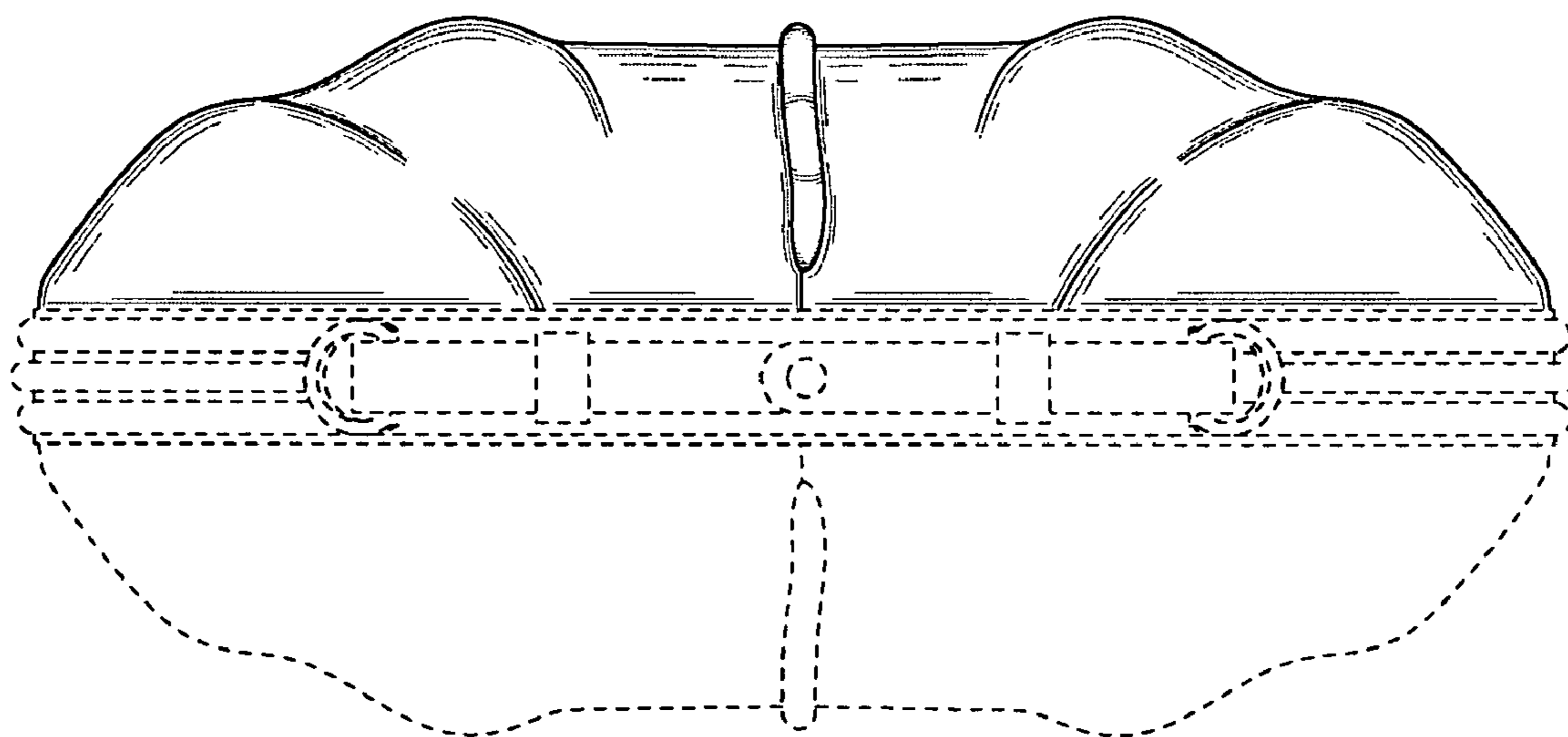


FIG. 7



UNITED STATES PATENT AND TRADEMARK OFFICE  
**CERTIFICATE OF CORRECTION**

PATENT NO. : Des. 591,043 S  
APPLICATION NO. : 29/288595  
DATED : April 28, 2009  
INVENTOR(S) : Alvaro Gonzalez

Page 1 of 1

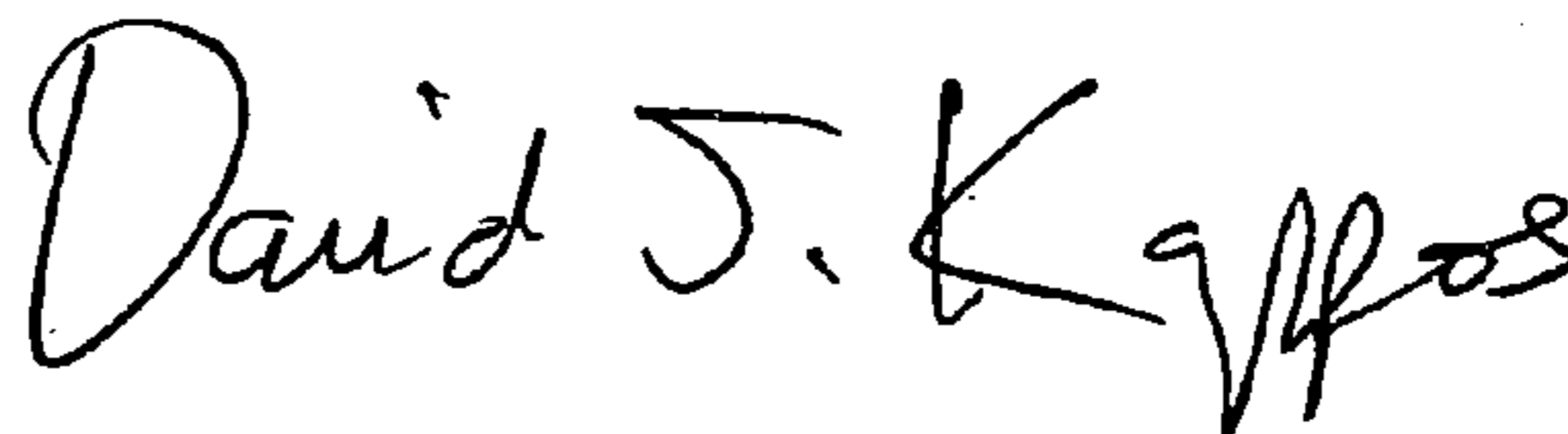
It is certified that error appears in the above-identified patent and that said Letters Patent is hereby corrected as shown below:

Title page, item (30) should read -- Foreign Application Priority Data

January 15, 2007 (EM) .....000654900-004 --

Signed and Sealed this

First Day of December, 2009



David J. Kappos  
*Director of the United States Patent and Trademark Office*