



US00D591028S

(12) **United States Design Patent**
Rogondino

(10) **Patent No.:** **US D591,028 S**

(45) **Date of Patent:** **** Apr. 28, 2009**

(54) **CLOTHING**

(76) Inventor: **Patrick Rogondino**, 925 Hotel Cir.
South, San Diego, CA (US) 92108

(**) Term: **14 Years**

(21) Appl. No.: **29/305,077**

(22) Filed: **Mar. 13, 2008**

(51) **LOC (9) Cl.** **02-02**

(52) **U.S. Cl.** **D2/831**

(58) **Field of Classification Search** D2/828,
D2/830, 831, 839, 857, 999; 2/69.5, 84,
2/85, 93, 247, 257, DIG. 2; D9/668; D3/233,
D3/271.4, 303

See application file for complete search history.

(56) **References Cited**

U.S. PATENT DOCUMENTS

2,428,795	A *	10/1947	Fraze	224/153
3,147,490	A *	9/1964	Allen et al.	2/84
3,624,939	A *	12/1971	Gossard	40/721
4,347,629	A *	9/1982	Itoi	2/108
4,476,587	A *	10/1984	Itoi	2/94
D277,049	S *	1/1985	Peyser	D2/831
D404,539	S *	1/1999	Glasser	D2/831
D425,706	S *	5/2000	Calderone	D4/116
6,564,388	B1 *	5/2003	Poston	2/86
6,848,118	B2 *	2/2005	Barnes et al.	2/108
D553,330	S *	10/2007	Wager	D2/831

2005/0028242 A1 * 2/2005 Thomas et al. 2/84
2008/0196140 A1 * 8/2008 Mayerson et al. 2/84

* cited by examiner

Primary Examiner—Ian Simmons

Assistant Examiner—R. Johnson

(74) *Attorney, Agent, or Firm*—Gordon & Rees LLP

(57) **CLAIM**

The ornamental design for clothing, as shown and described.

DESCRIPTION

FIG. 1 is a perspective view of the pocket portion of the clothing, showing my new design; the clothing shown in the configuration of a soccer ball;

FIG. 2 is a rear perspective view of thereof;

FIG. 3 is a front view of the clothing thereof; showing the clothing partially removed from the pocket; the clothing being in the form of a hooded pull-over jacket;

FIG. 4 is a front view of the clothing; showing the pull over jacket fully removed from the pocket; the pocket centrally attached to the front of the clothing;

FIG. 5 is a front view of the hooded pull-over jacket portion of the clothing; showing the pocket folded inside the jacket;

FIG. 6 is a left side elevational view thereof, the undisclosed right side elevational view being a mirror image; and,

FIG. 7 is a rear elevational view thereof.

1 Claim, 8 Drawing Sheets

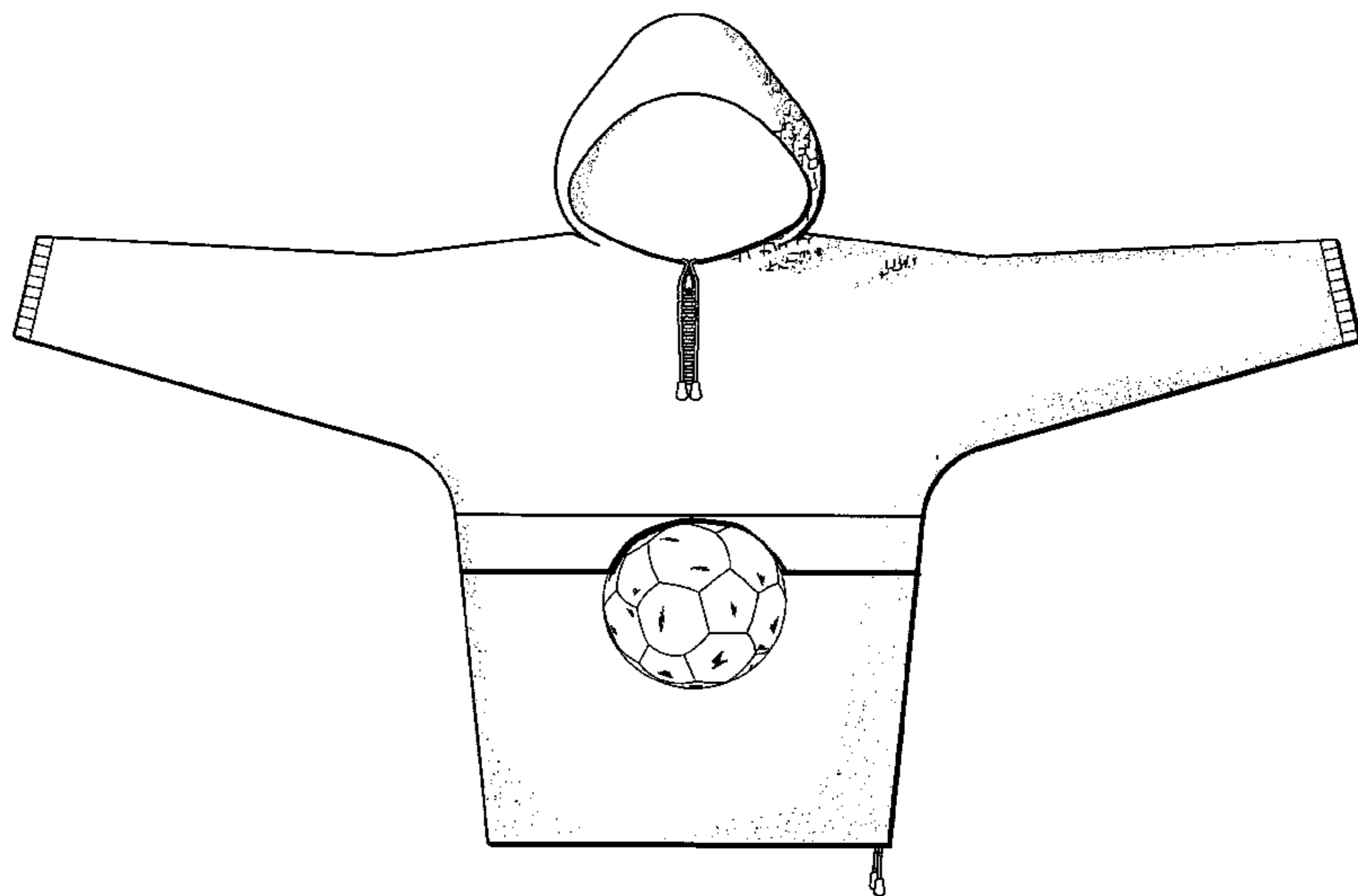
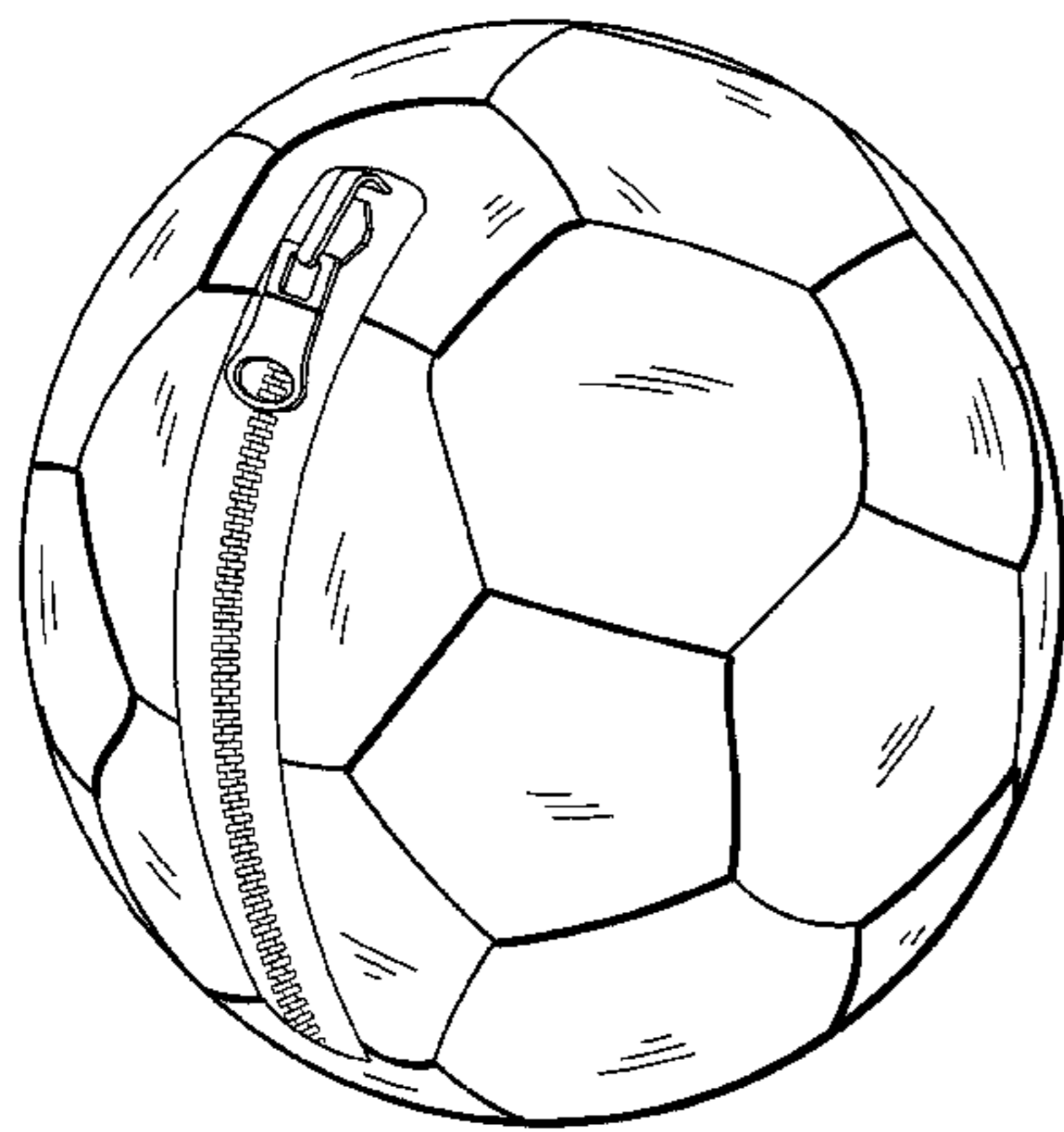




FIG. 1

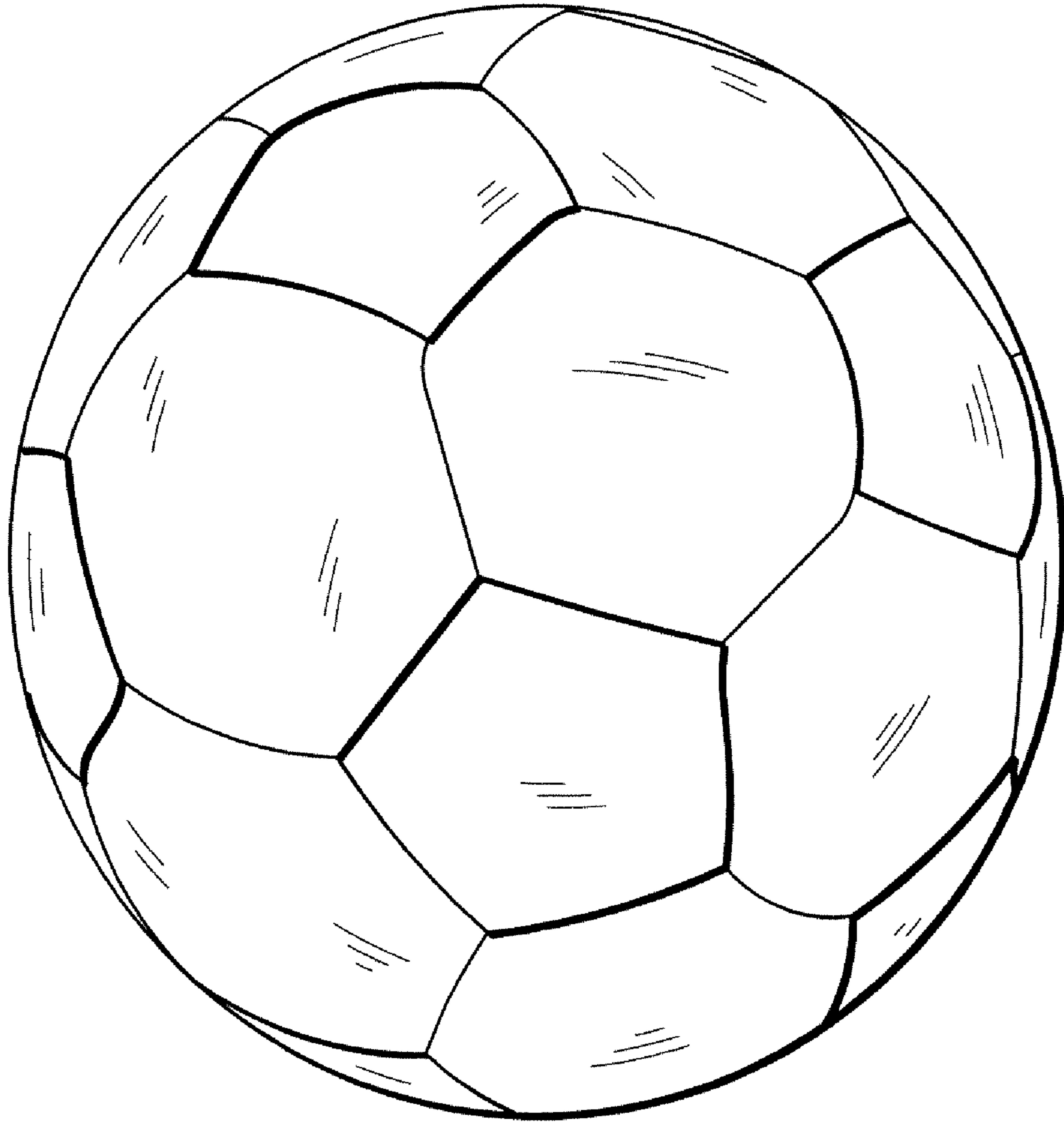


FIG. 2

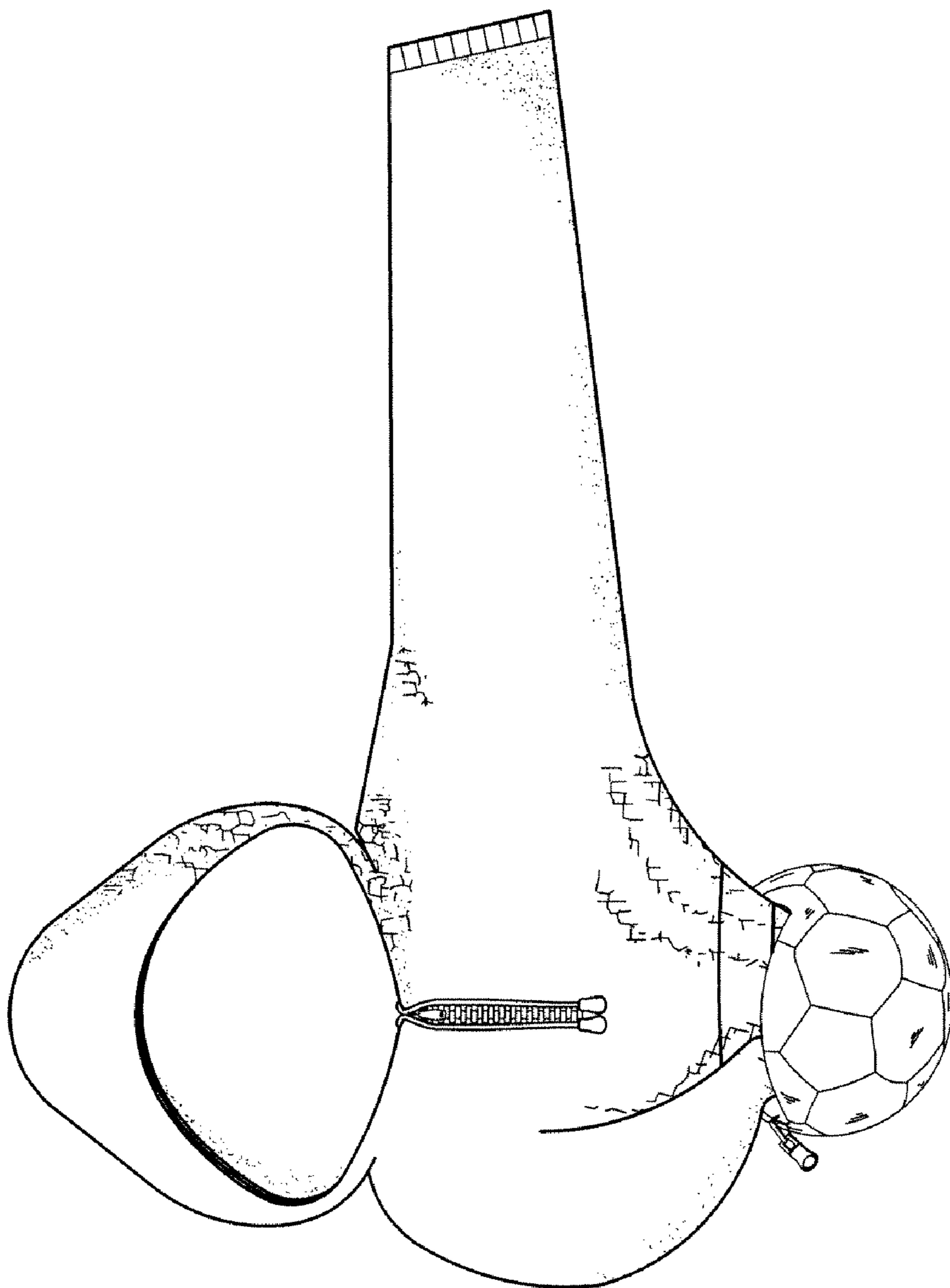


FIG. 3

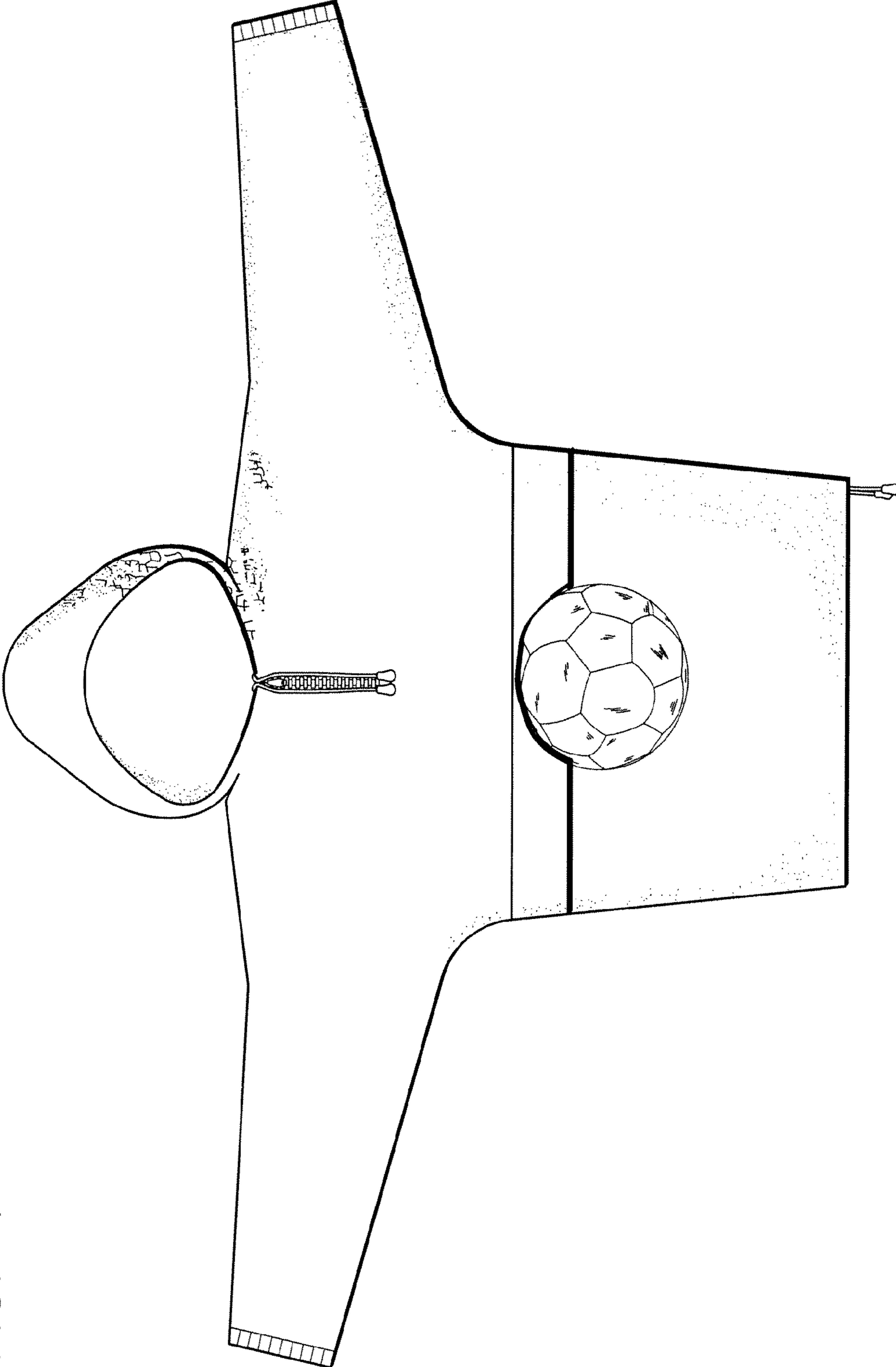


FIG. 4

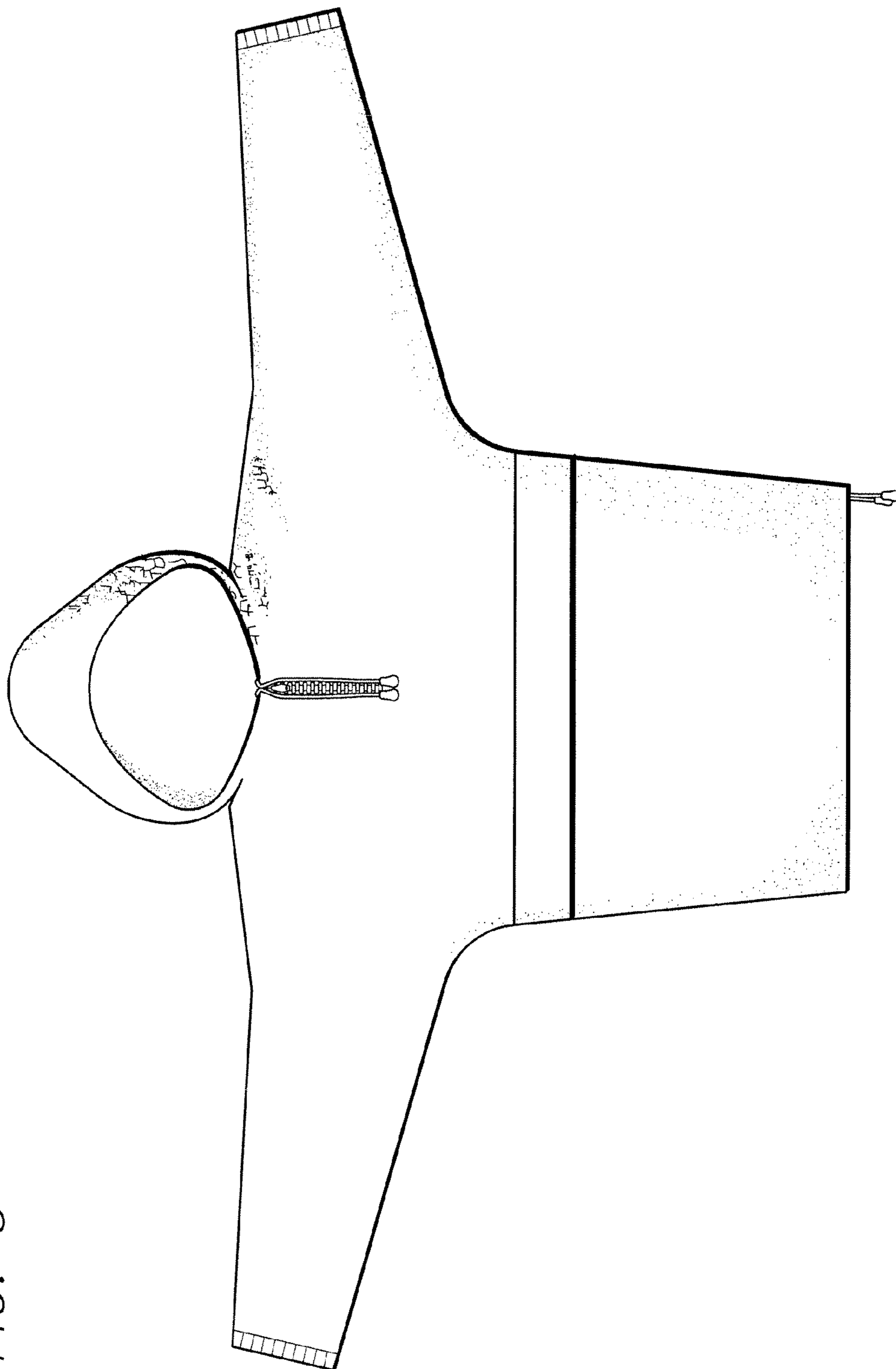


FIG. 5

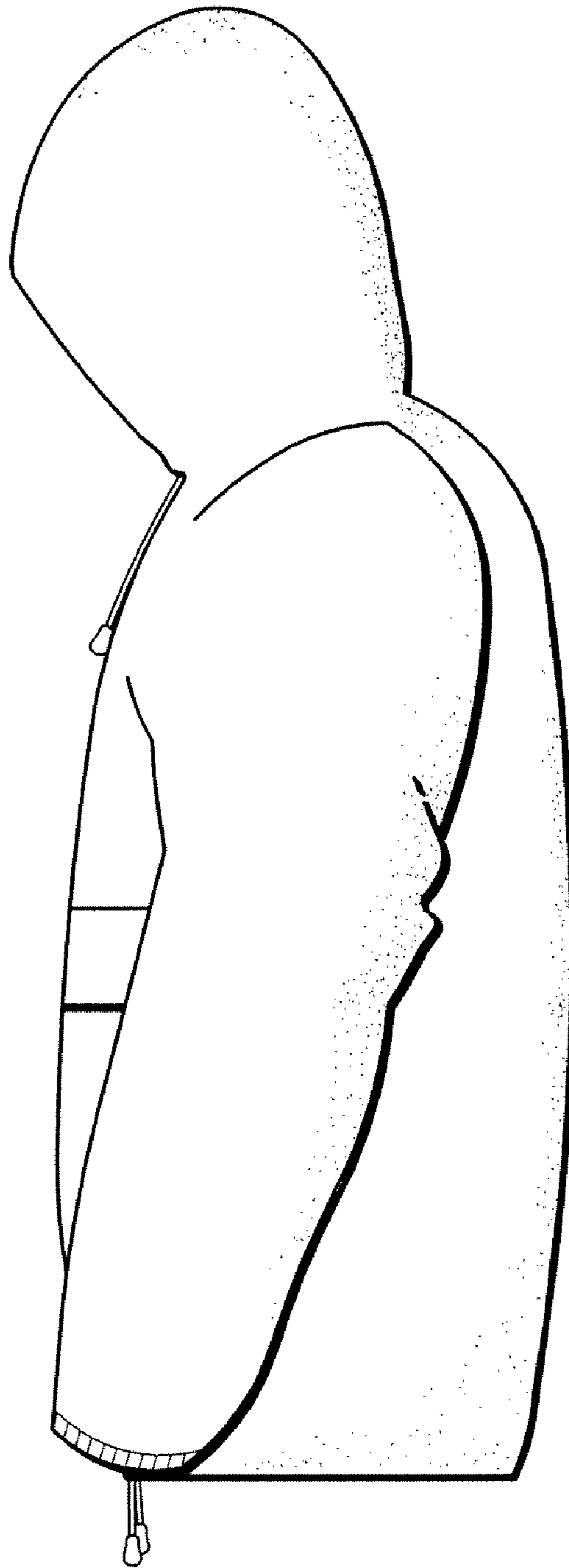


FIG. 6

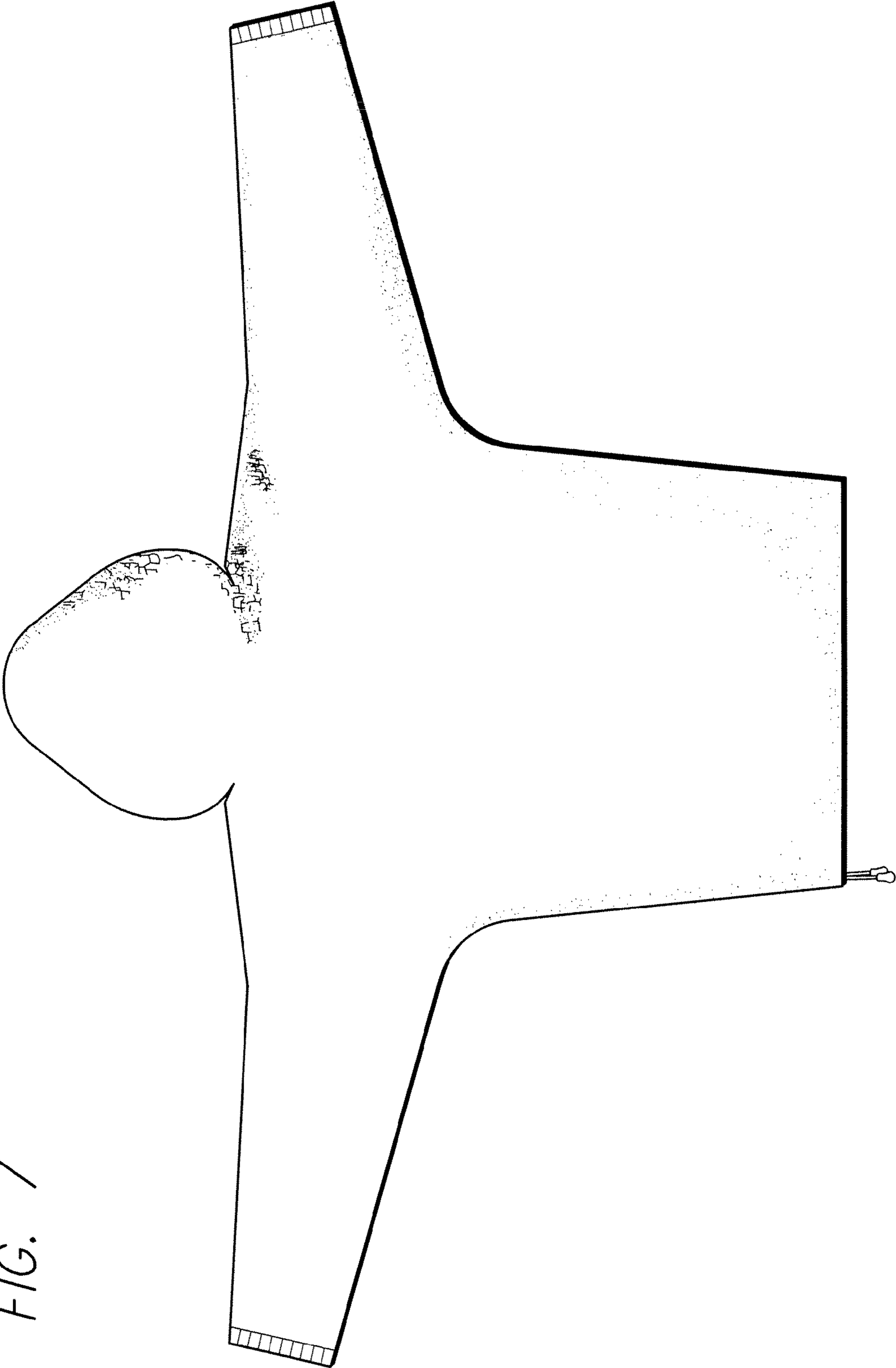


FIG. 7

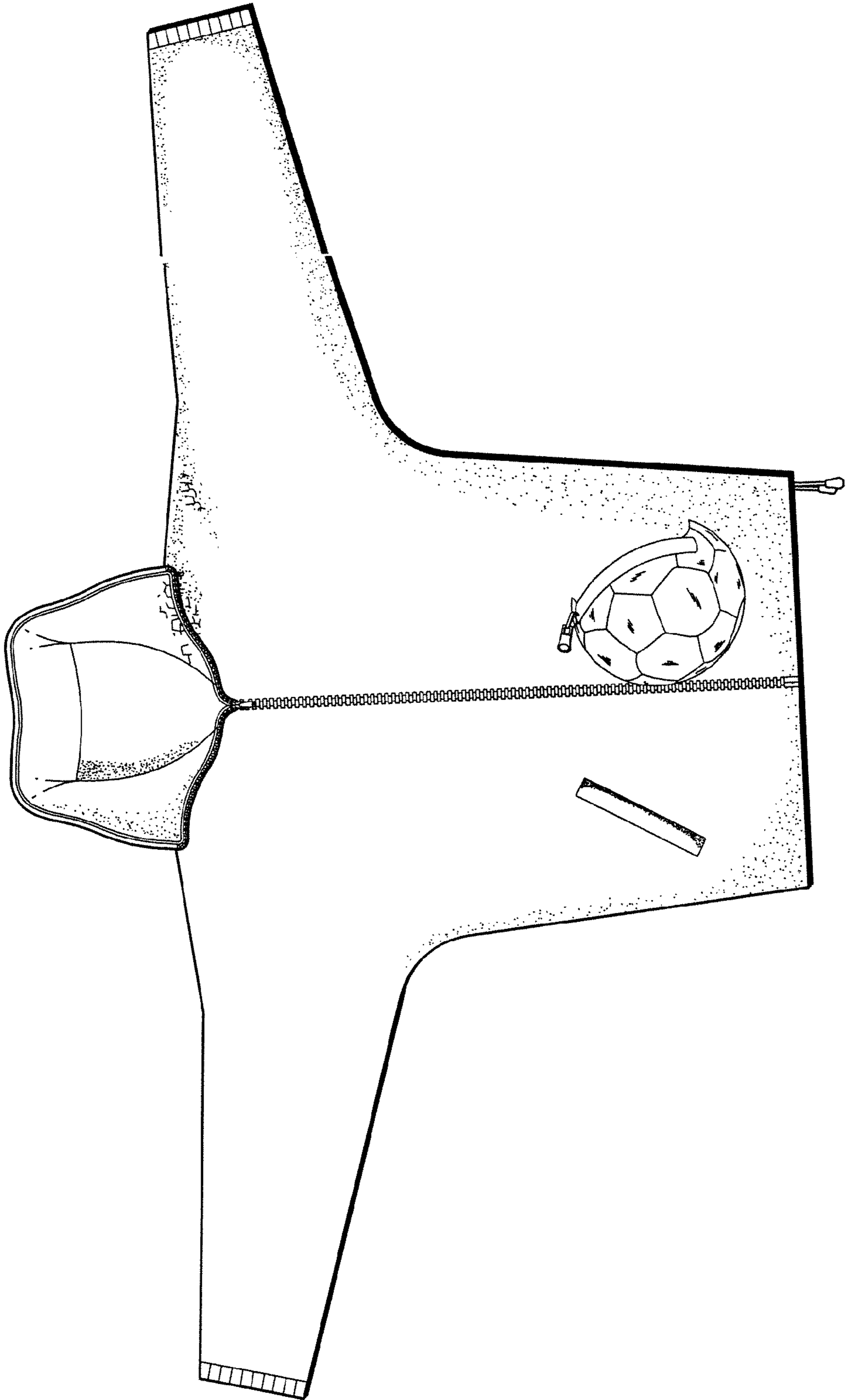


FIG. 8