



US00D591026S

(12) **United States Design Patent**
Madsen et al.

(10) **Patent No.:** **US D591,026 S**
(45) **Date of Patent:** **** Apr. 28, 2009**

(54) **EDIBLE FRUIT PRODUCT IN THE SHAPE OF A ROCKETSHIP**

(75) Inventors: **John Alan Madsen**, Kelowna (CA);
Darryl Allan Moore, Kelowna (CA);
Michael Murray Pozzo, Kelowna (CA)

(73) Assignee: **Sun-Rype Products Ltd.**, Kelowna,
British Columbia (CA)

(**) Term: **14 Years**

(21) Appl. No.: **29/303,426**

(22) Filed: **Feb. 8, 2008**

(30) **Foreign Application Priority Data**

Aug. 30, 2007 (CA) 122078

(51) **LOC (9) Cl.** **01-01**

(52) **U.S. Cl.** **D1/106**

(58) **Field of Classification Search** D1/106-115,
D1/126-129, 199; D28/8.2; D11/48, 81,
D11/99, 133, 57; 426/102-104, 129, 138,
426/282, 143-144, 390-391, 616, 448, 516,
426/660, 383, 512, 808

See application file for complete search history.

(56) **References Cited**

U.S. PATENT DOCUMENTS

D322,148 S * 12/1991 Wanvig et al. D1/113
D322,149 S * 12/1991 Wanvig et al. D1/113
D322,150 S * 12/1991 Wanvig et al. D1/113
D322,151 S * 12/1991 Wanvig et al. D1/113
D323,054 S * 1/1992 Risom D1/113
D325,069 S * 3/1992 Gaury D23/207
D327,160 S * 6/1992 Hertenberg et al. D1/113

6,368,646 B1 * 4/2002 Monow et al. 426/115
D489,511 S * 5/2004 Creo D1/113
2008/0020100 A1 1/2008 Madsen et al.
2008/0020101 A1 1/2008 Madsen et al.

OTHER PUBLICATIONS

U.S. Appl. No. 29/263,395, filed Jul. 20, 2006, Madsen et al.
U.S. Appl. No. 29/303,420, filed Feb. 8, 2008, Madsen et al.
U.S. Appl. No. 29/303,421, filed Feb. 8, 2008, Madsen et al.
U.S. Appl. No. 29/303,425, filed Feb. 8, 2008, Madsen et al.
U.S. Appl. No. 29/303,432, filed Feb. 8, 2008, Madsen et al.
U.S. Appl. No. 29/303,433, filed Feb. 8, 2008, Madsen et al.
U.S. Appl. No. 29/303,436, filed Feb. 8, 2008, Madsen et al.
U.S. Appl. No. 29/303,447, filed Feb. 8, 2008, Madsen et al.

* cited by examiner

Primary Examiner—Cathron C Brooks

Assistant Examiner—Barbara Fox

(74) *Attorney, Agent, or Firm*—Klarquist Sparkman, LLP

(57) **CLAIM**

We claim the ornamental design for an edible fruit product in the shape of a rocketship, as shown and described.

DESCRIPTION

FIG. 1 is a perspective view of the edible fruit product in the shape of a rocketship, showing our new design.

FIG. 2 is a top plan view of the fruit product of FIG. 1.

FIG. 3 is a front side view of the fruit product of FIG. 1.

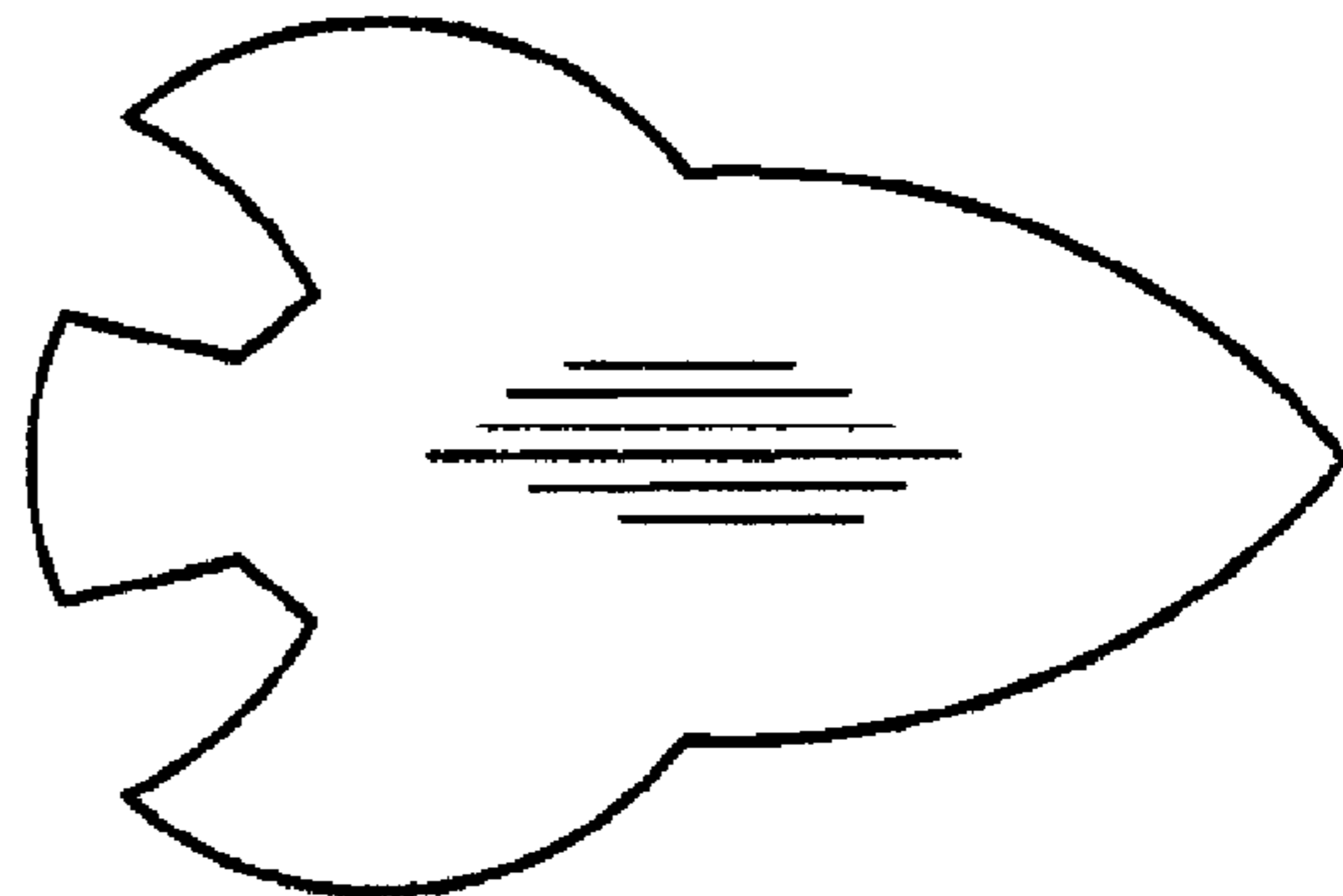
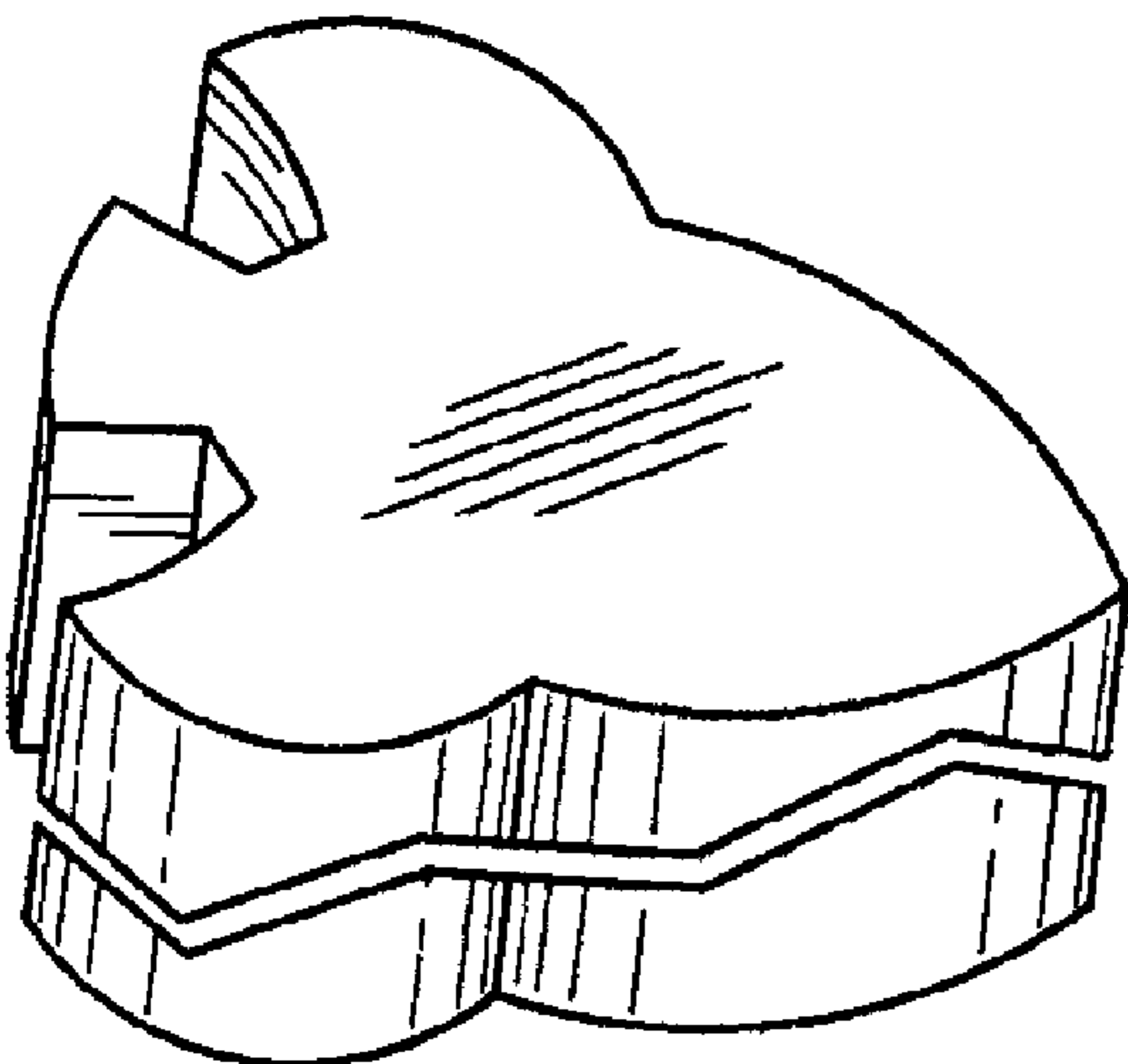
FIG. 4 is a rear side view of the fruit product of FIG. 1.

FIG. 5 is a left side view of the fruit product of FIG. 1; and,

FIG. 6 is a right side view of the fruit product of FIG. 1.

The fruit product is shown broken apart to indicate that no specific thickness is claimed.

1 Claim, 1 Drawing Sheet



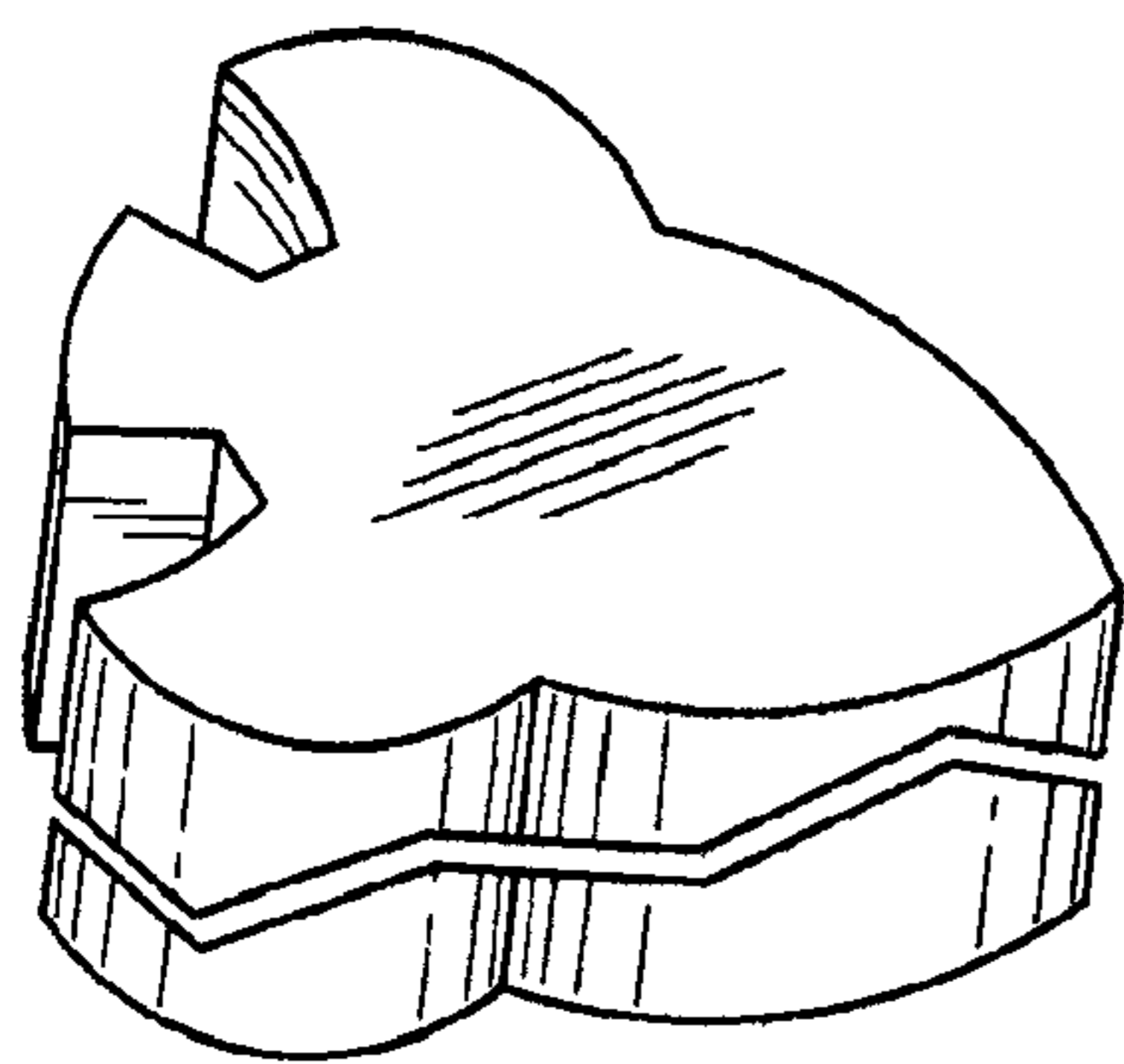


FIG. 1

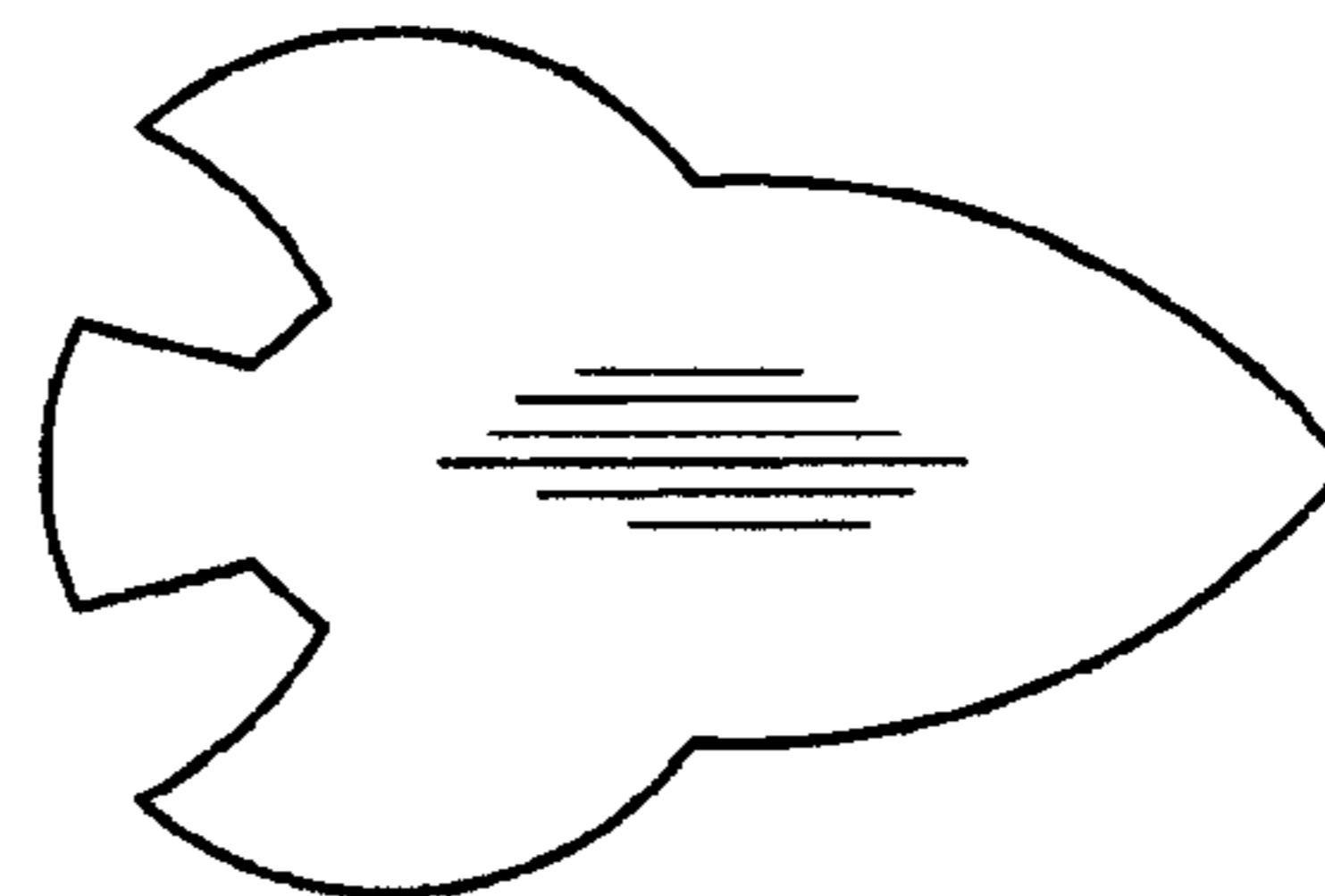


FIG. 2

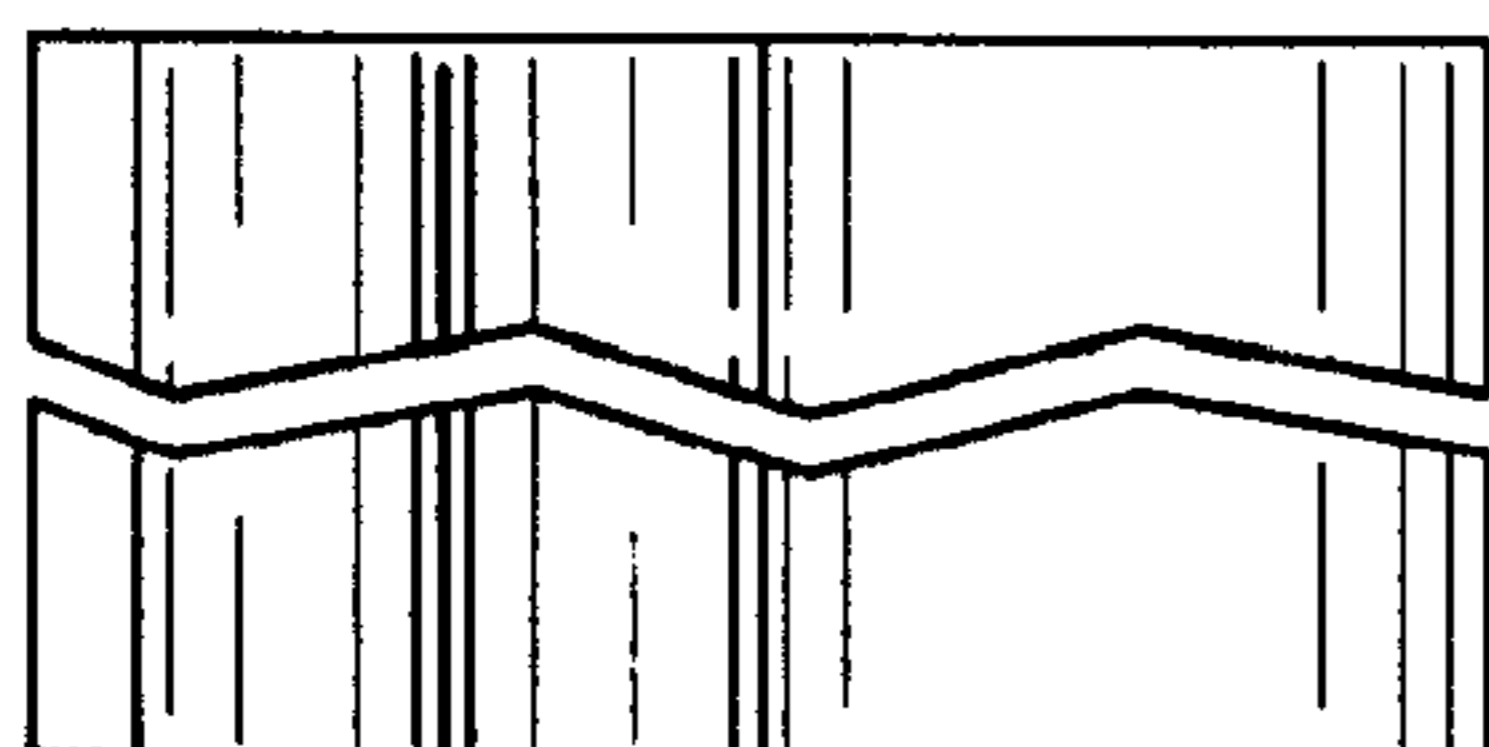


FIG. 3

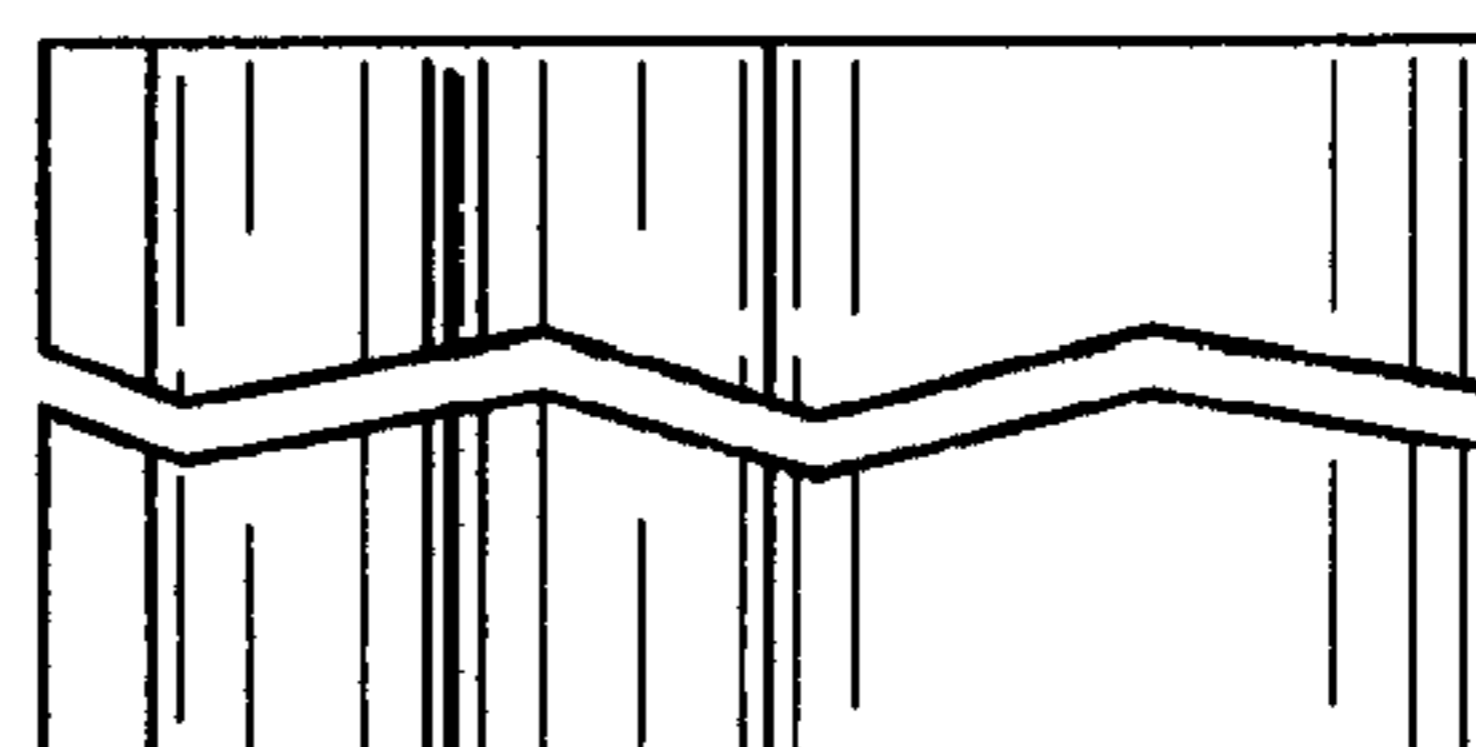


FIG. 4

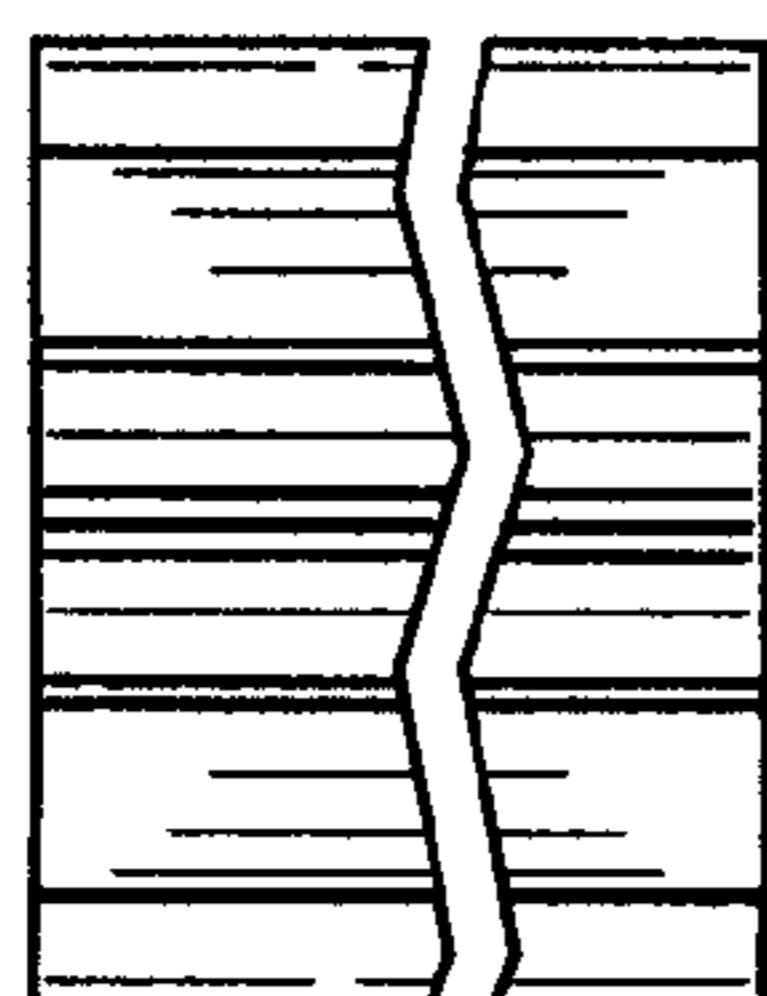


FIG. 5

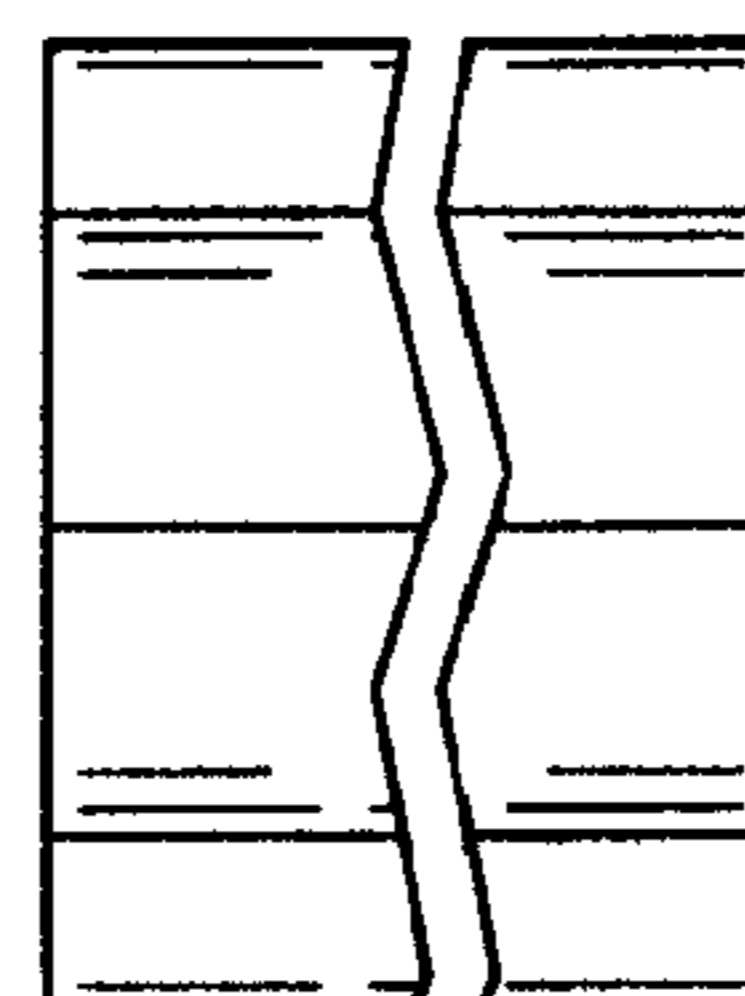


FIG. 6