

US00D591022S

(12) **United States Design Patent**
Zimmerman

(10) **Patent No.:** **US D591,022 S**
(45) **Date of Patent:** **** Apr. 21, 2009**

- (54) **WHEELBARROW EXTENSION**
- (75) Inventor: **Felton Zimmerman**, Tampa, FL (US)
- (73) Assignee: **Zimmco, Inc.**, Tampa, FL (US)
- (**) Term: **14 Years**
- (21) Appl. No.: **29/272,863**
- (22) Filed: **Feb. 20, 2007**

Related U.S. Application Data

- (63) Continuation-in-part of application No. 10/348,679, filed on Jan. 22, 2003, now Pat. No. 6,886,838, and a continuation-in-part of application No. 11/059,267, filed on Feb. 16, 2005, now Pat. No. 7,296,807.

- (51) **LOC (9) Cl.** **12-02**
- (52) **U.S. Cl.** **D34/27**
- (58) **Field of Classification Search** D34/12-27;
D8/373; 280/47.131, 47.17, 47.18, 47.19,
280/47.26, 47.33, 40, 655, 656, 767, 47,
280/31, 30, 23; 298/3
See application file for complete search history.

(56) **References Cited**

U.S. PATENT DOCUMENTS

- 1,264,048 A * 4/1918 Forster 280/47.33
- 1,410,174 A * 3/1922 Eberle 280/47.22
- 1,578,213 A * 3/1926 Smith 280/47.31
- 1,612,400 A * 12/1926 Thomson 280/47.33
- 1,622,354 A * 3/1927 Smith 280/47.31
- 1,636,682 A * 7/1927 Carlson 280/47.12
- 2,061,327 A * 11/1936 Mosel 298/2

- 2,544,505 A * 3/1951 Kronhaus 414/554
- 2,949,209 A * 8/1960 Schott 220/630
- 3,552,762 A * 1/1971 Garber 280/47.33
- D404,883 S * 1/1999 Shuchart et al. D34/27
- D408,607 S * 4/1999 Shuchart et al. D34/27
- D408,955 S * 4/1999 Shuchart et al. D34/27
- 5,924,708 A * 7/1999 Bisailon et al. 280/47.26
- D456,971 S * 5/2002 Abel D34/16
- 6,715,775 B2 * 4/2004 Abel 280/47.31
- 6,880,852 B2 * 4/2005 Lim 280/653
- D530,879 S * 10/2006 Iturbide Jimenez et al. .. D34/27
- 7,331,587 B1 * 2/2008 Hyp et al. 280/47.3
- 2002/0130491 A1 * 9/2002 Abel 280/653

* cited by examiner

Primary Examiner—Cynthia E Ramirez

(74) *Attorney, Agent, or Firm*—Philip M. Weiss; Weiss & Weiss

(57) **CLAIM**

The ornamental design for a wheelbarrow extension, as shown and described.

DESCRIPTION

- FIG. 1 is a side elevational view of a wheelbarrow extension showing our new design;
- FIG. 2 is a front perspective view thereof;
- FIG. 3 is a side elevational view thereof;
- FIG. 4 is a front elevational view thereof;
- FIG. 5 is a top plan view thereof;
- FIG. 6 is a rear elevational view thereof; and,
- FIG. 7 is a bottom plan view thereof.

1 Claim, 1 Drawing Sheet

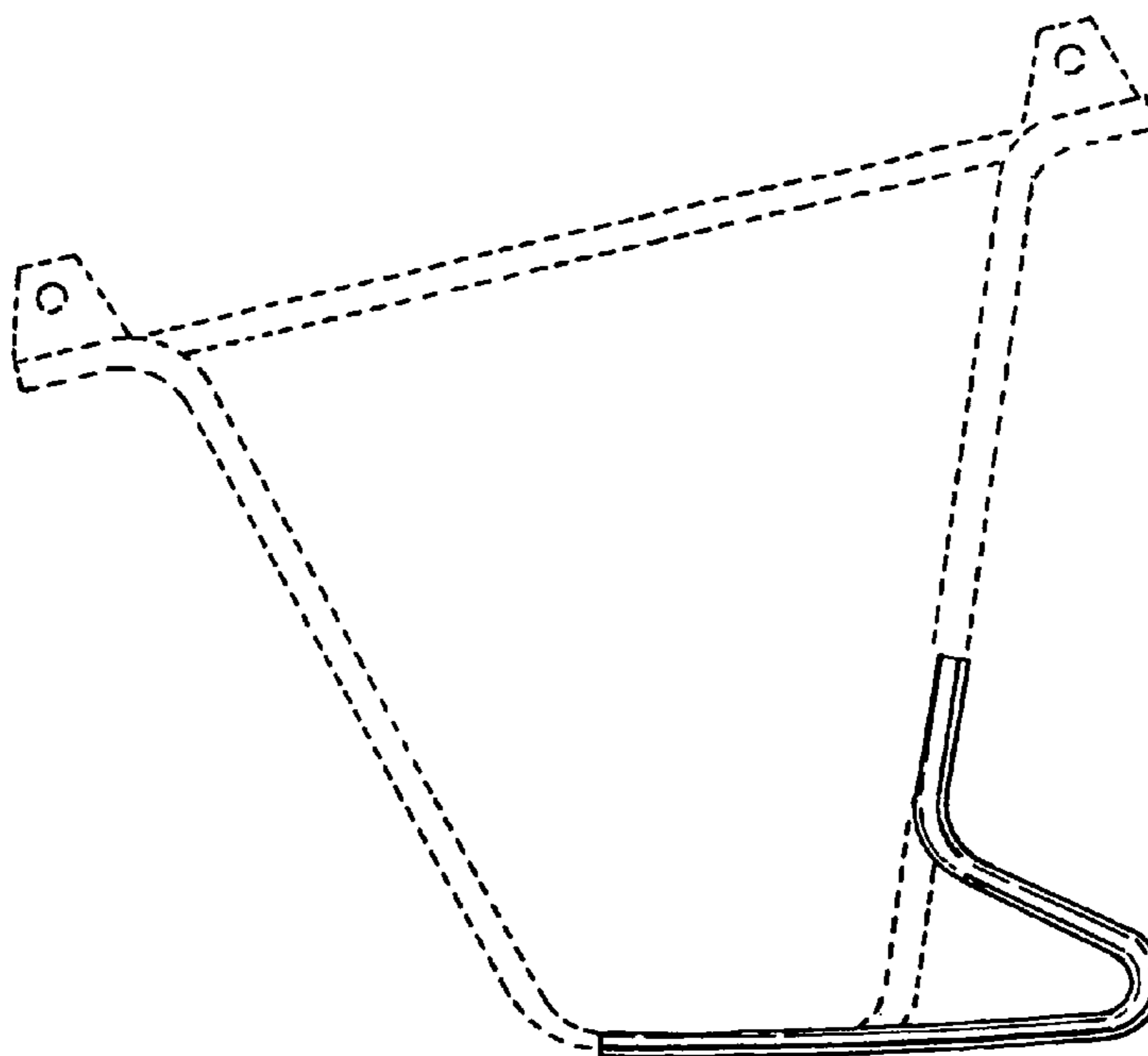


Fig. 1

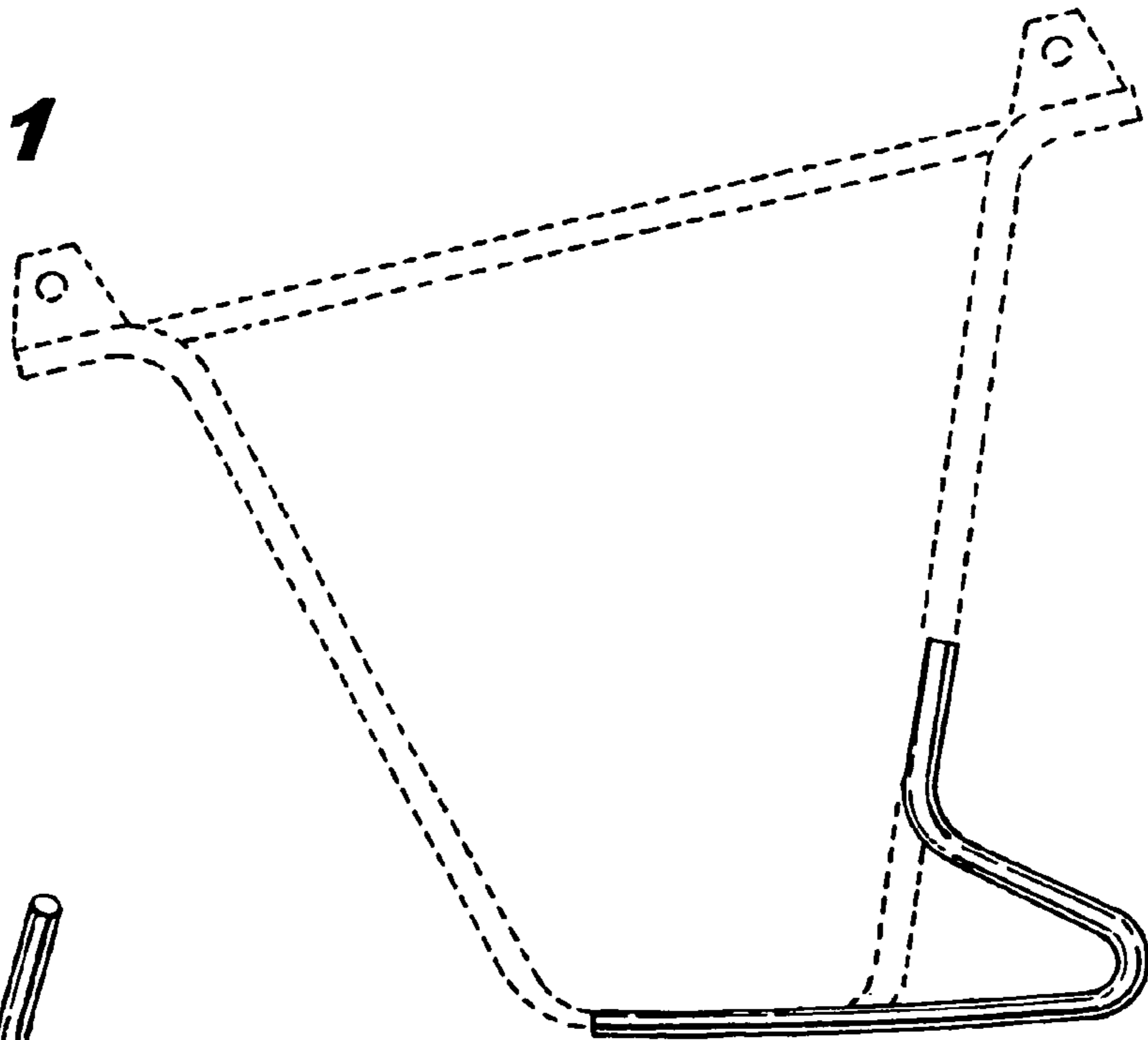


Fig. 2

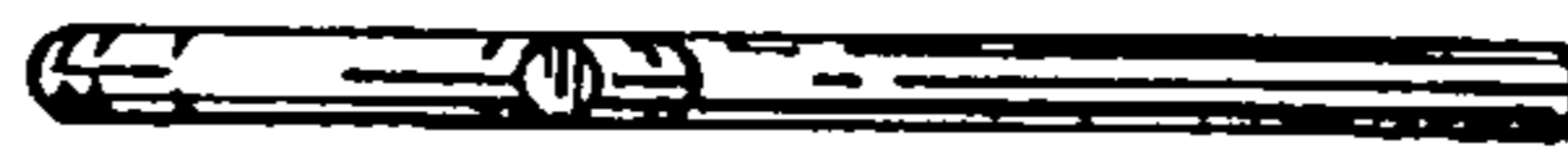
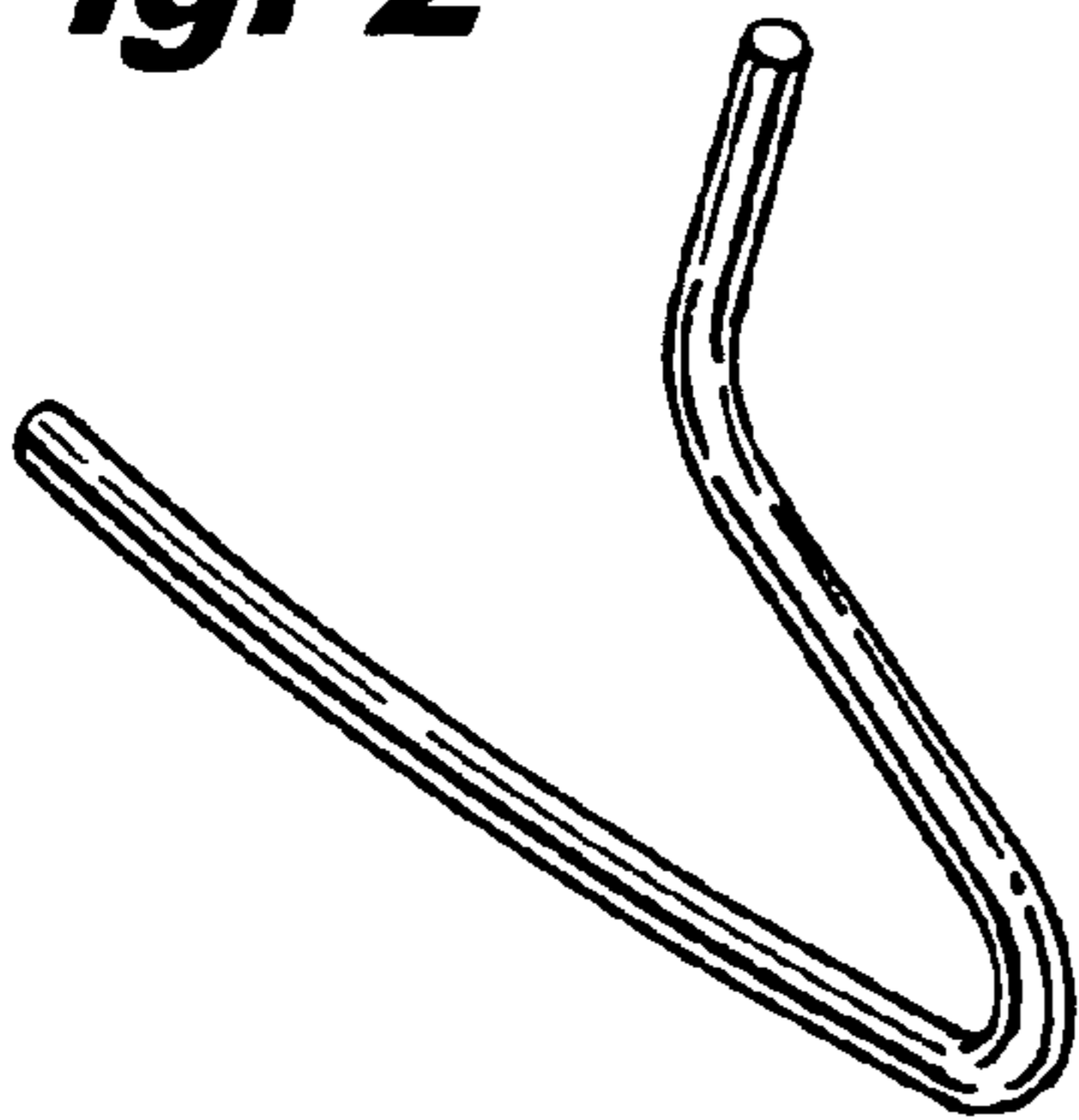


Fig. 5



Fig. 4

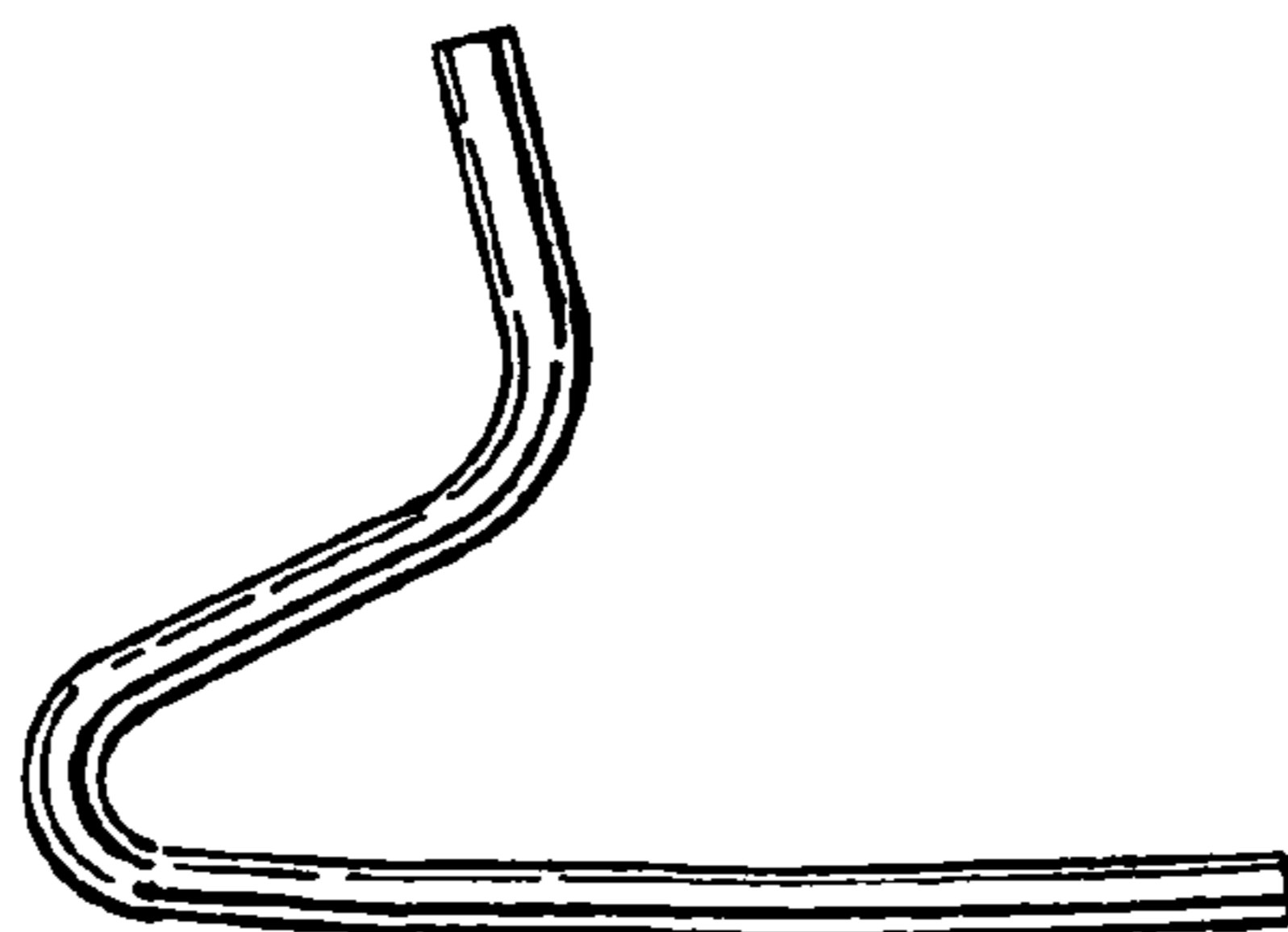


Fig. 3



Fig. 6

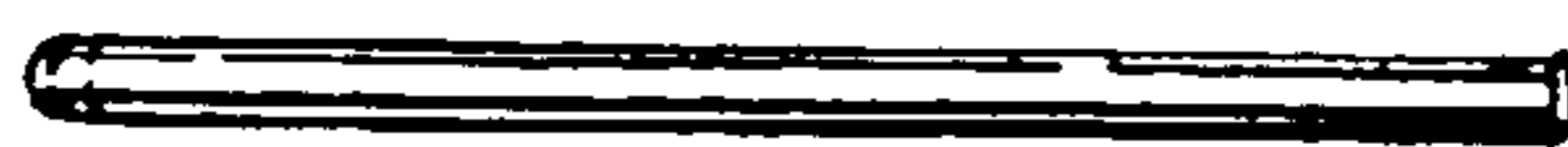


Fig. 7