

US00D591019S

(12) **United States Design Patent**  
**Perry Zang Wentz Pho**

(10) **Patent No.:** **US D591,019 S**

(45) **Date of Patent:** **\*\* Apr. 21, 2009**

(54) **MOP HEAD**

6,953,299 B2 \* 10/2005 Wang et al. .... 401/279

\* cited by examiner

(75) Inventor: **Ashley Perry Zang Wentz Pho**,  
Leesburg, VA (US)

*Primary Examiner*—Pamela J Burgess

(73) Assignee: **Rubbermaid Commercial Products, LLC**, Winchester, VA (US)

(74) *Attorney, Agent, or Firm*—Dennis J. Williamson; Moore & Van Allen, PLLC

(\*\*) Term: **14 Years**

(57) **CLAIM**

(21) Appl. No.: **29/324,162**

I claim the ornamental design for a mop head, as shown and described.

(22) Filed: **Sep. 8, 2008**

**DESCRIPTION**

(51) **LOC (9) Cl.** ..... **08-05**

FIG. 1 is a perspective view showing an embodiment of our new design for a mop head;

(52) **U.S. Cl.** ..... **D32/49**

FIG. 2 is a front view showing our new design shown in FIG. 1;

(58) **Field of Classification Search** ..... D32/49–52,  
D32/46–48; 401/15, 291, 278–279, 270–277,  
401/137–140, 37; 40/138–140

FIG. 3 is a back view showing our new design shown in FIG. 1;

See application file for complete search history.

FIG. 4 is a left side view showing our new design shown in FIG. 1;

(56) **References Cited**

**U.S. PATENT DOCUMENTS**

1,655,585	A *	1/1928	Wagner	.....	401/15
2,730,738	A *	1/1956	Humes	.....	15/24
D323,727	S *	2/1992	Re	.....	D32/51
D328,807	S *	8/1992	Millar	.....	D32/41
5,271,682	A *	12/1993	Realdon	.....	401/37
D386,851	S *	11/1997	Levine	.....	D32/40
D477,301	S *	7/2003	Hollinger	.....	D14/168
6,612,768	B2 *	9/2003	Zorzo	.....	401/138
6,644,877	B1 *	11/2003	Chen	.....	401/140
6,647,983	B2 *	11/2003	Smith et al.	.....	128/205.24

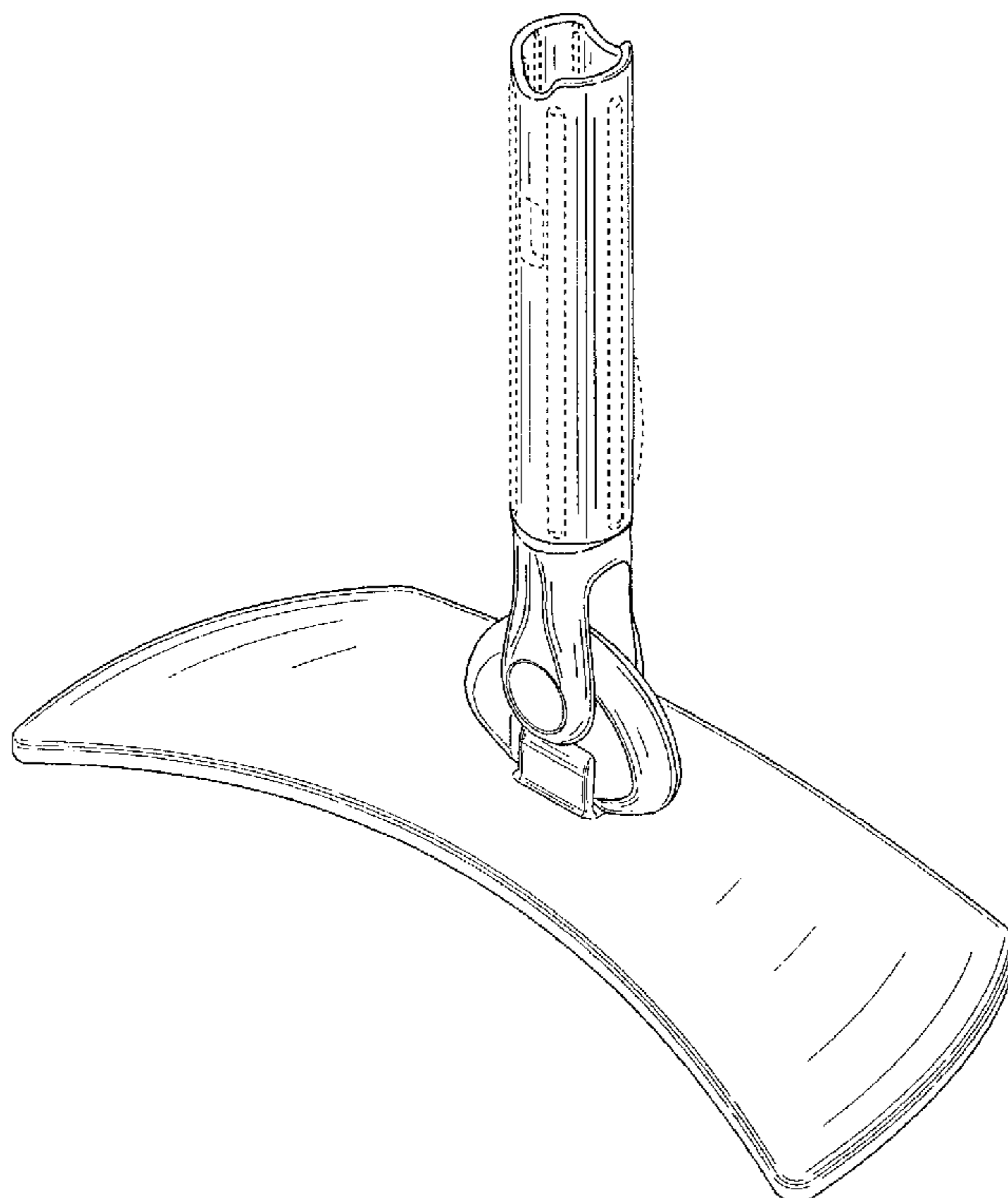
FIG. 5 is a right side view showing our new design shown in FIG. 1;

FIG. 6 is a top view showing our new design shown in FIG. 1; and,

FIG. 7 is a bottom view showing our new design shown in FIG. 1.

The portions shown in broken lines are not part of the claimed design but show the environment in which the design is associated.

**1 Claim, 7 Drawing Sheets**



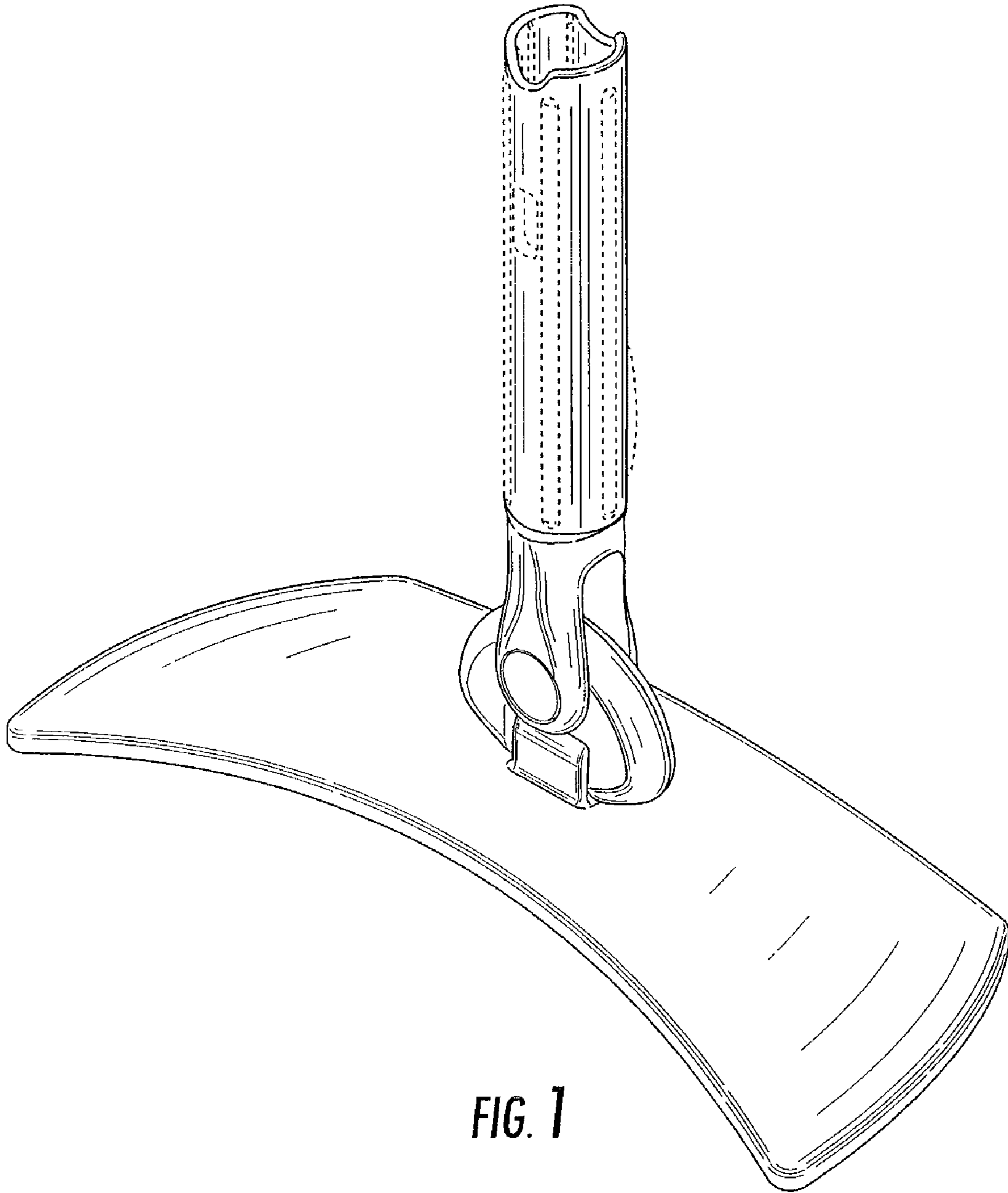


FIG. 1

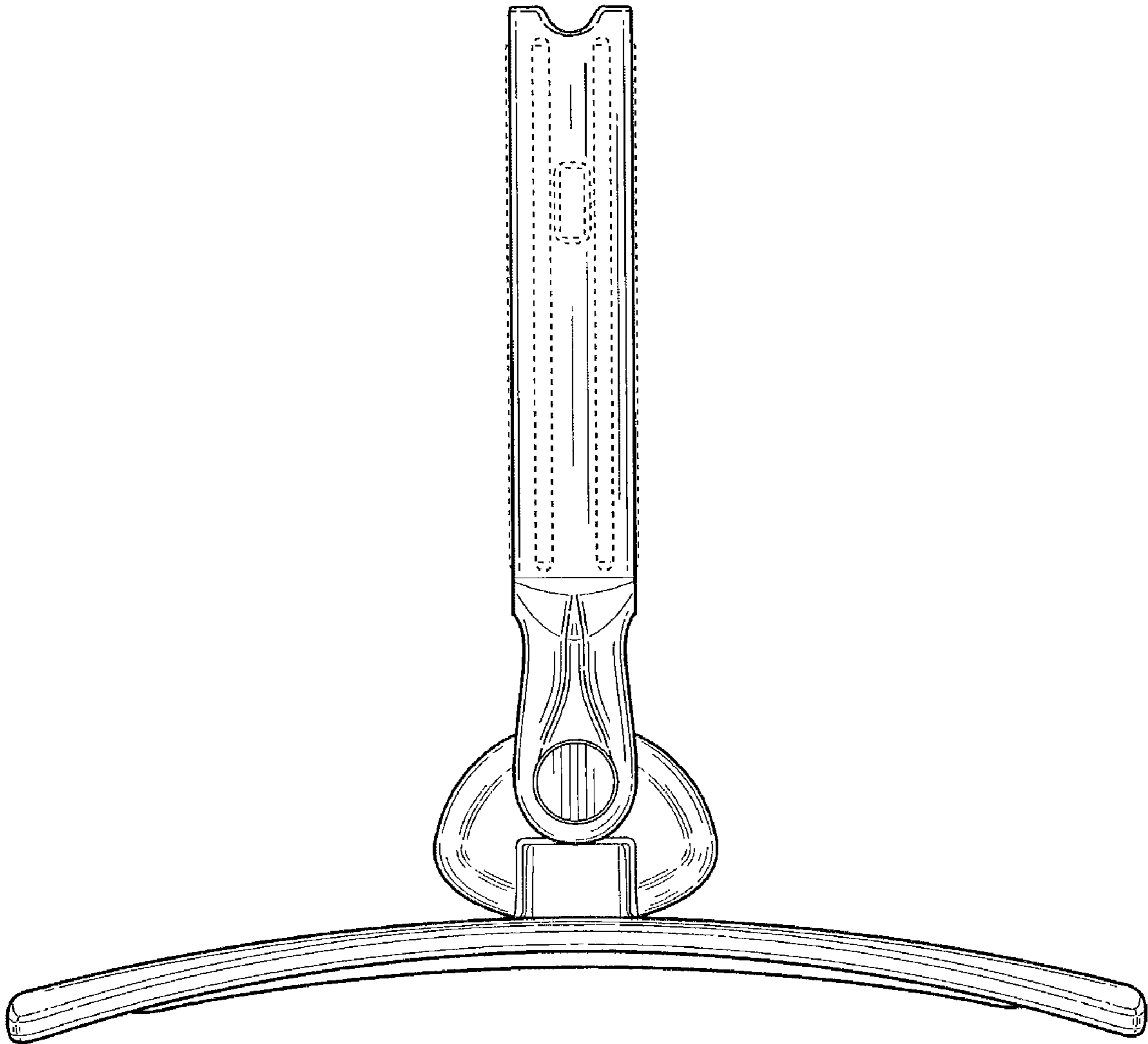


FIG. 2

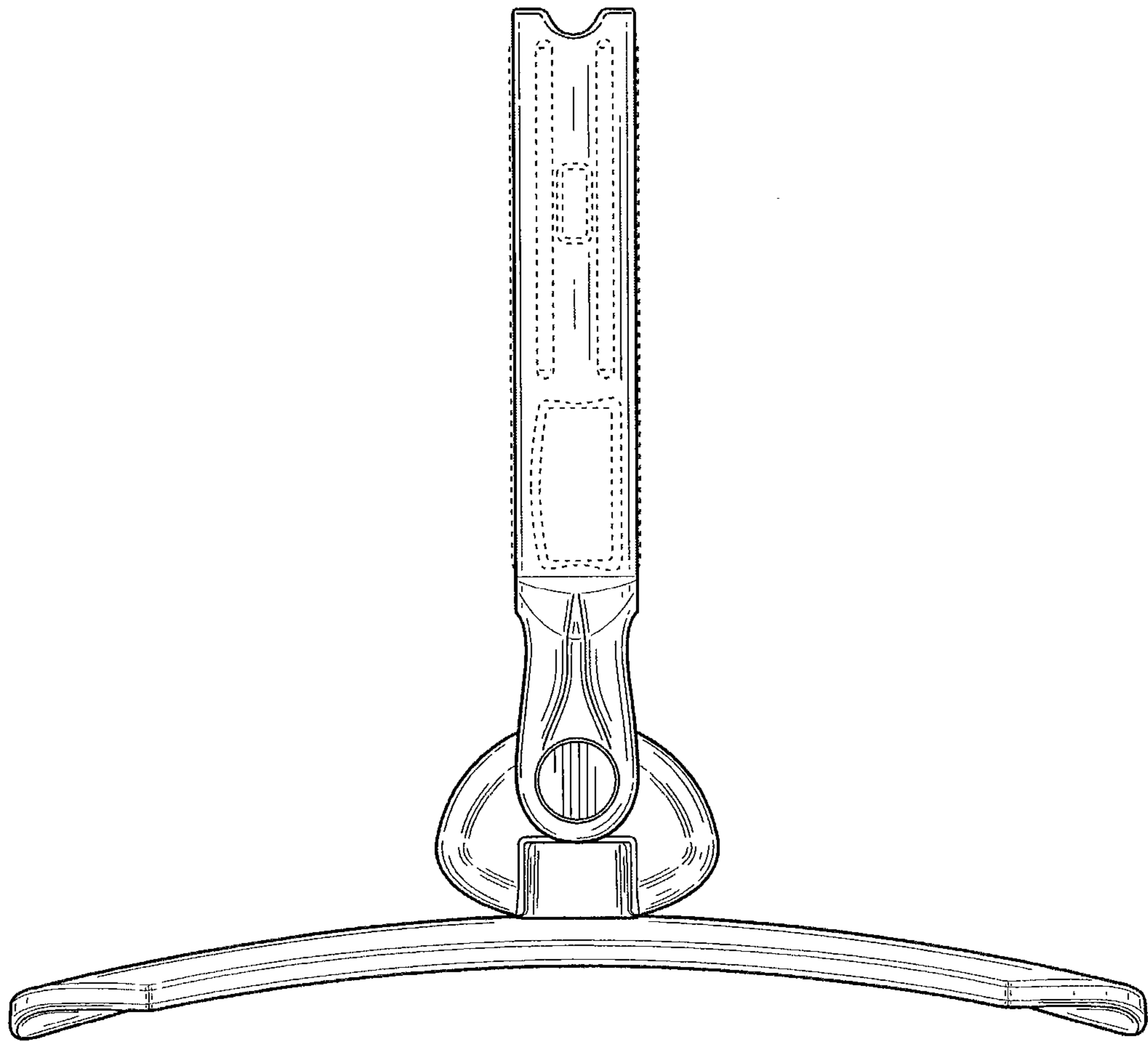
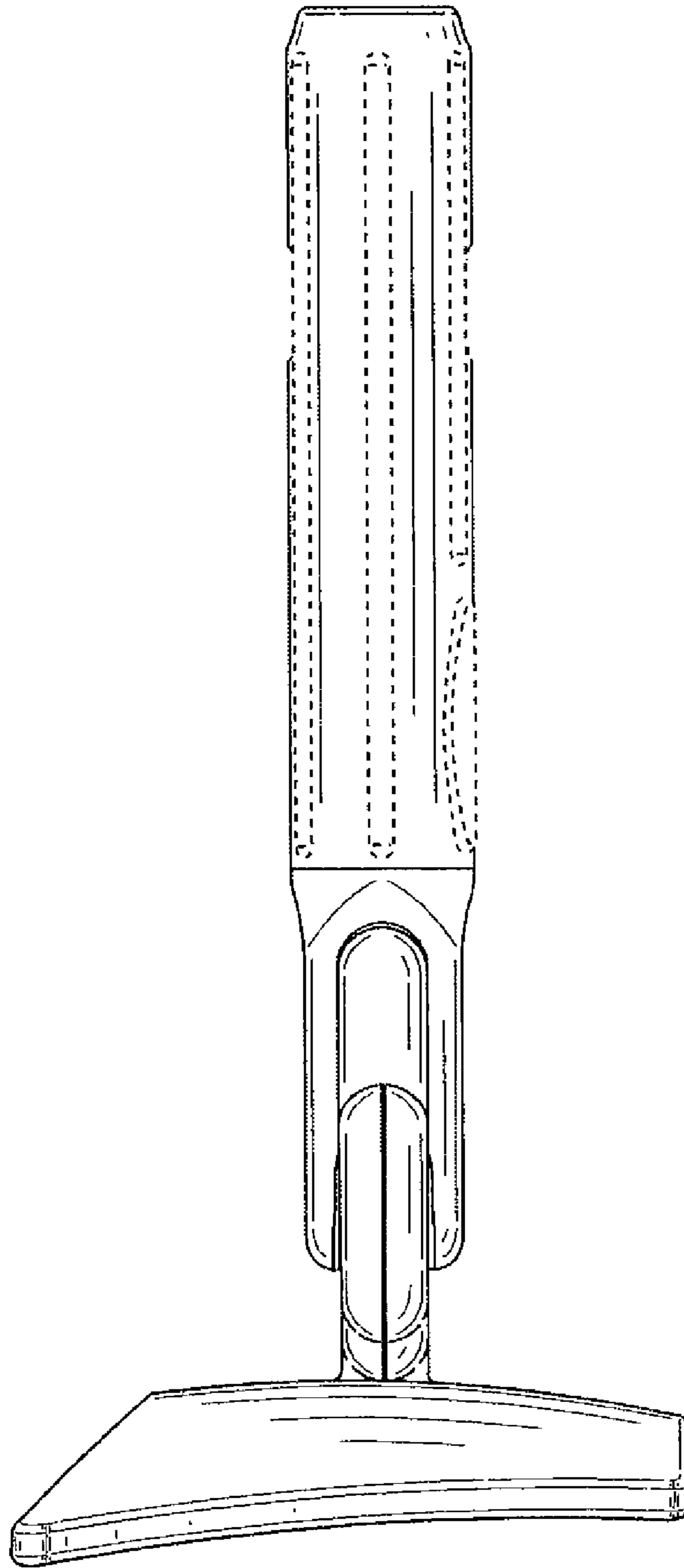
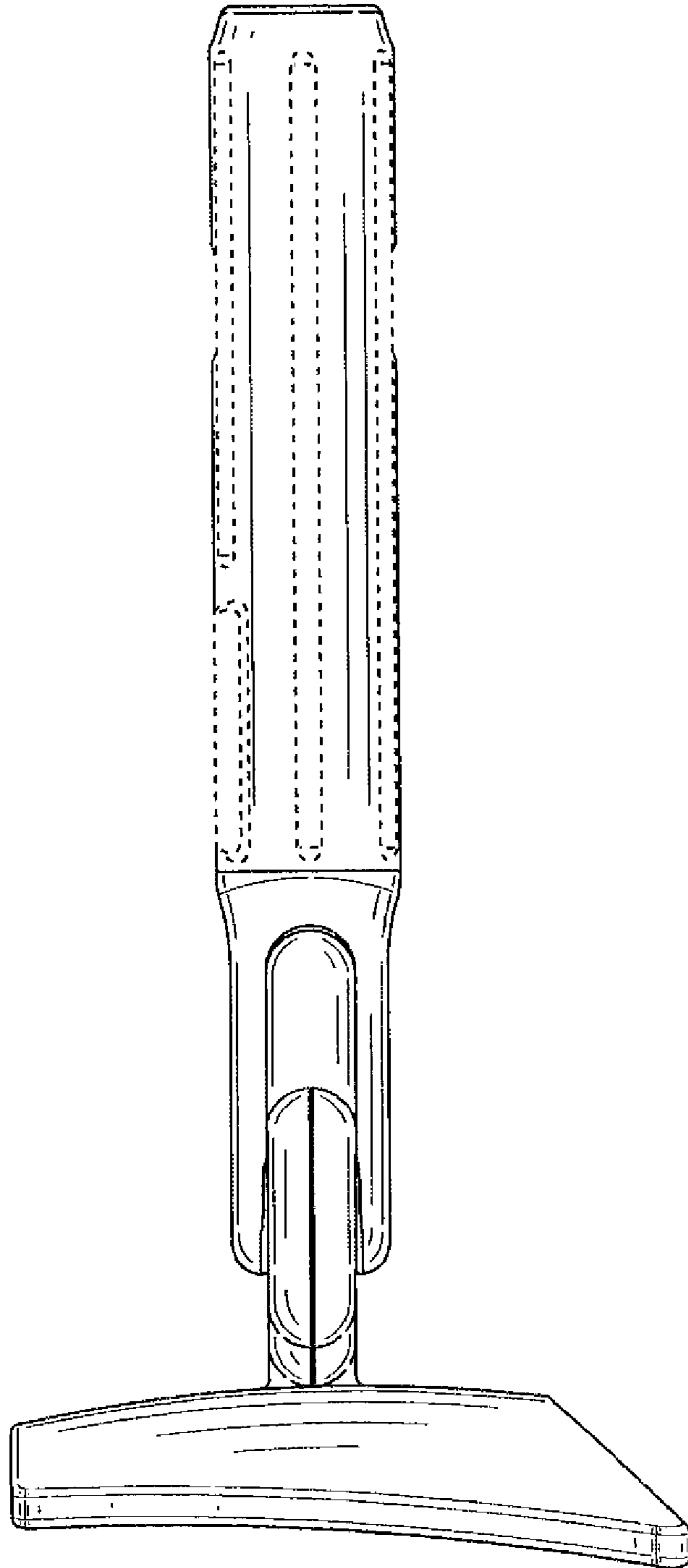


FIG. 3



**FIG. 4**



**FIG. 5**

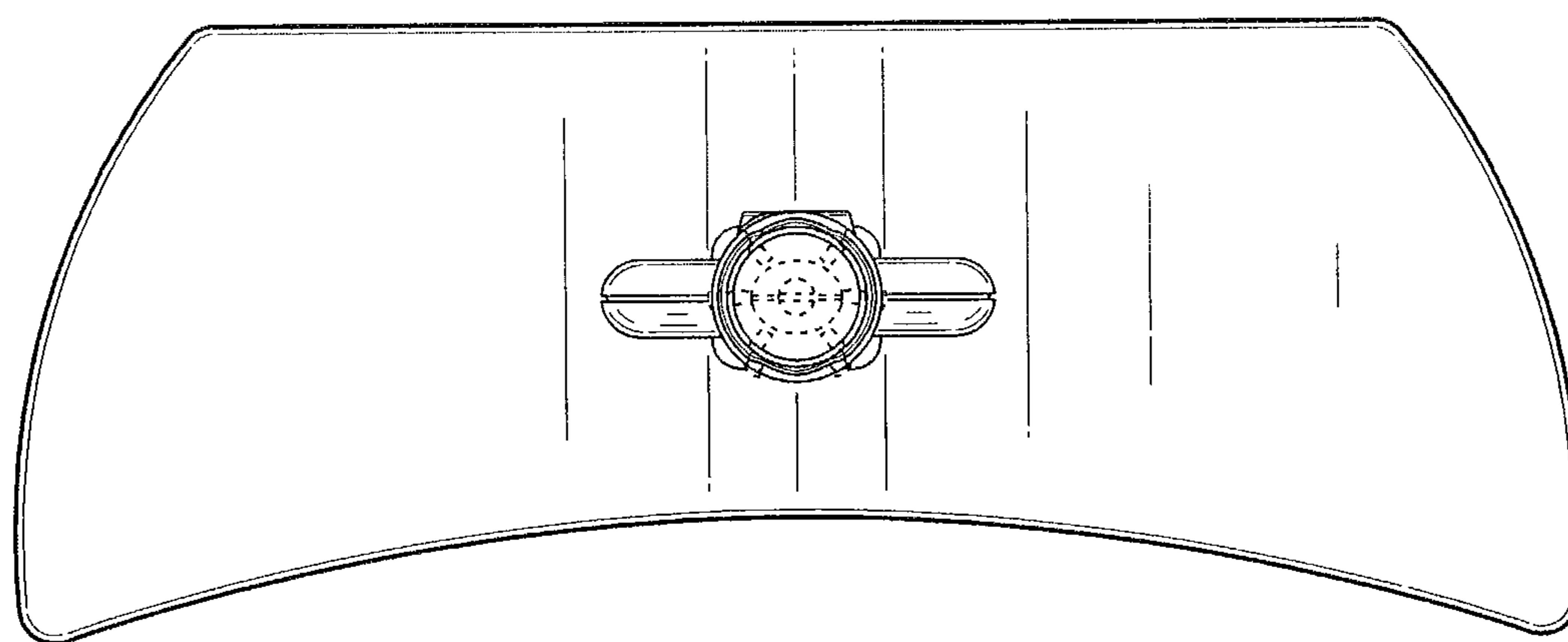


FIG. 6

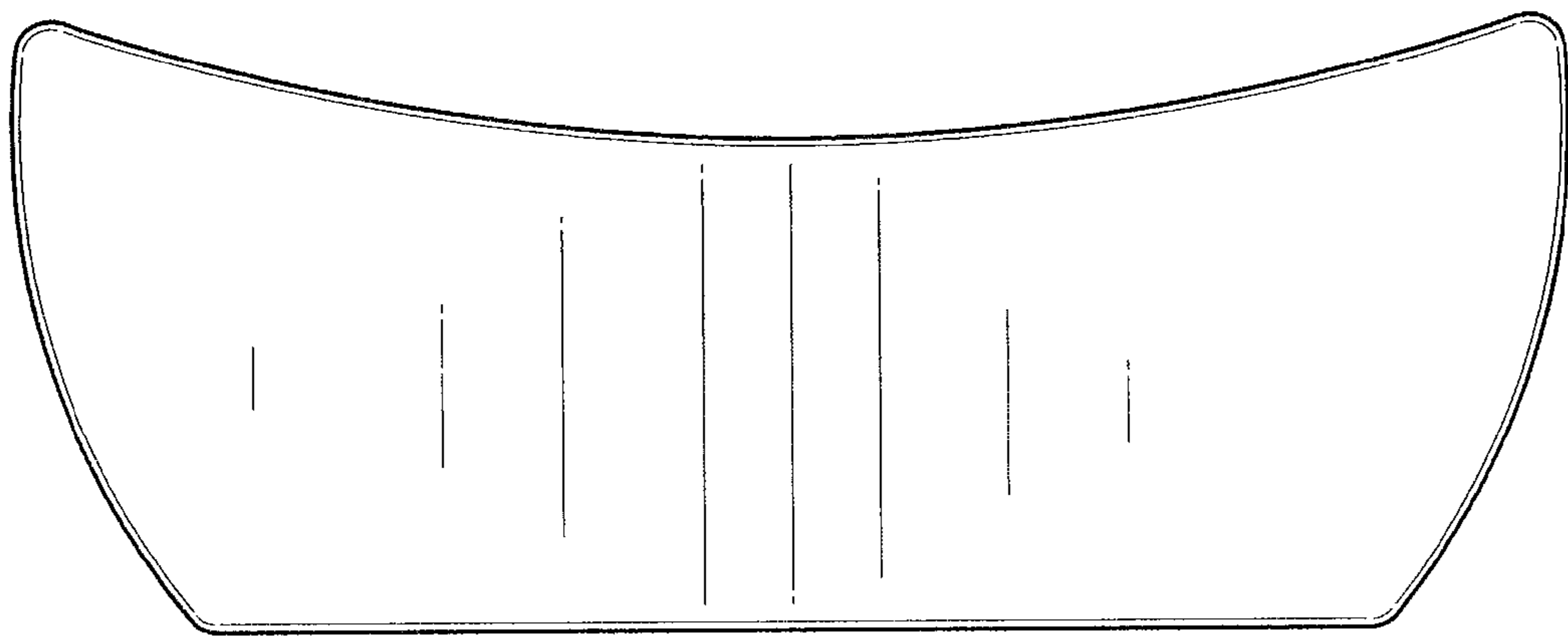


FIG. 7