



US00D591016S

(12) **United States Design Patent**  
**Dyson et al.**

(10) **Patent No.:** **US D591,016 S**  
(45) **Date of Patent:** **\*\* Apr. 21, 2009**

(54) **VACUUM CLEANER**

(75) Inventors: **James Dyson**, Gloucestershire (GB);  
**Alexander Stuart Knox**, Wiltshire  
(GB); **Tom Vallance Hamilton**  
**Crawford**, Bristol (GB)

(73) Assignee: **Dyson Limited**, Wiltshire (GB)

(\*\*) Term: **14 Years**

(21) Appl. No.: **29/300,869**

(22) Filed: **May 22, 2008**

(30) **Foreign Application Priority Data**

Nov. 23, 2007 (GB) ..... 4005377

(51) **LOC (9) Cl.** ..... **15-05**

(52) **U.S. Cl.** ..... **D32/22**

(58) **Field of Classification Search** ..... D32/22,  
D32/30-31; 15/320, 329, 335, 340.2, 347,  
15/350-353, 361, 363, 410, 412, 414, 327.1,  
15/327.2, 327.4, 327.6, 415.1, 411; 55/345,  
55/DIG. 3, 336, 337, 429, 343, 433, 418;  
95/271; 301/7, 63.101; 280/78, 47.31, 205  
See application file for complete search history.

(56) **References Cited**

**U.S. PATENT DOCUMENTS**

2,686,330	A	8/1954	Wales	
3,794,351	A	2/1974	Cudmore	
5,584,095	A	12/1996	Redding et al.	
D439,379	S *	3/2001	Gammack et al.	D32/22
D462,813	S *	9/2002	Nakano et al.	D32/22
D471,683	S	3/2003	Dyson et al.	
D475,820	S *	6/2003	Dyson et al.	D32/22
D494,718	S	8/2004	Rosenzweig et al.	
D494,719	S	8/2004	Rosenzweig et al.	
6,989,039	B2	1/2006	Vuijk	
D517,633	S	3/2006	Chen	
D517,757	S	3/2006	Santiago	
D520,692	S	5/2006	Leyden	

D533,695	S *	12/2006	Dyson et al.	D32/22
D534,324	S *	12/2006	Dyson et al.	D32/22
RE39,473	E	1/2007	Salo et al.	
D547,505	S	7/2007	Carr et al.	
D563,066	S	2/2008	Shevlin	
7,341,611	B2	3/2008	Greene et al.	
D565,815	S *	4/2008	Dyson et al.	D32/22
D570,561	S *	6/2008	Dyson et al.	D32/22
2005/0223519	A1	10/2005	Greene et al.	
2008/0222840	A1 *	9/2008	Worker et al.	15/415.1
2008/0244860	A1 *	10/2008	Gammack et al.	15/410
2008/0250602	A1 *	10/2008	Liddell	15/410
2008/0282497	A1	11/2008	Griffith et al.	

**OTHER PUBLICATIONS**

James Dyson et al. "Vacuum Cleaner Part," specification and drawings of related U.S. Appl. No. 29/300,868, filed May 22, 2008. 7 pages.

James Dyson et al. "Vacuum Cleaner Part-II," specification and drawings of related U.S. Appl. No. 29/300,874, filed May 22, 2008. 7 pages.

(Continued)

*Primary Examiner*—Ruth McInroy

(74) *Attorney, Agent, or Firm*—Morrison & Foerster LLP

(57) **CLAIM**

We claim the ornamental design for a vacuum cleaner, as shown and described.

**DESCRIPTION**

FIG. 1 is a perspective view of a vacuum cleaner showing our new design;

FIG. 2 is a plan view thereof from above;

FIG. 3 is a bottom view thereof;

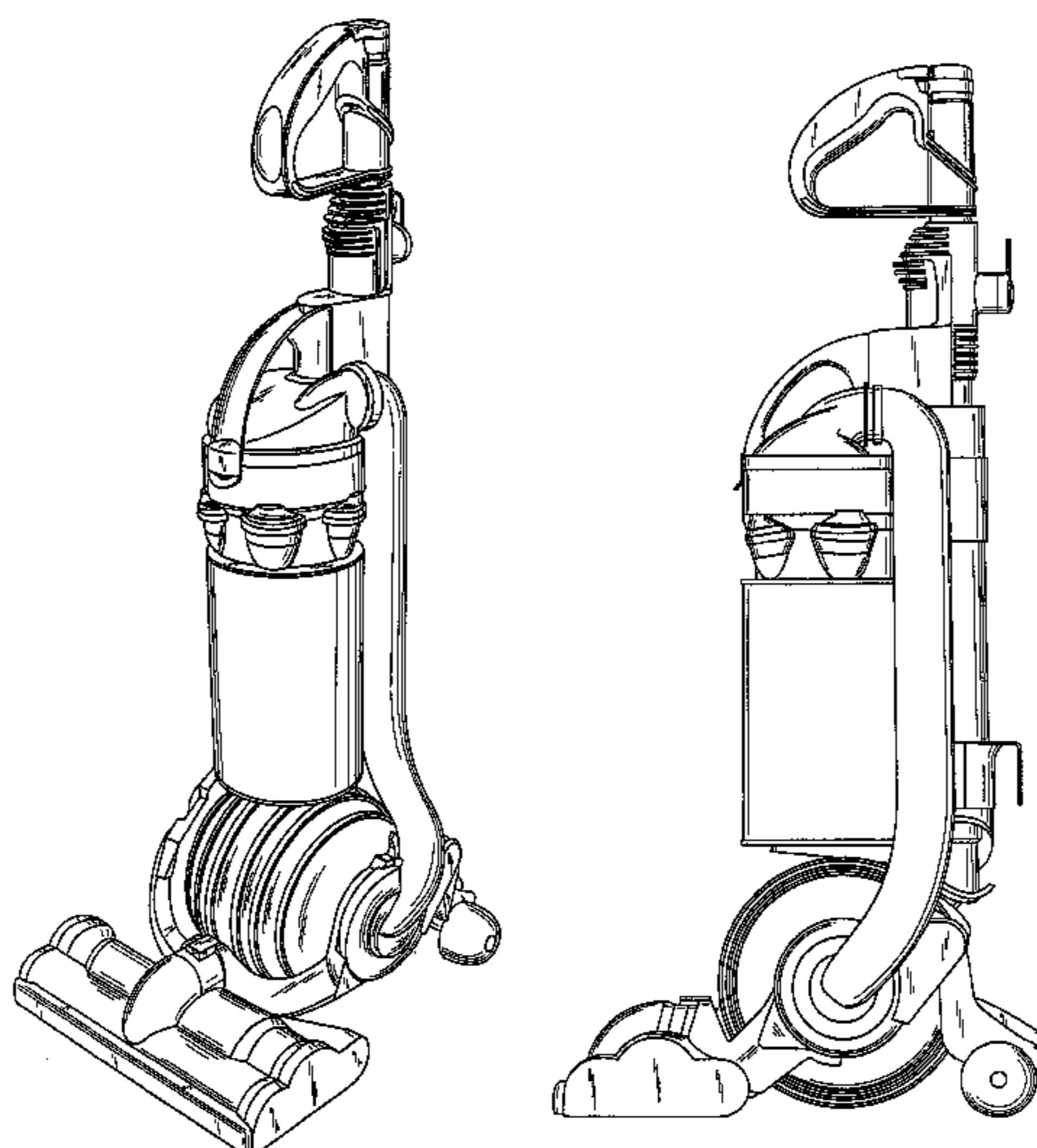
FIG. 4 is a side view thereof;

FIG. 5 is a side view of the opposite side of FIG. 4;

FIG. 6 is a front view thereof; and,

FIG. 7 is a rear view thereof.

**1 Claim, 7 Drawing Sheets**



OTHER PUBLICATIONS

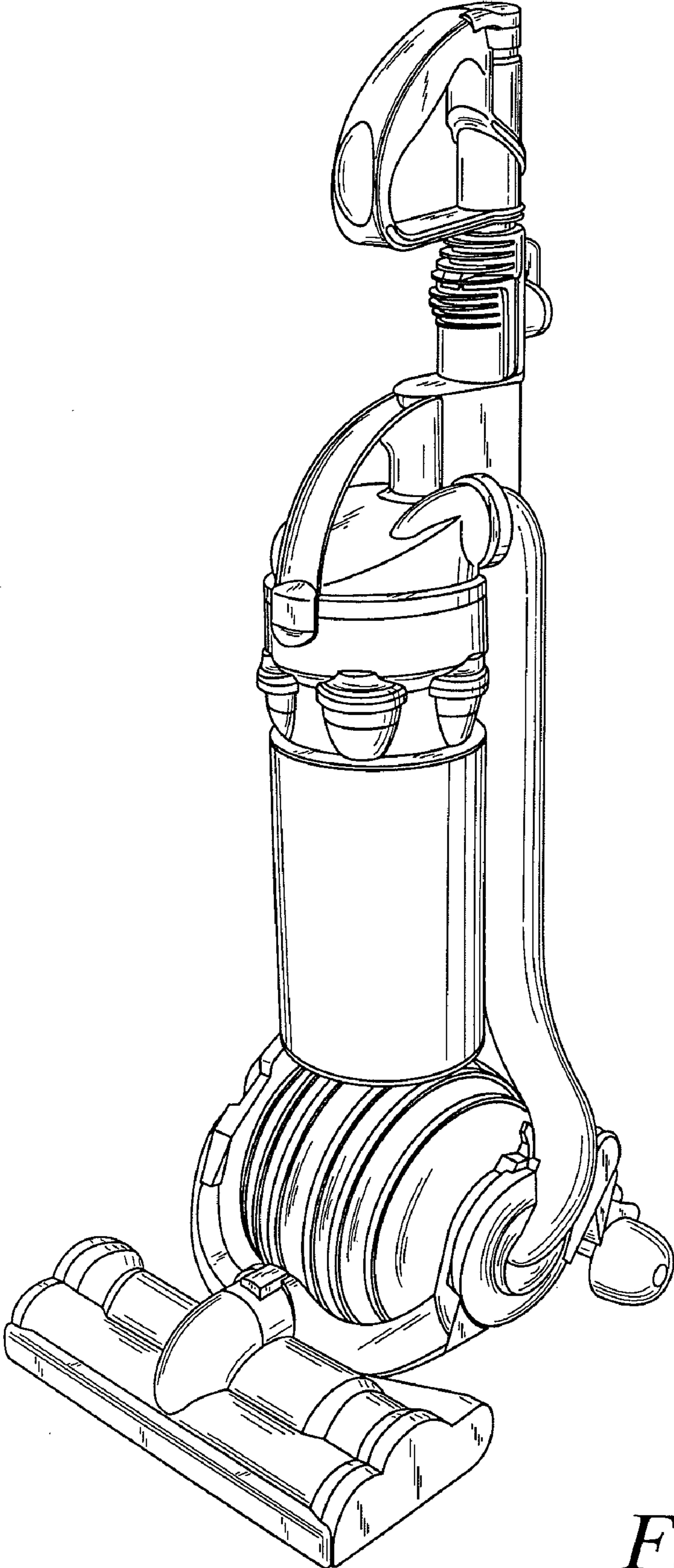
James Dyson et al. "Vacuum Cleaner Part-III," specification and drawings of related U.S. Appl. No. 29/300,873, filed May 22, 2008. 6 pages.

James Dyson et al. "Vacuum Cleaner Part-IV," specification and drawings of related U.S. Appl. No. 29/300,870, filed May 22, 2008. 5 pages.

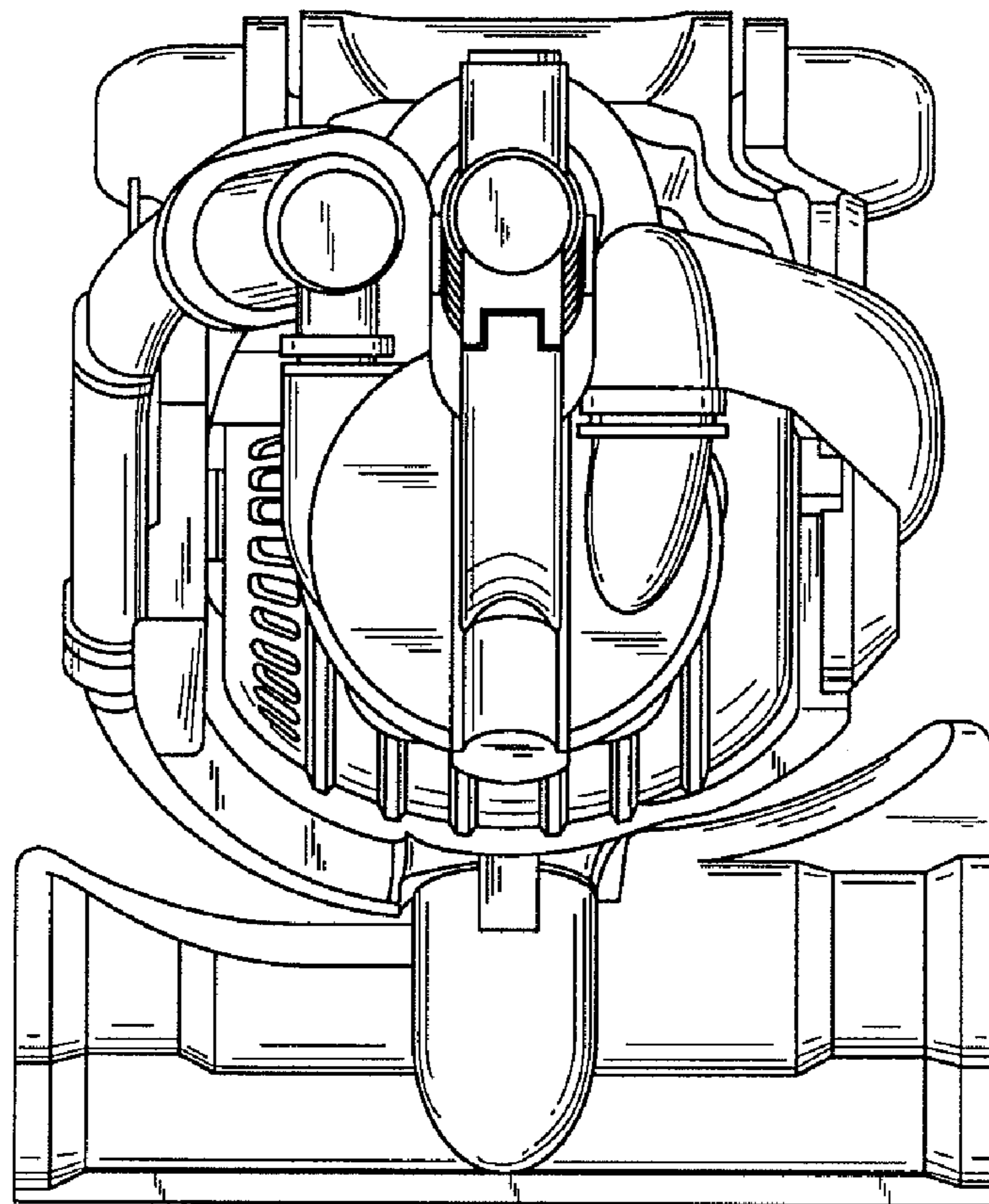
James Dyson et al. "Vacuum Cleaner Part-V," specification and drawings of related U.S. Appl. No. 29/300,872, filed May 22, 2008. 6 pages.

James Dyson et al. "Vacuum Cleaner," specification and drawings of related U.S. Appl. No. 29/300,871, filed May 22, 2008. 8 pages.

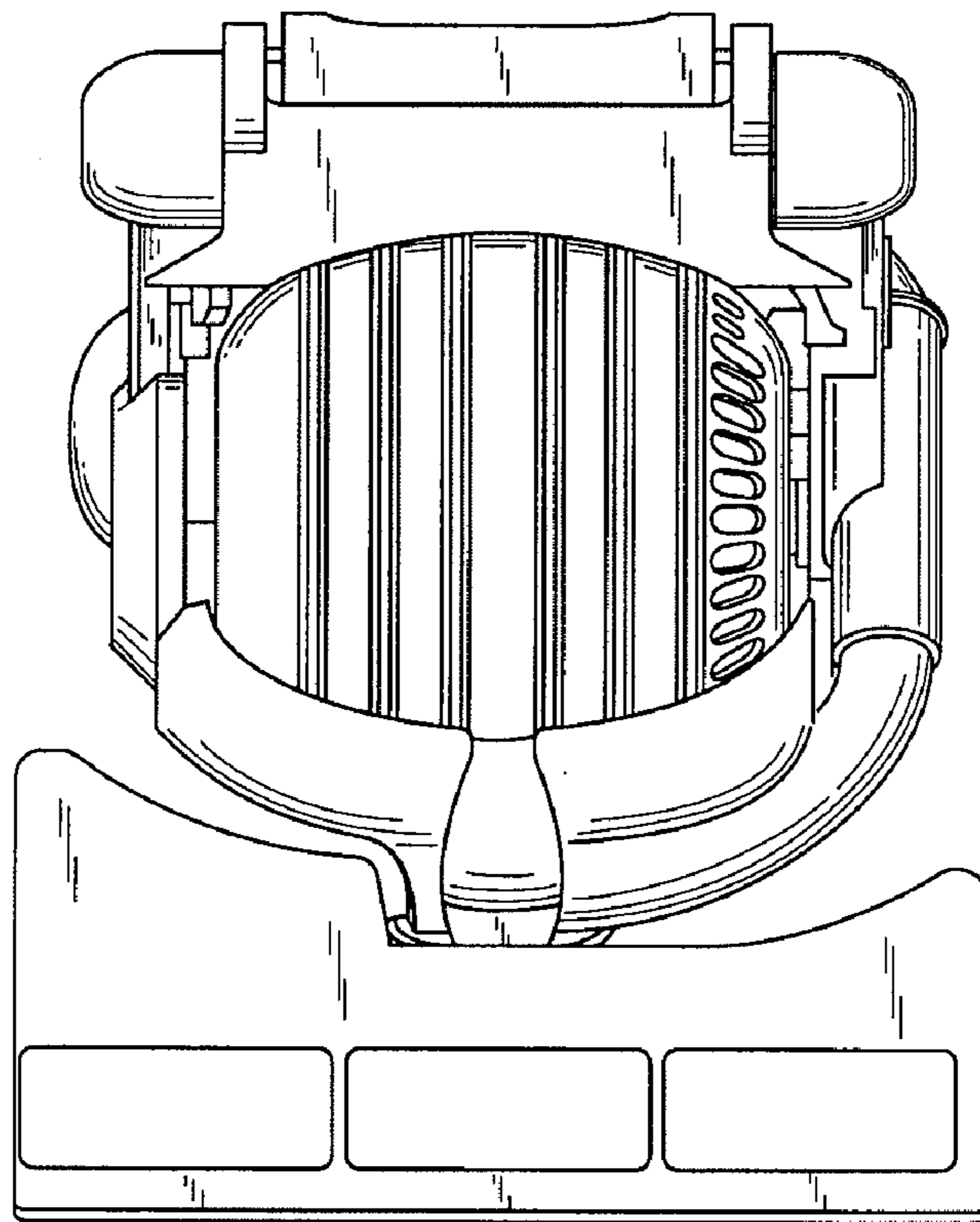
\* cited by examiner



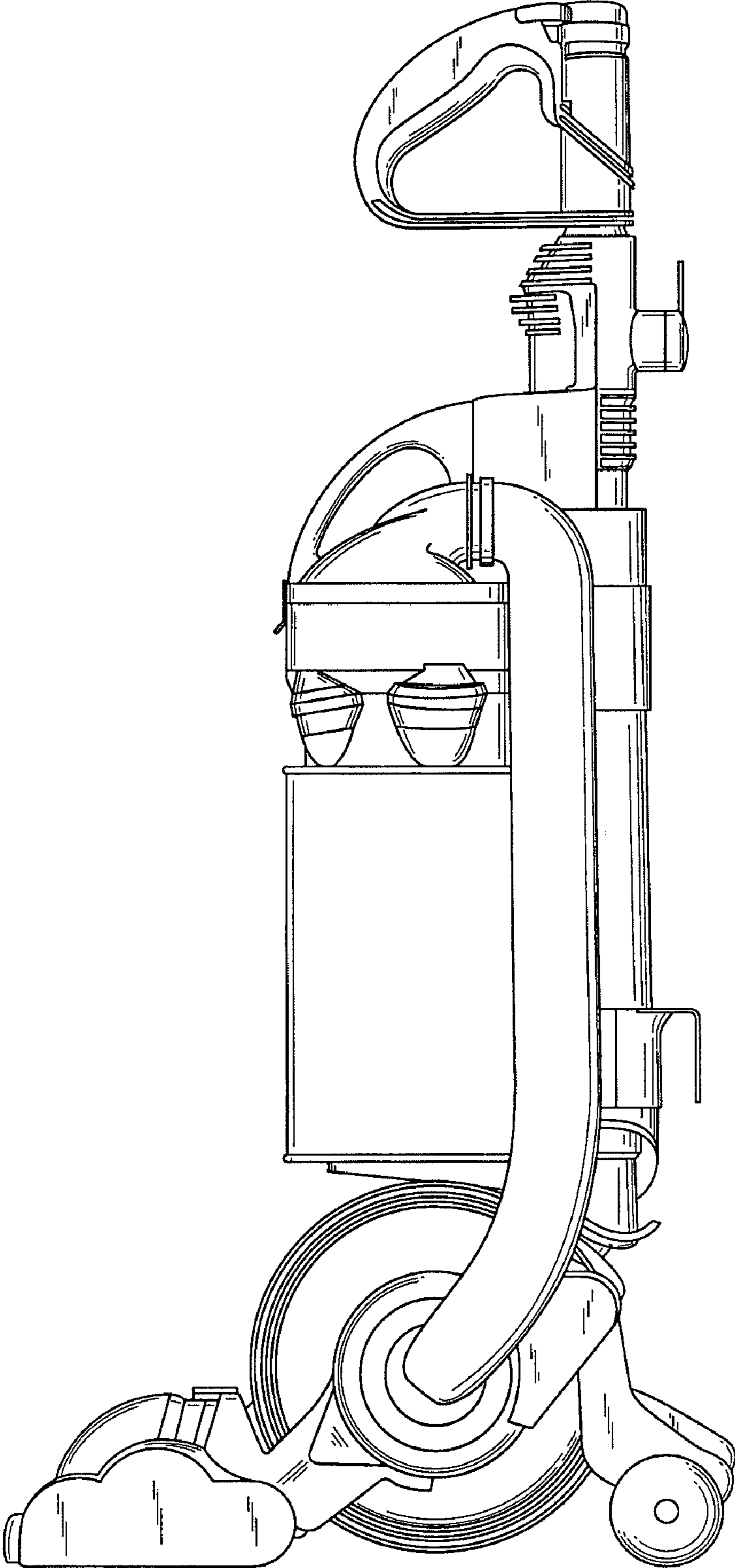
*Fig. 1*



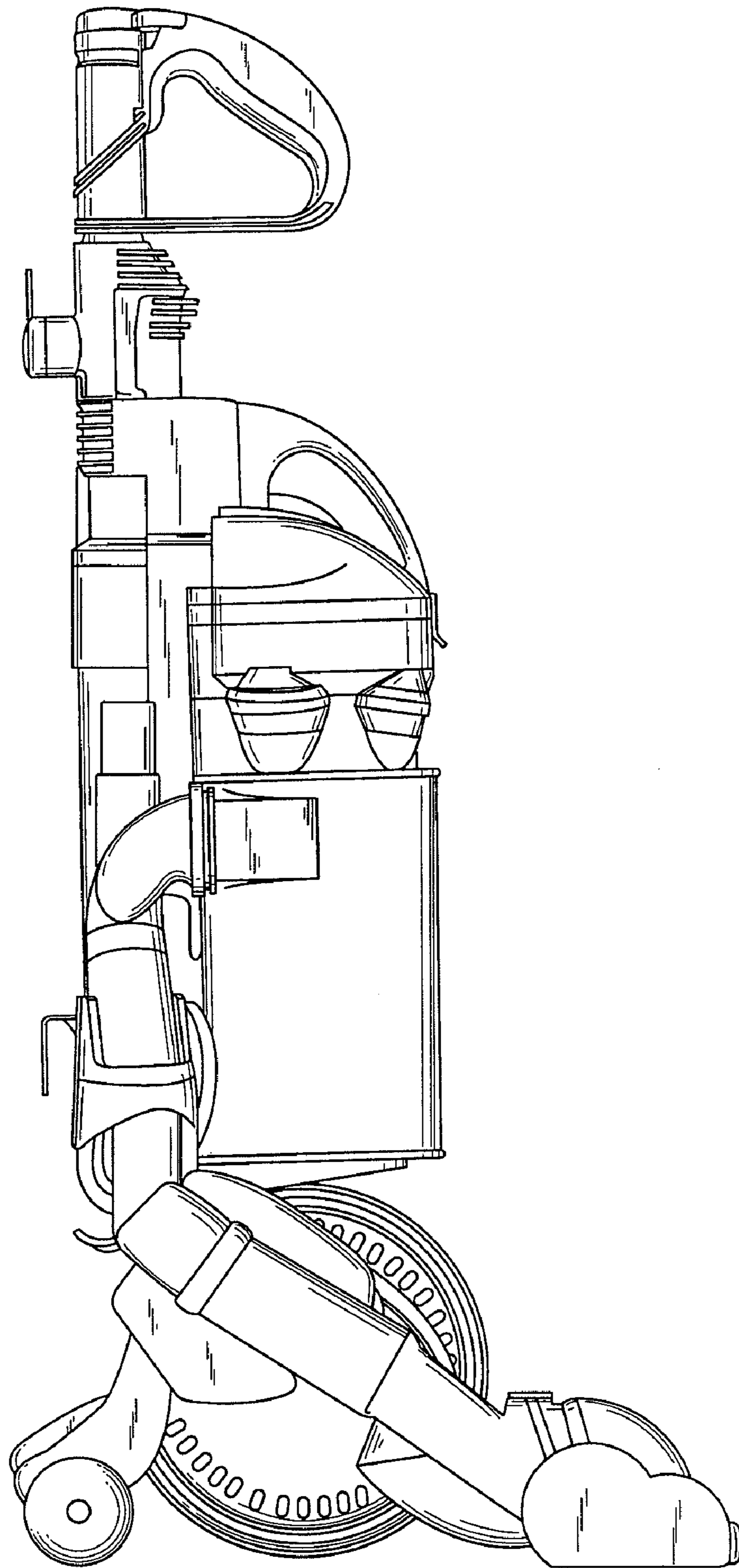
*Fig. 2*



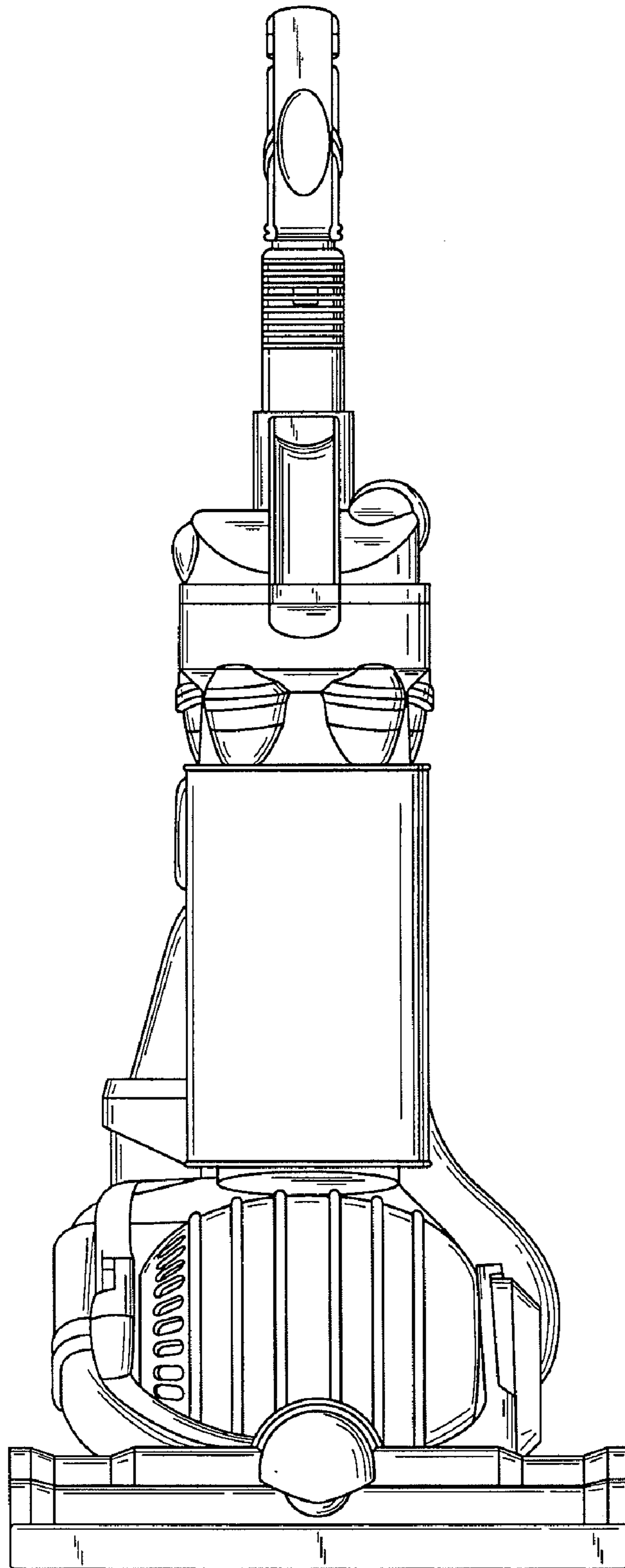
*Fig. 3*



*Fig. 4*

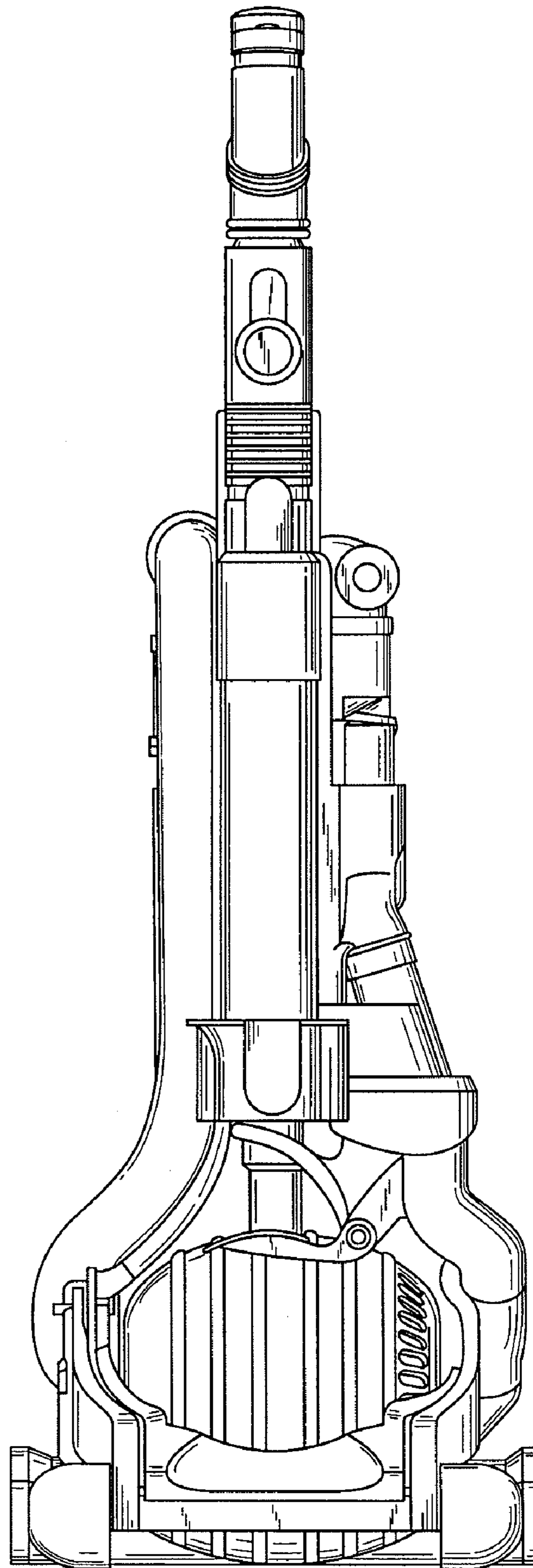


*Fig. 5*



*Fig. 6*





*Fig. 7*