



US00D591012S

(12) **United States Design Patent**
Geissler

(10) **Patent No.:** **US D591,012 S**

(45) **Date of Patent:** **** Apr. 21, 2009**

(54) **ANIMAL EAR TAG**

(75) Inventor: **Randolph K. Geissler**, Hudson, WI
(US)

(73) Assignee: **Destron Fearing Corporation**, South St.
Paul, MN (US)

(**) Term: **14 Years**

(21) Appl. No.: **29/288,914**

(22) Filed: **Jun. 25, 2007**

(51) **LOC (9) Cl.** **30-08**

(52) **U.S. Cl.** **D30/155**

(58) **Field of Classification Search** D30/155,
D30/199; D19/10; D20/43, 22; 40/300,
40/301, 1.5, 668, 304, 302, 622; 119/655,
119/814; 411/531; 606/117, 116, 151, 213,
606/215, 220, 153, 185; D8/394, 373; D11/81,
D11/116, 61, 86, 44, 46, 226, 17, 221, 229,
D11/223, 220, 222, 99, 95, 88; 24/114.4,
24/114.11, 114.12, 113 R, 113 MP, 47, 711.1,
24/620, 704.1, 102 R; 2/265; 340/572.1,
340/573.3, 572.8; D21/389, 390, 385, 370;
D24/101-103; D1/114, 127; 426/104; 273/282.1,
273/260, 290; D3/211; D34/31, 35; D13/183,
D13/171, 174; D14/456; 248/309.4; 428/900;
D9/772, 741; D32/61, 35; D15/144; 63/12,
63/13, 29.1; 343/788; 29/512, 522.1; 424/422;
604/891.1; 285/915; 264/255, 272.11; 335/285,
335/296, 303

See application file for complete search history.

(56) **References Cited**

U.S. PATENT DOCUMENTS

D10,354 S * 12/1877 Miller et al. D11/61

(Continued)

FOREIGN PATENT DOCUMENTS

EP 0 670 562 A1 9/1995

(Continued)

OTHER PUBLICATIONS

“FDX Lightweight Ultra Bovine EID Tag ISO Compliant,” Allflex
USA, Inc., www.allflexusa.com, 10 pages (2004).

(Continued)

Primary Examiner—Susan Moon Lee

(74) *Attorney, Agent, or Firm*—Merchant & Gould P.C.

(57) **CLAIM**

I claim the ornamental design for an animal ear tag, as shown
and described.

DESCRIPTION

FIG. 1 is an enlarged perspective view of a first embodiment
of an animal ear tag incorporating our new design;

FIG. 2 is a top, plan view of the animal ear tag of FIG. 1;

FIG. 3 is a front elevational view of the animal ear tag of FIG.
1;

FIG. 4 is a bottom view of the animal ear tag of FIG. 1;

FIG. 5 is a side elevational view of the animal ear tag of FIG.
1;

FIG. 6 is an enlarged perspective view of a second embodi-
ment of an animal ear tag incorporating our new design, this
second embodiment being formed in a first color indicated by
a first shading pattern, and a second color indicated by a
second shading pattern, the second color being different from
the first color;

FIG. 7 is a top, plan view of the animal ear tag of FIG. 6;

FIG. 8 is a front elevational view of the animal ear tag of FIG.
6;

FIG. 9 is a bottom view of the animal ear tag of FIG. 6;

FIG. 10 is a side elevational view of the animal ear tag of FIG.
6;

FIG. 11 is an enlarged perspective view of a third embodi-
ment of an animal ear tag incorporating our new design, this third
embodiment being colored red and yellow as indicated;

FIG. 12 is a top, plan view of the animal ear tag of FIG. 11;

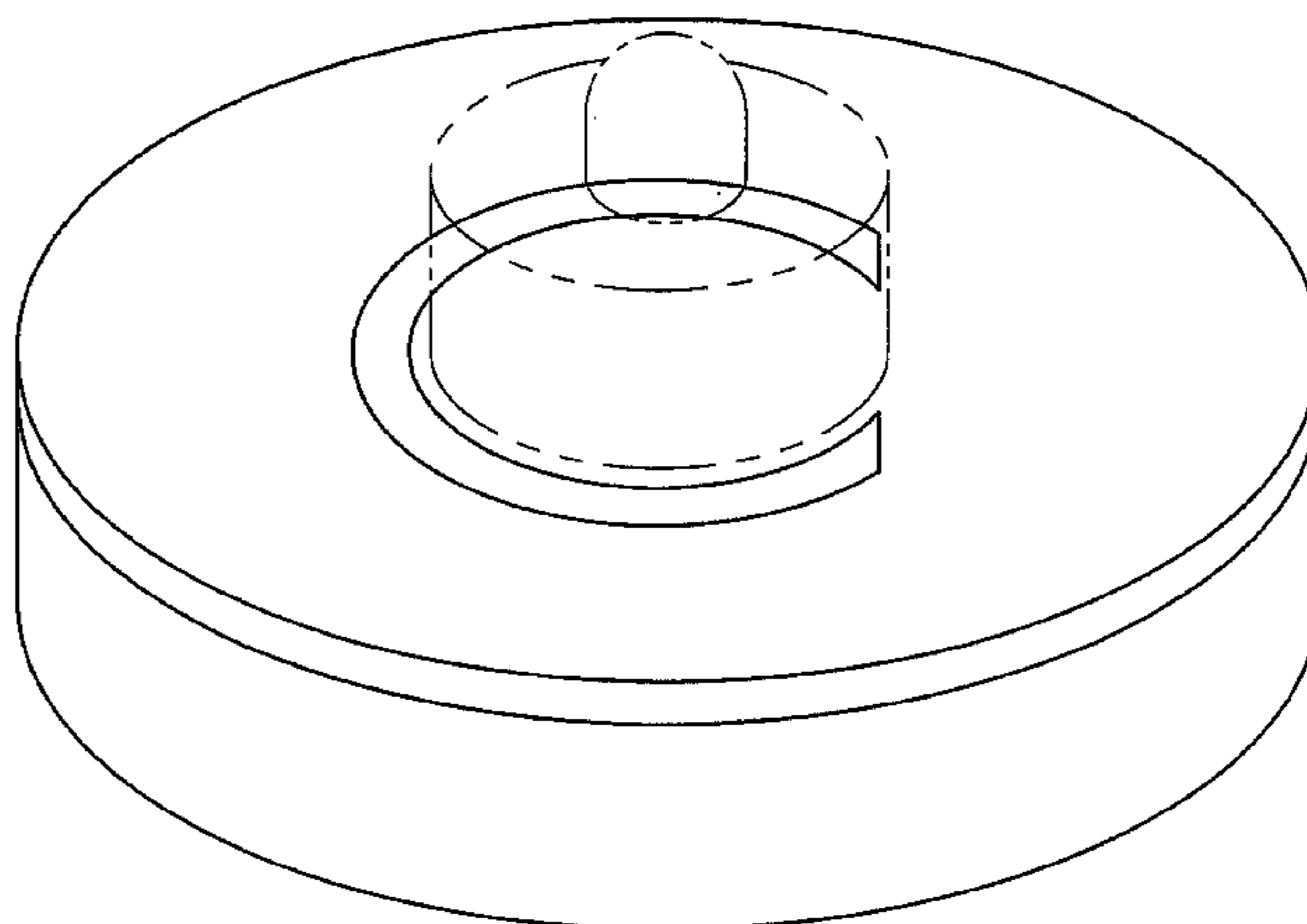
FIG. 13 is a front elevational view of the animal ear tag of
FIG. 11;

FIG. 14 is a bottom view of the animal ear tag of FIG. 11; and,

FIG. 15 is a side elevational view of the animal ear tag of FIG.
11.

Elements depicted in broken line are not claimed.

1 Claim, 10 Drawing Sheets



US D591,012 S

Page 2

U.S. PATENT DOCUMENTS							
		5,768,813	A *	6/1998	Reboul et al. 40/301		
D17,249	S *	4/1887	Ball	9/1998	Schrott et al.		
D25,553	S *	6/1896	Brown	8/1999	Isaacman et al.		
818,983	A *	4/1906	Smith	10/1999	Lawler, Jr. et al.		
866,817	A *	9/1907	Schloss	2/2000	Caisley		
1,005,993	A *	10/1911	Meehan	5/2000	Ritchey		
1,026,423	A *	5/1912	Andrews	8/2000	Adams 606/220		
D45,896	S *	6/1914	Smith	8/2000	Nysen		
D94,218	S *	1/1935	Henkel	10/2000	Issacman et al.		
D156,073	S *	11/1949	Campbell	11/2000	Ritchey		
D166,243	S *	3/1952	Crist	11/2000	Finlayson		
RE23,624	E *	2/1953	Sutin	11/2000	Heller		
2,644,212	A *	7/1953	Markowitz	12/2000	Barsumian et al.		
2,940,199	A *	6/1960	Goldberg	3/2001	Lawler, Jr. et al.		
3,093,919	A *	6/1963	Holtz	4/2001	Oldham et al.		
3,171,176	A *	3/1965	Shirley	D441,799	S *	5/2001	Ho D20/22
3,484,891	A *	12/1969	Borgen	D442,363	S *	5/2001	Magid et al. D3/208
3,531,123	A *	9/1970	Peebles	6,231,435	B1	5/2001	Pilger
D229,698	S *	12/1973	Kretzer	6,239,737	B1 *	5/2001	Black 342/51
3,827,020	A *	7/1974	Okamoto	D443,747	S *	6/2001	Ridge D34/31
3,887,188	A *	6/1975	Beauchamp et al.	D450,010	S *	11/2001	Schmidt D11/86
3,934,368	A	1/1976	Fearing	6,329,920	B1	12/2001	Morrison et al.
3,987,570	A	10/1976	McMurray et al.	6,342,839	B1	1/2002	Curkendall et al.
4,060,921	A	12/1977	Robinson	6,346,884	B1	2/2002	Uozumi et al.
RE29,536	E	2/1978	Fearing	6,346,885	B1	2/2002	Curkendall
4,176,482	A	12/1979	Steckel	6,362,737	B1	3/2002	Rodgers et al.
4,183,536	A *	1/1980	Platt	6,366,206	B1	4/2002	Ishikawa et al.
4,209,924	A	7/1980	Fearing	6,375,612	B1	4/2002	Guichon et al.
4,250,643	A	2/1981	Mackenzie	6,405,462	B1	6/2002	Gardner et al.
4,344,240	A *	8/1982	Schiller	6,439,169	B1	8/2002	Miyawaki
4,425,726	A	1/1984	Dvorak	6,480,100	B1	11/2002	Frieden et al.
D274,151	S *	6/1984	Child	6,480,699	B1	11/2002	Lovoi
RE31,632	E	7/1984	Murphy et al.	6,509,828	B2	1/2003	Bolavage et al.
4,470,212	A	9/1984	Stafford et al.	6,510,630	B1	1/2003	Gardner
4,471,546	A *	9/1984	Bolling, Jr.	6,531,957	B1	3/2003	Nysen
4,581,834	A	4/1986	Zatkos et al.	D472,557	S *	4/2003	Kadota D14/456
4,612,877	A	9/1986	Hayes et al.	6,545,604	B1 *	4/2003	Dando et al. 340/572.1
4,635,389	A	1/1987	Oudelette	6,554,188	B1	4/2003	Johnson et al.
4,646,455	A *	3/1987	Gardner	6,569,092	B1	5/2003	Guichon et al.
4,653,208	A	3/1987	Wassilieff	RE38,187	E *	7/2003	Bellehumeur et al. 473/588
D290,447	S *	6/1987	Evans	6,598,800	B1	7/2003	Schmit et al.
4,691,458	A	9/1987	Scott	6,608,561	B2	8/2003	Lawler, Jr. et al.
4,694,781	A *	9/1987	Howe et al.	D479,540	S *	9/2003	Leon, Jr. D15/144
4,741,117	A	5/1988	Fearing	6,613,179	B1	9/2003	McCoy et al.
4,785,563	A *	11/1988	Friedman	6,649,403	B1	11/2003	McDevitt et al.
D302,051	S *	7/1989	Contractor et al.	D483,547	S *	12/2003	Norton D1/127
4,878,668	A *	11/1989	Nevoral	6,664,897	B2	12/2003	Pape et al.
4,953,313	A	9/1990	Scott	6,666,170	B1	12/2003	Hilpert
4,958,452	A	9/1990	Tate	6,698,119	B2	3/2004	Jacob et al.
D311,078	S *	10/1990	Holladay et al.	6,700,547	B2	3/2004	Mejia et al.
D319,201	S *	8/1991	Aoki	6,708,432	B2 *	3/2004	Haar et al. 40/301
5,051,741	A	9/1991	Wesby	6,708,881	B2	3/2004	Hartmann
D325,268	S *	4/1992	Wittick et al.	6,713,298	B2	3/2004	McDevitt et al.
5,133,428	A *	7/1992	Perrson	6,720,930	B2	4/2004	Johnson et al.
D337,411	S *	7/1993	Smith	6,724,309	B2	4/2004	Grose et al.
5,228,224	A	7/1993	Gardner	6,745,008	B1	6/2004	Carrender et al.
D337,994	S *	8/1993	Herrera	6,825,763	B2	11/2004	Ulrich et al.
5,240,251	A *	8/1993	Filice	6,831,562	B2	12/2004	Rodgers et al.
5,302,954	A	4/1994	Brooks et al.	6,840,440	B2	1/2005	Uozumi et al.
5,308,351	A	5/1994	Nehls	6,847,892	B2	1/2005	Zhou et al.
D350,943	S *	9/1994	Adams et al.	6,859,672	B2	2/2005	Roberts et al.
5,446,447	A	8/1995	Carney et al.	6,878,052	B2	4/2005	Andersson
5,450,492	A	9/1995	Hook et al.	6,916,295	B2	7/2005	Tasch et al.
5,461,806	A	10/1995	Bristow, Jr.	D507,987	S *	8/2005	Davis D11/95
5,473,830	A	12/1995	Doble	6,982,646	B2	1/2006	Rodgers et al.
5,477,215	A	12/1995	Mandelbaum	6,983,687	B2	1/2006	McCoy
5,510,769	A	4/1996	Kajfez et al.	6,988,080	B2	1/2006	Zack et al.
5,520,417	A	5/1996	Kennemer	7,009,515	B2	3/2006	Carrender
5,675,920	A	10/1997	Long	7,019,639	B2	3/2006	Stilp
5,680,106	A	10/1997	Schrott et al.	7,023,341	B2	4/2006	Stilp
D389,616	S *	1/1998	Van Amelsfort	7,049,942	B2	5/2006	Gallovich
5,725,261	A	3/1998	Rahn	7,079,020	B2	7/2006	Stilp
				7,082,344	B2	7/2006	Ghaffari

US D591,012 S

Page 3

7,084,756 B2	8/2006	Stilp	2004/0211332 A9	10/2004	Apana et al.
7,091,860 B2	8/2006	Martinez de Velasco Cortina et al.	2005/0024183 A1	2/2005	Carter et al.
7,098,793 B2	8/2006	Chung	2005/0052283 A1	3/2005	Collins et al.
7,106,189 B2	9/2006	Burneske et al.	2005/0075900 A1	4/2005	Arguimbau, III
7,116,212 B2	10/2006	Horwitz et al.	2005/0115507 A1	6/2005	Halachmi et al.
7,116,230 B2	10/2006	Klowak	2005/0145187 A1	7/2005	Gray
7,140,989 B2 *	11/2006	Poruchny 473/588	2005/0161007 A1	7/2005	Huisma et al.
7,142,118 B2	11/2006	Hamilton et al.	2006/0038658 A1	2/2006	Jarvis et al.
7,158,030 B2	1/2007	Chung	2006/0067187 A1 *	3/2006	Yang et al. 369/47.11
7,167,095 B2	1/2007	Carrender	2006/0117619 A1 *	6/2006	Costantini 40/301
7,198,169 B2 *	4/2007	Silk 220/288	FOREIGN PATENT DOCUMENTS		
7,235,055 B2 *	6/2007	Pfistershammer 600/567	WO	WO 99/27777	6/1999
7,242,306 B2	7/2007	Wildman et al.	WO	WO 02/060244 A1	8/2002
7,248,933 B2	7/2007	Wildman	WO	WO 03/051108 A2	6/2003
7,250,917 B1	7/2007	Thompson et al.	WO	WO 03/079773 A1	10/2003
7,252,230 B1	8/2007	Sheikh et al.	WO	WO 2005/034617 A1	4/2005
7,256,696 B2	8/2007	Levin	OTHER PUBLICATIONS		
2002/0010390 A1	1/2002	Guice et al.	"Product Information," Y-Tex Corporation, 4 pages (known as prior art as of Nov. 17, 2005).		
2002/0148146 A1	10/2002	Hogan	"RFID The Next Generation in AIDC," www.satoworldwide.com, pp. 1-53 (Oct. 29, 2004).		
2002/0188470 A1	12/2002	Hogan	International Search Report mailed Jul. 26, 2006.		
2003/0038721 A1	2/2003	Hogan	* cited by examiner		
2003/0121188 A1	7/2003	Haar et al.			
2004/0021313 A1	2/2004	Gardner et al.			
2004/0027251 A1	2/2004	Sharony			
2004/0144004 A1	7/2004	Constatini			
2004/0150528 A1	8/2004	Natividade et al.			

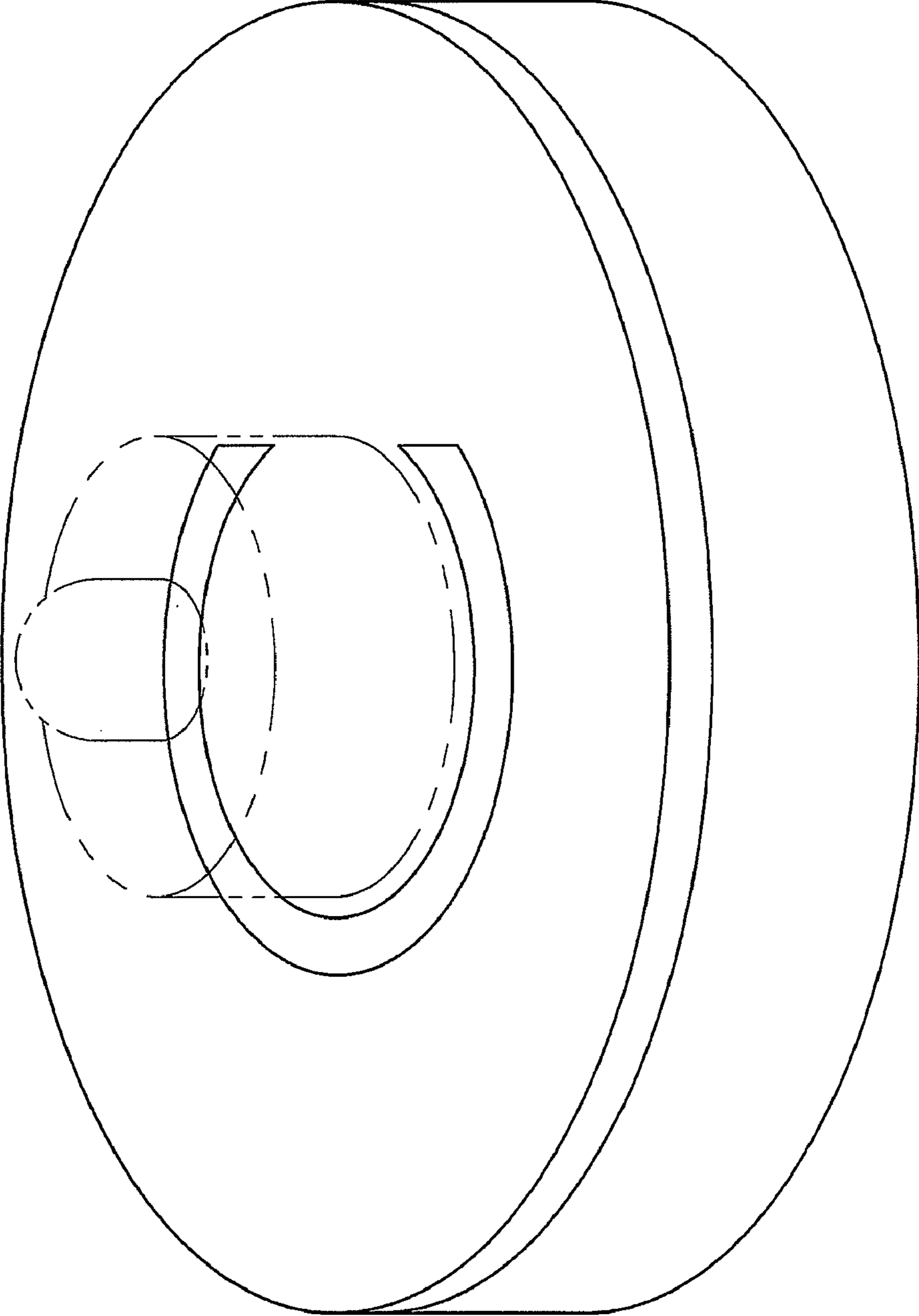


FIG. 1

FIG. 2

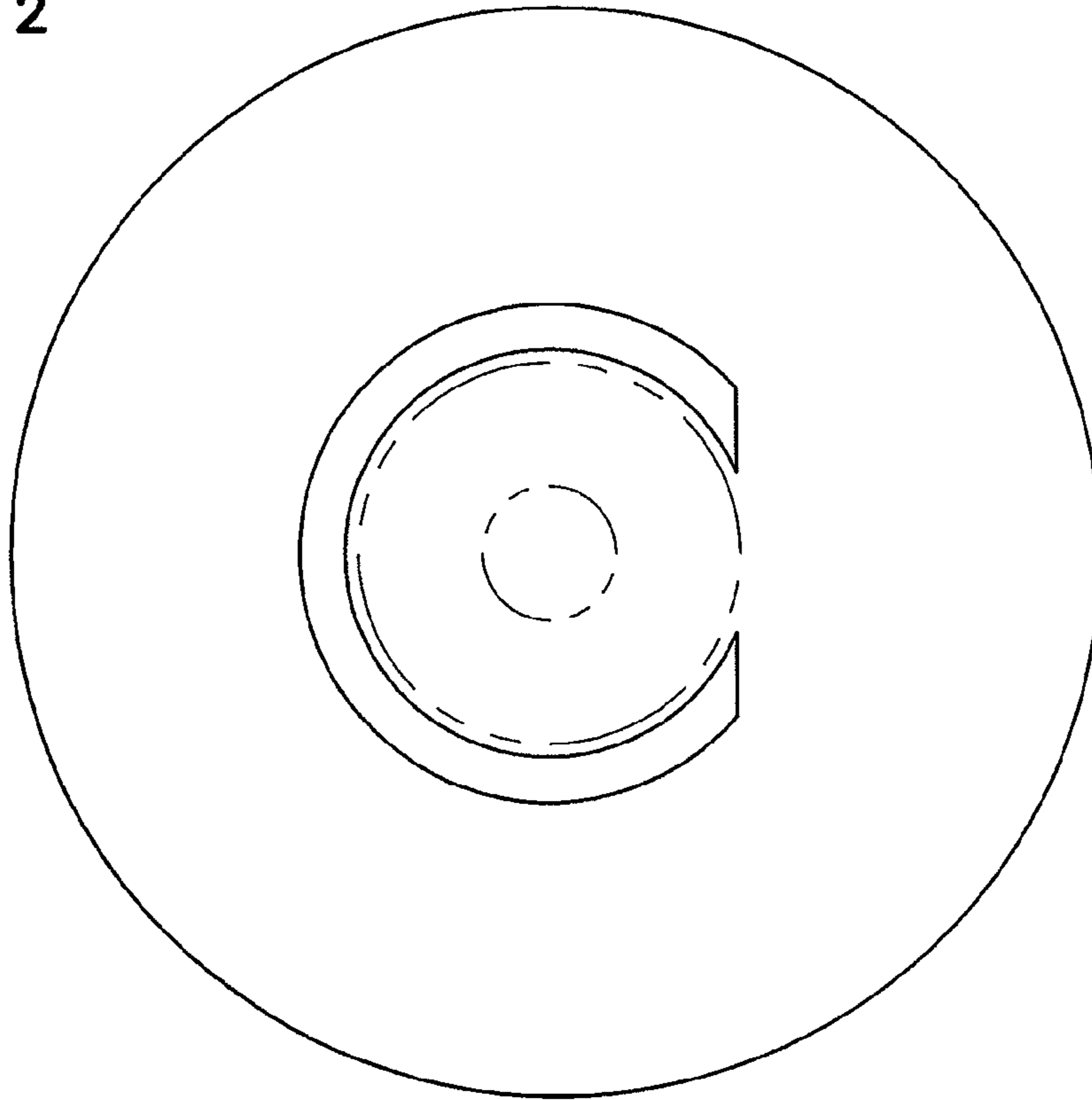


FIG. 3

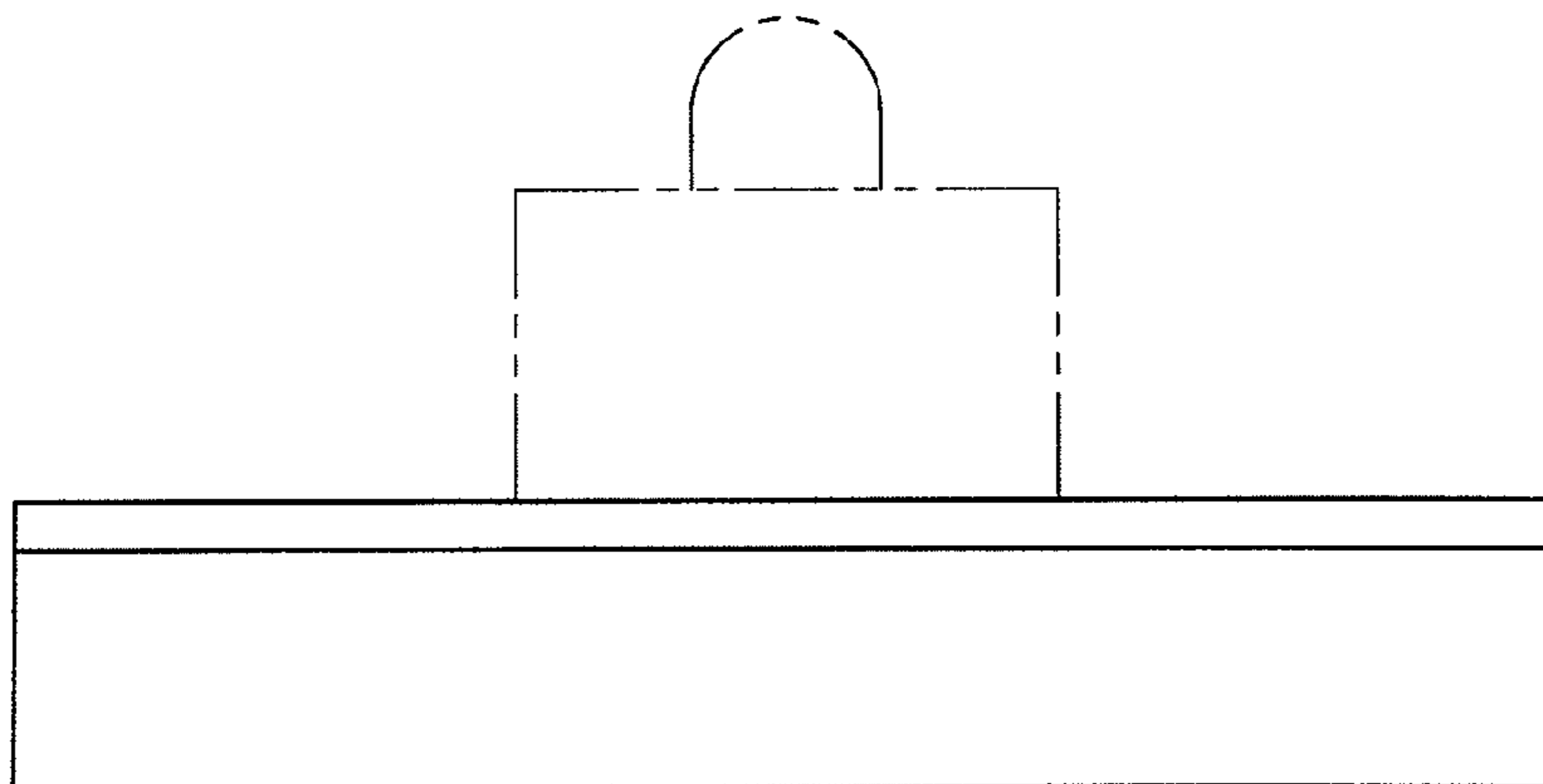


FIG. 4

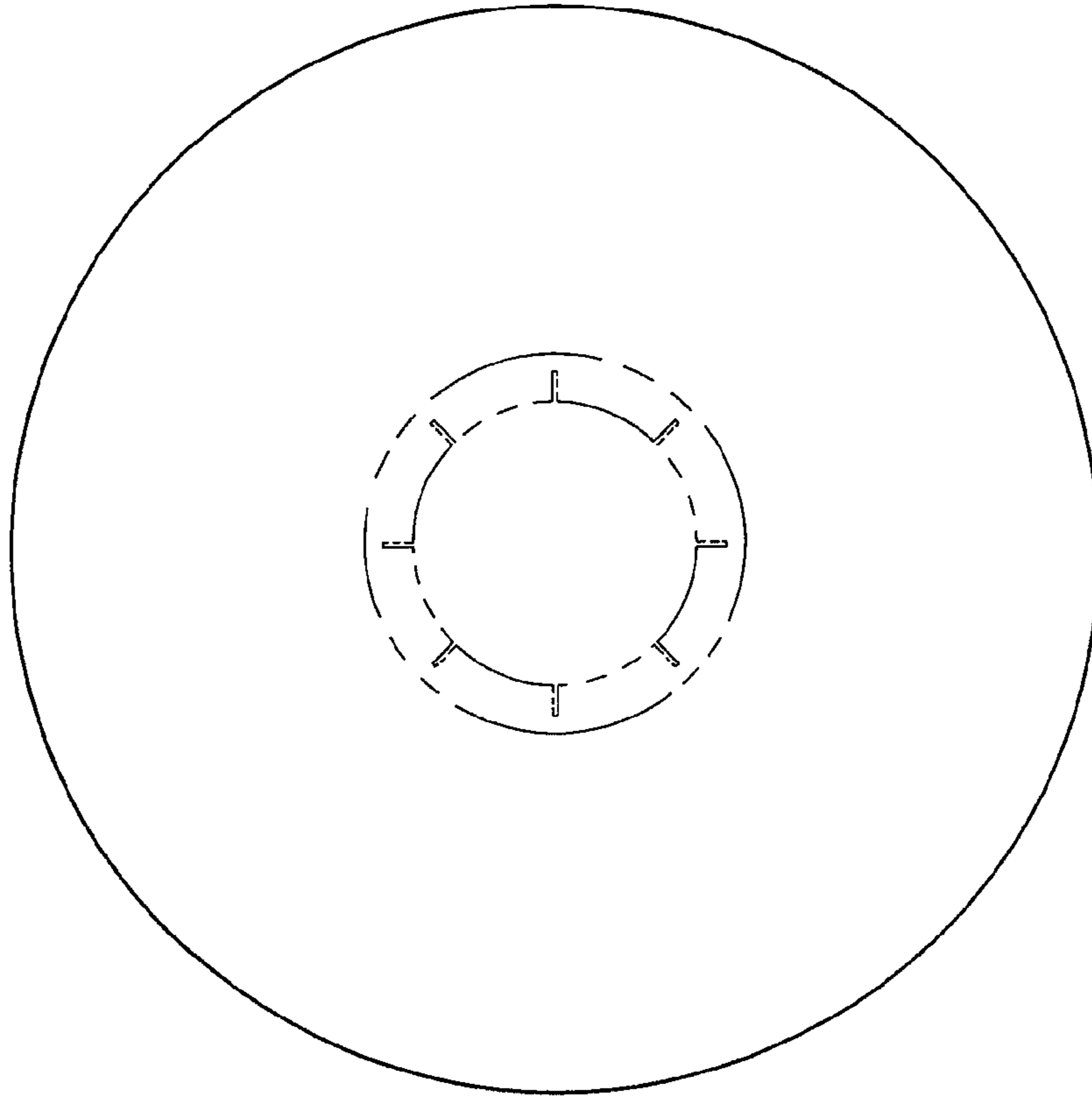
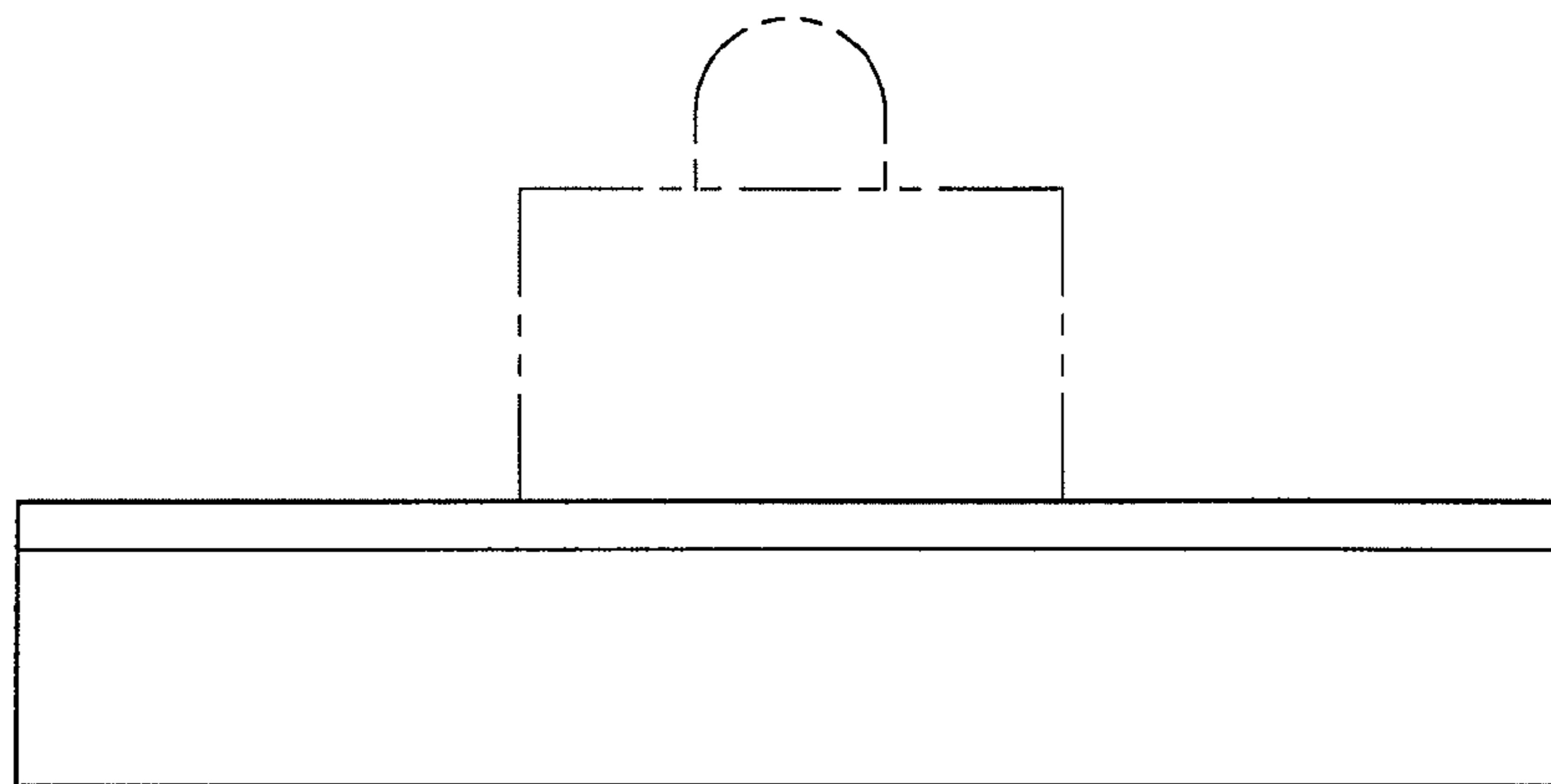


FIG. 5



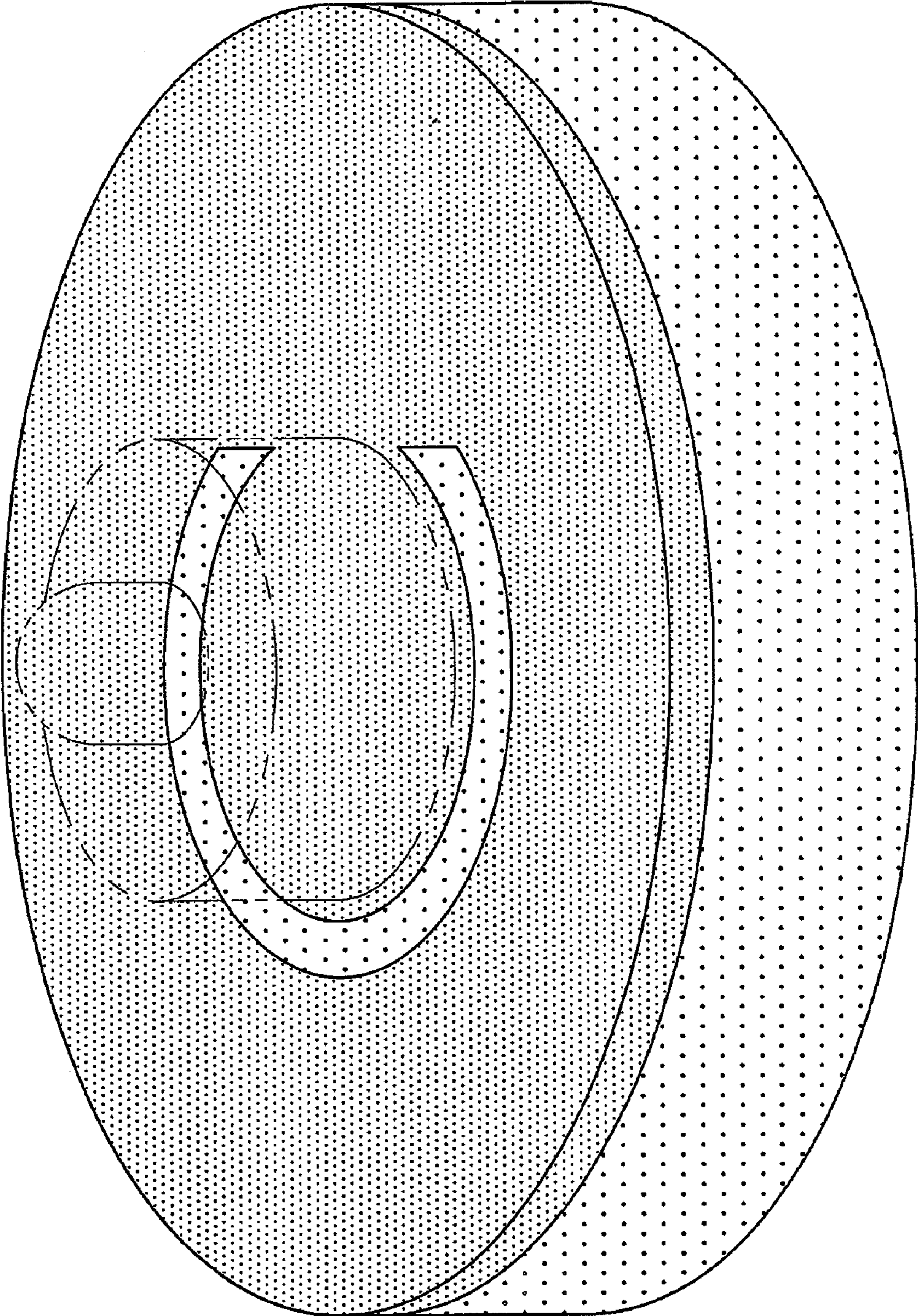


FIG. 6

FIG. 7

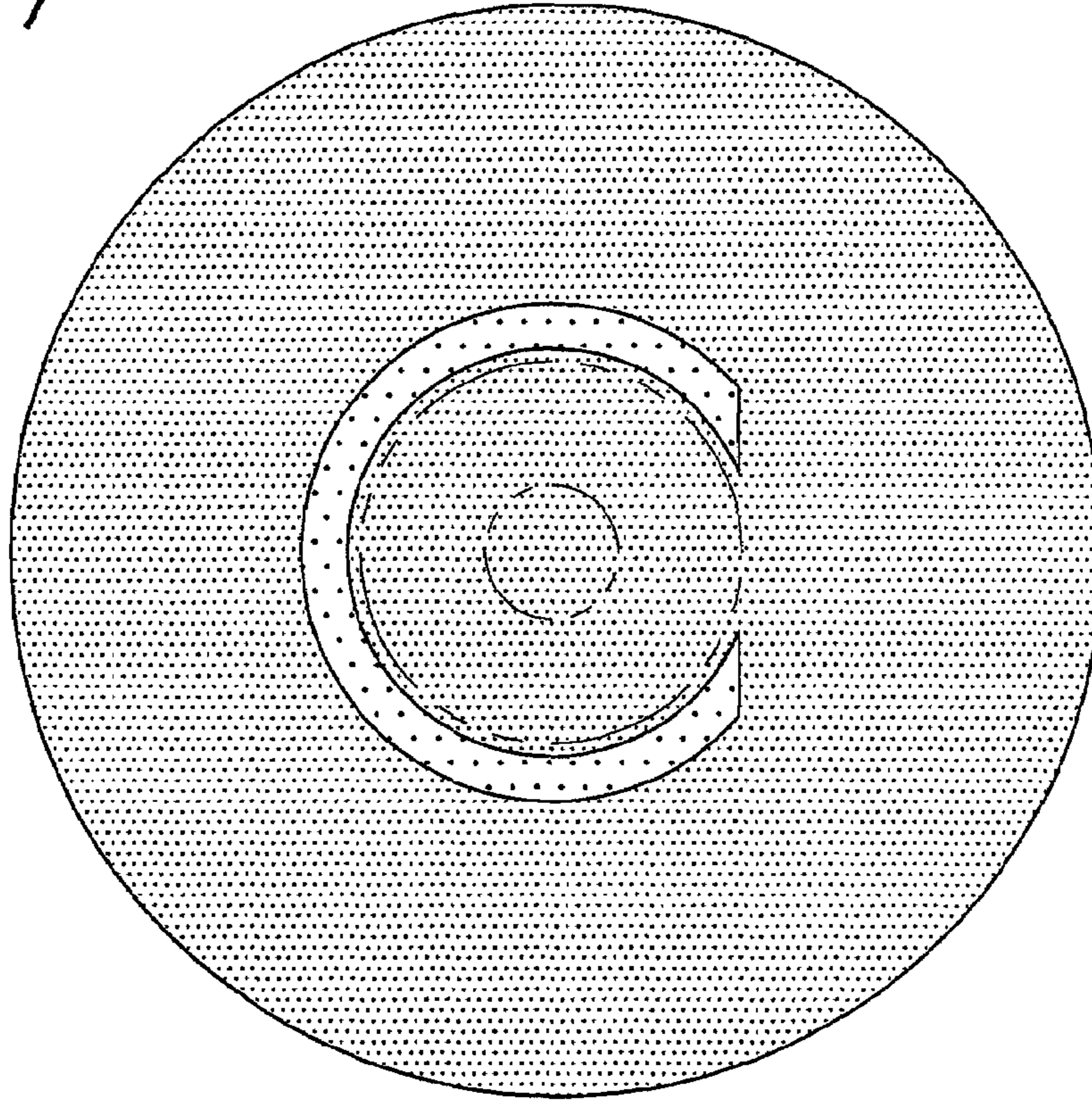


FIG. 8

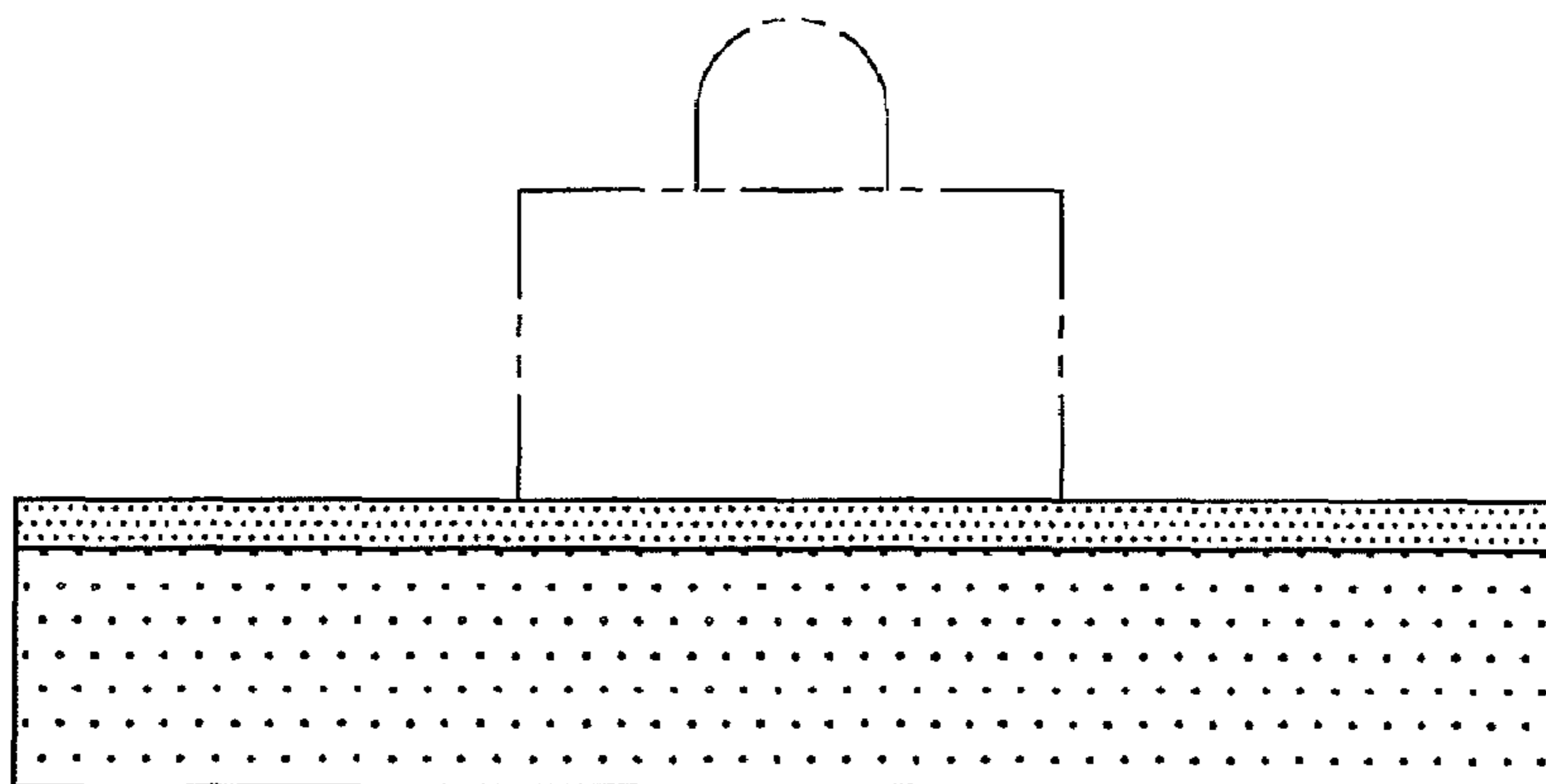


FIG. 9

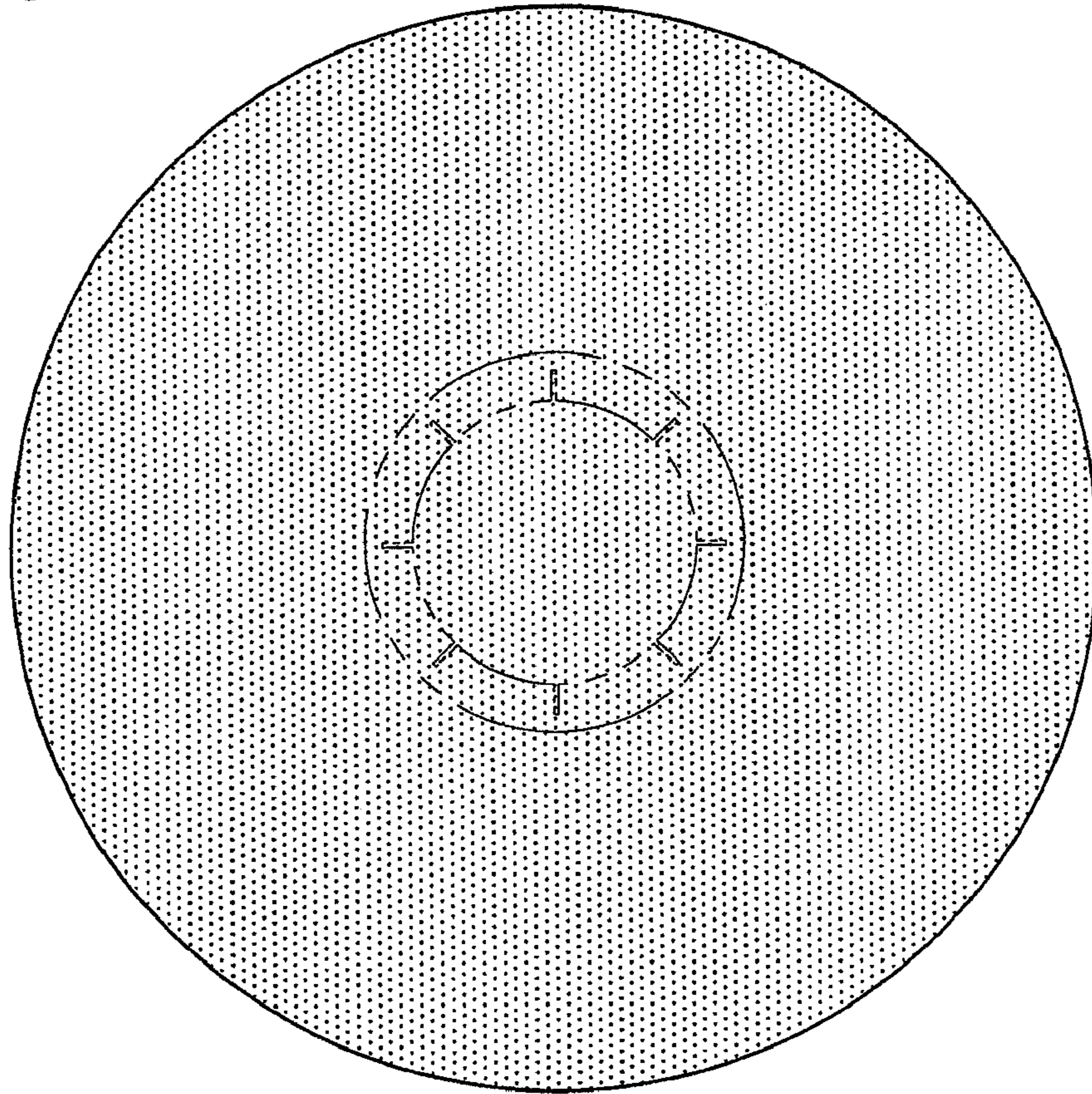
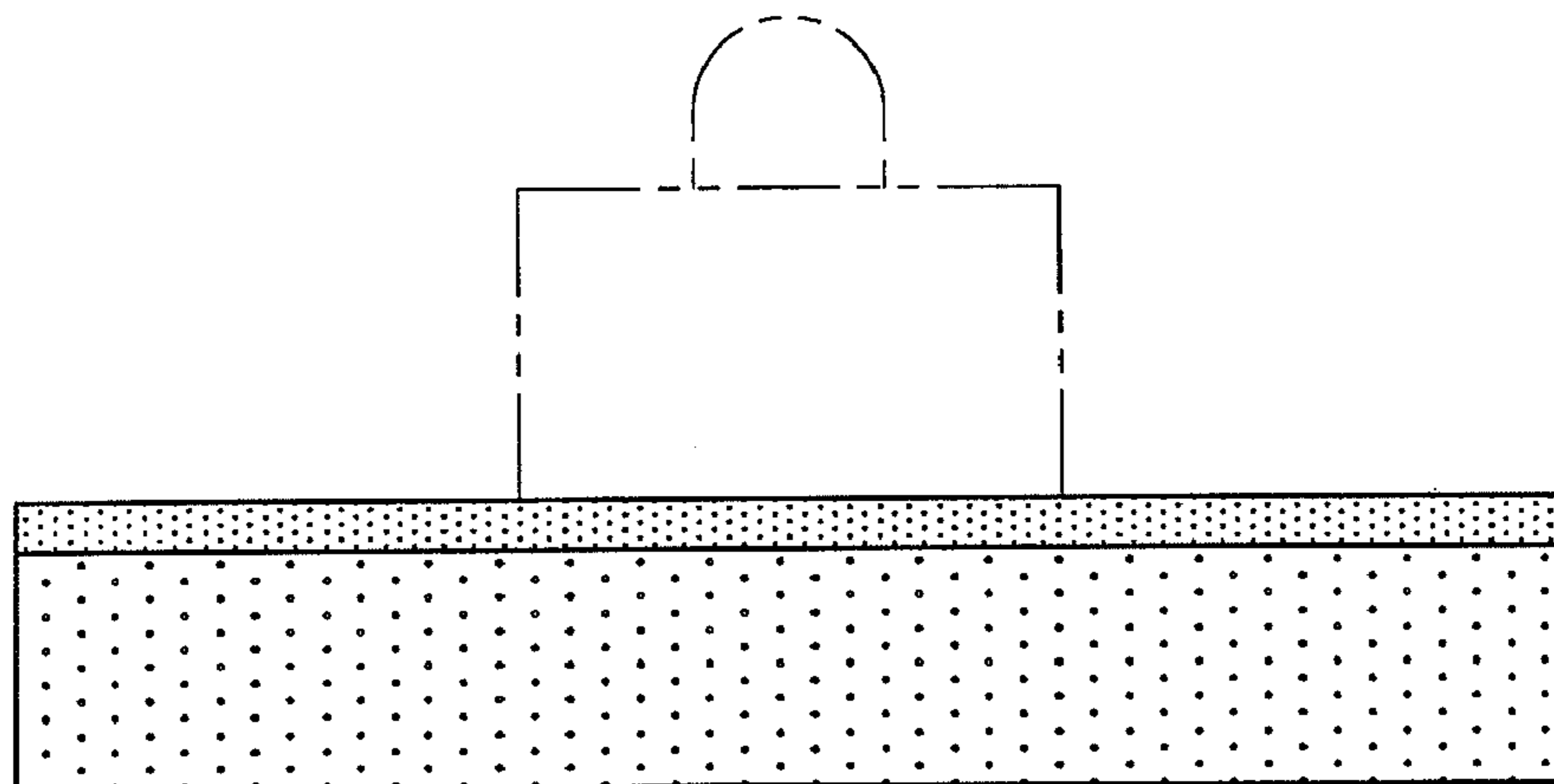


FIG. 10



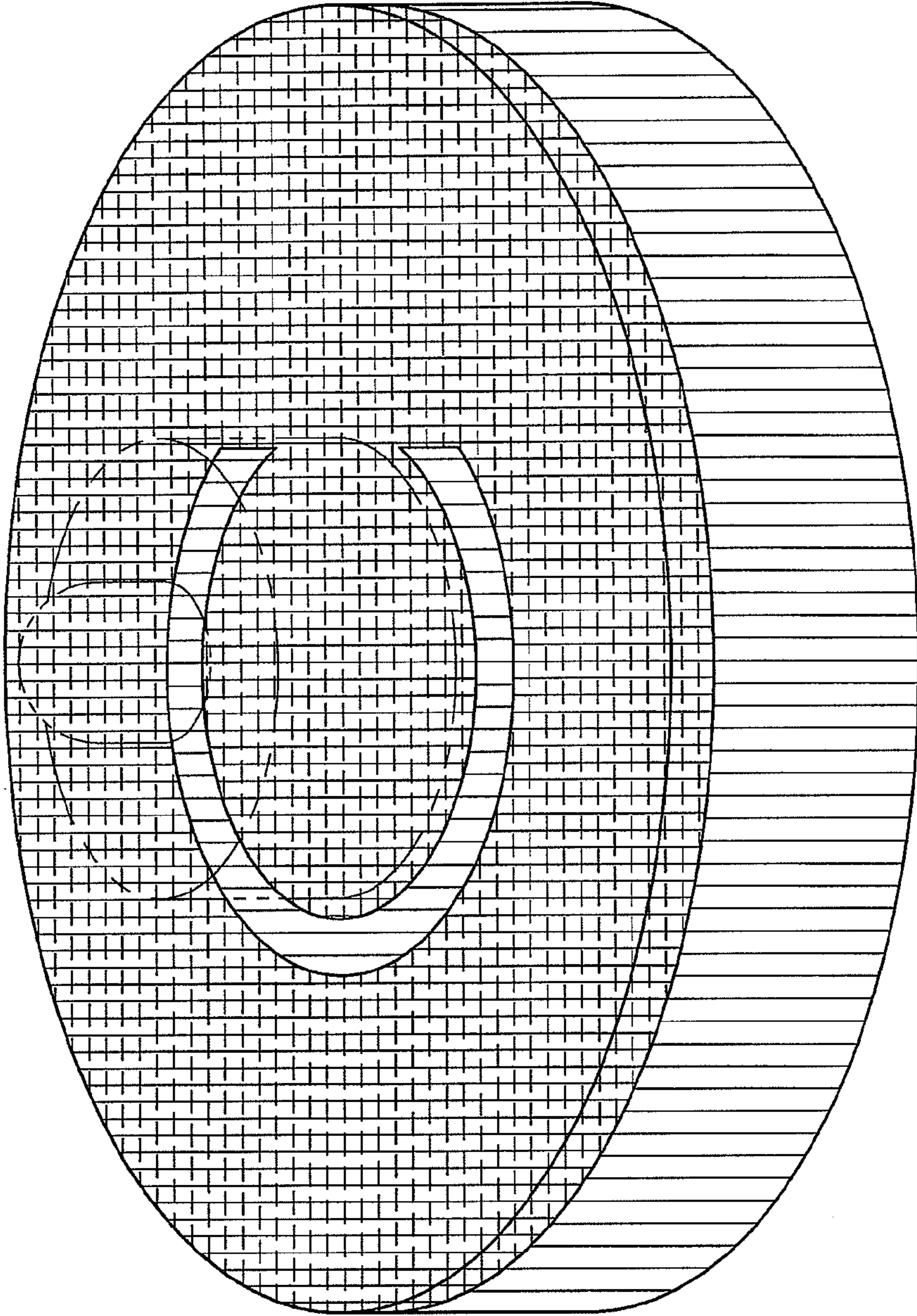


FIG. 11

FIG. 12

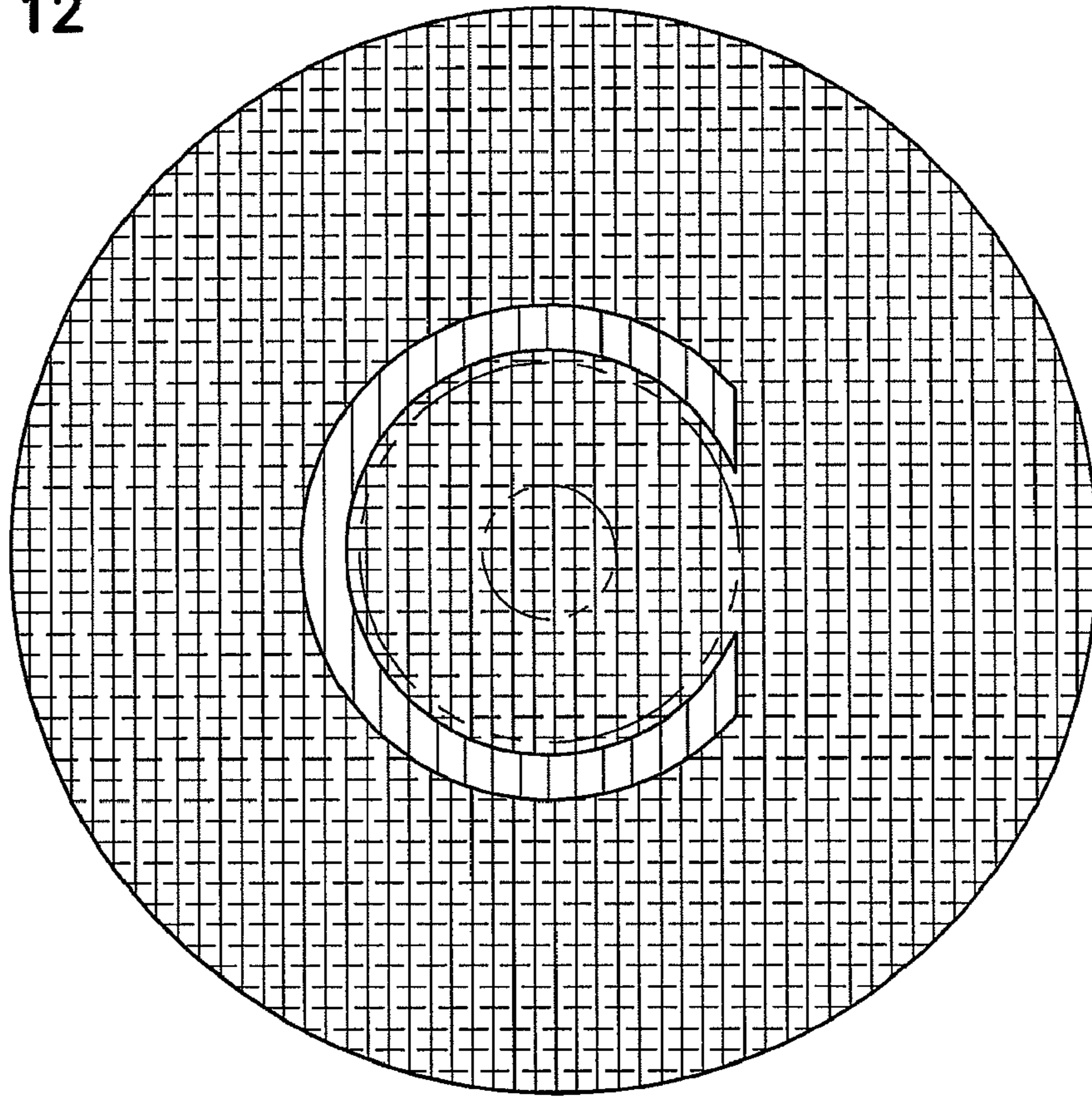
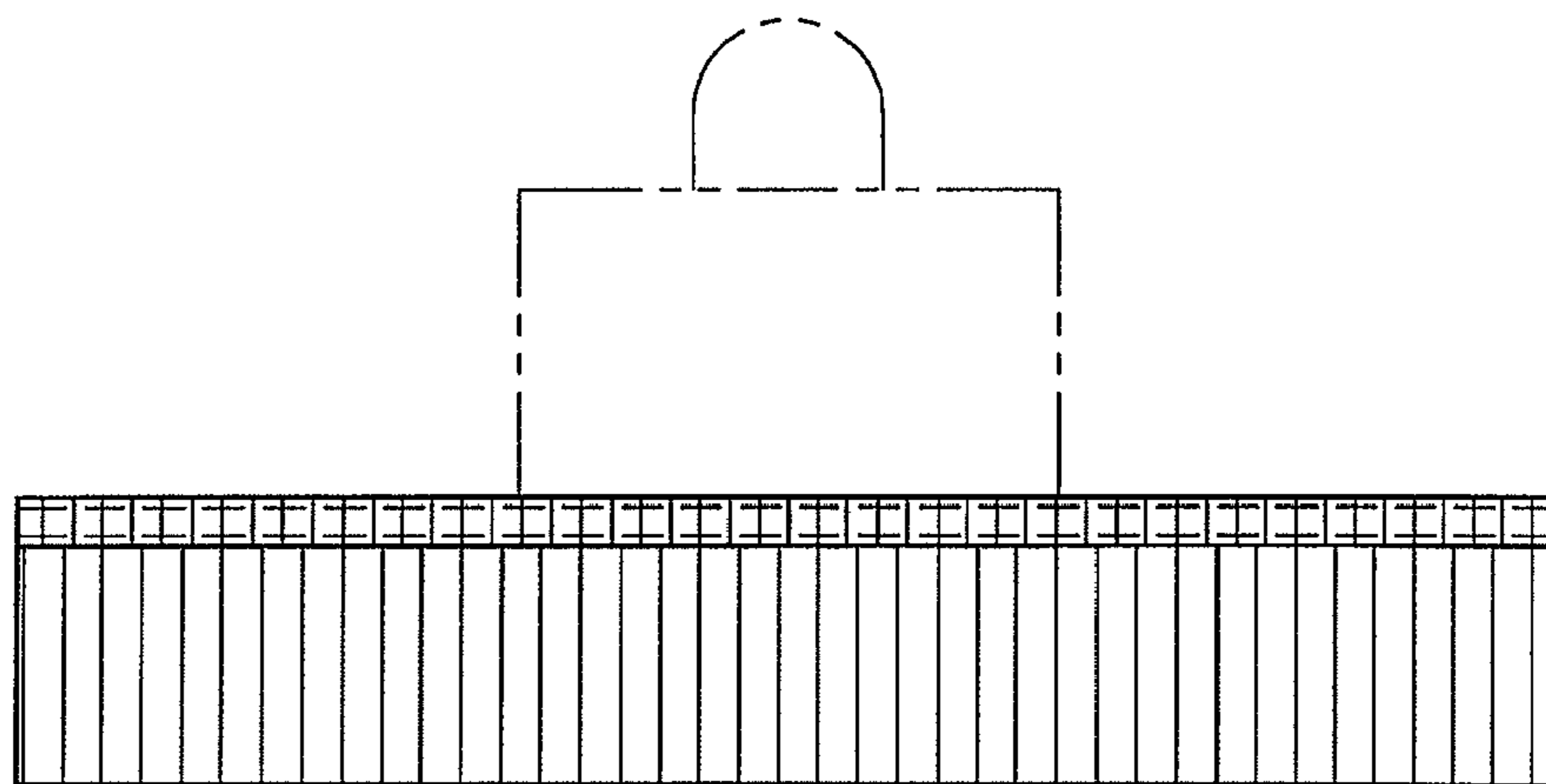


FIG. 13



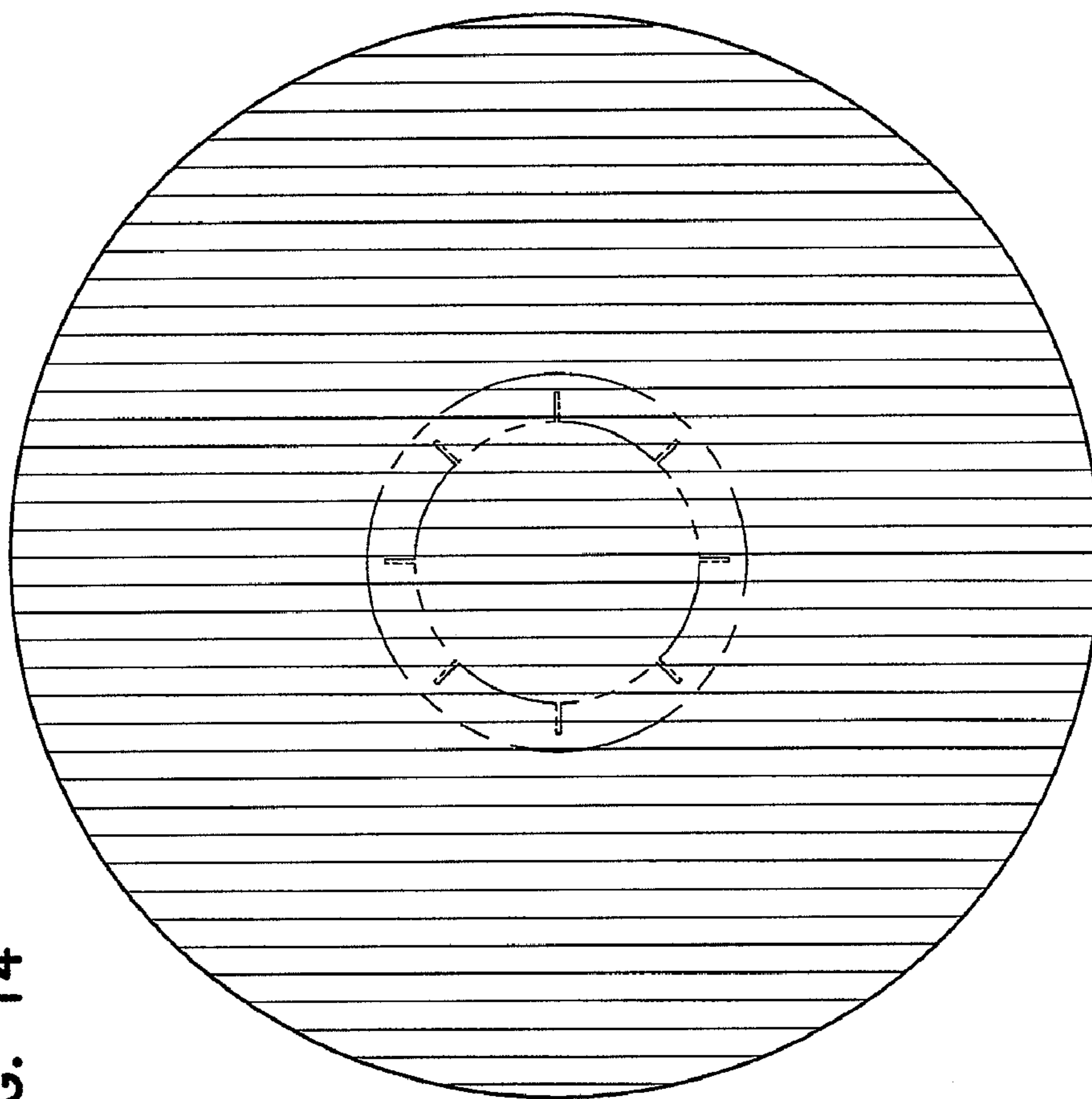


FIG. 14

FIG. 15

