



US00D591007S

(12) **United States Design Patent**
O'Neill

(10) **Patent No.:** **US D591,007 S**

(45) **Date of Patent:** **** Apr. 21, 2009**

(54) **PANEL MEMBER FOR A FEEDER ASSEMBLY**

(76) Inventor: **Edward J. O'Neill**, 14202 Motters Station Rd., Rocky Ridge, MD (US) 21778

(**) Term: **14 Years**

(21) Appl. No.: **29/299,385**

(22) Filed: **Dec. 25, 2007**

(51) **LOC (9) Cl.** **30-02**

(52) **U.S. Cl.** **D30/121; D25/53**

(58) **Field of Classification Search** D30/133, D30/121, 129-132, 108, 113, 161, 199; 119/60, 119/58, 59, 61, 51.5, 51.01, 56.1, 51.13, 119/61.3, 57.92, 51.11, 482, 221, 208, 452, 119/52.1, 498, 500; D25/56, 57, 1, 19, 16, D25/26, 13, 32, 15, 18, 22, 33; D21/837, D21/834, 838, 811, 470, 511, 479, 491; 52/79.1, 52/584.1, 13, 79.5, 2.17, 2.18, 2.15, 2.22, 52/2.25, 68, 64, 70, 143, 86, 167.1, 274, 52/293.3, 745.08, 79.4, 245, 82, 81.5, 285.3, 52/309.9, 586.1, 79.9, 81.1, 81.4, 80.1, 71, 52/192, 247, 542; 135/131, 132, 98, 97, 135/115, 901, 135, 153, 94, 93, 156, 87, 135/116, 124, 125, 905, 123, 137, 145, 117, 135/120.3, 147, 155, 126, 128, 143, 133, 135/136, 90, 903, 907; 280/19.1; 296/10; 256/26; 414/24.5; 446/7, 478, 112, 122, 446/487; 24/703.1; 273/155; 402/14; 220/4.28, 220/4.33; 206/511; D6/553

See application file for complete search history.

(56) **References Cited**

U.S. PATENT DOCUMENTS

2,057,942 A * 10/1936 Aurele 446/112

(Continued)

Primary Examiner—Susan Moon Lee

(74) *Attorney, Agent, or Firm*—Miller Law Group, PLLC

(57) **CLAIM**

I claim the ornamental design for a panel member for a feeder assembly, as shown and described.

DESCRIPTION

FIG. 1 is a plan view of one face of the panel member showing my new design;

FIG. 2 is a plan view of the opposing face of the panel member;

FIG. 3 is a side elevational view thereof depicting one side of the panel member, the opposing side being identical;

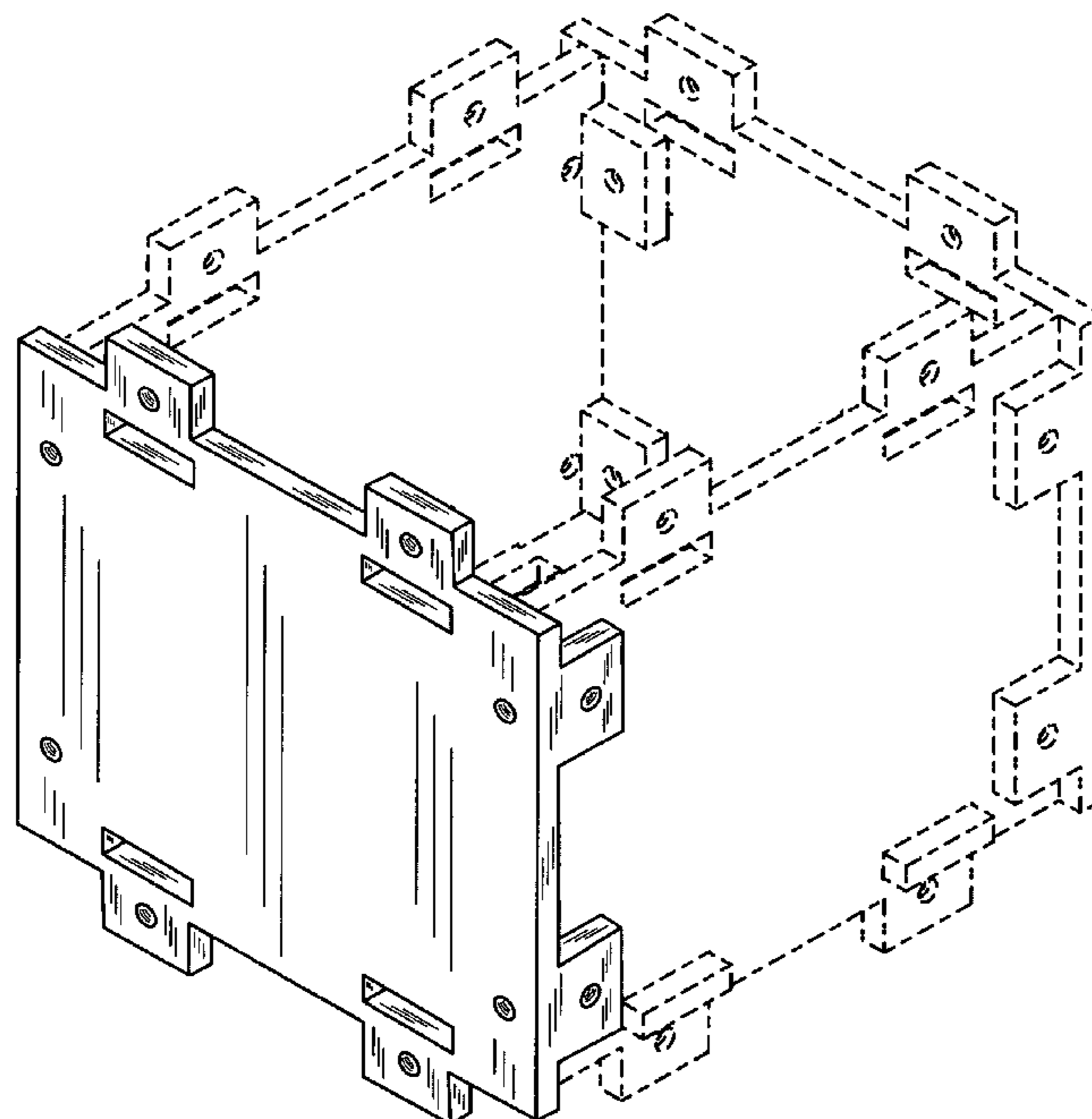
FIG. 4 is a side elevational view of depicting the orthogonal side of the panel member from the view of FIG. 3, the opposing side being identical;

FIG. 5 is an exploded view of a representative feeder assembly with the panel member being shown in a perspective view and other panel members used to form the representative feeder assembly being shown in phantom; and,

FIG. 6 is a perspective view of the representative feeder assembly shown in FIG. 5 with the panel member being shown in a perspective view and the other panel members needed to form the feeder assembly being shown in phantom.

The portions shown in broken line are not claimed.

1 Claim, 5 Drawing Sheets



US D591,007 S

Page 2

U.S. PATENT DOCUMENTS

2,352,002	A *	6/1944	Olsen	52/285.3	4,787,181	A *	11/1988	Witten et al.	52/79.1
2,972,833	A *	2/1961	La Grutta	446/121	4,914,874	A *	4/1990	Graham, Jr.	52/79.1
3,334,798	A *	8/1967	Pezely, Jr. et al.	206/594	5,067,442	A *	11/1991	Schilling	119/60
3,466,790	A *	9/1969	Rady	446/110	D327,187	S *	6/1992	Swon	D6/553
3,546,807	A *	12/1970	August	446/102	5,137,485	A *	8/1992	Penner	446/111
3,727,785	A *	4/1973	Lutz	217/12 R	D332,640	S *	1/1993	Pagel	D21/491
3,760,970	A *	9/1973	Lutz	220/4.28	5,205,241	A *	4/1993	Halpin et al.	119/60
3,819,188	A *	6/1974	Freedman	273/160	5,320,065	A *	6/1994	Leopold	119/498
3,827,177	A *	8/1974	Wengel	446/112	D359,593	S *	6/1995	Schultz	D30/131
3,855,748	A *	12/1974	Thomas	52/578	5,575,701	A *	11/1996	Hantman	446/104
4,002,147	A *	1/1977	Feterl	119/60	5,645,014	A *	7/1997	Chilcote	119/498
4,016,833	A *	4/1977	Ray	119/498	5,746,330	A *	5/1998	DiBetta	211/70.6
4,020,794	A *	5/1977	Nethery	119/58	D423,606	S *	4/2000	Glickman et al.	D21/491
D245,272	S *	8/1977	Einsel et al.	D30/131	6,068,533	A *	5/2000	Glickman et al.	446/111
4,083,464	A *	4/1978	Burnett	217/13	6,089,941	A *	7/2000	Glickman et al.	446/111
4,129,975	A *	12/1978	Gabriel	52/655.2	D434,951	S *	12/2000	Poole	D7/625
4,188,759	A *	2/1980	Liet et al.	52/245	6,176,757	B1 *	1/2001	Lin	446/115
4,253,268	A *	3/1981	Mayr	446/104	6,792,892	B2 *	9/2004	Craig	119/502
4,432,171	A *	2/1984	Boot	52/79.1	D513,347	S *	12/2005	Partridge	D30/131
4,635,411	A *	1/1987	Kurzen	52/71	7,389,618	B1 *	6/2008	Herkstroeter et al.	52/285.3
D296,344	S *	6/1988	Olsen	D21/491	2004/0124191	A1 *	7/2004	Colladon	220/4.01
					2005/0076854	A1 *	4/2005	Passno et al.	119/500

* cited by examiner

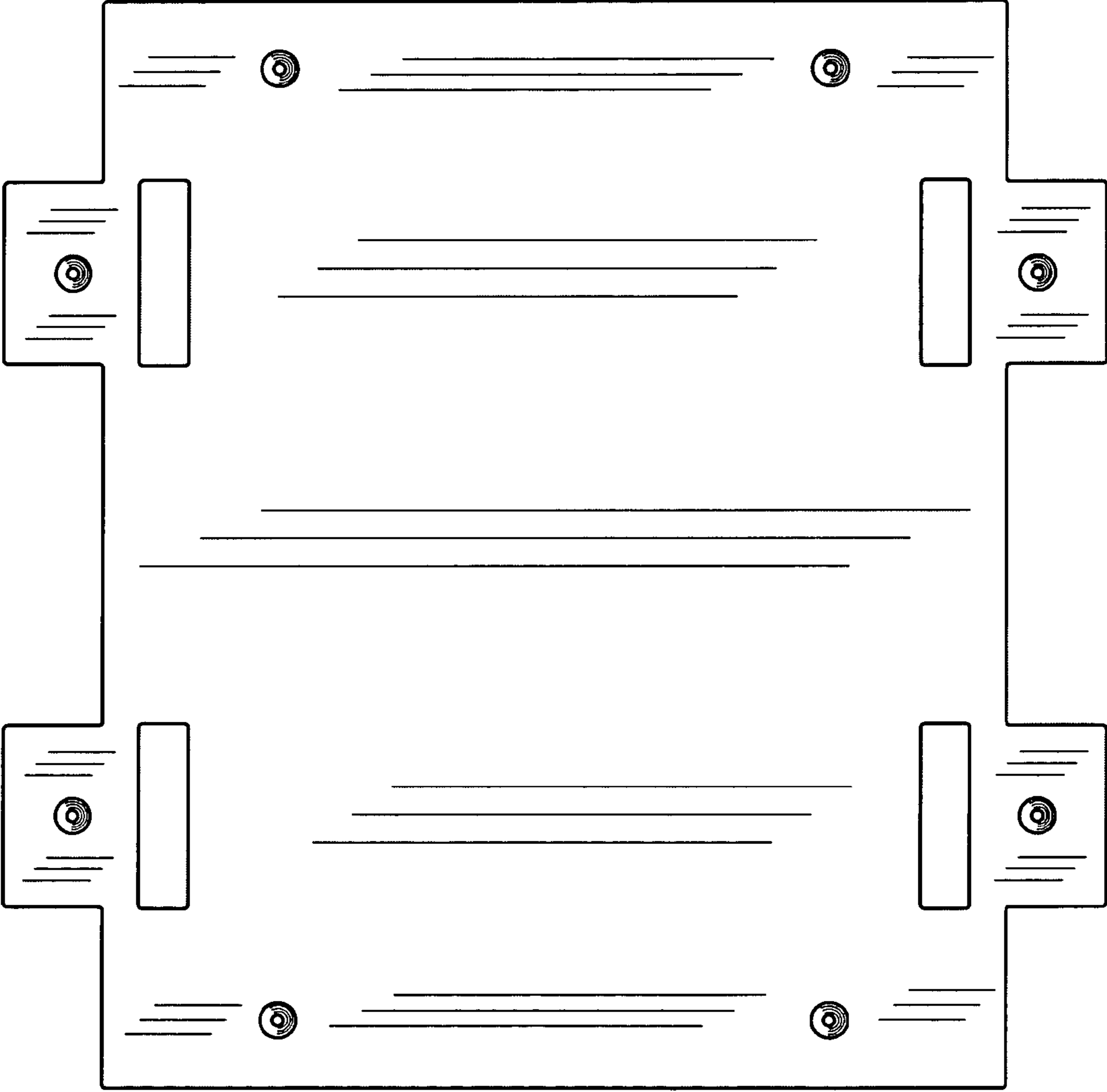


Fig. 1

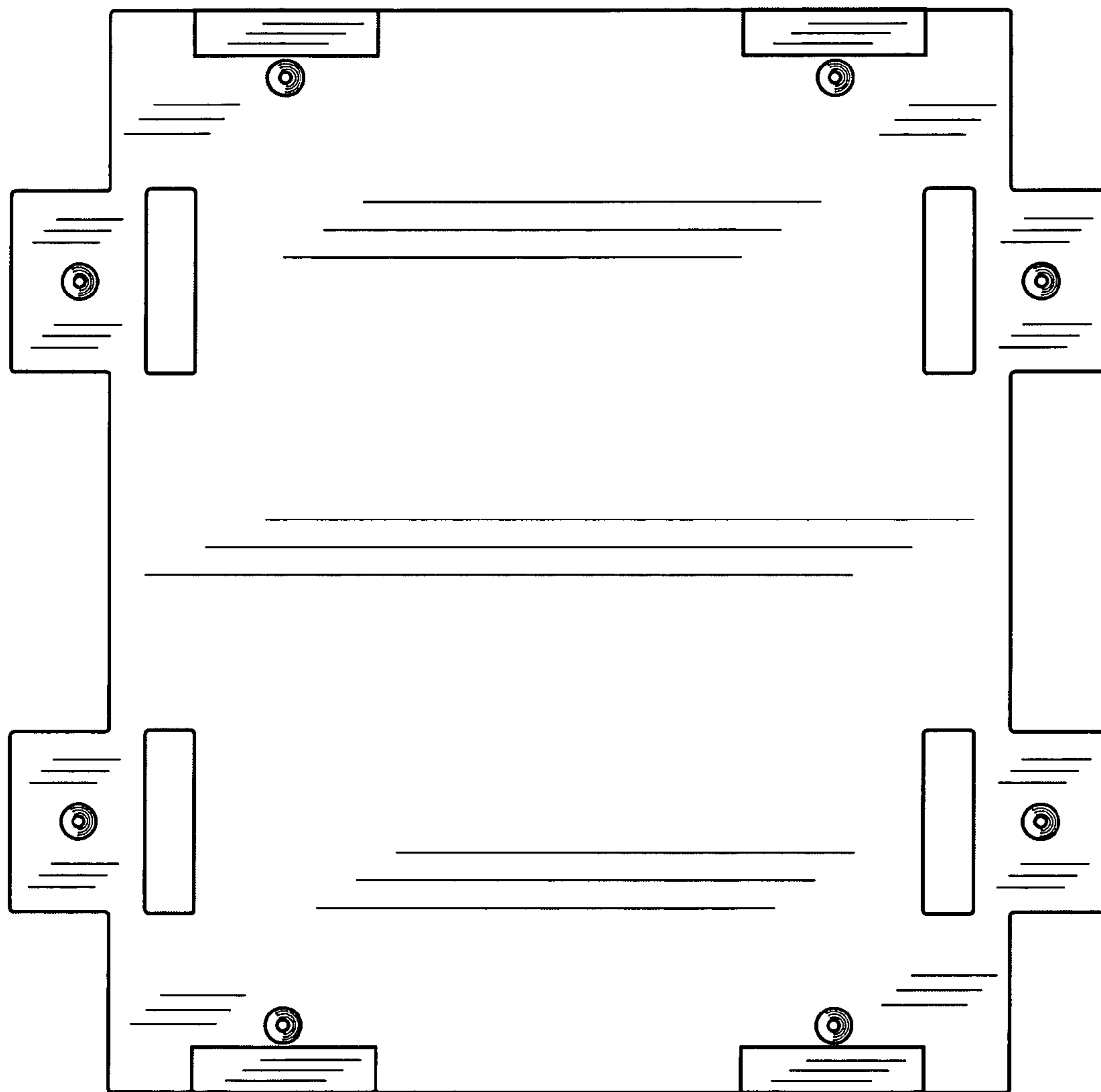


Fig. 2

Fig. 3

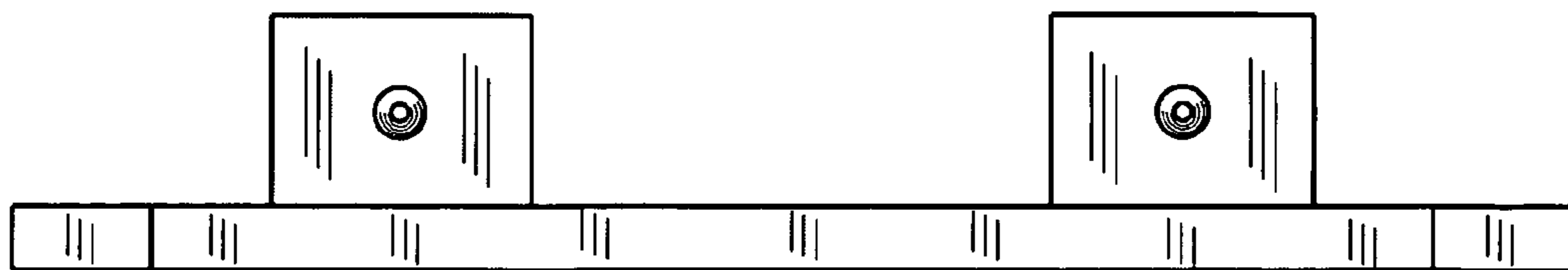
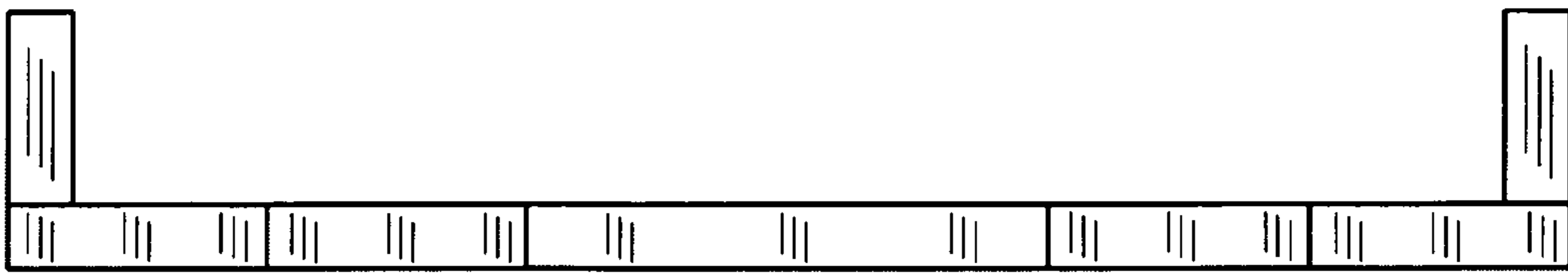


Fig. 4

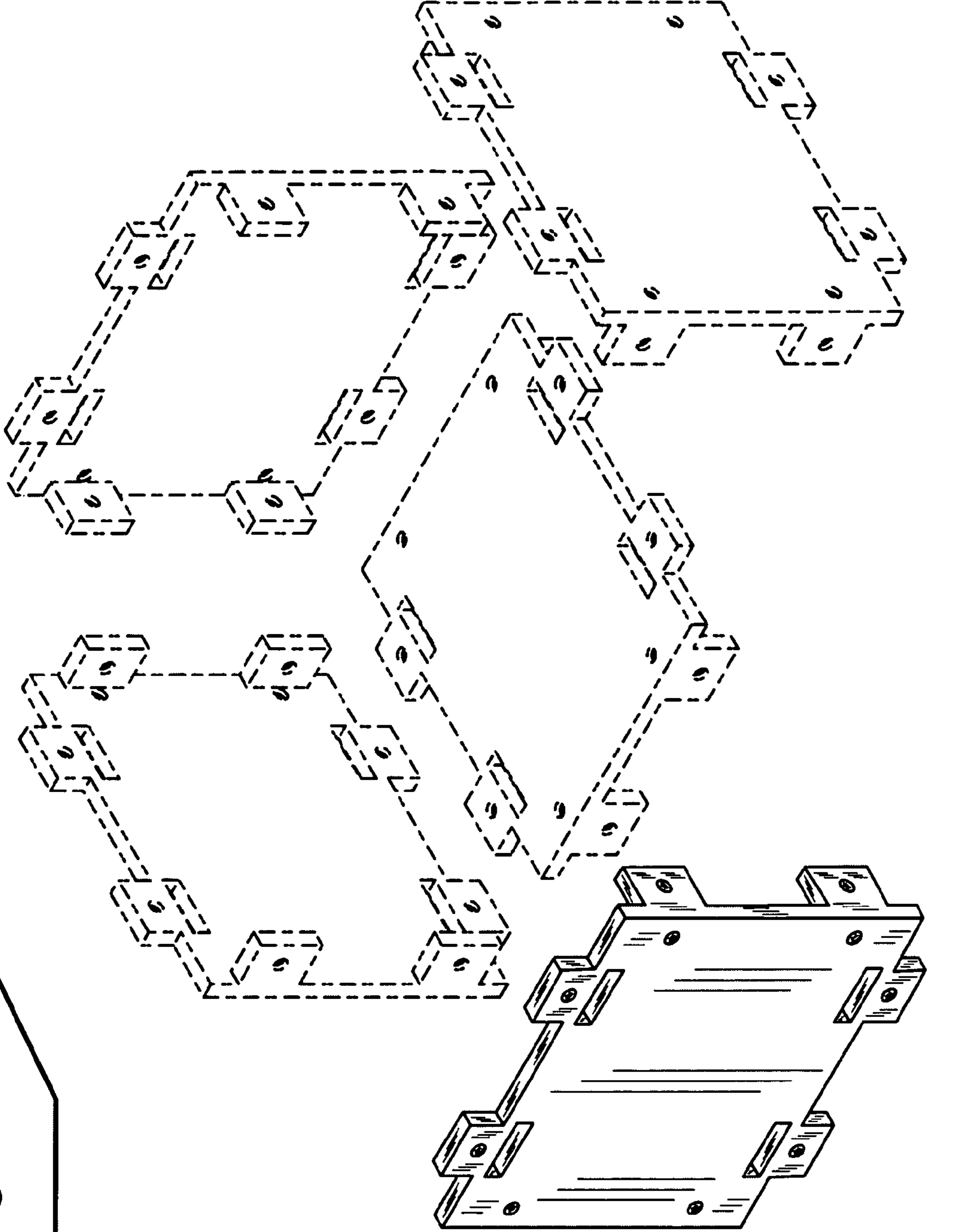


Fig. 5

Fig. 6

