



US00D590995S

(12) **United States Design Patent**  
**Furuta**

(10) **Patent No.:** **US D590,995 S**

(45) **Date of Patent:** **\*\* Apr. 21, 2009**

(54) **SAFETY RAZOR HOLDER**

(75) Inventor: **Tatsuya Furuta**, Gifu (JP)

(73) Assignee: **Kai R & D Center Co., Ltd.**, Gifu (JP)

(\*\*) Term: **14 Years**

(21) Appl. No.: **29/308,617**

(22) Filed: **Jun. 26, 2008**

(30) **Foreign Application Priority Data**

Jan. 31, 2008 (JP) ..... 2008-002117

(51) **LOC (9) Cl.** ..... **28-03**

(52) **U.S. Cl.** ..... **D28/48**

(58) **Field of Classification Search** ..... 30/32,  
30/34.05, 34.1–34.2, 41–41.8, 44–45, 48–50,  
30/526–533; D28/44, 45–48

See application file for complete search history.

(56) **References Cited**

**U.S. PATENT DOCUMENTS**

D446,884 S \* 8/2001 Kohring et al. .... D28/48

D500,171 S \* 12/2004 Lee ..... D28/46

6,880,253 B1 \* 4/2005 Gyllerstrom ..... 30/527

D510,643 S \* 10/2005 Gray ..... D28/48

D534,314 S \* 12/2006 Lee ..... D28/46

D535,056 S \* 1/2007 Wonderley et al. .... D28/46

D542,472 S \* 5/2007 Sakurai ..... D28/48

\* cited by examiner

*Primary Examiner*—Jennifer Rivard

(74) *Attorney, Agent, or Firm*—Jordan and Hamburger LLP

(57) **CLAIM**

The ornamental design for a safety razor holder, as shown and described.

**DESCRIPTION**

FIG. 1 is a front elevational view of a safety razor holder showing my new design;

FIG. 2 is a rear elevational view thereof;

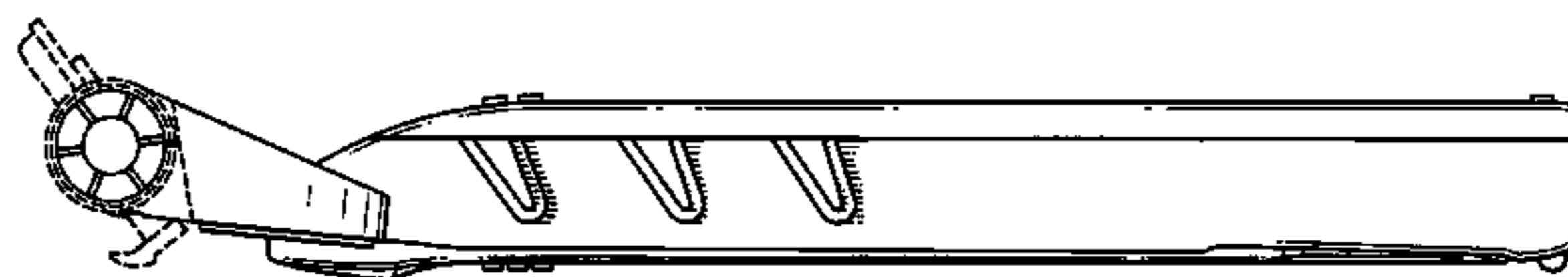
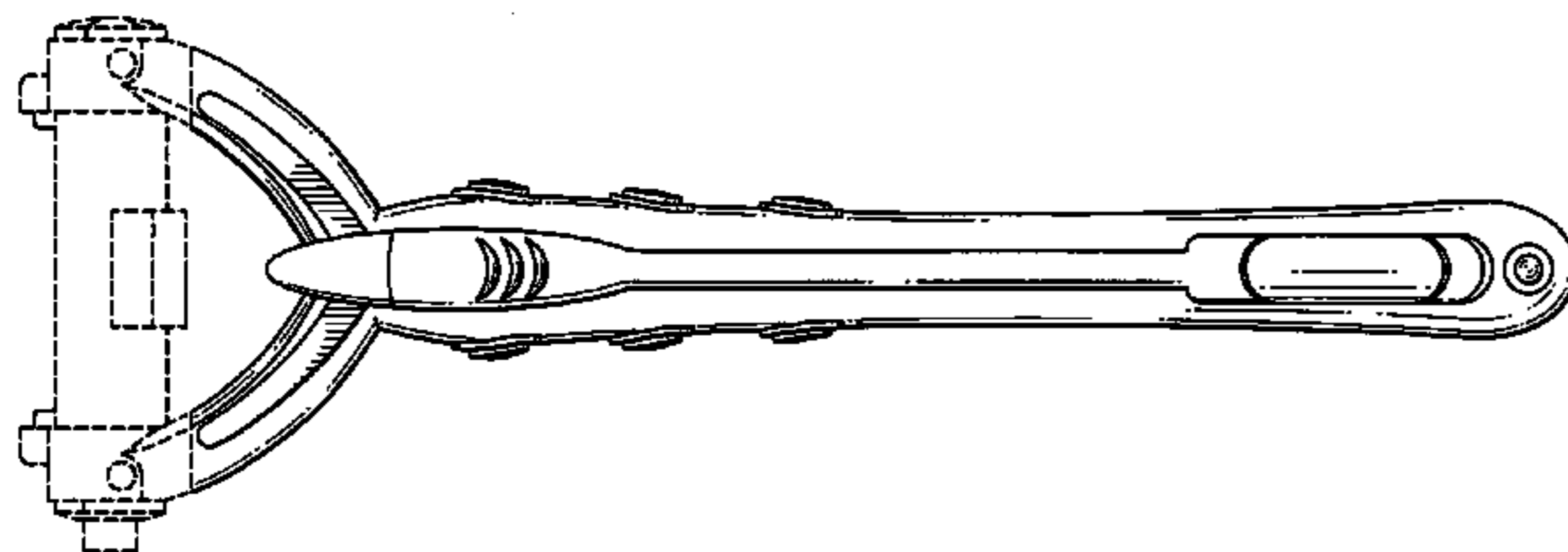
FIG. 3 is a top plan view thereof, the bottom plan view being a mirror image;

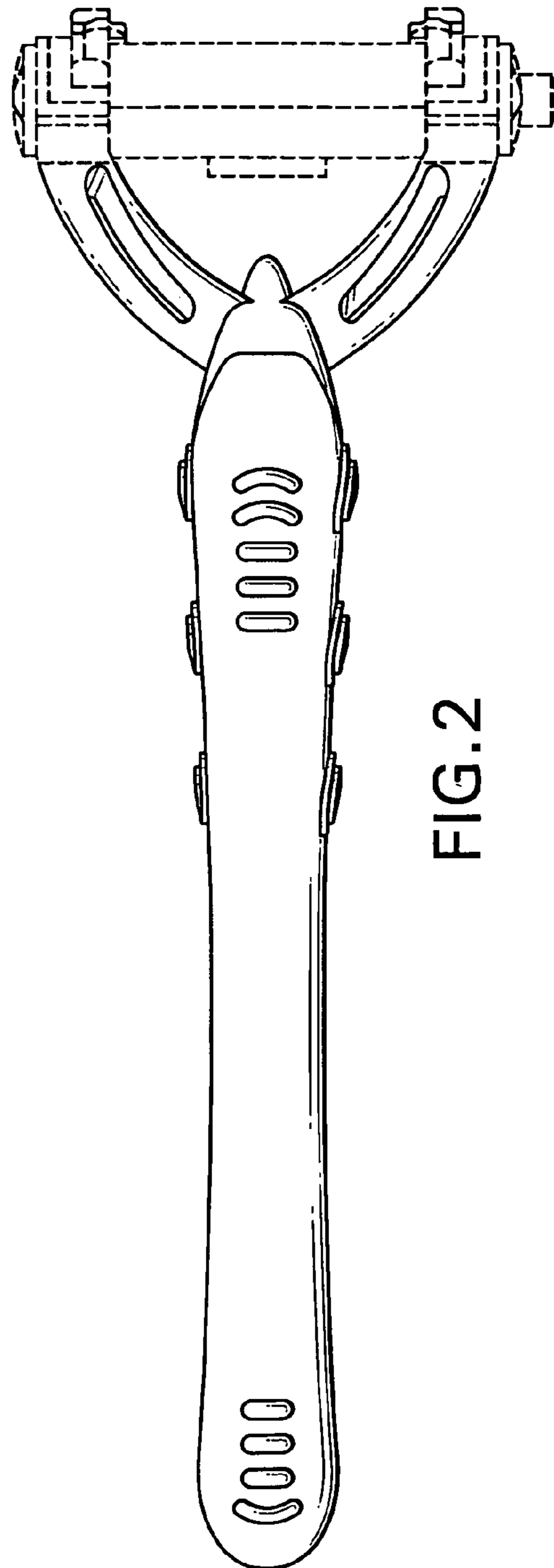
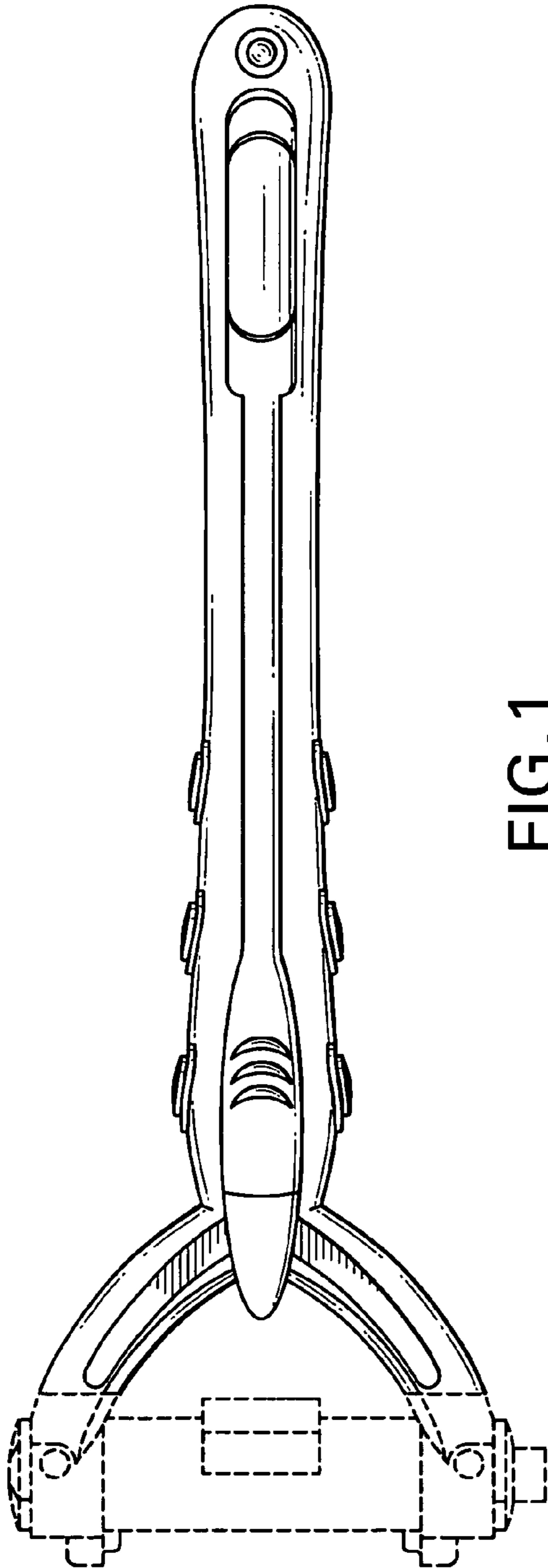
FIG. 4 is a right side elevational view thereof; and,

FIG. 5 is a left side elevational view thereof.

The broken lines connecting the outer solid lines of the razor holder represent the bounds of the claim. The remaining broken lines illustrate portions of the article. None of the broken lines form part of the claimed design.

**1 Claim, 2 Drawing Sheets**





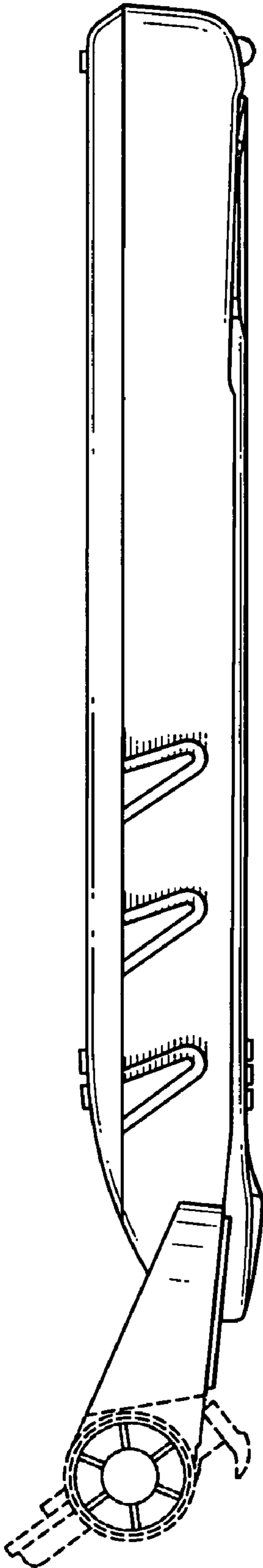


FIG. 3

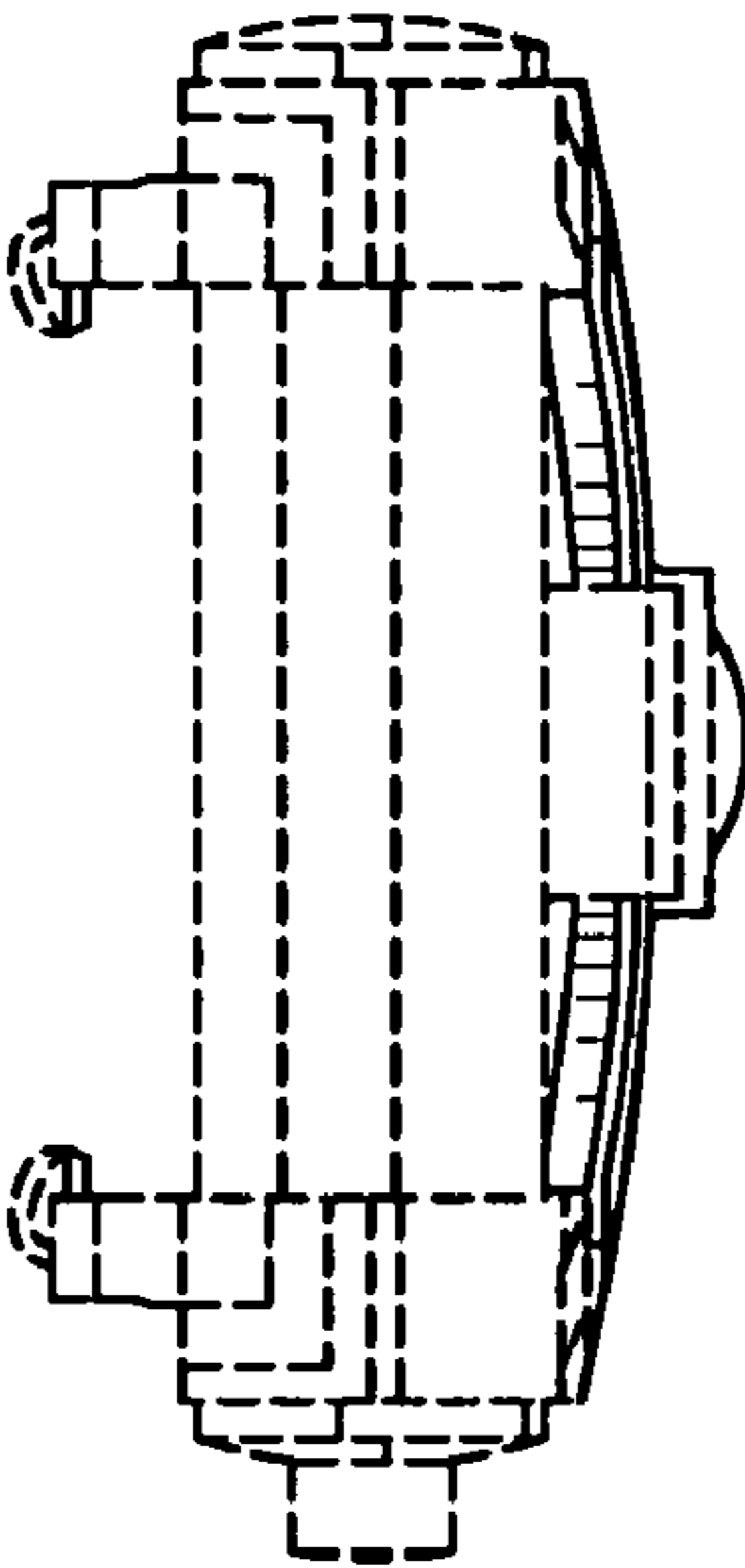


FIG. 4

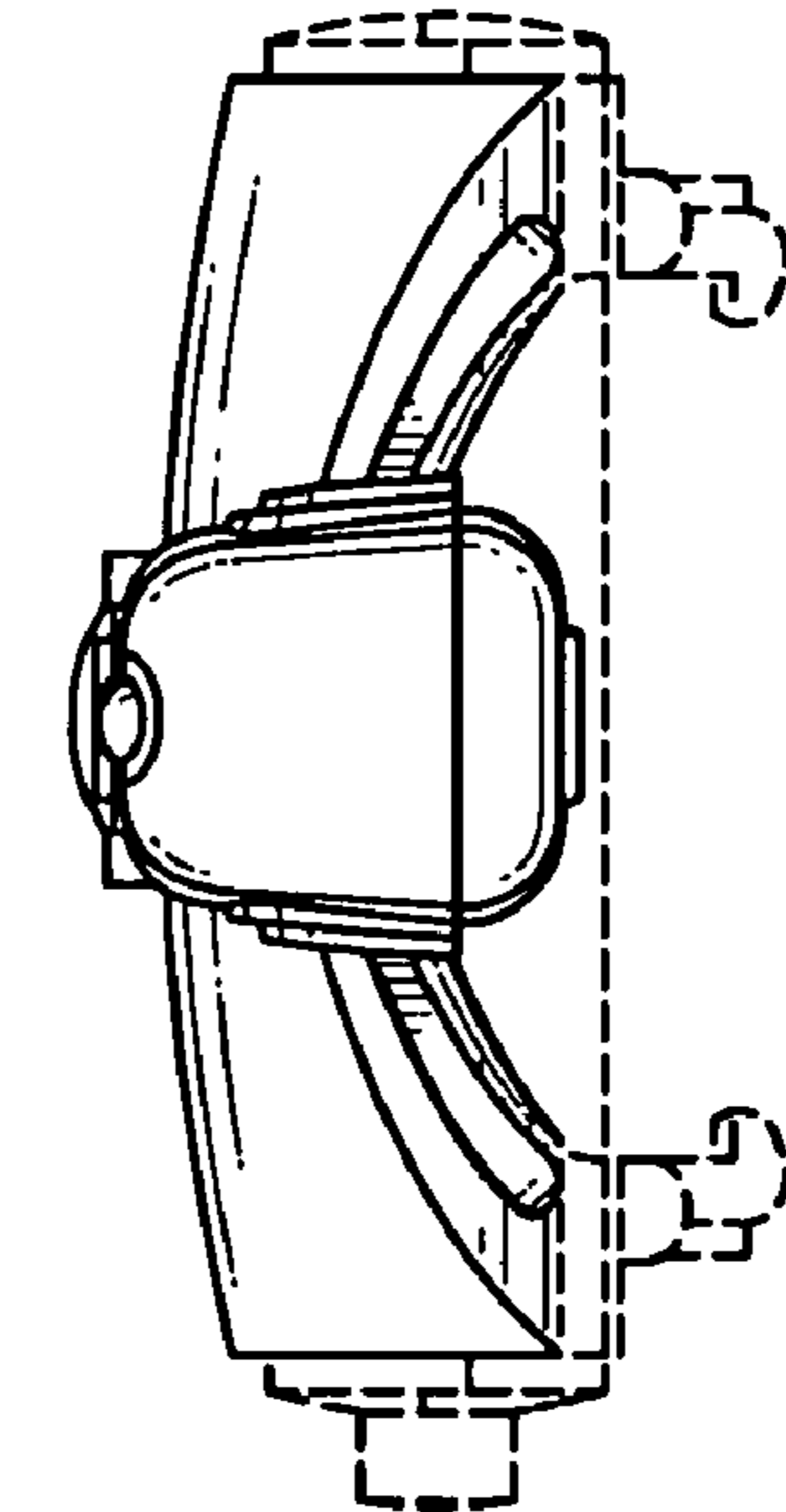


FIG. 5