



US00D590994S

(12) **United States Design Patent**  
**Hsu**

(10) **Patent No.:** **US D590,994 S**  
(45) **Date of Patent:** **\*\* Apr. 21, 2009**

(54) **HAIR CLIP**

2006/0266377 A1\* 11/2006 Hsuwen ..... 132/278

(76) Inventor: **Shih Ling Hsu**, No. 47 Alley 87, Lane  
871, Cheng-Bay Road, Tainan City (TW)  
709

\* cited by examiner

*Primary Examiner*—Janice E Seeger  
*Assistant Examiner*—Zenia I Bennett  
(74) *Attorney, Agent, or Firm*—Bacon & Thomas, PLLC

(\*\*) Term: **14 Years**

(21) Appl. No.: **29/309,245**

(57) **CLAIM**

(22) Filed: **Jul. 11, 2008**

The ornamental design for a hair clip, as shown and described.

(51) **LOC (9) Cl.** ..... **28-03**

(52) **U.S. Cl.** ..... **D28/43**

(58) **Field of Classification Search** ..... D28/21–34,  
D28/39–43; 132/101, 126, 128–131, 144,  
132/148, 219, 275–284

See application file for complete search history.

**DESCRIPTION**

FIG. 1 is a perspective view of a hair clip showing my new design thereof;

FIG. 2 is a front elevational view thereof;

FIG. 3 is a rear elevational view thereof;

FIG. 4 is a left side elevational view thereof;

FIG. 5 is a right side elevational view thereof;

FIG. 6 is a top plan view thereof;

FIG. 7 is a bottom plan view thereof; and,

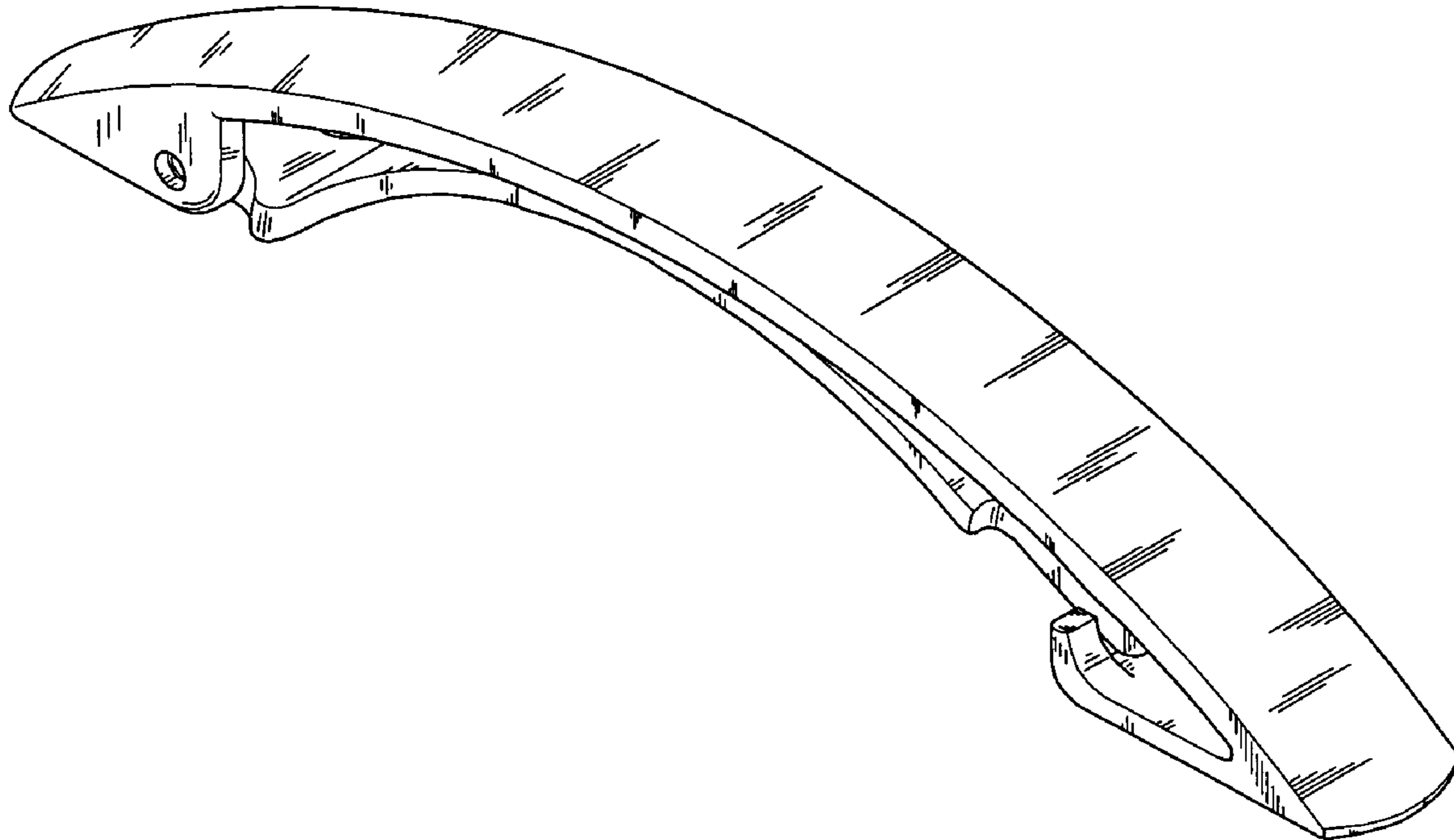
FIG. 8 is a perspective view thereof, illustrating an opening configuration of the hair clip.

(56) **References Cited**

U.S. PATENT DOCUMENTS

1,589,228	A *	6/1926	Robb	.....	24/532
2,767,721	A *	10/1956	Cockley	.....	132/278
D309,835	S *	8/1990	Stone et al.	.....	D6/328
5,259,405	A *	11/1993	Hua-Chou	.....	132/279
6,095,155	A *	8/2000	Criscuolo	.....	132/278
D511,863	S *	11/2005	Lau	.....	D28/42

**1 Claim, 5 Drawing Sheets**



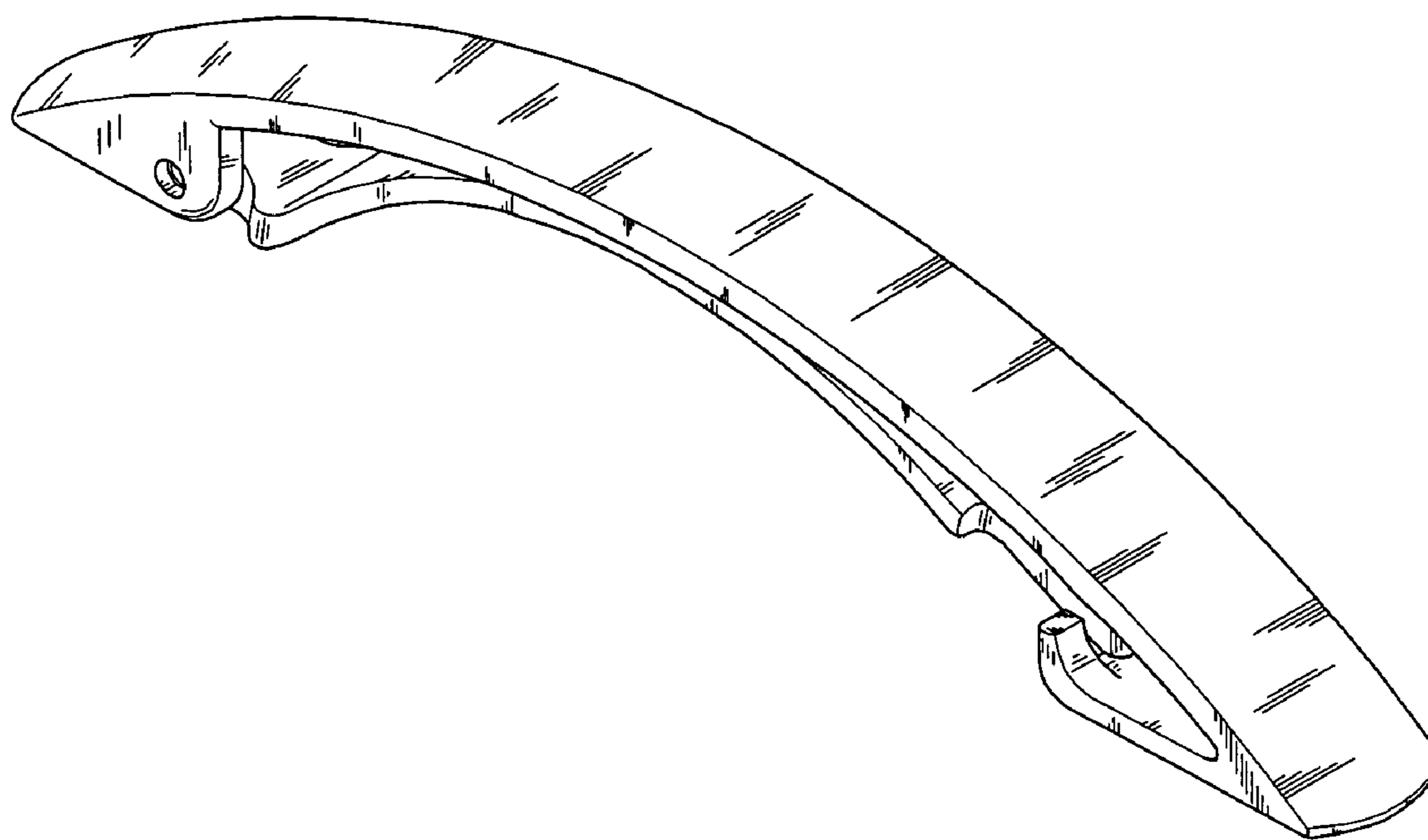


FIG. 1

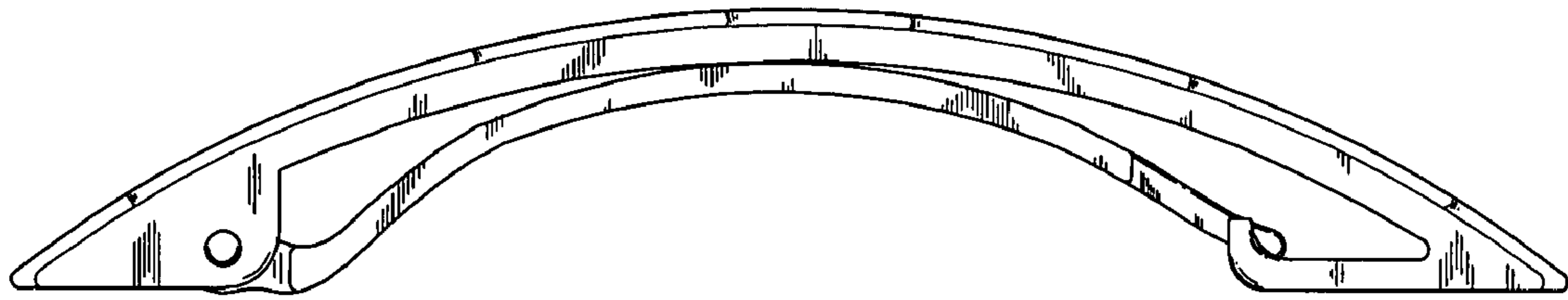


FIG. 2

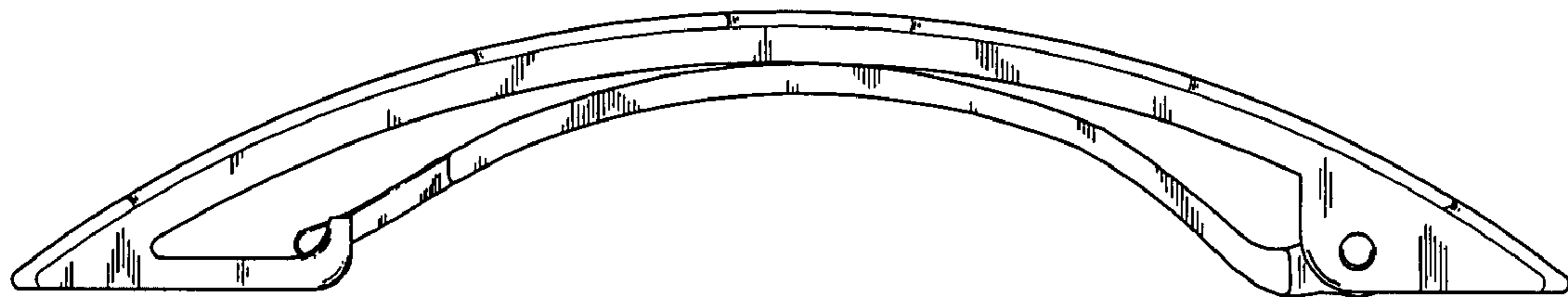
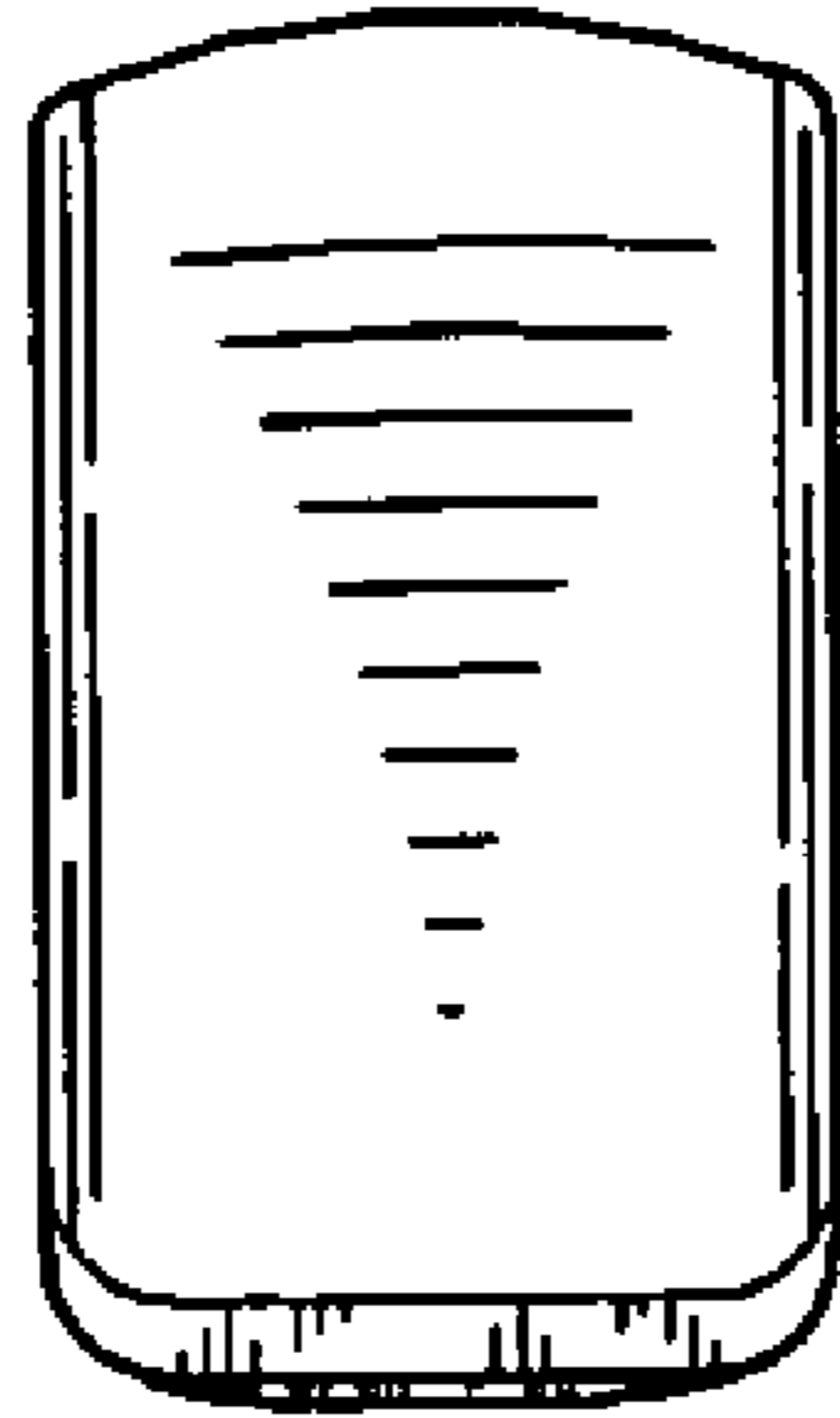
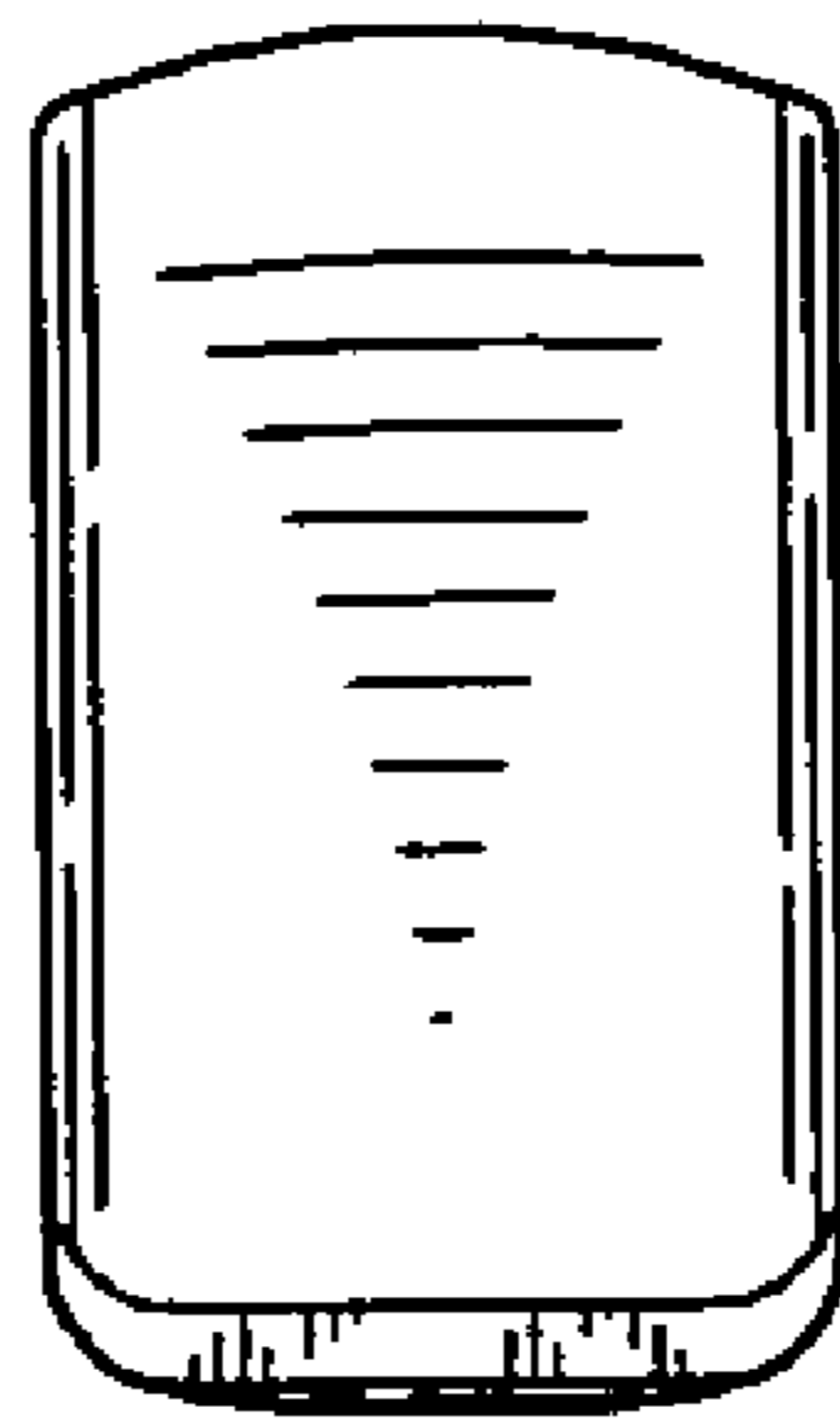


FIG. 3



**FIG. 4**



**FIG. 5**

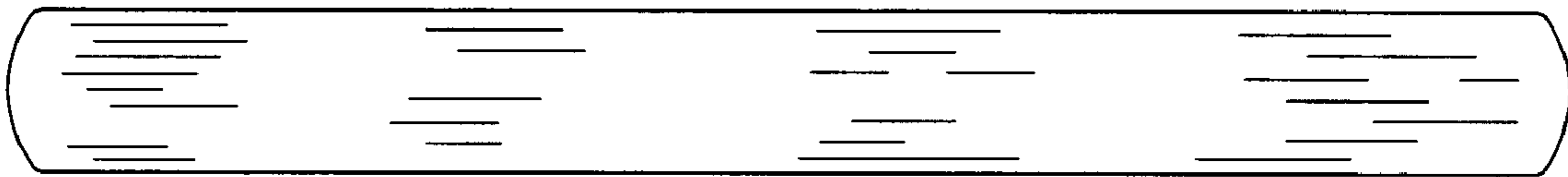


FIG. 6

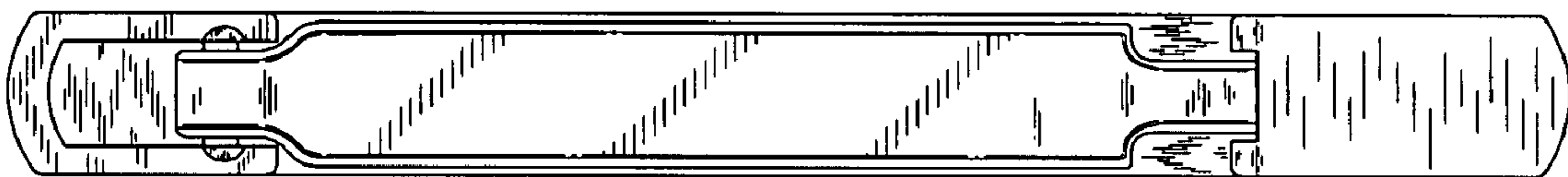


FIG. 7

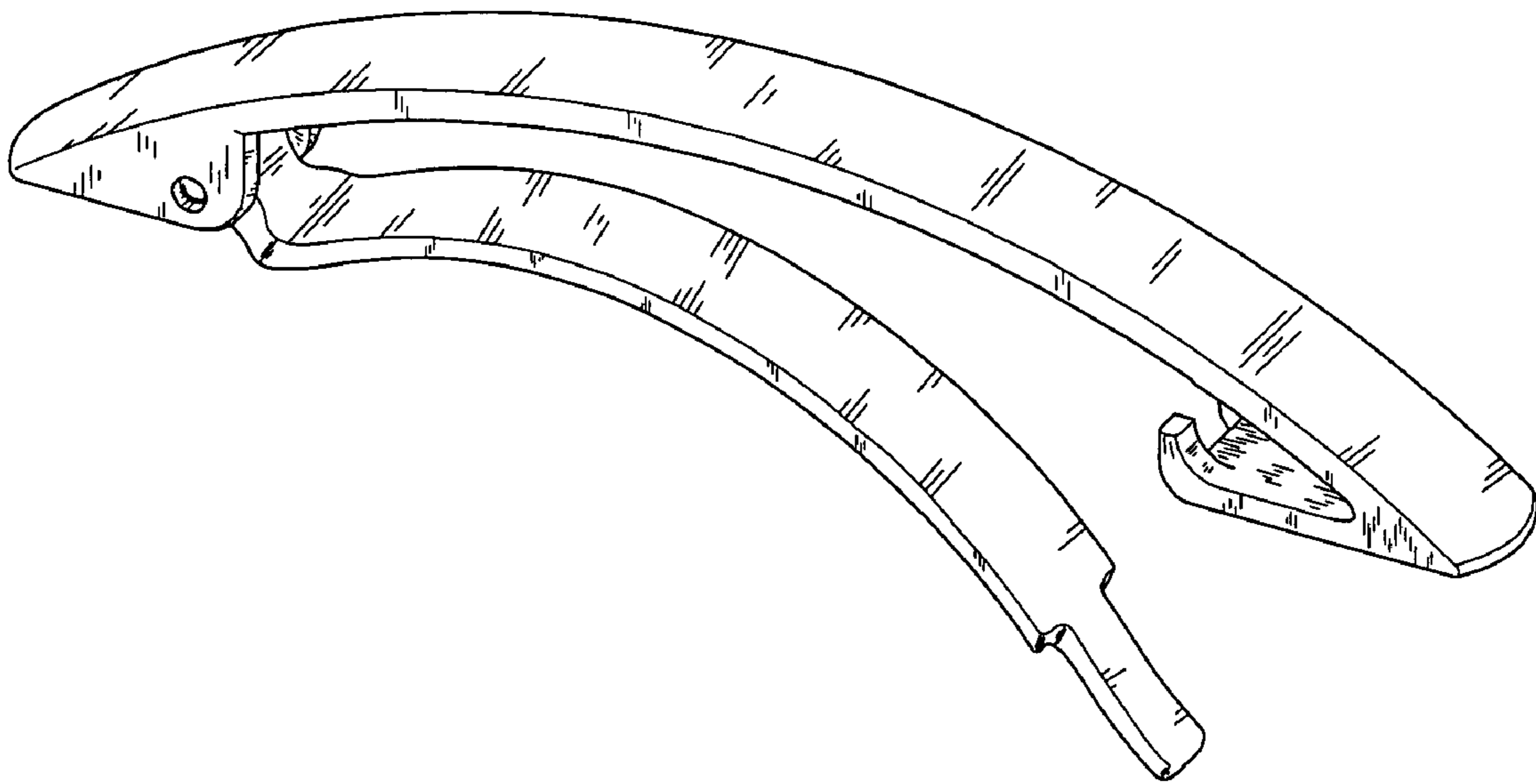


FIG. 8