



US00D590992S

(12) **United States Design Patent**
Ishii et al.

(10) **Patent No.:** **US D590,992 S**
(45) **Date of Patent:** **** Apr. 21, 2009**

(54) **TONER CARTRIDGE**

D511,186 S * 11/2005 Neri et al. D18/56

(75) Inventors: **Makoto Ishii**, Nagoya (JP); **Fumio Morita**, Haguri-gun (JP); **Fumikazu Sato**, Inuyama (JP)

(73) Assignee: **Brother Industries, Ltd.**, Nagoya (JP)

(**) Term: **14 Years**

(21) Appl. No.: **29/222,088**

(22) Filed: **Jan. 27, 2005**

(30) **Foreign Application Priority Data**

Aug. 13, 2004 (JP) 2004-024395

(51) **LOC (9) Cl.** **16-03**

(52) **U.S. Cl.** **D28/43**

(58) **Field of Classification Search** D18/12,
D18/36, 40, 43, 44, 56; D14/462, 469-471;
222/DIG. 1; 347/197, 222; 399/24-28, 107-112,
399/119, 121, 122, 222-224; 400/207, 208

See application file for complete search history.

(56) **References Cited**

U.S. PATENT DOCUMENTS

4,770,554	A *	9/1988	Stout	400/208
4,917,513	A *	4/1990	Takanashi et al.	400/208
4,965,633	A *	10/1990	Surti	D18/43
5,439,303	A *	8/1995	Alday	D18/56
5,638,099	A *	6/1997	Nguyen et al.	D18/56
5,672,017	A *	9/1997	Taniguchi	347/197
D401,618	S *	11/1998	Ikehata	D18/43
5,887,993	A *	3/1999	Nunokawa et al.	400/208
5,921,687	A *	7/1999	Koike et al.	347/197
D419,182	S *	1/2000	Tsuda et al.	D18/43
D422,304	S	4/2000	Suzuki et al.	
D442,216	S	5/2001	Kimura et al.	
D448,042	S *	9/2001	Hale et al.	D18/43
D451,127	S *	11/2001	Katou et al.	D18/43
6,347,895	B1 *	2/2002	Mason et al.	400/208
D471,228	S	3/2003	Okabe et al.	

OTHER PUBLICATIONS

- U.S. Appl. No. 29/197,016, filed Jan. 8, 2004, Suzuki et al.
- U.S. Appl. No. 29/197,018, filed Jan. 8, 2004, Kobayashi et al.
- U.S. Appl. No. 29/197,019, filed Jan. 8, 2004, Kobayashi et al.
- U.S. Appl. No. 29/197,020, filed Jan. 8, 2004, Kobayashi et al.
- U.S. Appl. No. 29/197,021, filed Jan. 8, 2004, Kobayashi et al.
- U.S. Appl. No. 29/197,022, filed Jan. 8, 2004, Kobayashi et al.
- U.S. Appl. No. 29/197,023, filed Jan. 8, 2004, Suzuki et al.
- U.S. Appl. No. 29/197,046, filed Jan. 8, 2004, Kobayashi et al.
- U.S. Appl. No. 29/196,953, filed Jan. 8, 2004, Kobayashi et al.
- U.S. Appl. No. 29/199,278, filed Feb. 12, 2004, Ishii et al.
- U.S. Appl. No. 29/199,251, filed Feb. 12, 2004, Ishii et al.
- U.S. Appl. No. 29/199,336, filed Feb. 12, 2004, Ishii et al.
- U.S. Appl. No. 29/199,333, filed Feb. 12, 2004, Ishii et al.
- U.S. Appl. No. 29/199,275, filed Feb. 12, 2004, Ishii et al.

* cited by examiner

Primary Examiner—Caron Veynar

Assistant Examiner—Garth Rademaker

(74) *Attorney, Agent, or Firm*—Oliff & Berridge, PLC

(57) **CLAIM**

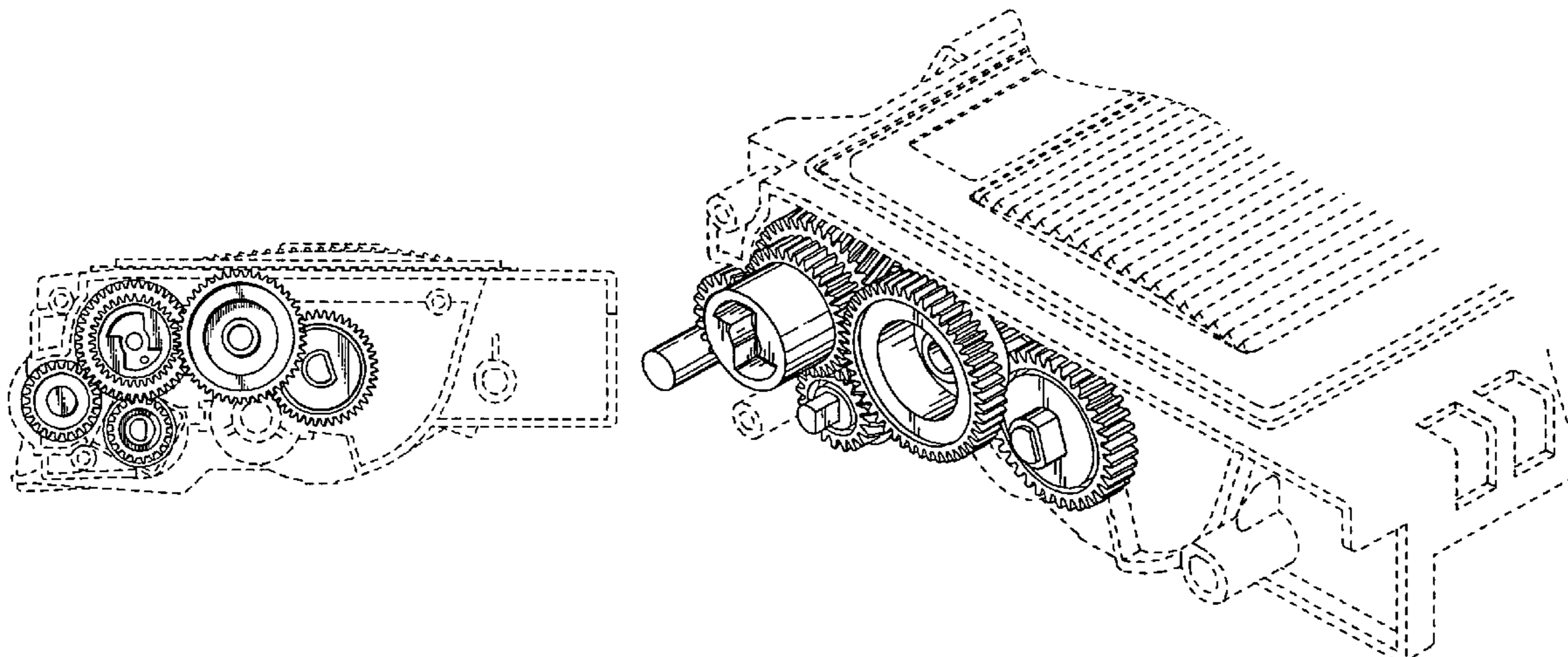
The ornamental design for a toner cartridge, as shown and described.

DESCRIPTION

FIG. 1 is a front view of a toner cartridge;
 FIG. 2 is a top view thereof;
 FIG. 3 is a left-side view thereof;
 FIG. 4 is a rear view thereof;
 FIG. 5 is a bottom view thereof;
 FIG. 6 is a perspective view thereof;
 FIG. 7 is an enlarged partial perspective view of FIG. 6;
 FIG. 8 is another perspective view thereof; and,
 FIG. 9 is an enlarged partial perspective view of FIG. 8.

The broken line showing is for illustrative purposes only and forms no part of the claimed design.

1 Claim, 7 Drawing Sheets



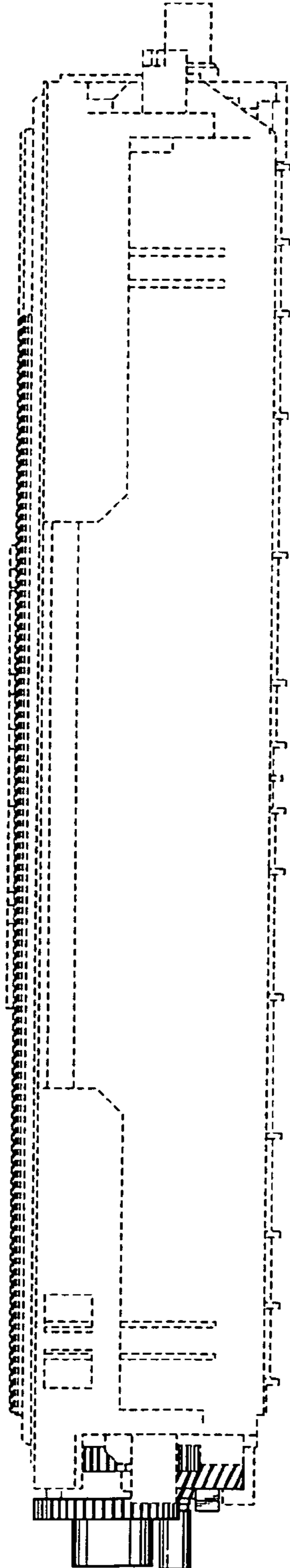


FIG. 1

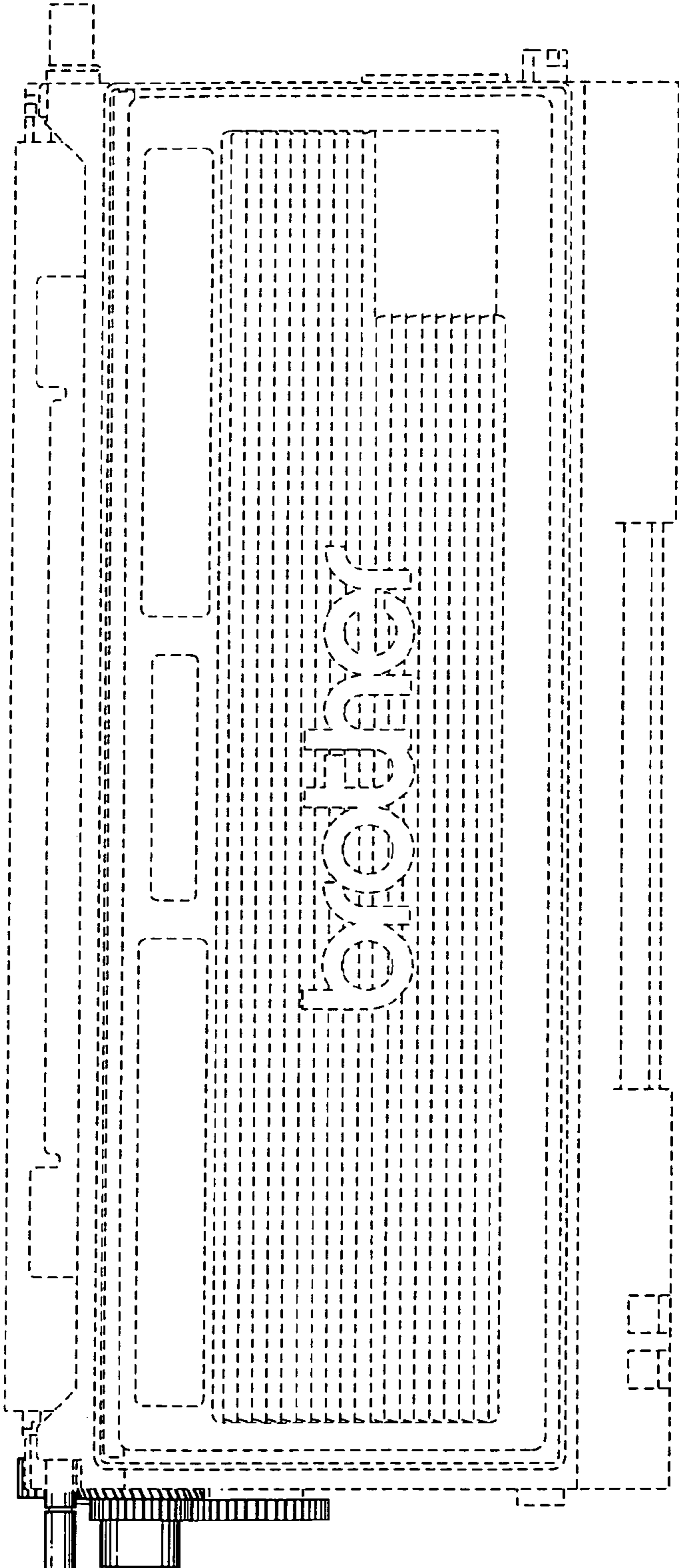


FIG. 2

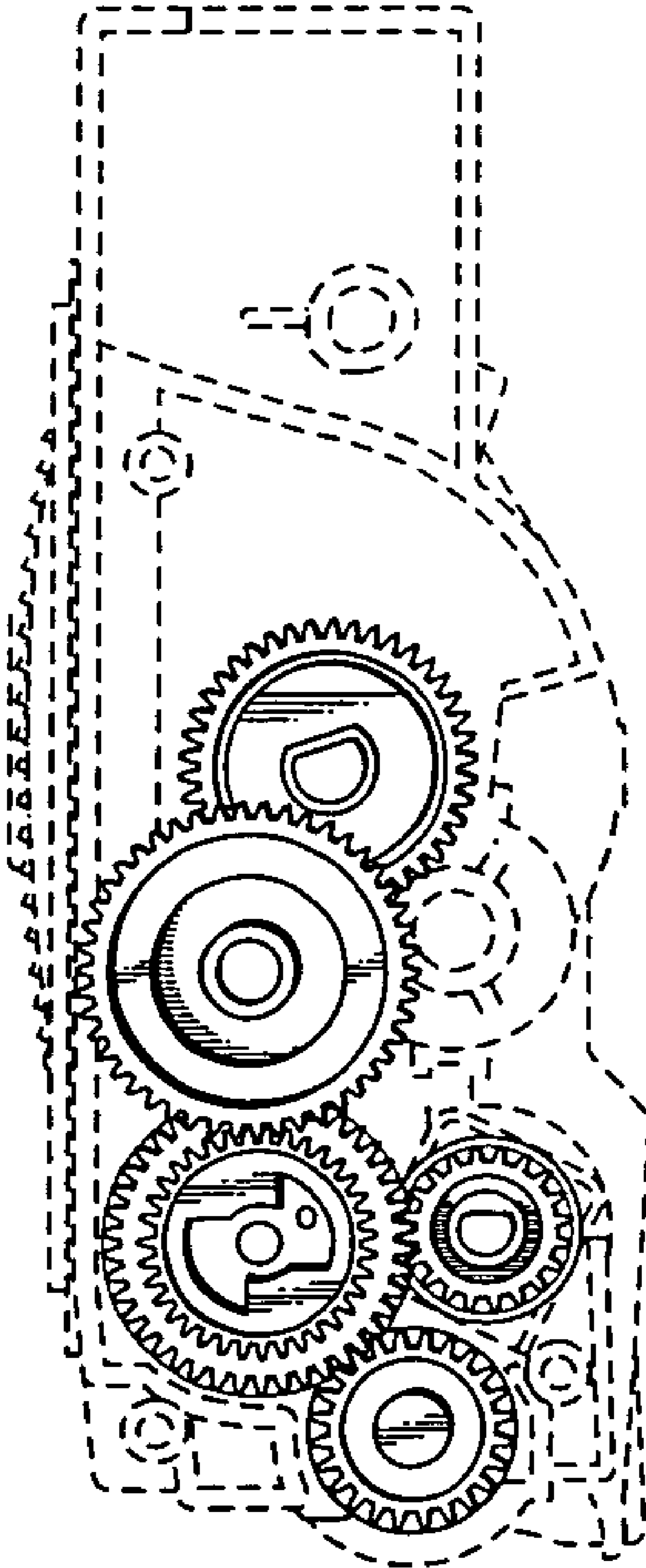


FIG. 3

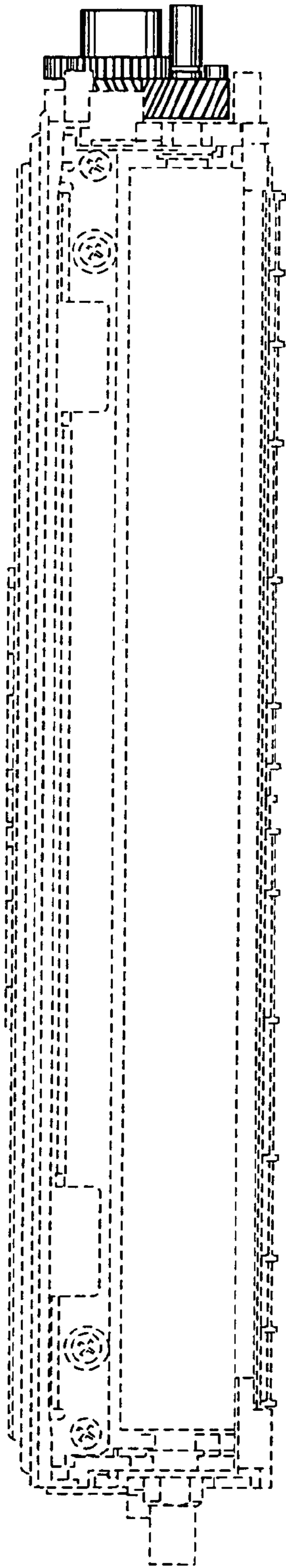


FIG. 4

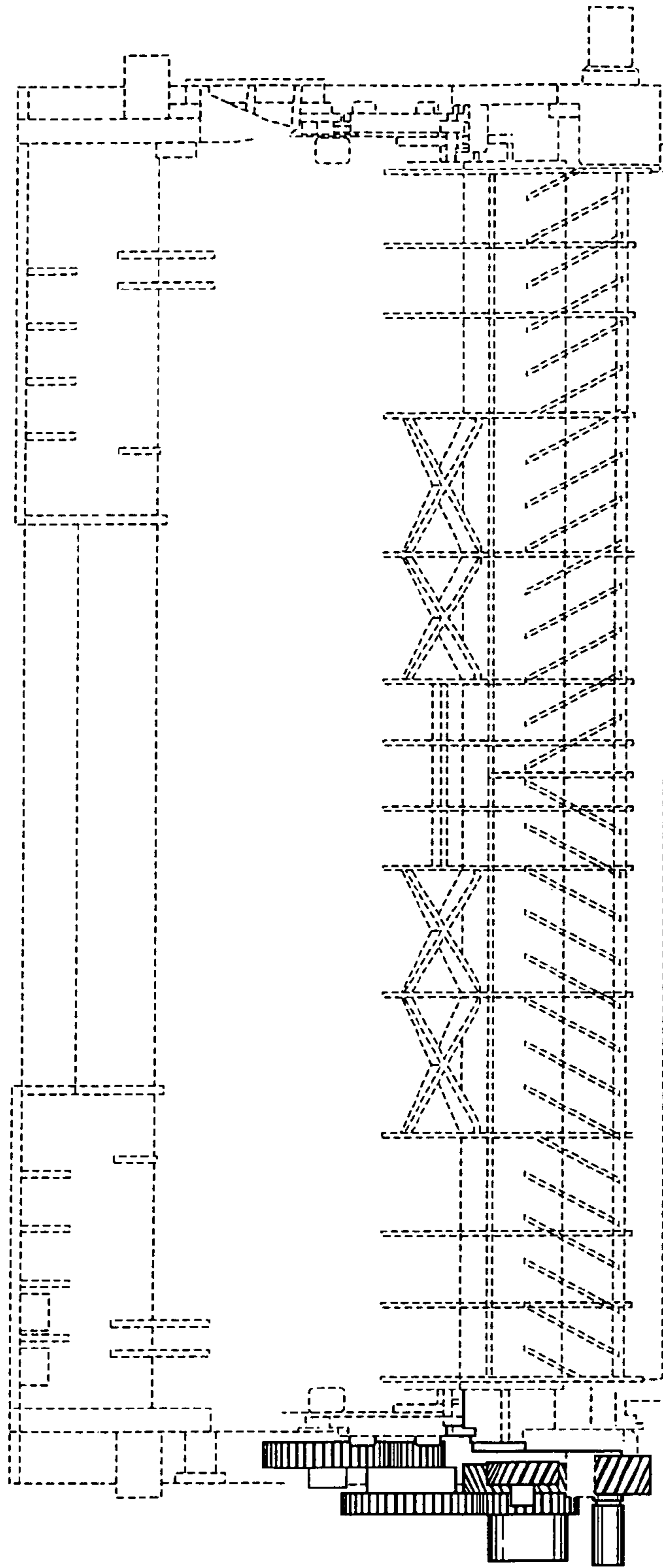


FIG. 5

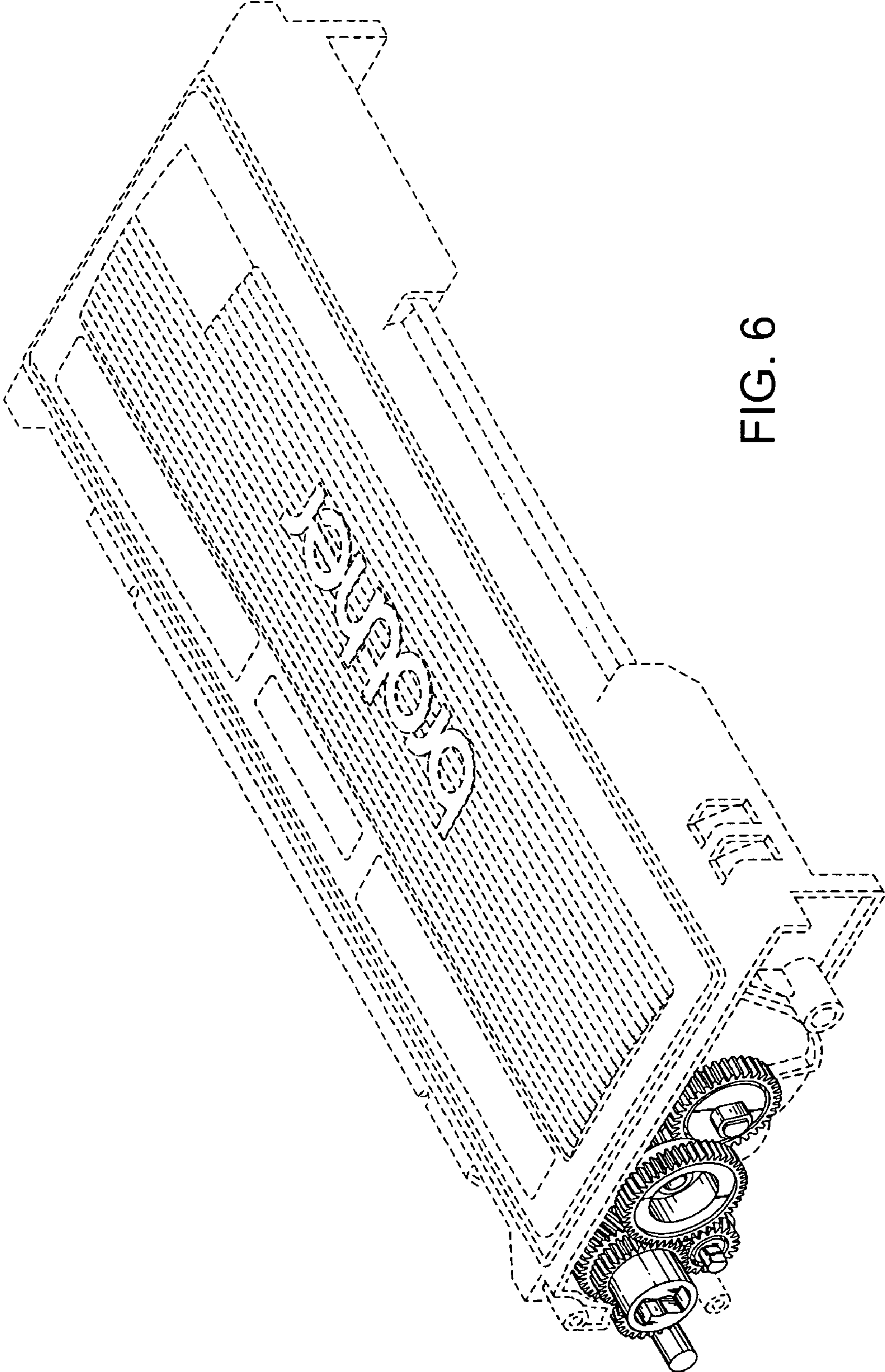


FIG. 6

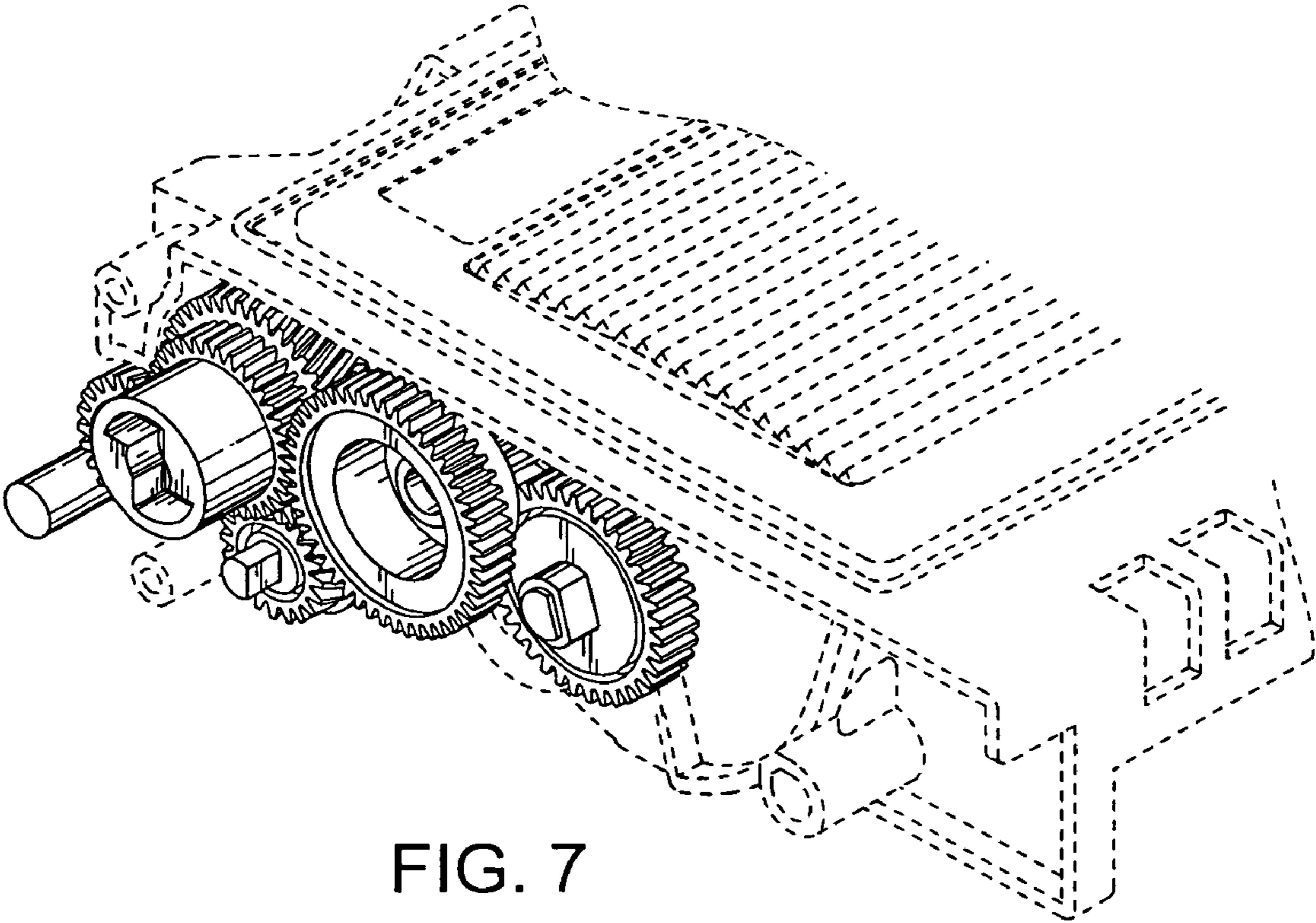


FIG. 7

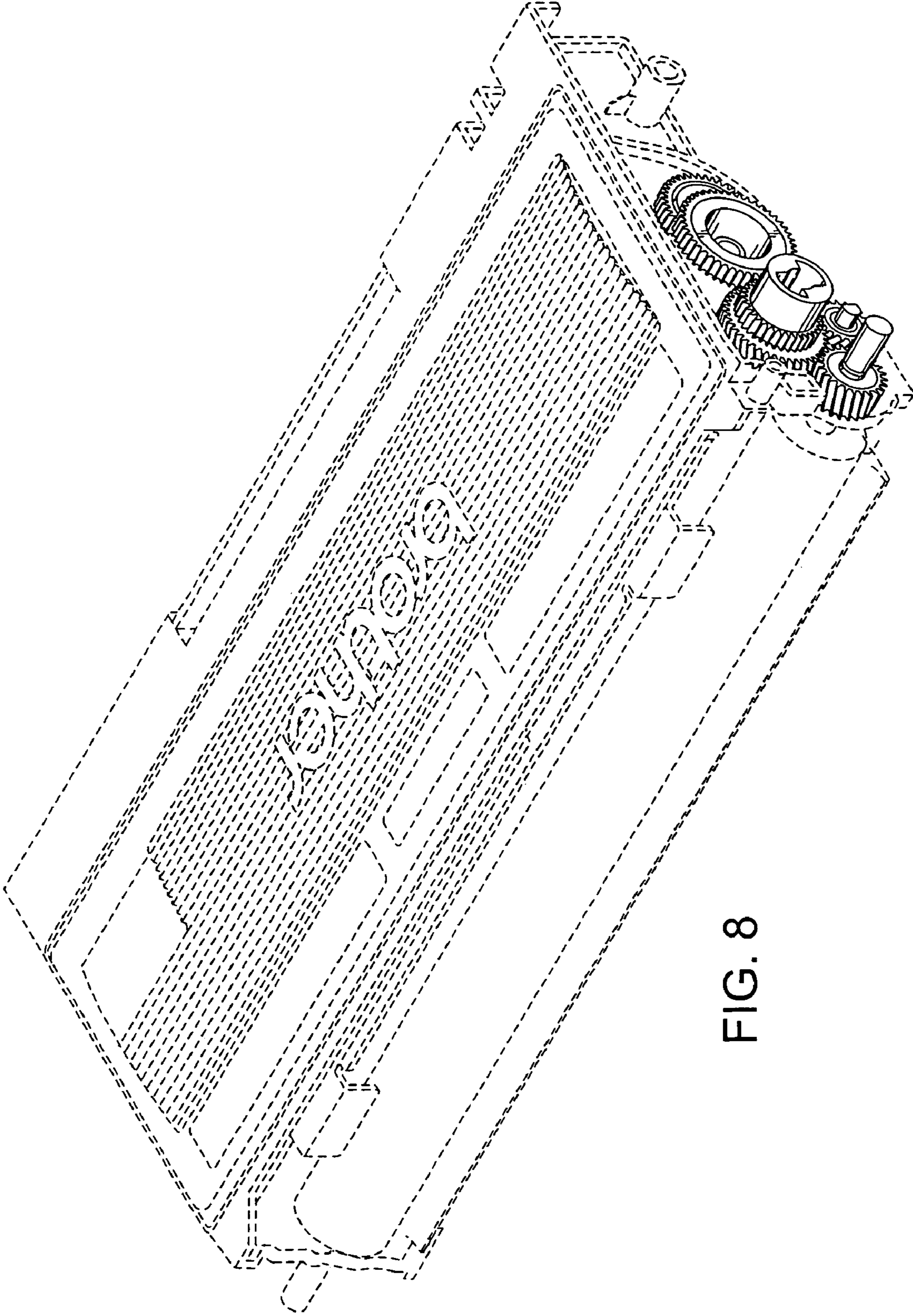


FIG. 8

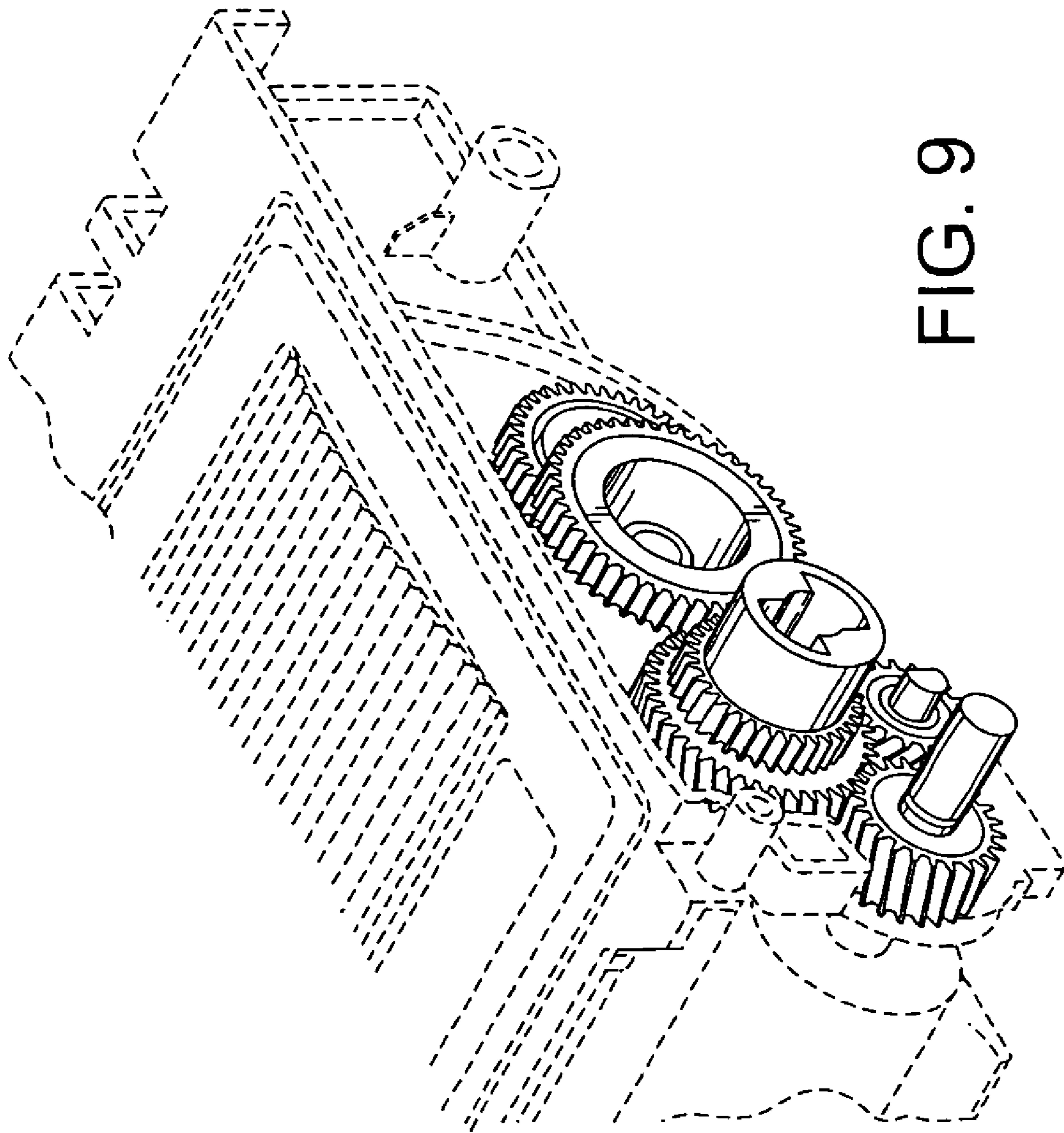


FIG. 9