



(12) **United States Design Patent**
Hon

(10) **Patent No.:** **US D590,991 S**
(45) **Date of Patent:** **** Apr. 21, 2009**

(54) **ELECTRONIC CIGARETTE**

(76) **Inventor:** **Lik Hon**, Rm 1010-12 West Tower, Shun Tak Centre, 168 Connaught Road Central, Hong Kong (HK)

(**) **Term:** **14 Years**

(21) **Appl. No.:** **29/319,782**

(22) **Filed:** **Jun. 13, 2008**

(51) **LOC (9) Cl.** **27-01**

(52) **U.S. Cl.** **D27/101**

(58) **Field of Classification Search** D27/100-101;
131/270-273, 360, 194
See application file for complete search history.

(56) **References Cited**

U.S. PATENT DOCUMENTS

| | | | | | |
|--------------|------|---------|------------------|-------|---------|
| 4,771,796 | A * | 9/1988 | Myer | | 131/273 |
| 5,269,327 | A * | 12/1993 | Counts et al. | | 131/194 |
| 5,611,360 | A * | 3/1997 | Tang | | 131/194 |
| 5,893,371 | A * | 4/1999 | Rose et al. | | 131/270 |
| 5,988,176 | A * | 11/1999 | Baggett et al. | | 131/352 |
| 7,216,652 | B1 * | 5/2007 | Fournier et al. | | 131/365 |
| 7,231,923 | B2 * | 6/2007 | Adiga et al. | | 131/194 |
| 2004/0154630 | A1 * | 8/2004 | Tabuchi et al. | | 131/360 |
| 2004/0200493 | A1 * | 10/2004 | Matsufuji et al. | | 131/360 |
| 2005/0016550 | A1 * | 1/2005 | Katase | | 131/194 |

| | | | | | |
|--------------|------|---------|--------------------|-------|---------|
| 2006/0185687 | A1 * | 8/2006 | Hearn et al. | | 131/360 |
| 2006/0196518 | A1 * | 9/2006 | Hon | | 131/360 |
| 2006/0254604 | A1 * | 11/2006 | Martinez Fernandez | | 131/273 |

* cited by examiner

Primary Examiner—Jennifer Rivard
(74) *Attorney, Agent, or Firm*—Perkins Coie LLP

(57) **CLAIM**

The ornamental design for an electronic cigarette, as shown and described.

DESCRIPTION

FIG. 1 is a top, front and left perspective view of my new design for an electronic cigarette.

FIG. 2 is a top, back and right perspective view.

FIG. 3 is a right side view. The left side view is a mirror image of the right side view.

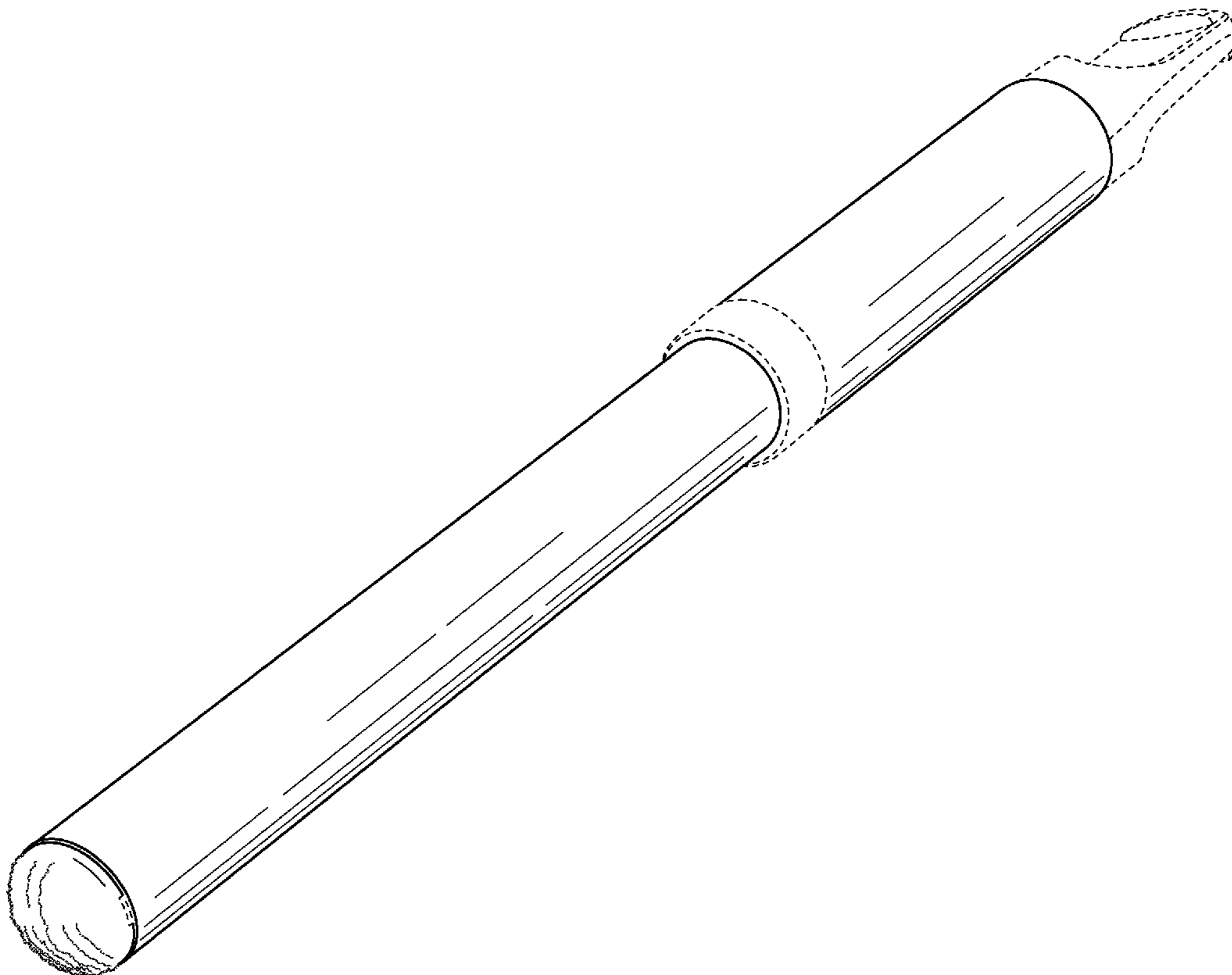
FIG. 4 is a top view. The bottom view is a mirror image of the top view.

FIG. 5 is a front view; and,

FIG. 6 is a back view.

The portions of the drawings shown in dashed broken lines form no part of the claimed design.

1 Claim, 3 Drawing Sheets



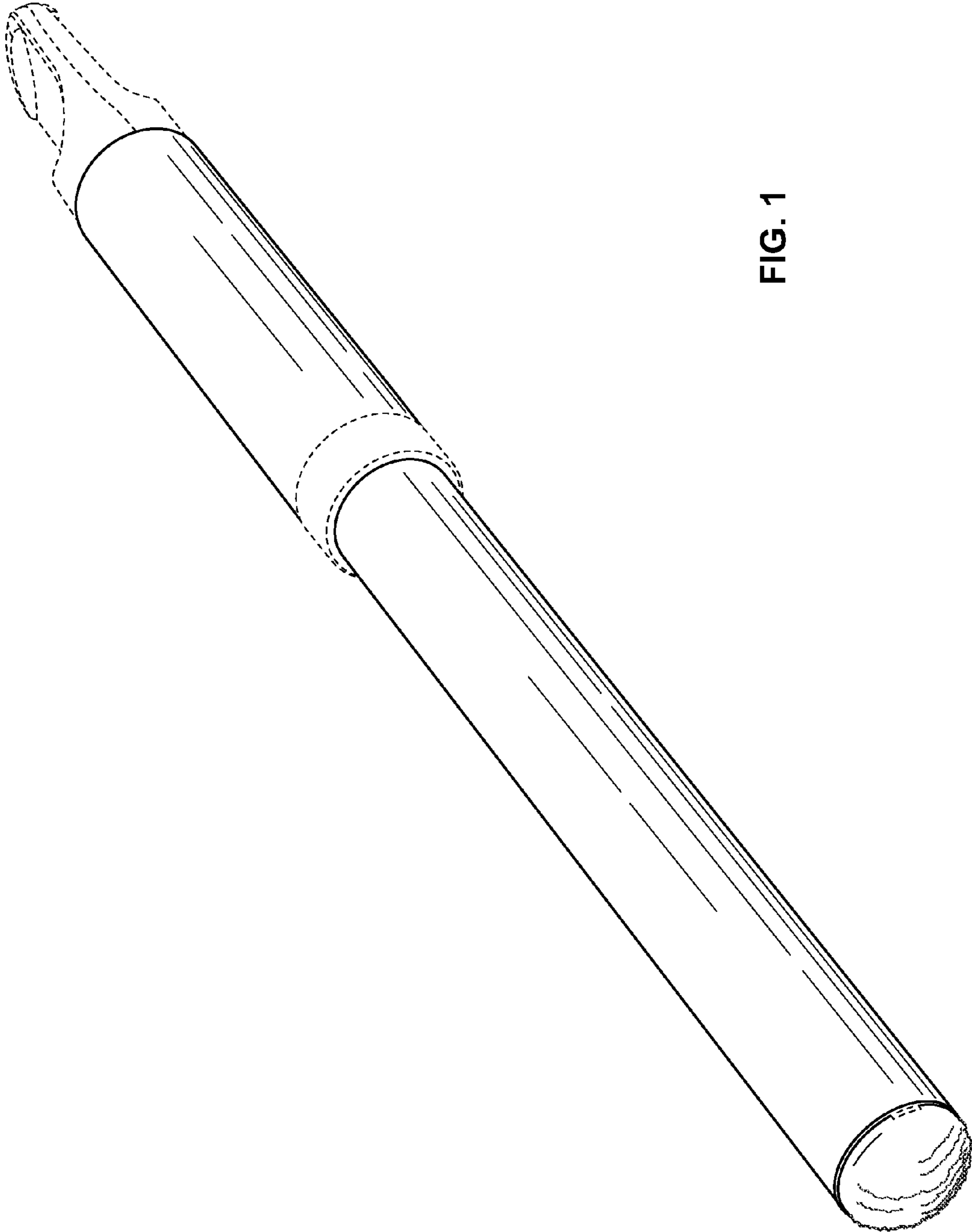


FIG. 1

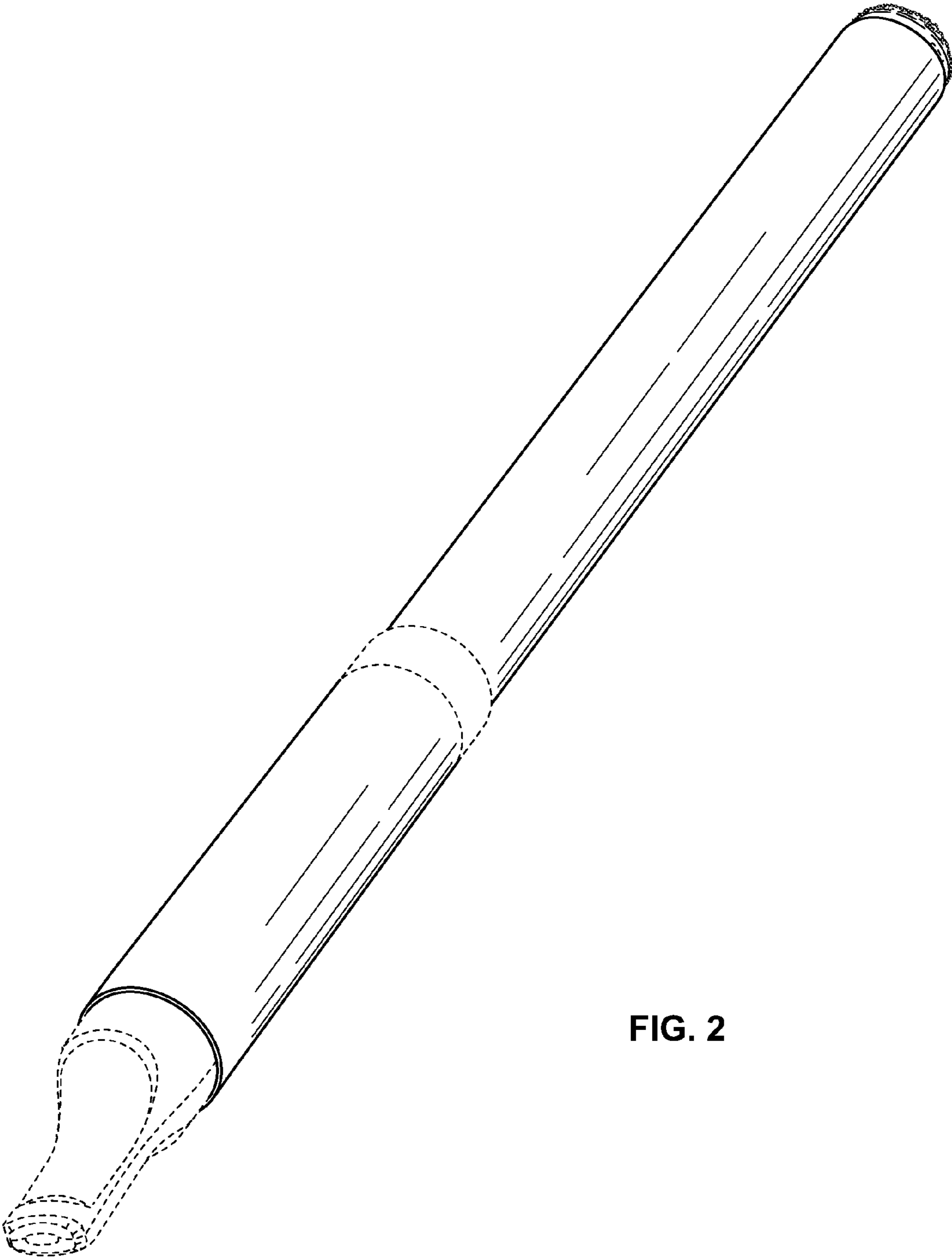


FIG. 2

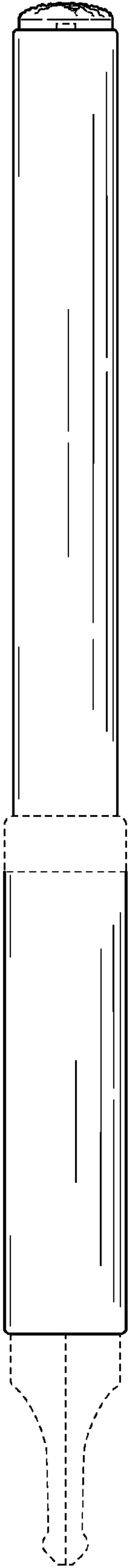


FIG. 3

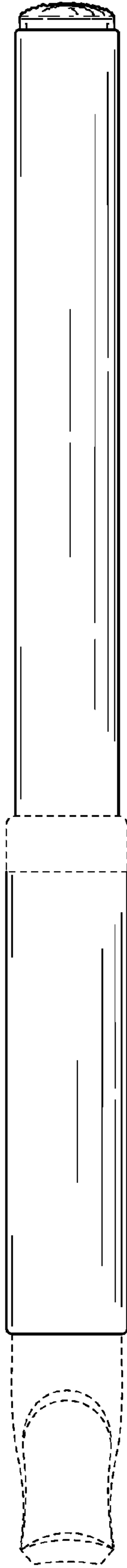


FIG. 4

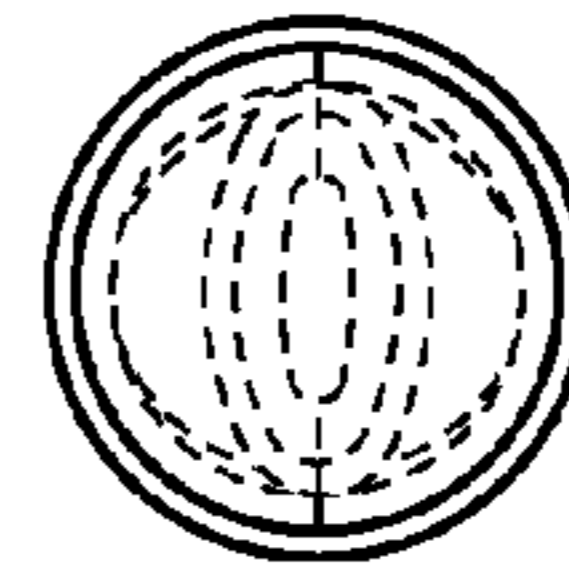


FIG. 6



FIG. 5