



US00D590988S

(12) **United States Design Patent**  
**Hon**

(10) **Patent No.:** **US D590,988 S**

(45) **Date of Patent:** **\*\* Apr. 21, 2009**

(54) **ELECTRONIC CIGARETTE POWER SUPPLY**

(76) **Inventor:** **Lik Hon**, Rm 1010-12 West Tower, Shun Tak Centre, 168 Connaught Road Central, Hong Kong (HK)

(\*\*) **Term:** **14 Years**

(21) **Appl. No.:** **29/319,779**

(22) **Filed:** **Jun. 13, 2008**

(51) **LOC (9) Cl.** ..... **27-01**

(52) **U.S. Cl.** ..... **D27/101**

(58) **Field of Classification Search** ..... D27/100–101;  
131/270–273, 360, 194

See application file for complete search history.

(56) **References Cited**

**U.S. PATENT DOCUMENTS**

|              |      |         |                  |         |
|--------------|------|---------|------------------|---------|
| 4,771,796    | A *  | 9/1988  | Myer             | 131/273 |
| 5,269,327    | A *  | 12/1993 | Counts et al.    | 131/194 |
| 5,611,360    | A *  | 3/1997  | Tang             | 131/194 |
| 5,893,371    | A *  | 4/1999  | Rose et al.      | 131/270 |
| 5,988,176    | A *  | 11/1999 | Baggett et al.   | 131/352 |
| 7,216,652    | B1 * | 5/2007  | Fournier et al.  | 131/365 |
| 7,231,923    | B2 * | 6/2007  | Adiga et al.     | 131/194 |
| 2004/0154630 | A1 * | 8/2004  | Tabuchi et al.   | 131/360 |
| 2004/0200493 | A1 * | 10/2004 | Matsufuji et al. | 131/360 |
| 2005/0016550 | A1 * | 1/2005  | Katase           | 131/194 |

|              |      |         |                    |         |
|--------------|------|---------|--------------------|---------|
| 2006/0185687 | A1 * | 8/2006  | Hearn et al.       | 131/360 |
| 2006/0196518 | A1 * | 9/2006  | Hon                | 131/360 |
| 2006/0254604 | A1 * | 11/2006 | Martinez Fernandez | 131/273 |

\* cited by examiner

*Primary Examiner*—Jennifer Rivard

(74) *Attorney, Agent, or Firm*—Perkins Coie LLP

(57) **CLAIM**

The ornamental design for an electronic cigarette power supply, as shown and described.

**DESCRIPTION**

FIG. 1 is a top, front and left perspective view of my new design for an electronic cigarette power supply.

FIG. 2 is a top, back and right perspective view.

FIG. 3 is a right side view. The left side view is a mirror image of the right side view.

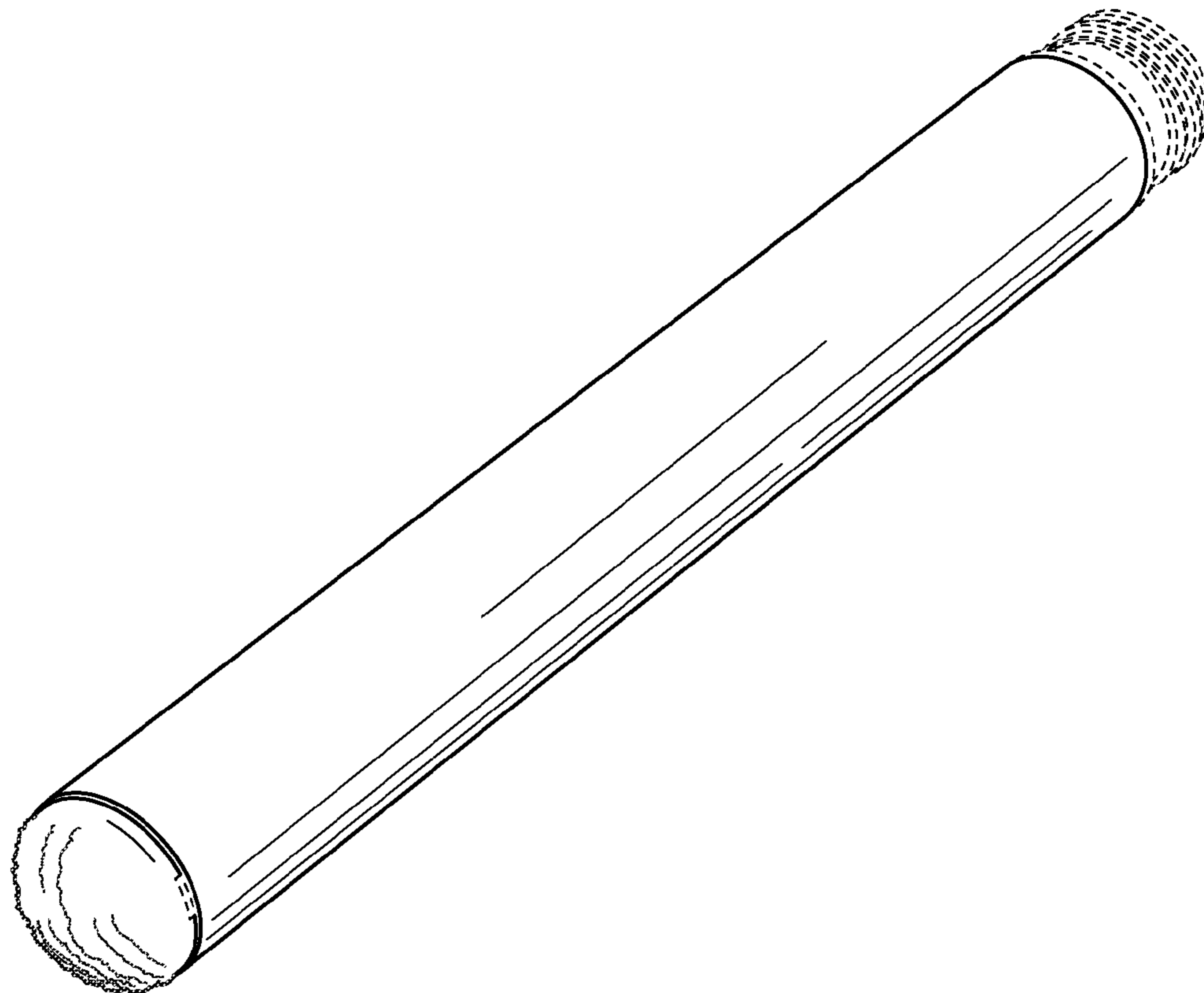
FIG. 4 is a top view. The bottom view is a mirror image of the top view.

FIG. 5 is a front view; and,

FIG. 6 is a back view.

The portions of the drawings shown in dashed broken lines form no part of the claimed design.

**1 Claim, 2 Drawing Sheets**



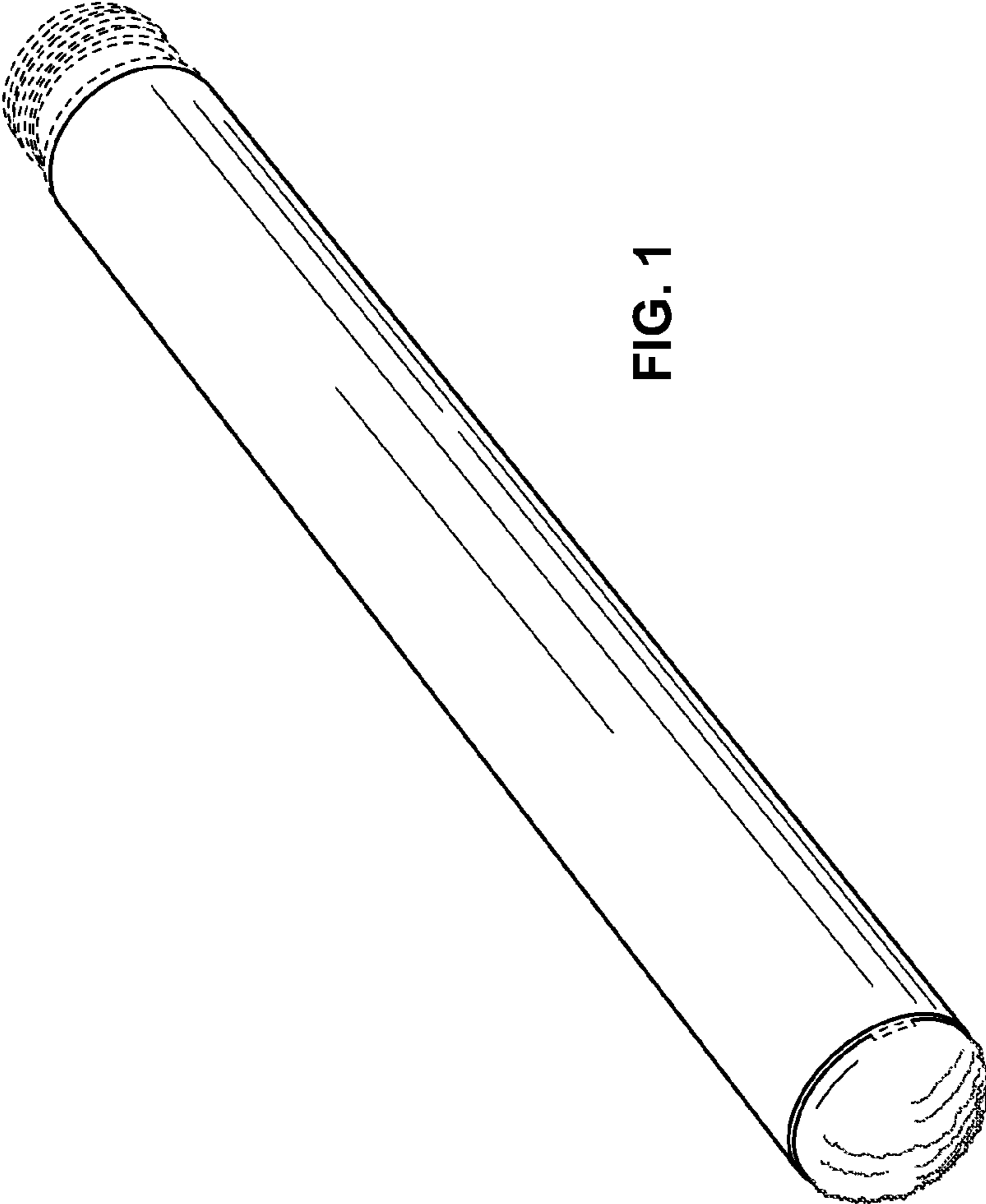


FIG. 1

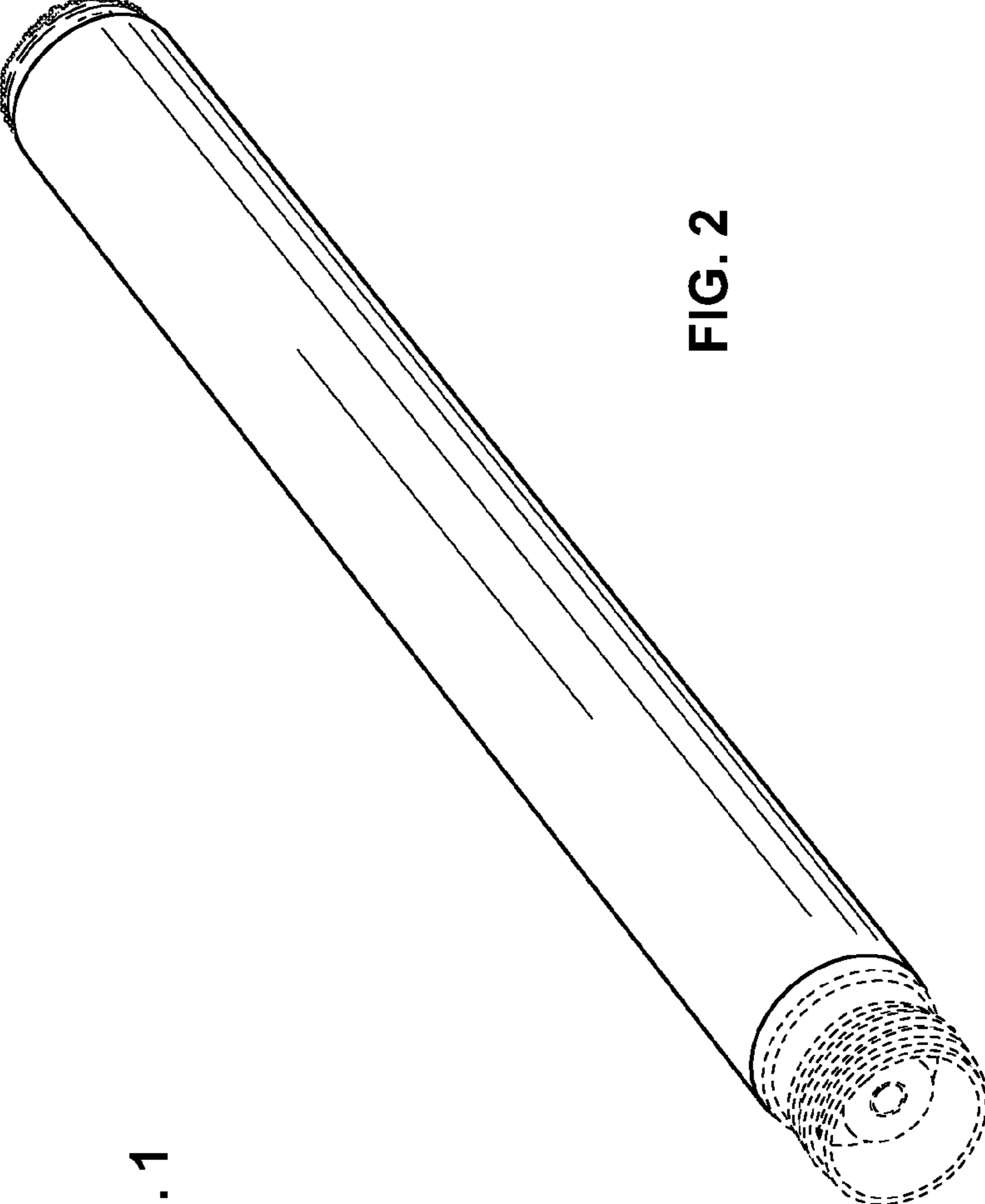


FIG. 2

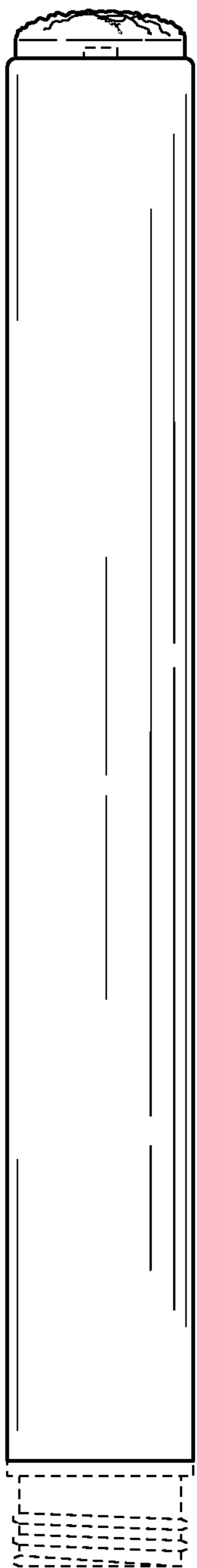


FIG. 3

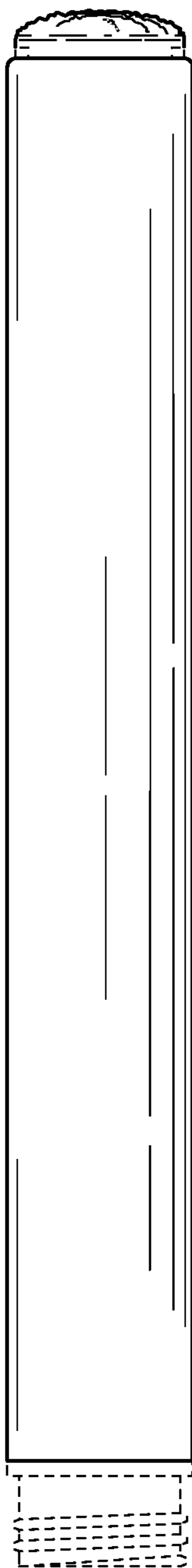


FIG. 4



FIG. 5

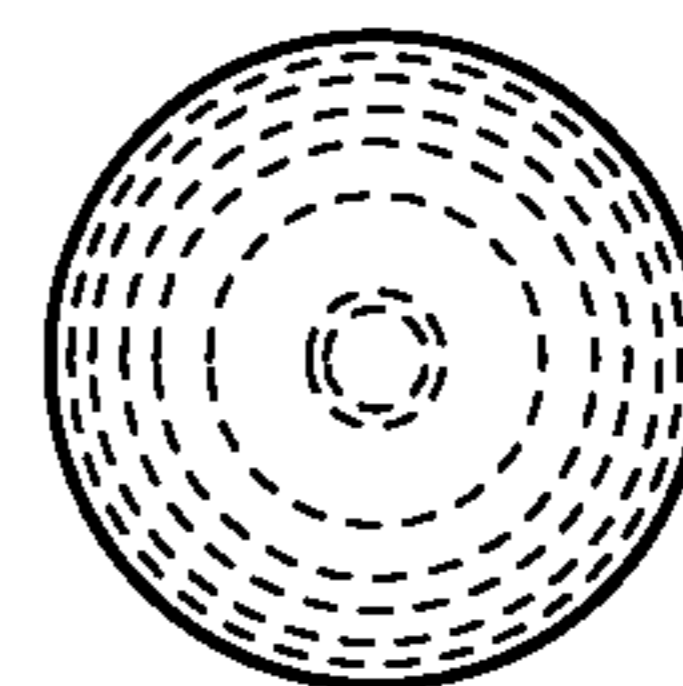


FIG. 6