



US00D590987S

(12) **United States Design Patent**  
**Dunn et al.**

(10) **Patent No.:** **US D590,987 S**

(45) **Date of Patent:** **\*\* Apr. 21, 2009**

(54) **TASK LIGHT**

(75) Inventors: **David Dunn**, Toronto (CA); **Kevin Kowalchuk**, Oakville (CA); **Bryan Drew Miller**, Richmond Hill (CA)

(73) Assignee: **Jameson, LLC**, Clover, SC (US)

(\*\*) Term: **14 Years**

(21) Appl. No.: **29/324,531**

(22) Filed: **Sep. 15, 2008**

**Related U.S. Application Data**

(62) Division of application No. 29/248,555, filed on Aug. 21, 2006, now Pat. No. Des. 579,605.

(51) **LOC (9) Cl.** ..... **26-99**

(52) **U.S. Cl.** ..... **D26/141**

(58) **Field of Classification Search** ..... D26/67,  
D26/2, 68, 87, 145, 155, 141, 138, 142, 92,  
D26/24, 72, 85, 86, 88, 93, 111, 113, 143,  
D26/144, 147, 149, 150, 152, 153; 362/612,  
362/145, 147, 151, 153, 153.1, 257, 296,  
362/311, 351, 370, 382, 410, 414, 431, 432  
See application file for complete search history.

(56) **References Cited**

**U.S. PATENT DOCUMENTS**

1,137,906 A \* 5/1915 Rosenberg ..... 248/342  
D75,012 S \* 5/1928 Johnson ..... D24/210  
D101,034 S \* 9/1936 Glatthar ..... D26/80

D128,480 S \* 7/1941 Elting ..... D26/144  
3,634,675 A \* 1/1972 Madsen et al. .... 362/303  
D418,241 S \* 12/1999 Thomas ..... D26/84  
6,959,996 B2 \* 11/2005 Ip ..... 362/102

\* cited by examiner

*Primary Examiner*—Cathron C Brooks

*Assistant Examiner*—Kevin K Rudzinski

(74) *Attorney, Agent, or Firm*—Adams Intellectual Property Law, P.A.

(57) **CLAIM**

The ornamental design for a task light, as shown and described.

**DESCRIPTION**

FIG. 1 is a bottom perspective view of the task light showing our new design;

FIG. 2 is a top perspective view thereof;

FIG. 3 is a rear elevation view thereof;

FIG. 4 is a front elevation view thereof;

FIG. 5 is a right side elevation view thereof;

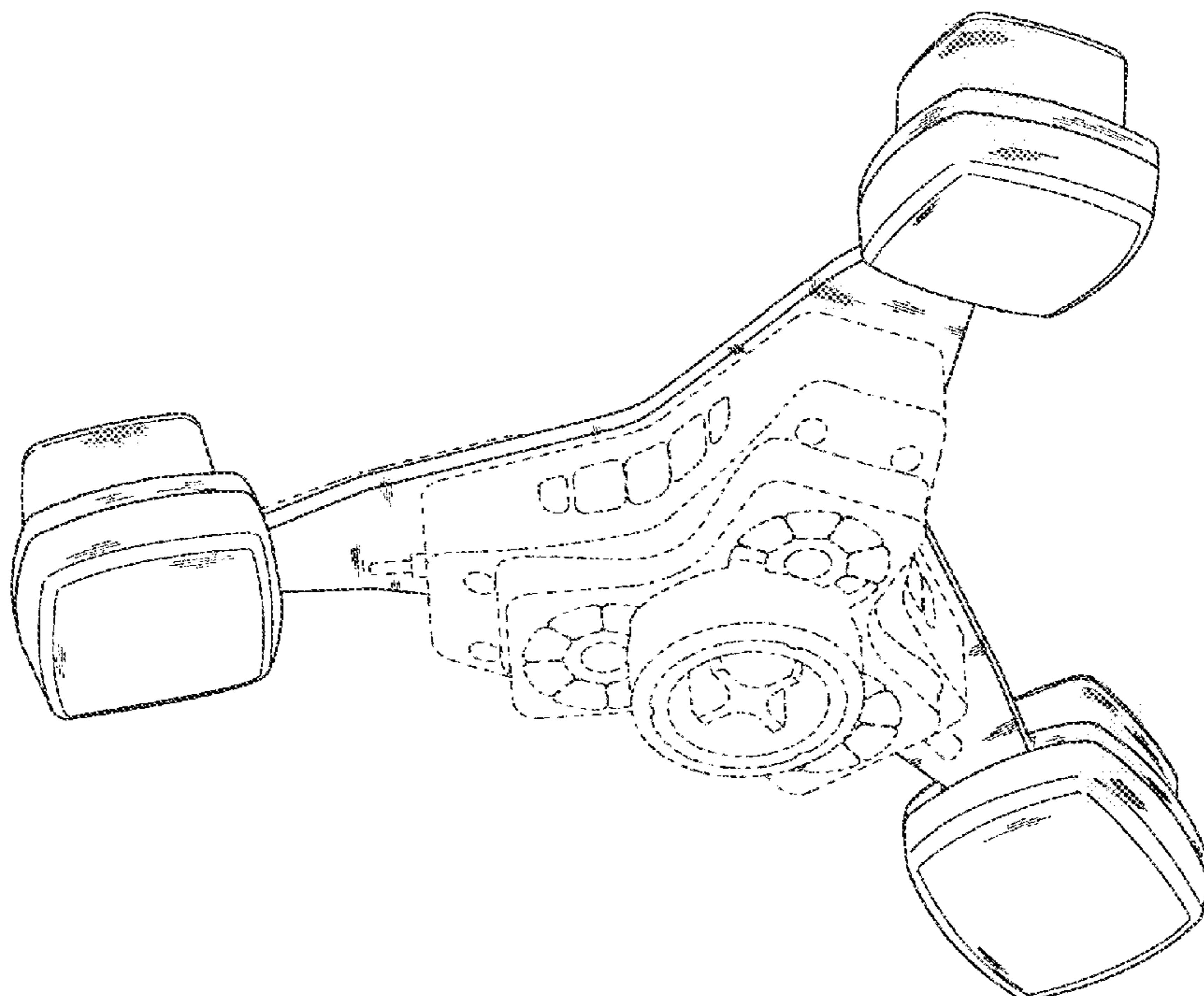
FIG. 6 is a left side elevation view thereof;

FIG. 7 is a top plan view thereof; and,

FIG. 8 is a bottom plan view thereof.

The broken lines shown in the drawings are included for the purpose of illustrating environmental structure and form no part of the claimed design.

**1 Claim, 8 Drawing Sheets**



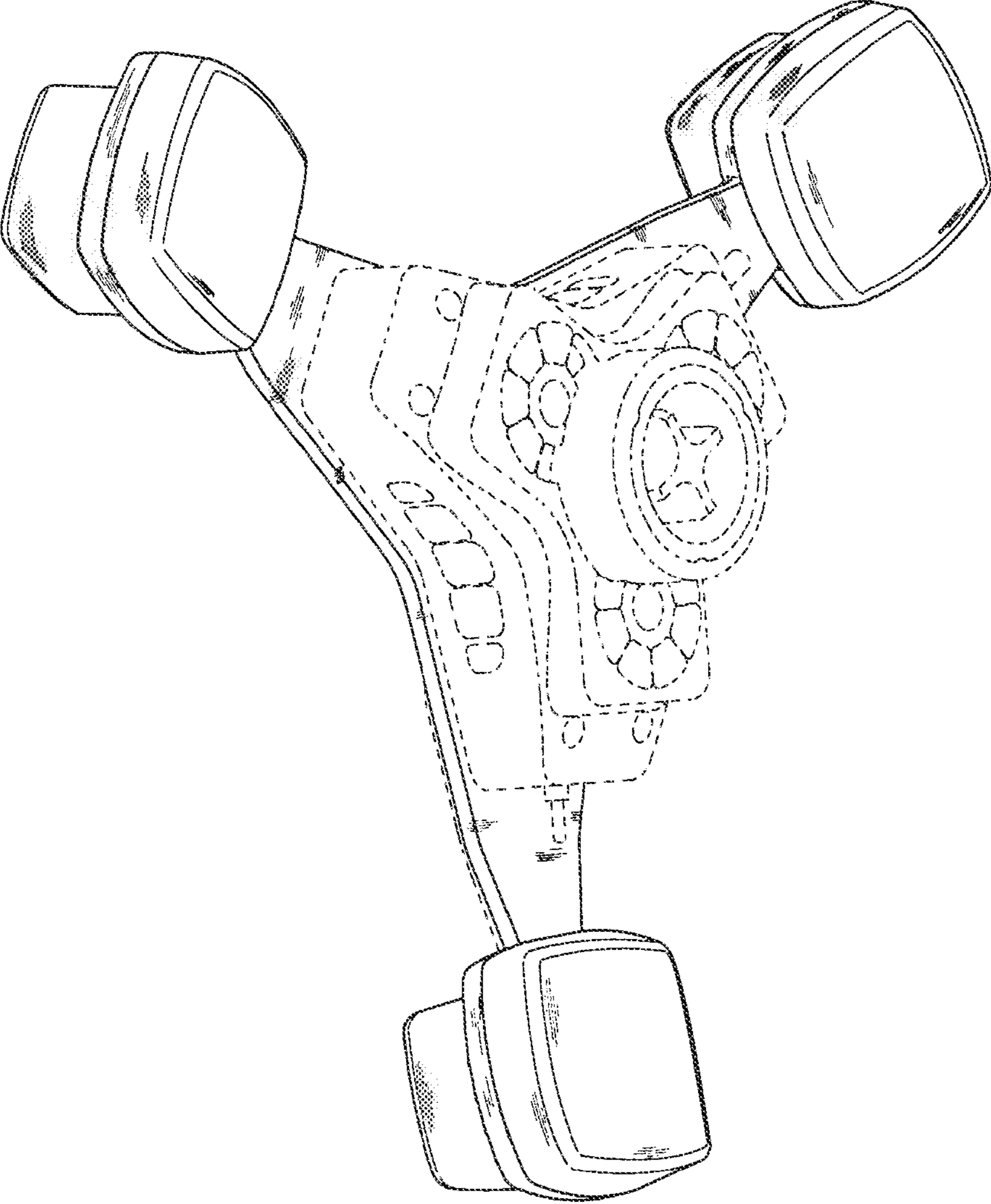


FIG. 1

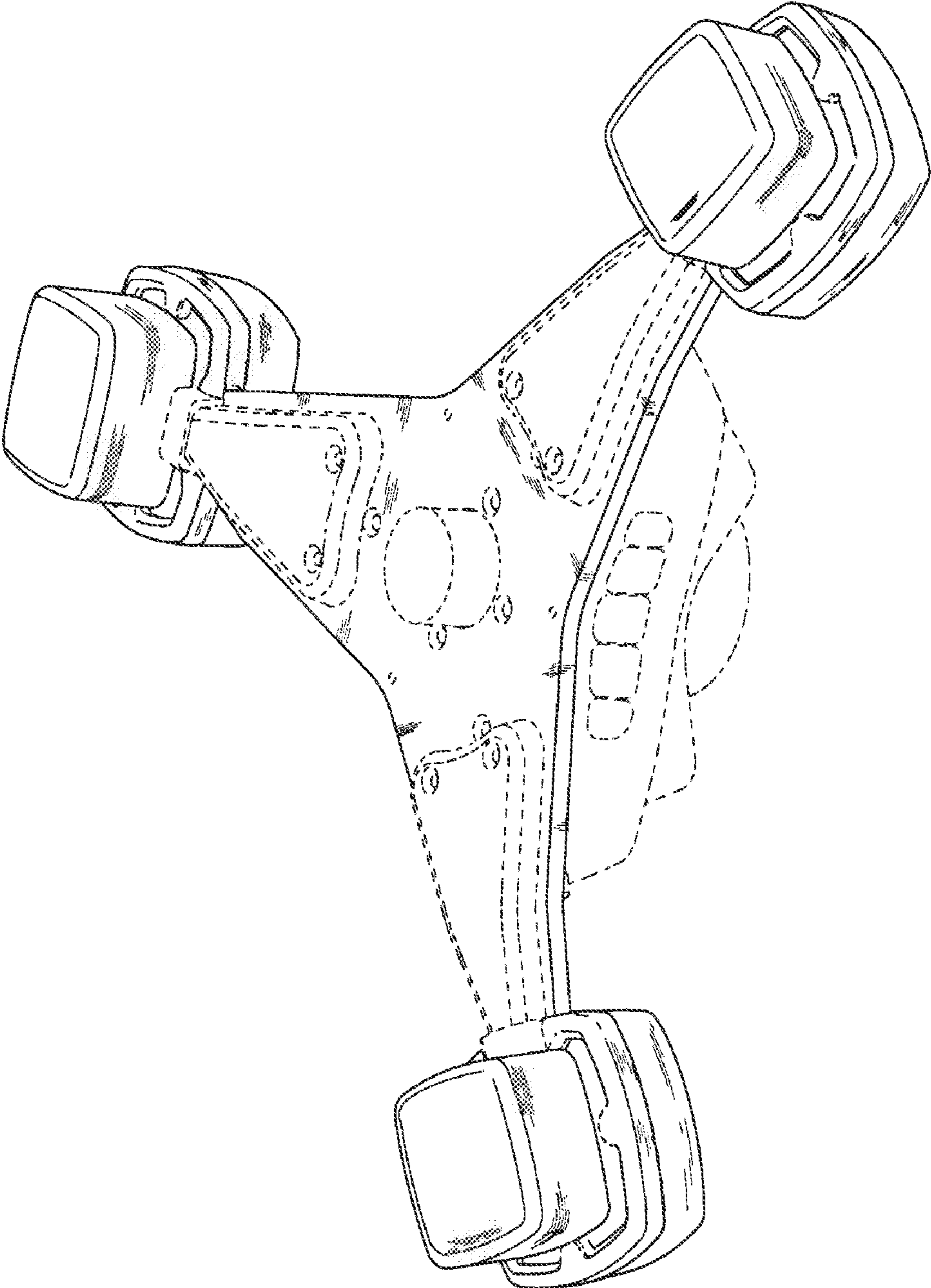


FIG. 2

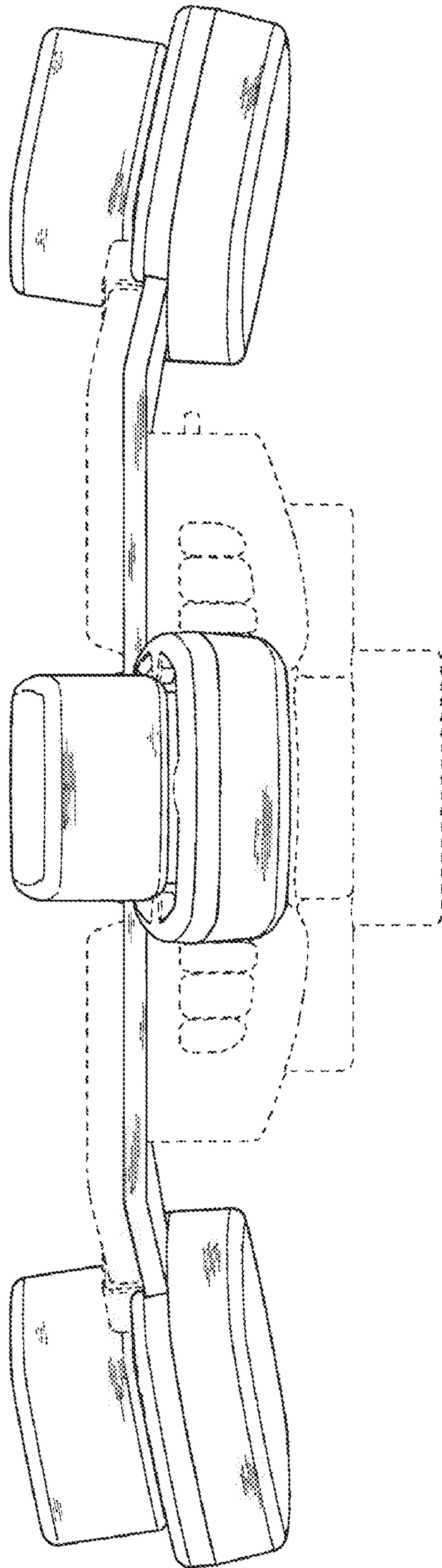


FIG. 3

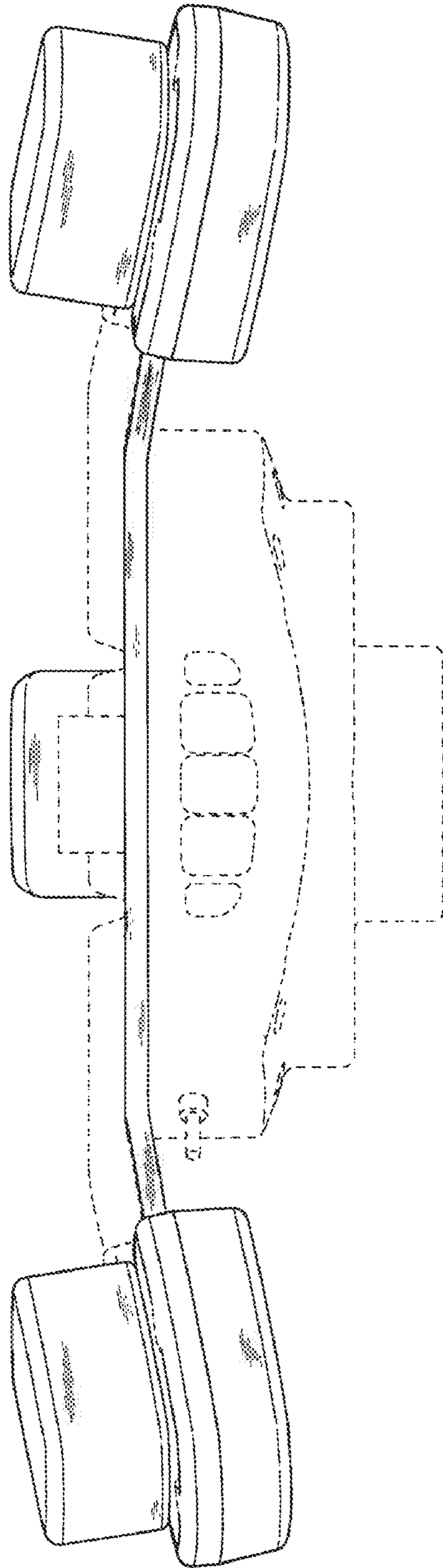


FIG. 4

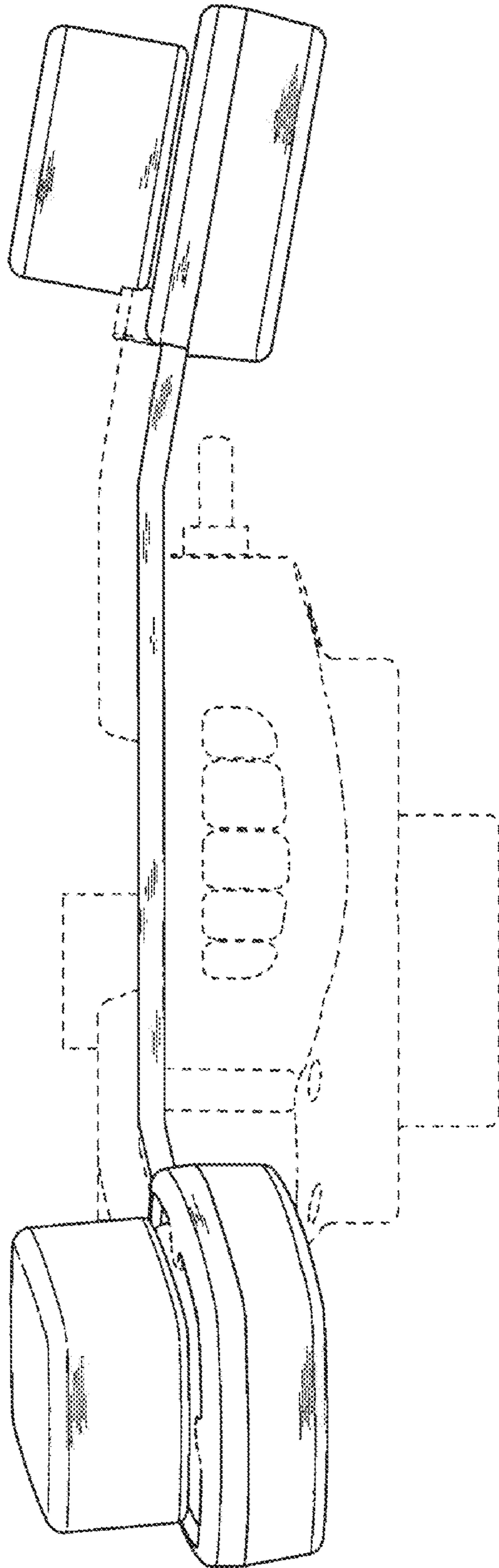


FIG. 5

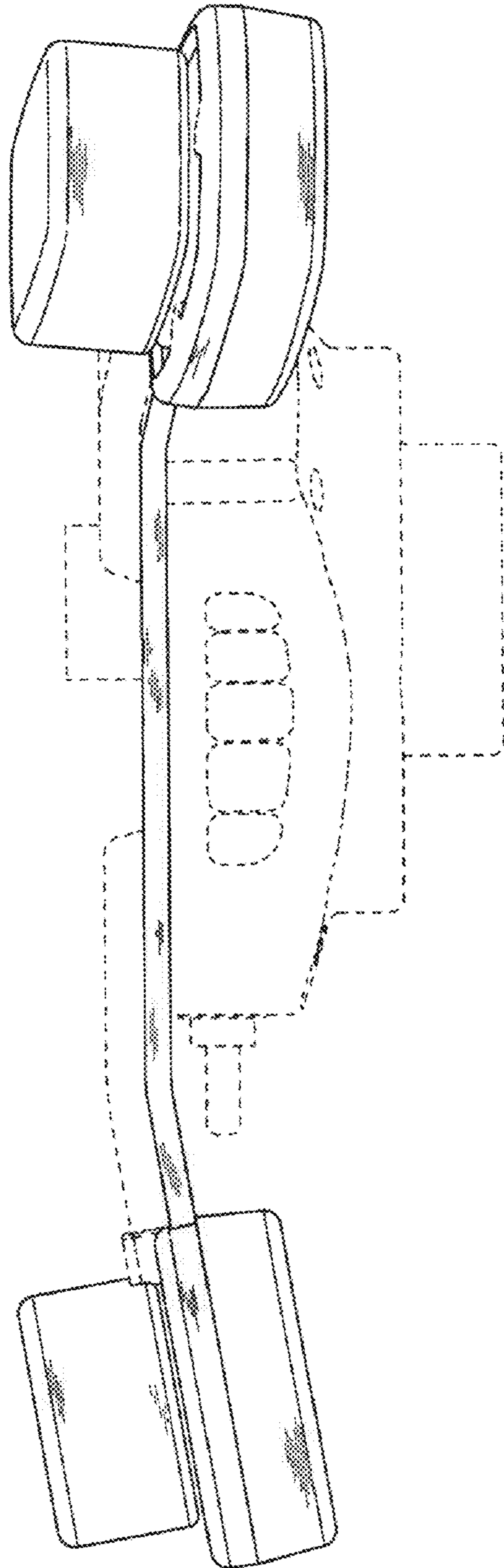


FIG. 6

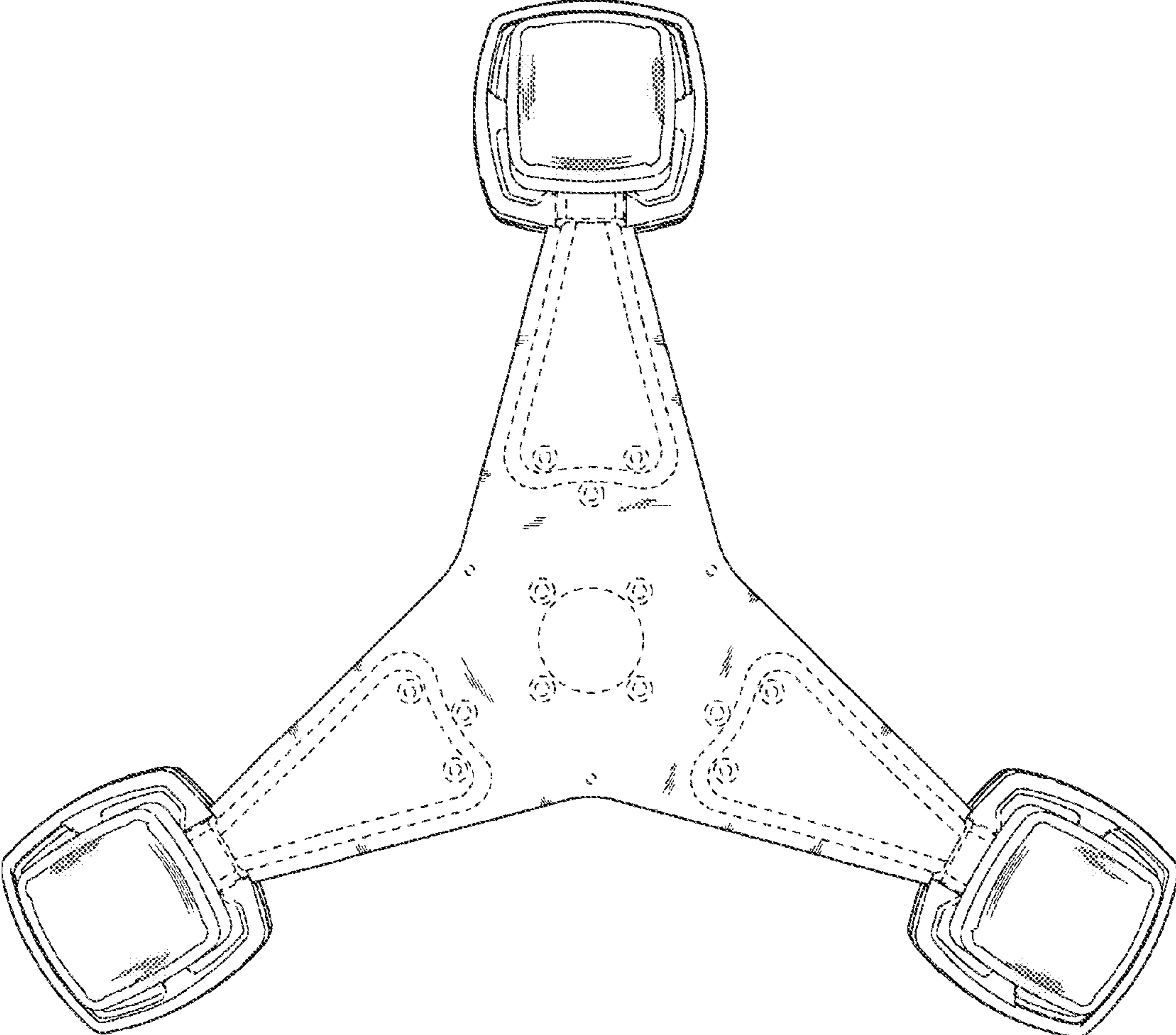


FIG. 7



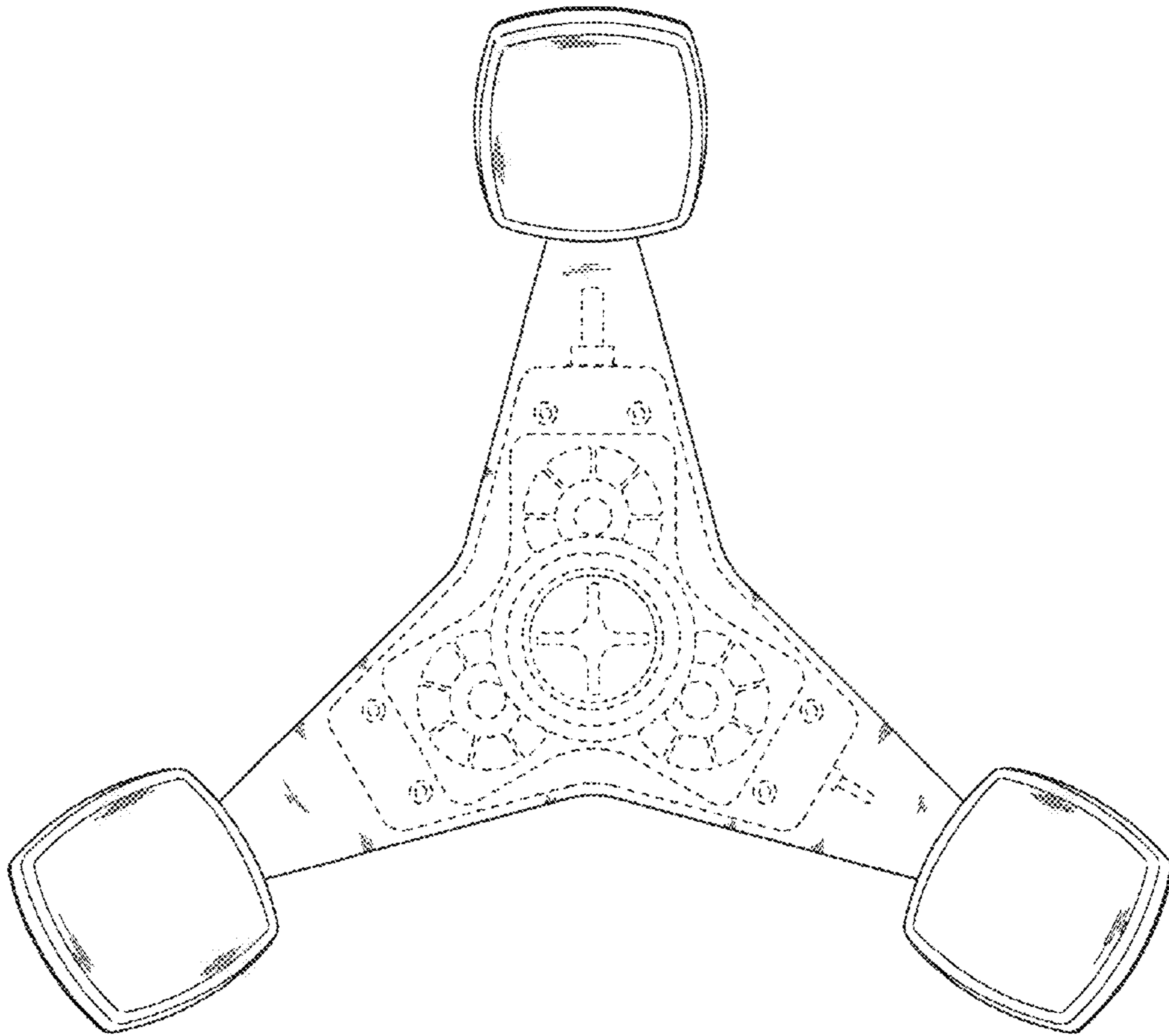


FIG. 8