



(12) **United States Design Patent**  
**Ranger et al.**

(10) **Patent No.:** **US D590,986 S**  
(45) **Date of Patent:** **\*\* Apr. 21, 2009**

(54) **REFLECTOR FOR LAMPS**

(75) Inventors: **Grant Ranger**, Ultenhage (ZA); **Robert Gush**, Port Elizabeth (ZA)

(73) Assignee: **Vizirama 12 (Proprietary) Limited**,  
Ultenhage, Eastern Cape Province

(\*\*) Term: **14 Years**

(21) Appl. No.: **29/285,697**

(22) Filed: **Apr. 5, 2007**

(30) **Foreign Application Priority Data**

Oct. 6, 2006 (ZA) ..... A2006/01496

(51) **LOC (9) Cl.** ..... **26-99**

(52) **U.S. Cl.** ..... **D26/122**

(58) **Field of Classification Search** ..... D26/123,  
D26/28, 122, 120, 118, 147, 142, 113, 24,  
D26/25, 72, 74, 75, 76, 77, 85, 86, 119, 121,  
D26/124, 128, 129, 132, 133, 134, 135, 136,  
D26/138, 139, 152, 155; 362/612, 623, 566,  
362/565, 507, 517, 147, 219, 247, 252, 297,  
362/346, 364, 410, 433, 441, 455, 457, 800,  
362/807

See application file for complete search history.

(56) **References Cited**

**U.S. PATENT DOCUMENTS**

D221,106 S \* 7/1971 Tixier ..... D26/28  
4,531,180 A \* 7/1985 Hernandez ..... 362/297

D283,555 S \* 4/1986 Levi ..... D26/85  
5,690,422 A \* 11/1997 Brass ..... 362/297  
D398,414 S \* 9/1998 Pagliarini ..... D26/85  
D470,970 S \* 2/2003 Huang ..... D26/123  
D474,559 S \* 5/2003 Huang ..... D26/123  
6,953,264 B2 \* 10/2005 Ter-Hovhannisian ..... 362/241  
D517,706 S \* 3/2006 Itaya et al. .... D26/28

\* cited by examiner

*Primary Examiner*—Cathron C Brooks

*Assistant Examiner*—Kevin K Rudzinski

(74) *Attorney, Agent, or Firm*—Townsend and Townsend and Crew LLP

(57) **CLAIM**

The ornamental design for reflector for lamps, as shown and described.

**DESCRIPTION**

FIG. 1 is a front perspective view of our reflector for lamps design;

FIG. 2 is a top plan view thereof;

FIG. 3 is a side view thereof, the opposite side being a mirror image;

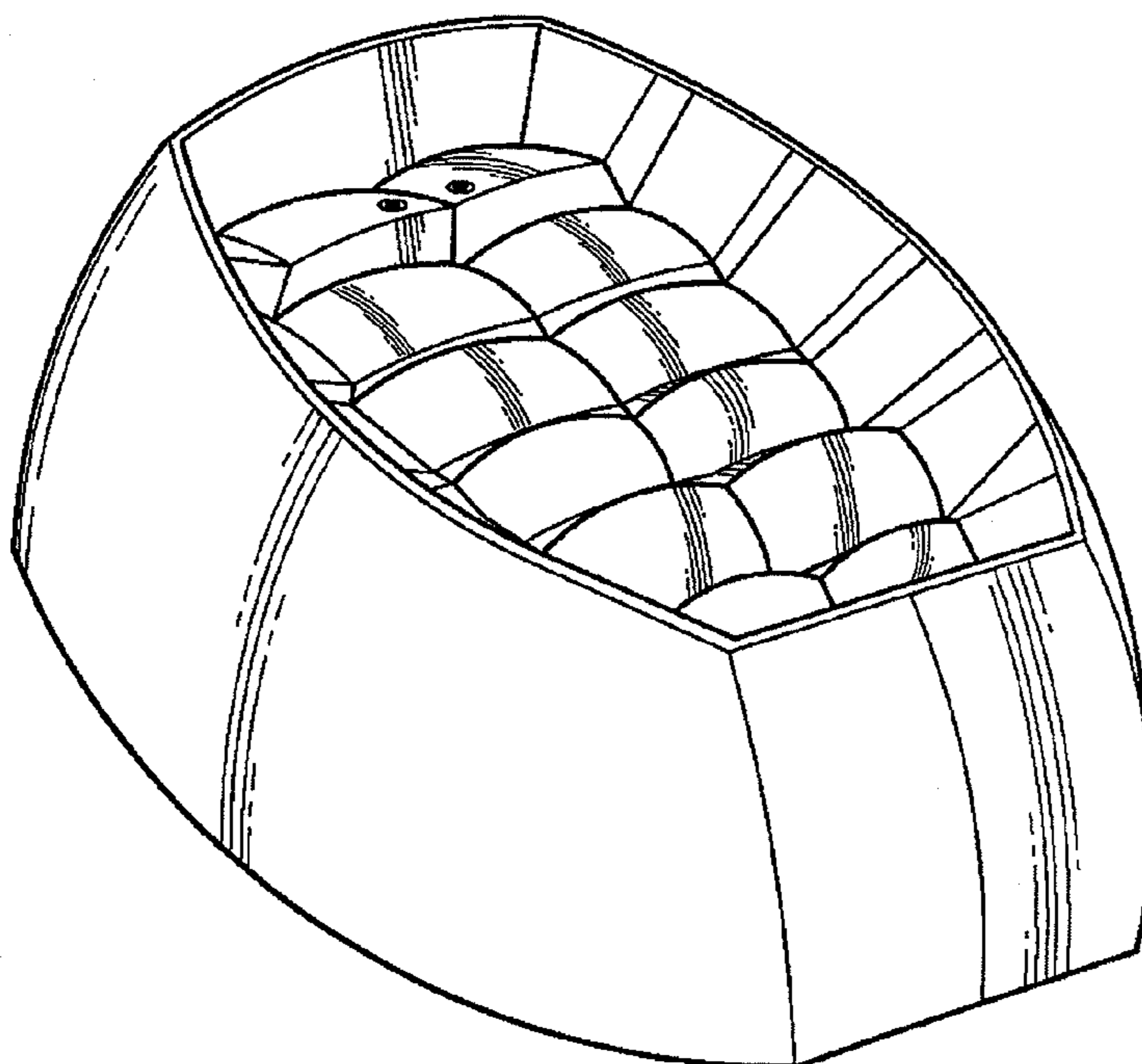
FIG. 4 is a front elevational view thereof;

FIG. 5 is a rear elevational view thereof;

FIG. 6 is a cross-section view thereof taken along line 6—6 of FIG. 2; and,

FIG. 7 is a cross-section view thereof taken along line 7—7 of FIG. 2.

**1 Claim, 4 Drawing Sheets**



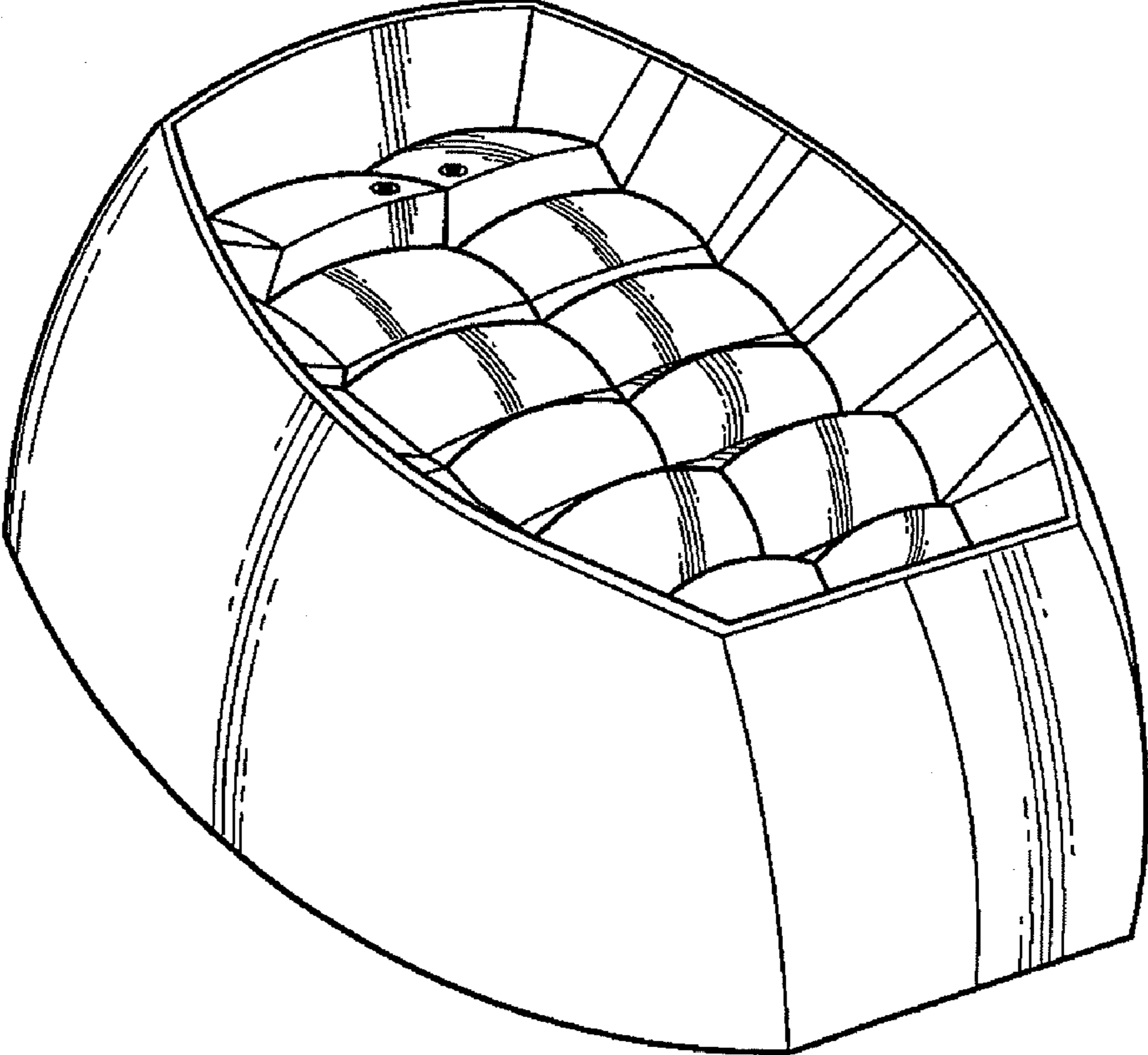


FIG 1

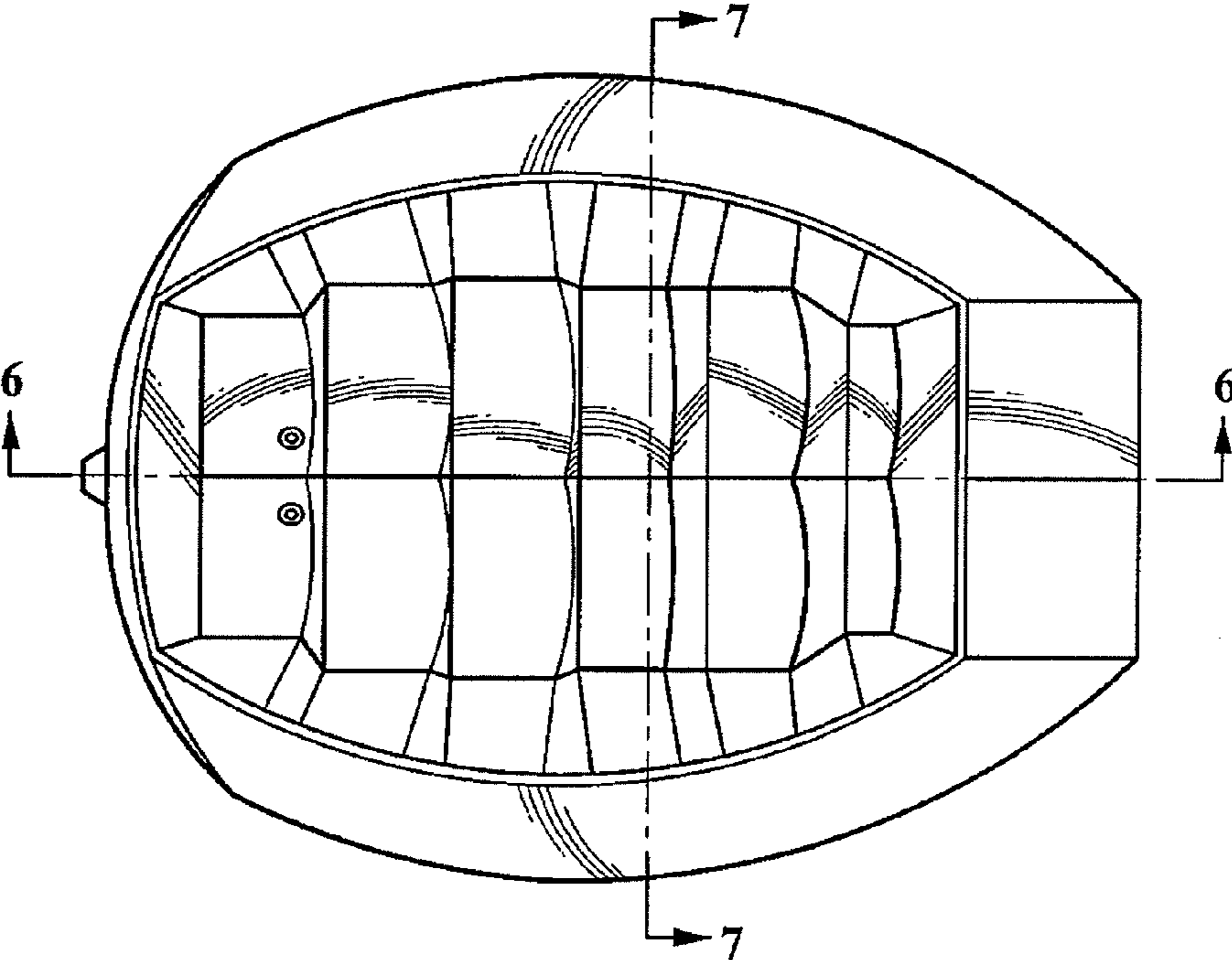


FIG 2

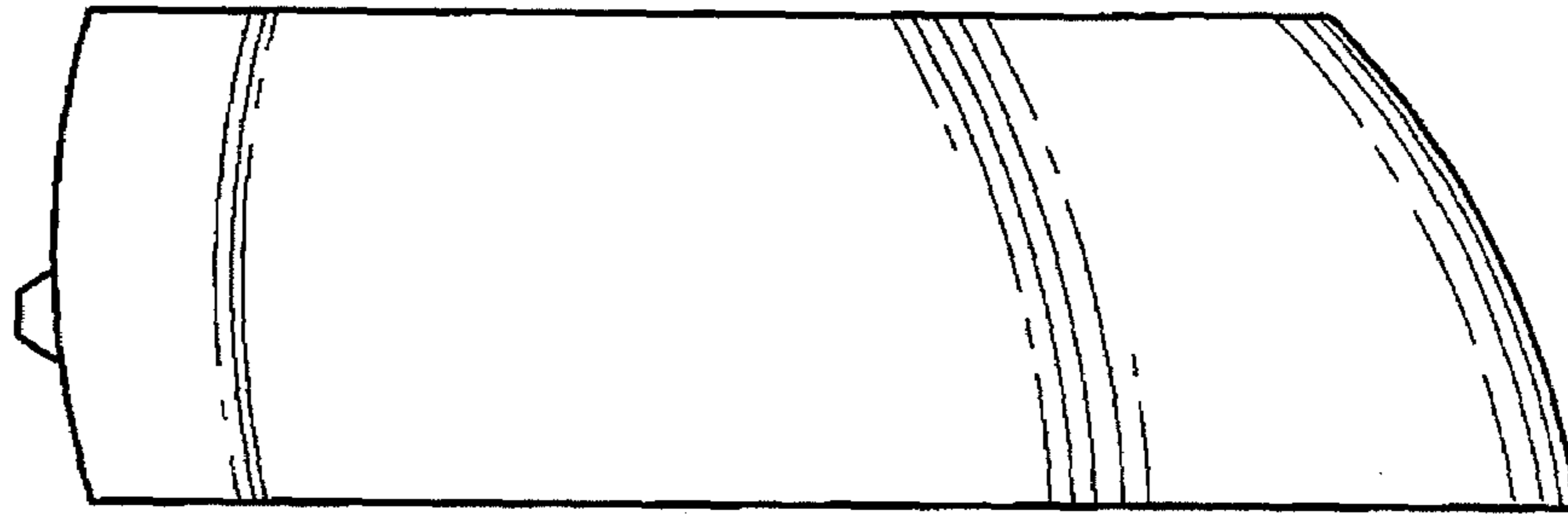


FIG 3

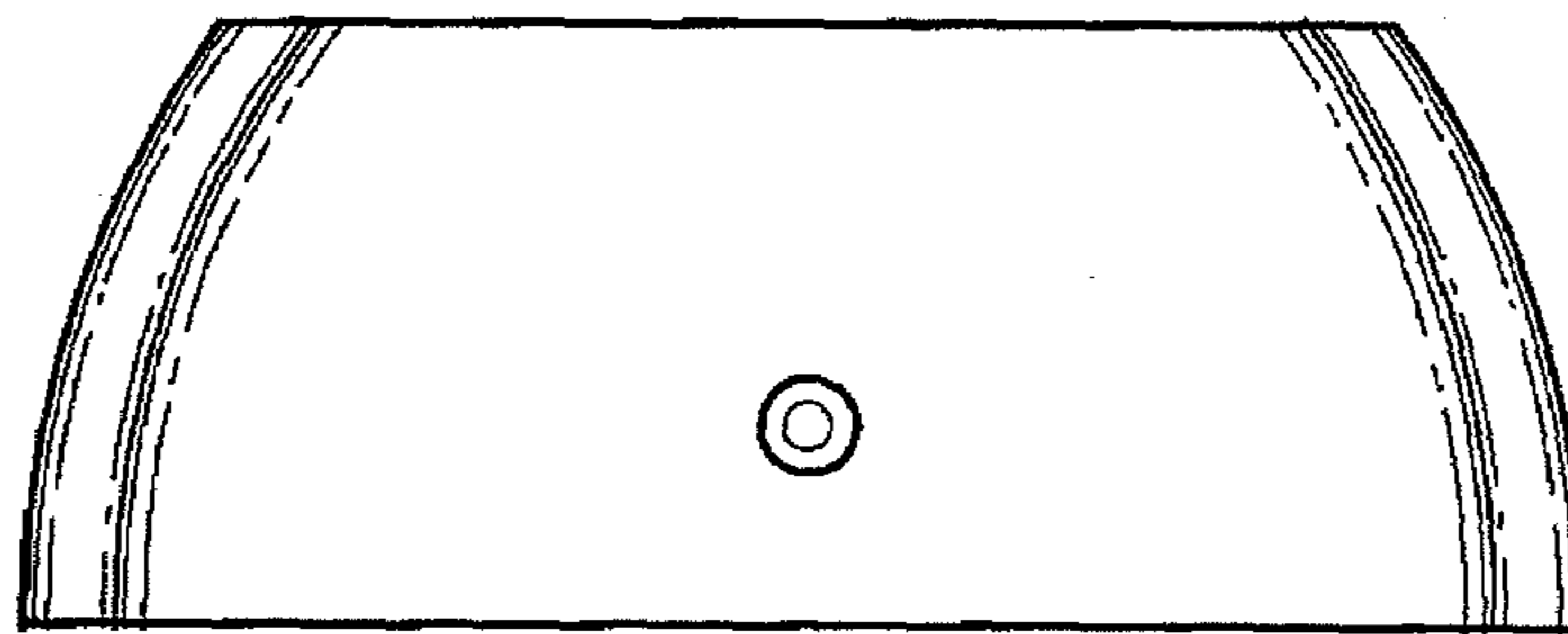


FIG 4

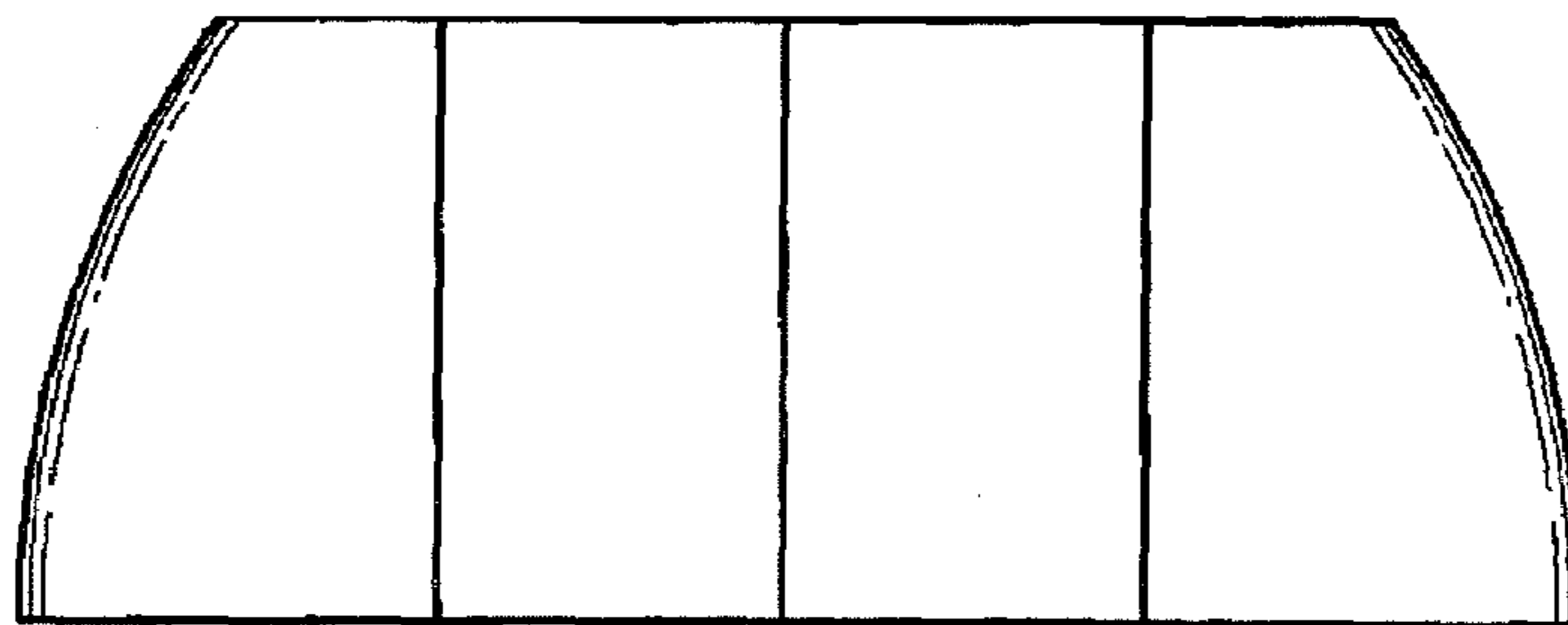
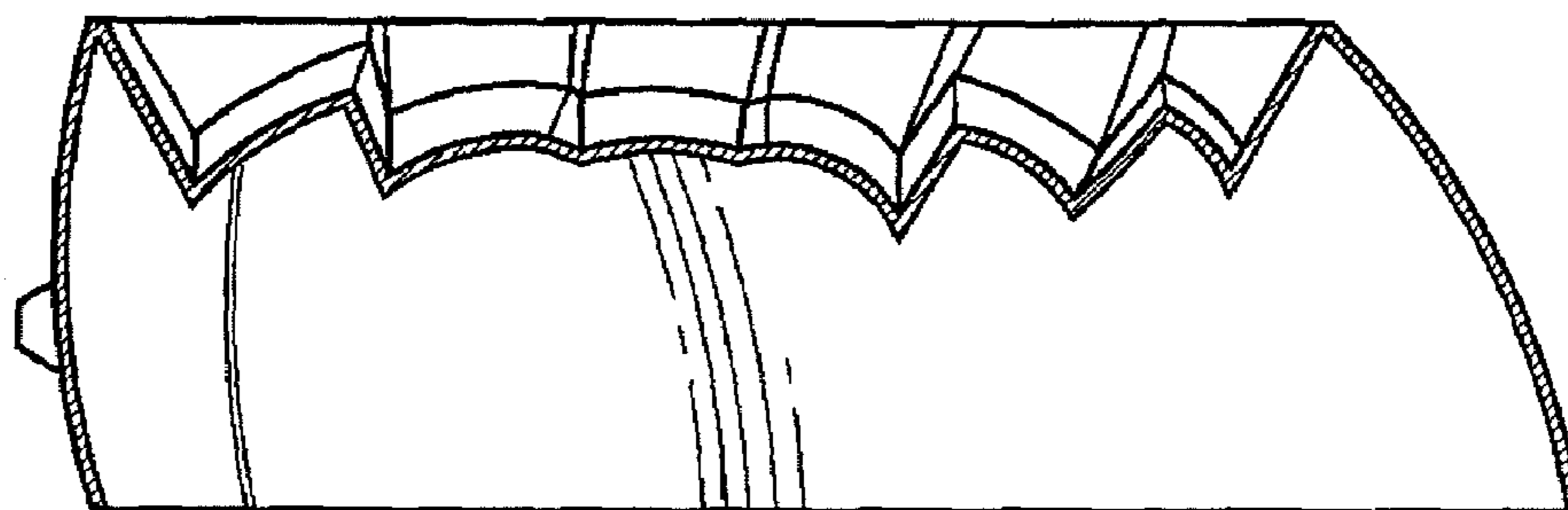
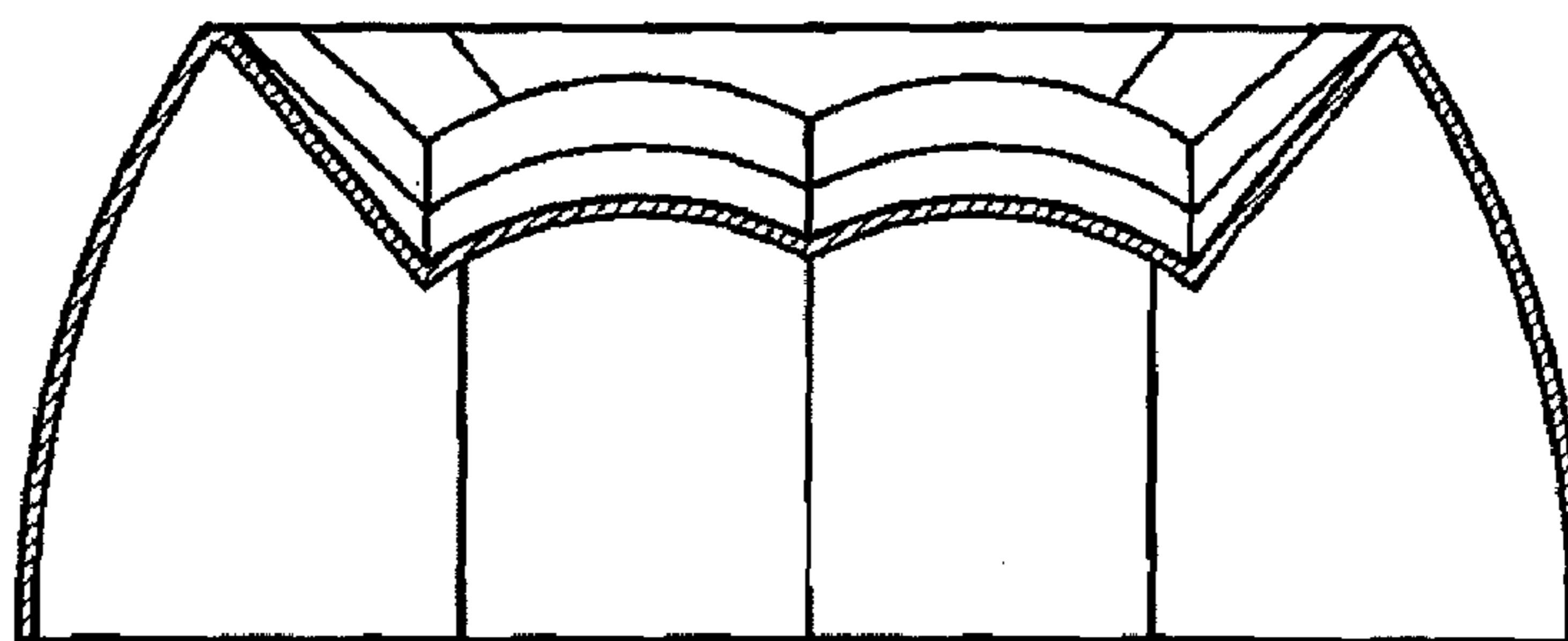


FIG 5



**FIG 6**



**FIG 7**