

US00D590985S

(12) **United States Design Patent**
Salatto-Rose

(10) **Patent No.:** **US D590,985 S**
(45) **Date of Patent:** **** Apr. 21, 2009**

(54) **LIGHTING FIXTURE**

DESCRIPTION

- (75) Inventor: **Darlene Salatto-Rose**, Hickory, NC (US)
- (73) Assignee: **Robert Abbey Inc.**, Hickory, NC (US)
- (**) Term: **14 Years**
- (21) Appl. No.: **29/283,736**
- (22) Filed: **Aug. 22, 2007**
- (51) **LOC (9) Cl.** **26-99**
- (52) **U.S. Cl.** **D26/120**
- (58) **Field of Classification Search** D26/118,
D26/120, 138, 122, 119, 88, 87, 85, 68, 63,
D26/155, 25, 60, 61, 72, 113, 128, 140; D13/180;
52/144, 145, 220.6, 473; 362/290, 330, 267,
362/612, 555, 512, 520, 147, 182, 352, 376,
362/407, 800
See application file for complete search history.

(56) **References Cited**

U.S. PATENT DOCUMENTS

- D45,398 S * 3/1914 Munier D5/37
- D71,235 S * 10/1926 Wolter D26/88
- D170,535 S * 10/1953 Johnson D5/62
- 3,521,048 A * 7/1970 Fowler 362/330
- D306,658 S * 3/1990 Haskell D5/32
- D328,799 S * 8/1992 Leonard D26/104
- D430,694 S * 9/2000 Chiang D26/110
- D500,570 S * 1/2005 Tsai D26/87

* cited by examiner

Primary Examiner—Cathron C Brooks
Assistant Examiner—Kevin K Rudzinski
(74) *Attorney, Agent, or Firm*—Alston & Bird LLP

(57) **CLAIM**

The ornamental design for a lighting fixture, substantially as shown and described.

FIG. 1 is a perspective front view of a lighting fixture showing my new design;

FIG. 2 is a front elevation view thereof, the rear being a mirror image;

FIG. 3 is a right side view thereof, the left side side being a mirror image;

FIG. 4 is a top plan view thereof;

FIG. 5 is a perspective front view of another embodiment of a lighting fixture showing my new design;

FIG. 6 is a front elevational view thereof, the rear being a mirror image;

FIG. 7 is a right side view thereof, the left side being a mirror image;

FIG. 8 is a top plan view thereof;

FIG. 9 is a perspective front view of another embodiment of a lighting fixture showing my new design;

FIG. 10 is a front elevational view thereof, the rear being a mirror image;

FIG. 11 is a right side view thereof, the left side being a mirror image;

FIG. 12 is a top plan view thereof;

FIG. 13 is a perspective front view of another embodiment of a lighting fixture showing my new design;

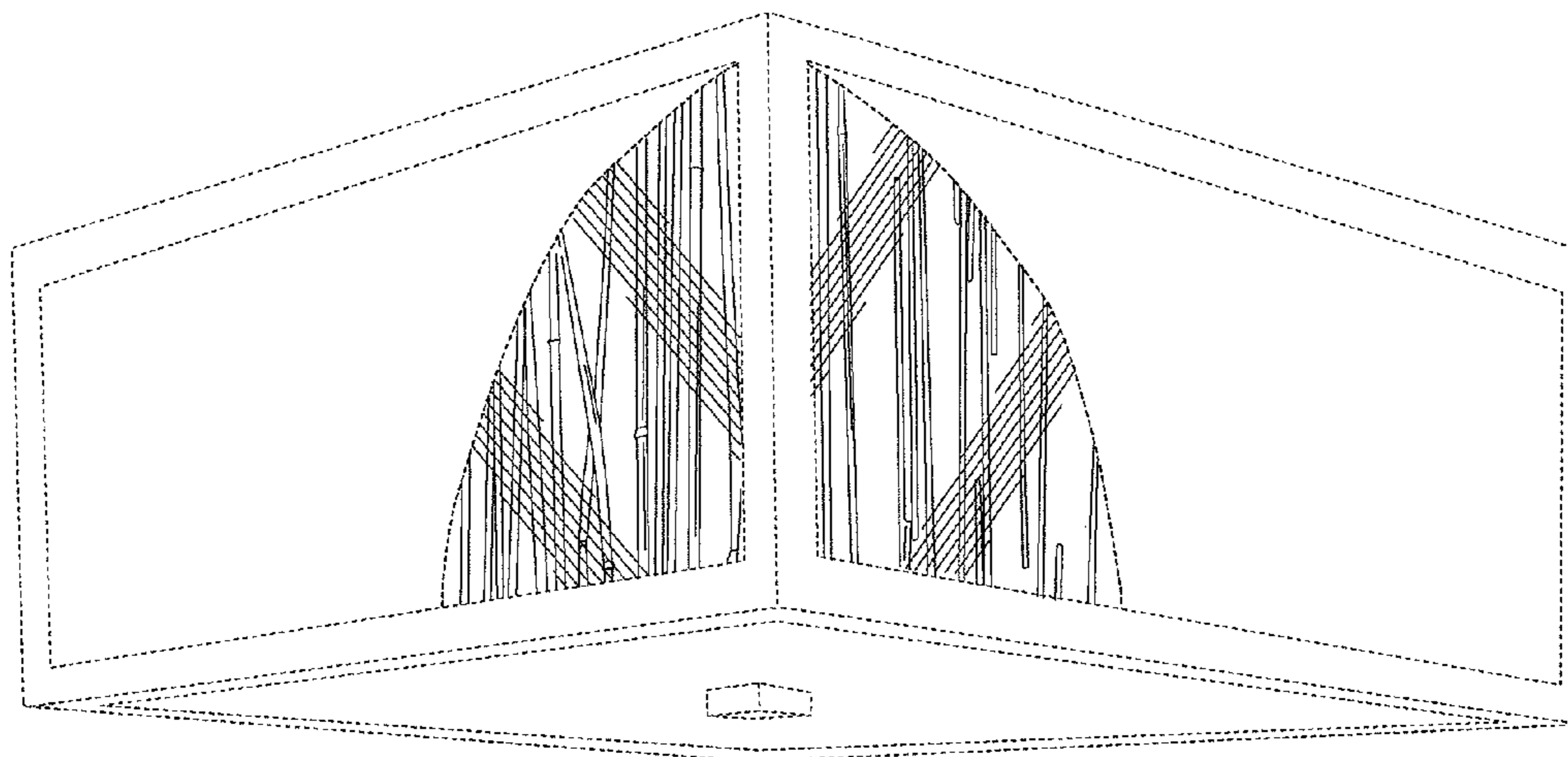
FIG. 14 is a front elevational view thereof, the rear being a mirror image;

FIG. 15 is a right side view thereof, the left side being a mirror image; and,

FIG. 16 is a top plan view thereof.

The broken line showing of environmental structure is for illustrative purposes and does not form a part of the claimed design.

1 Claim, 16 Drawing Sheets



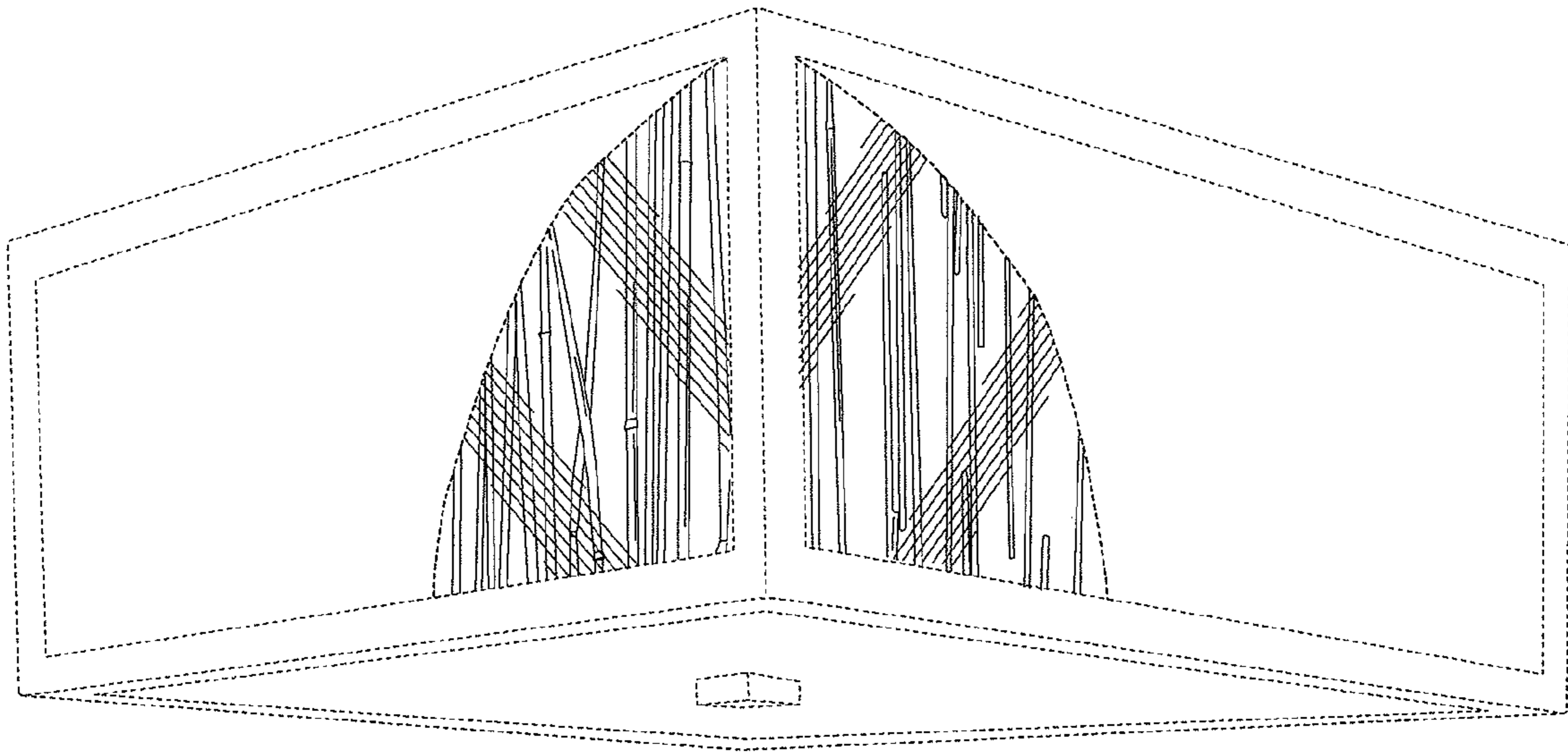


FIG. 1

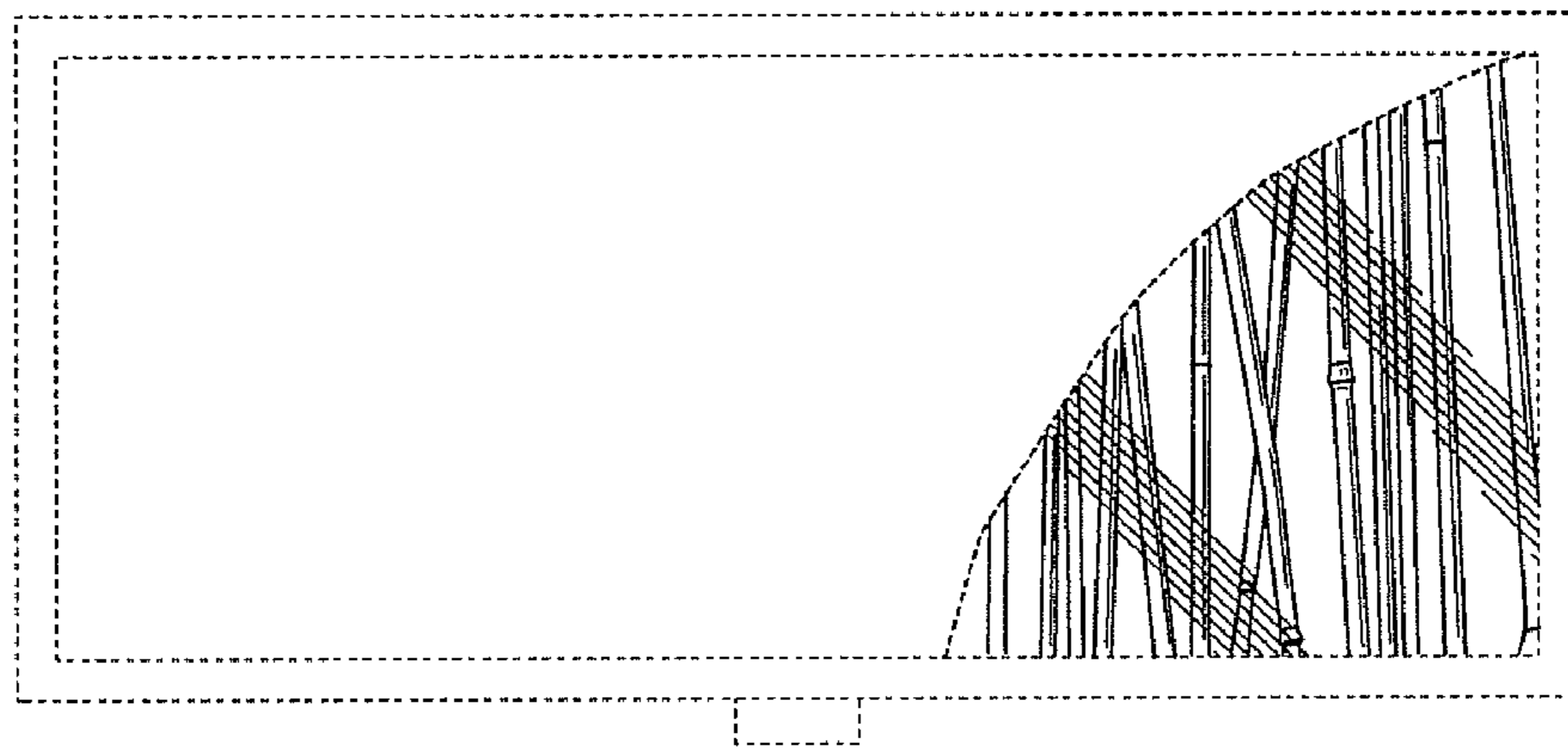


FIG. 2

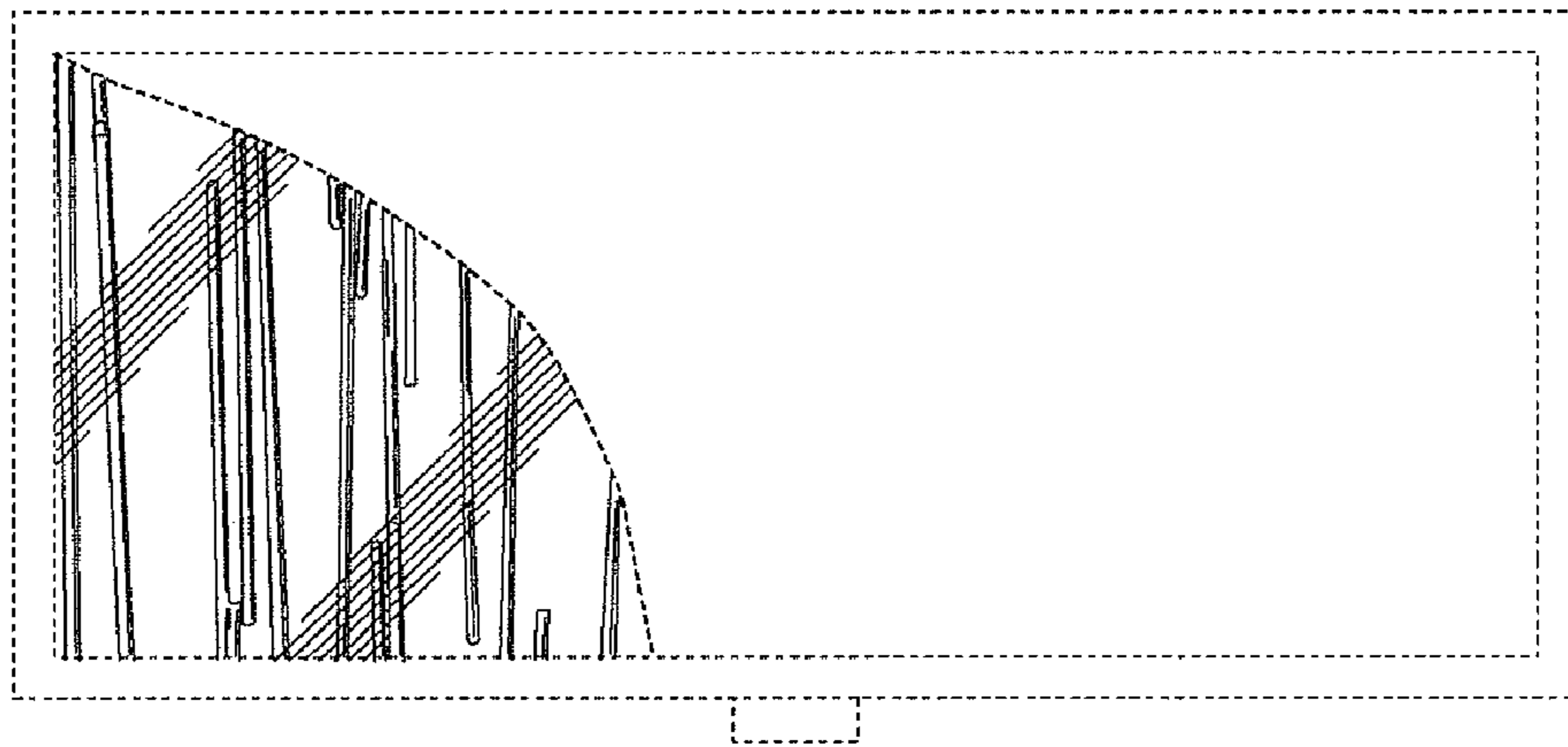


FIG. 3

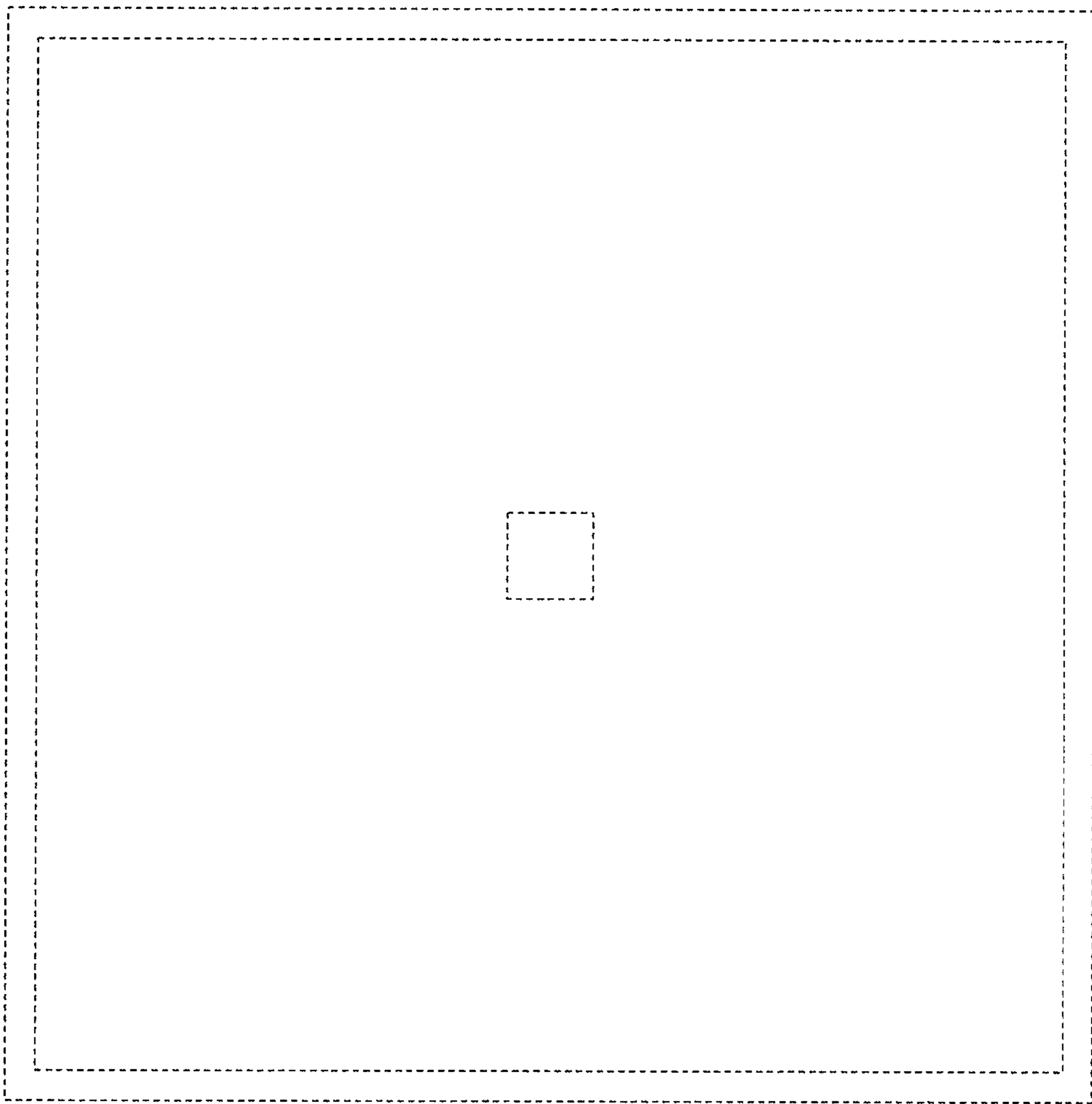


FIG. 4

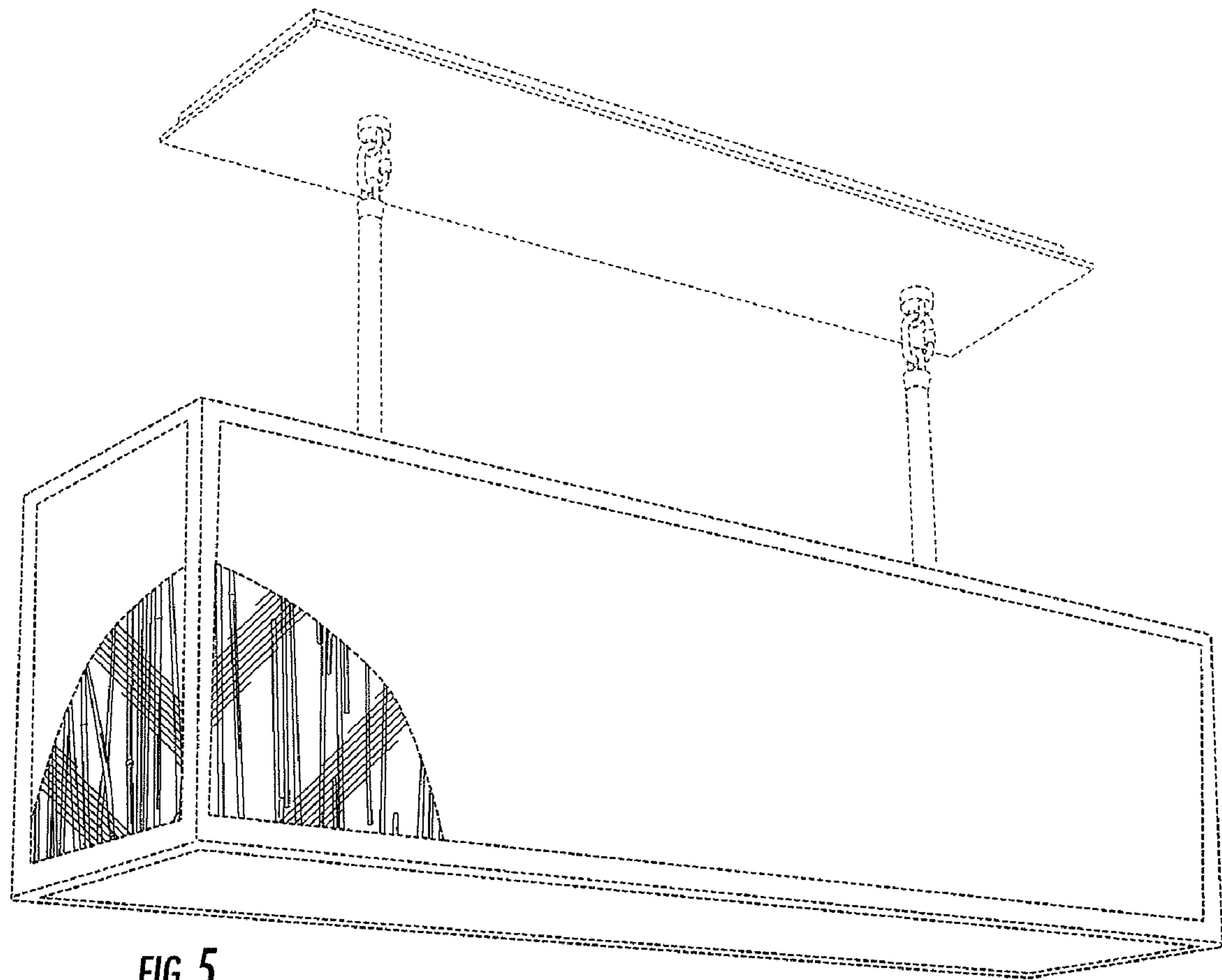


FIG. 5

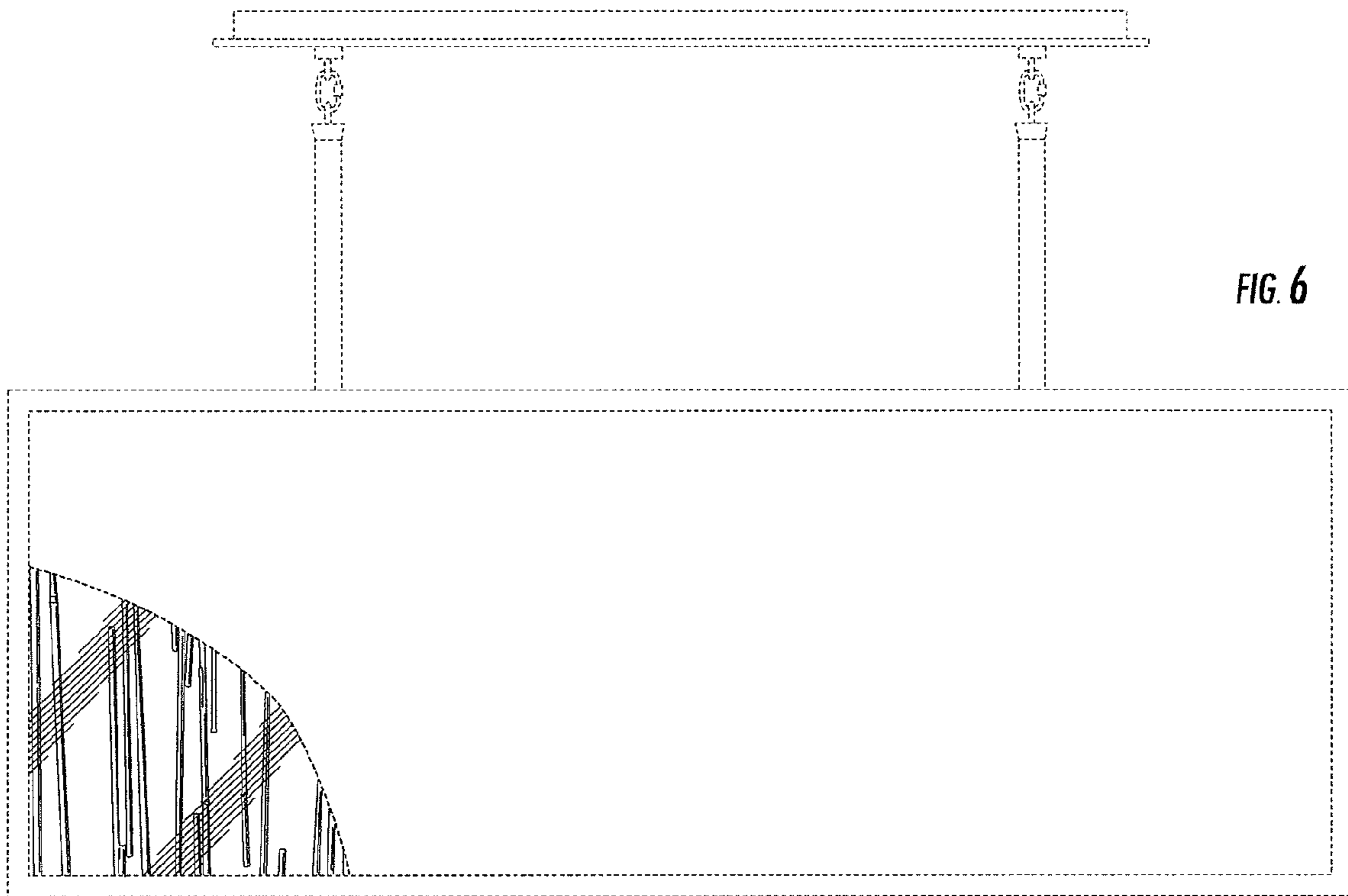


FIG. 6

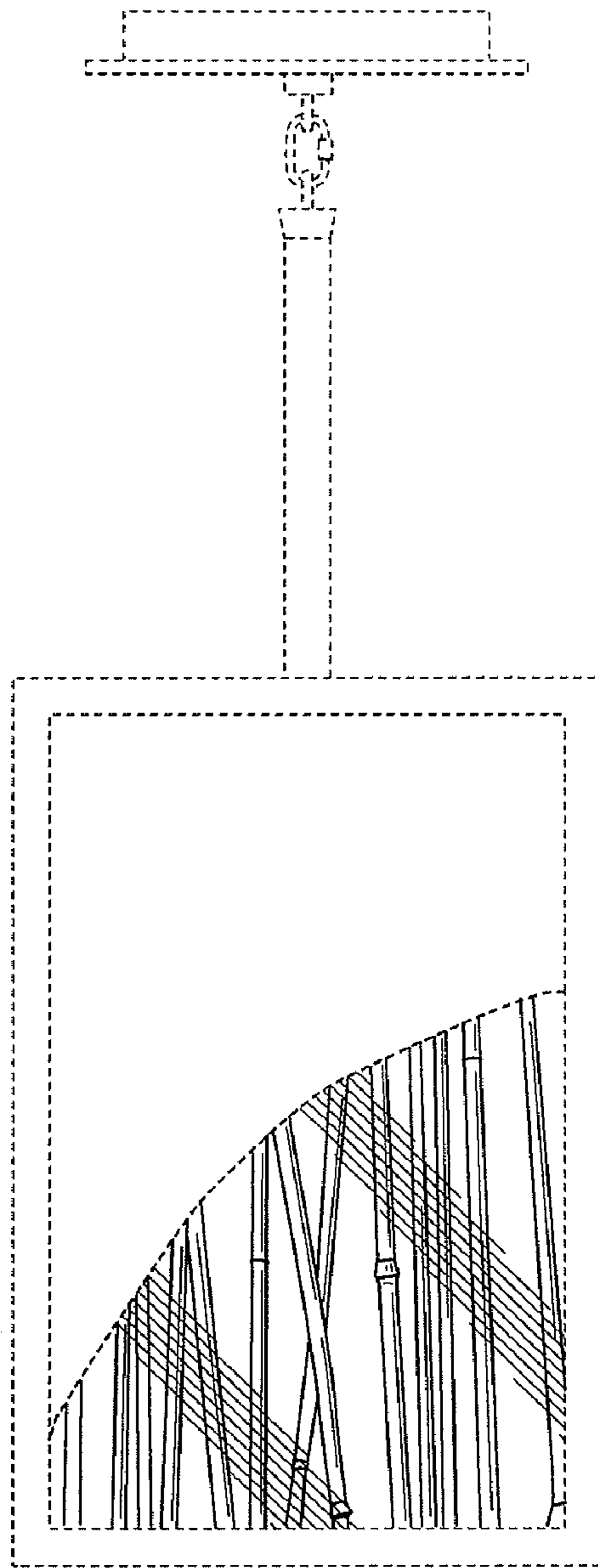


FIG. 7

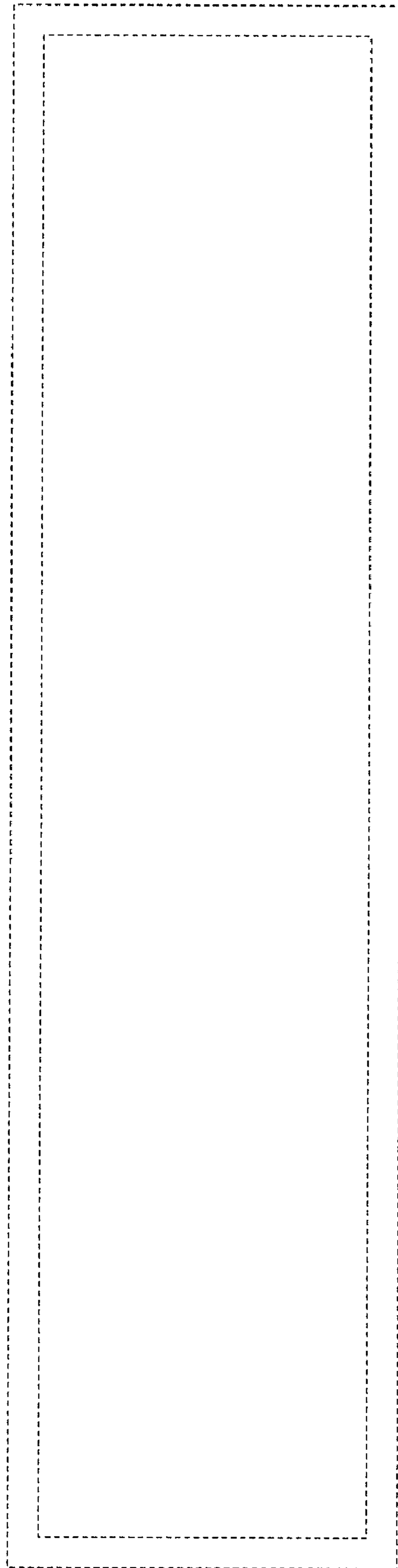


FIG. 8

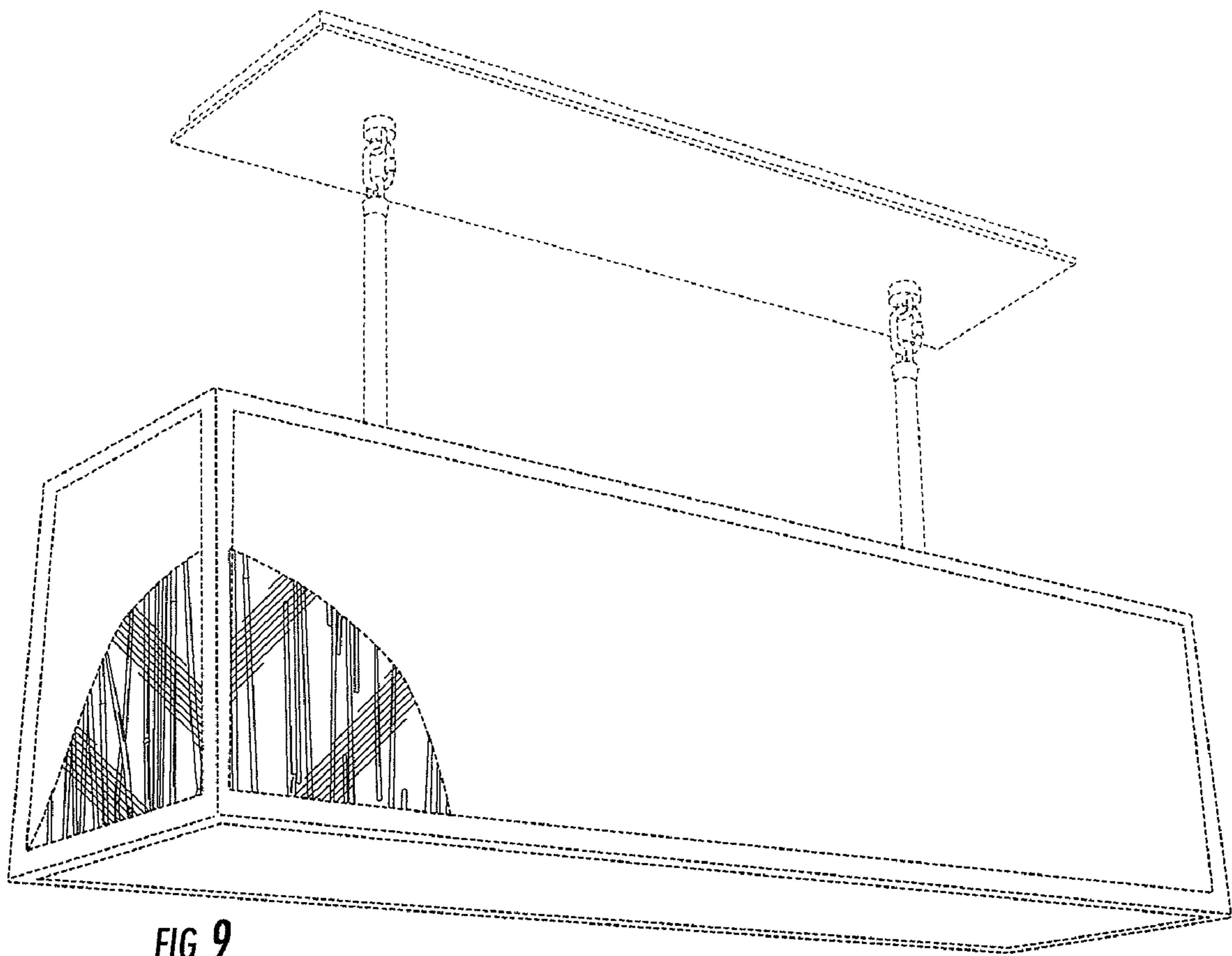
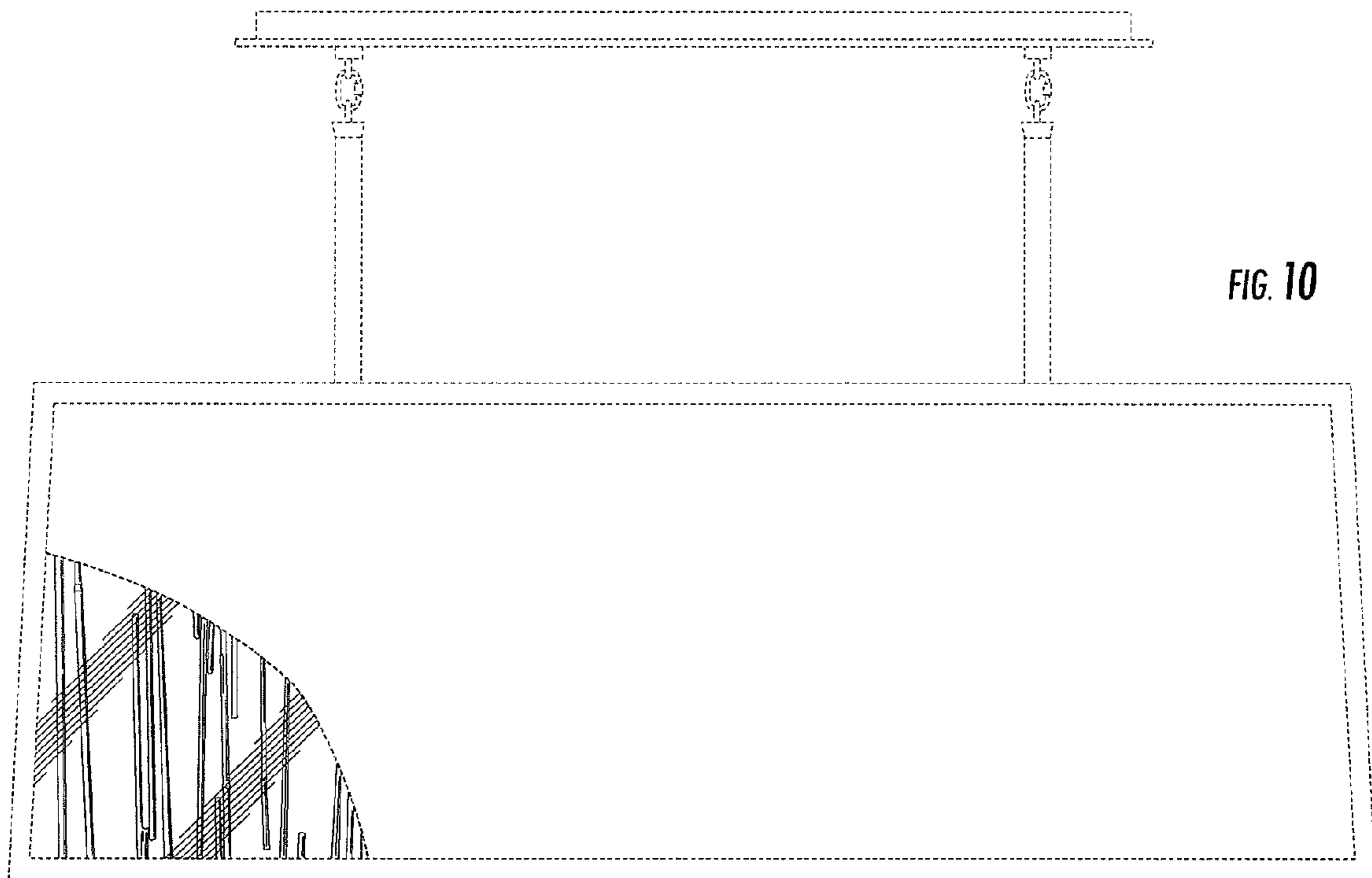


FIG. 9



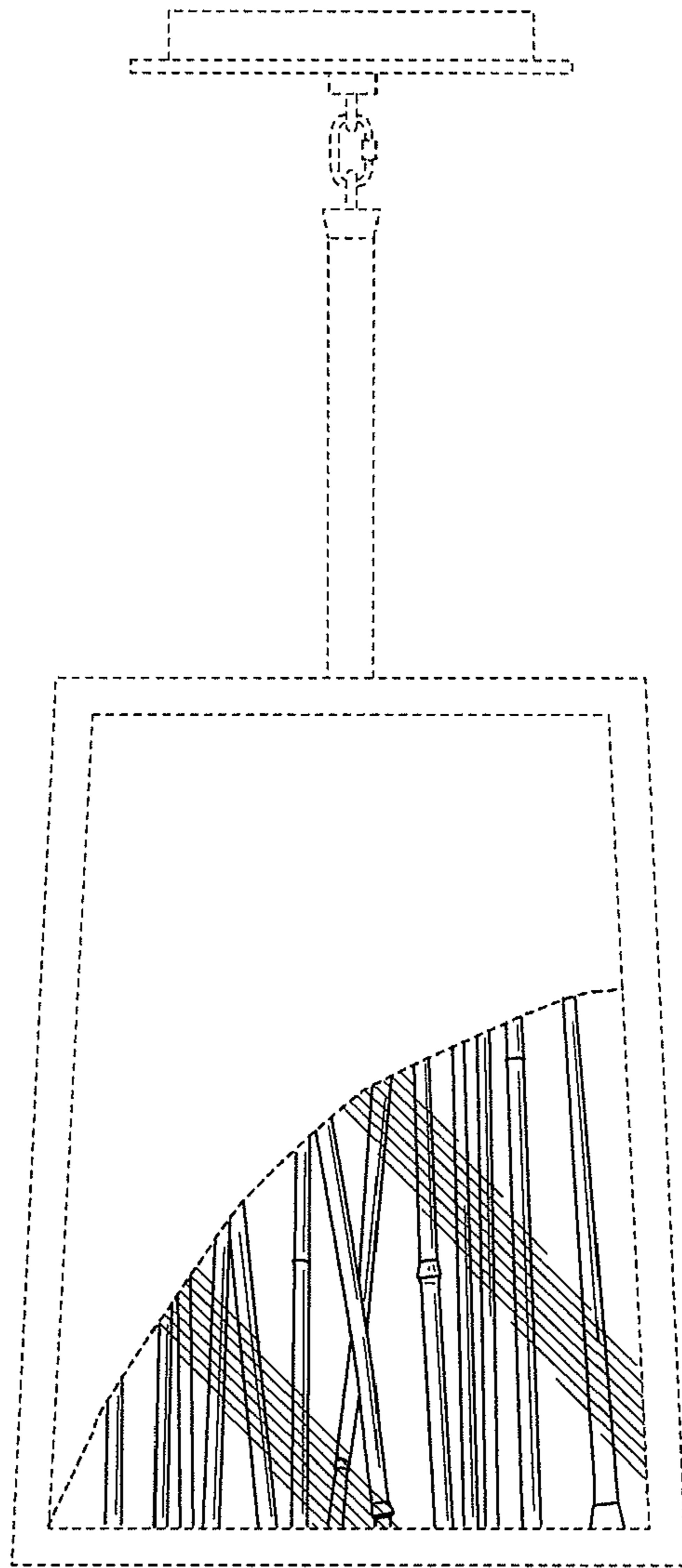


FIG. 11

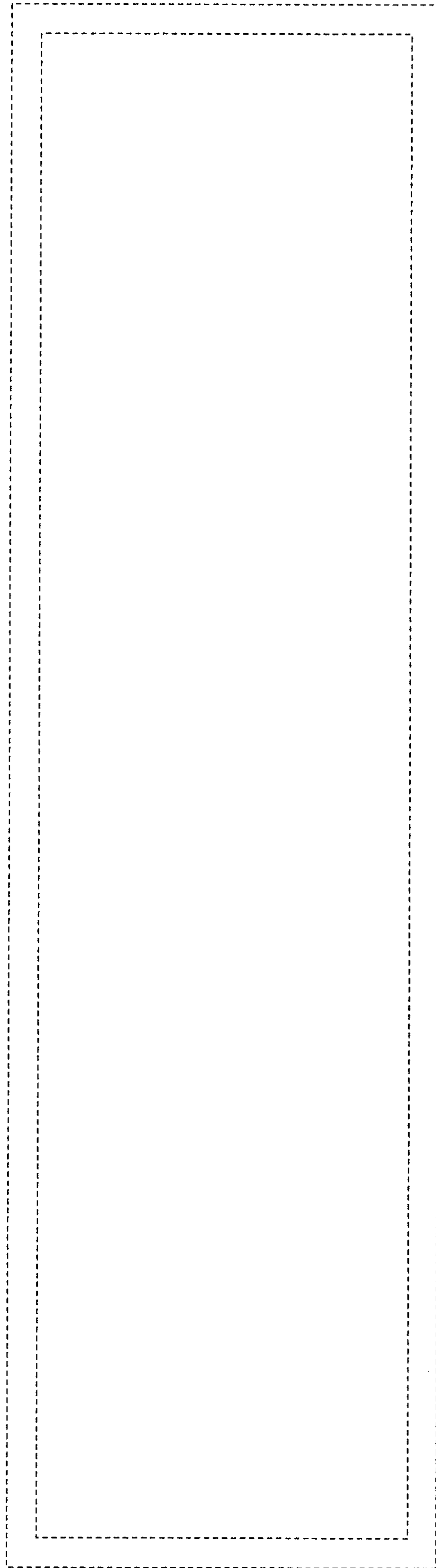


FIG. 12

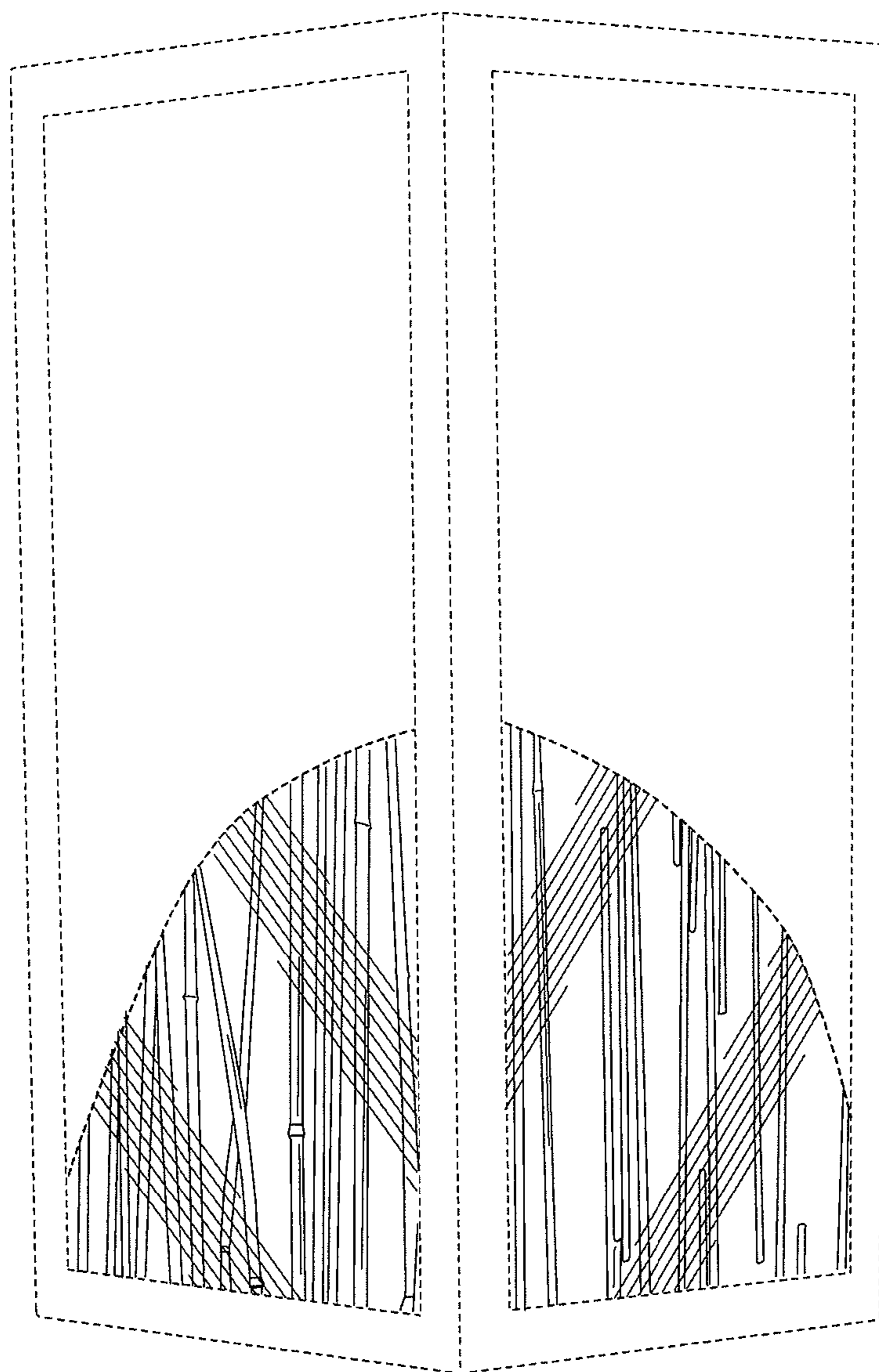


FIG. 13

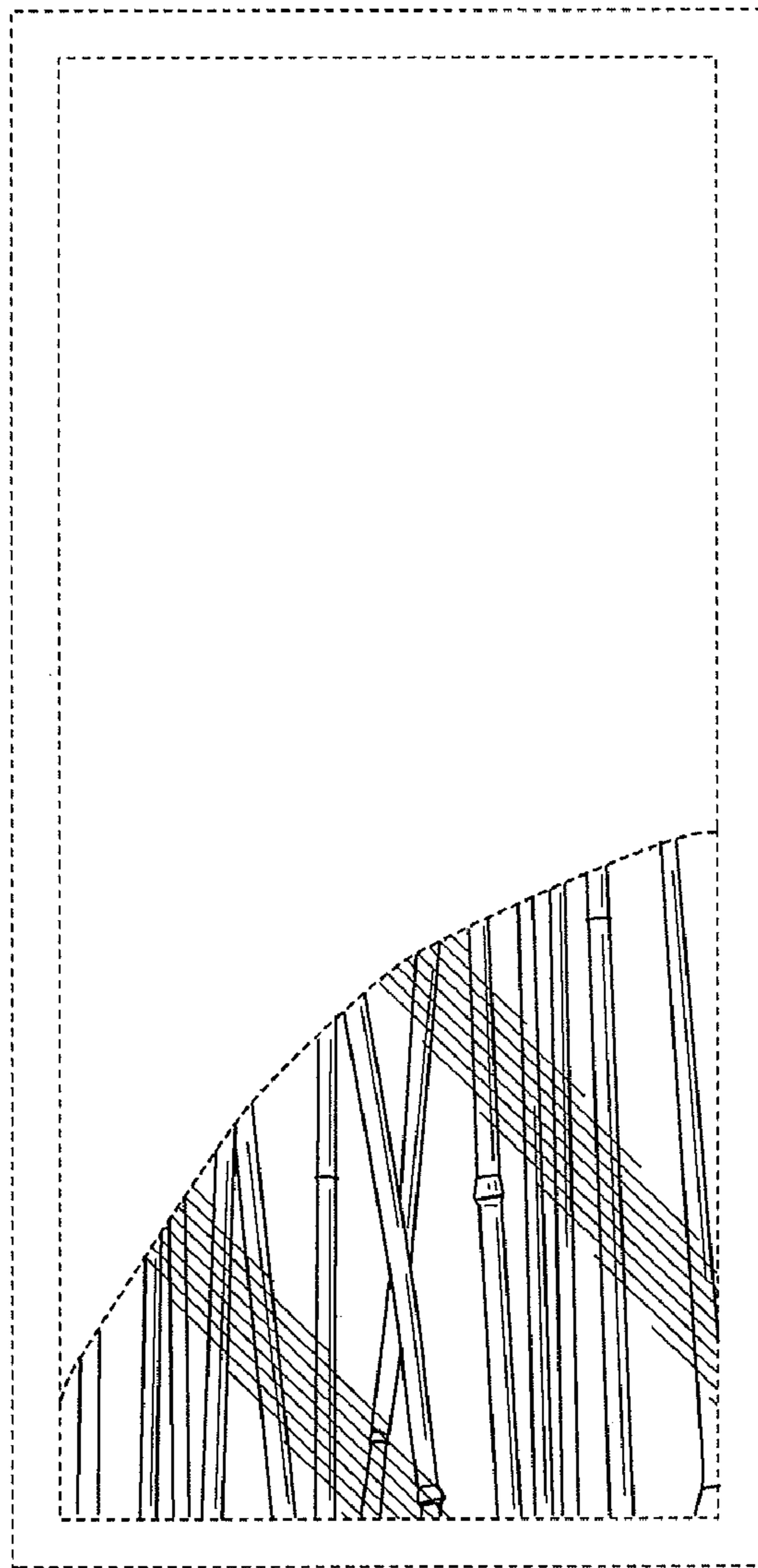


FIG. 14

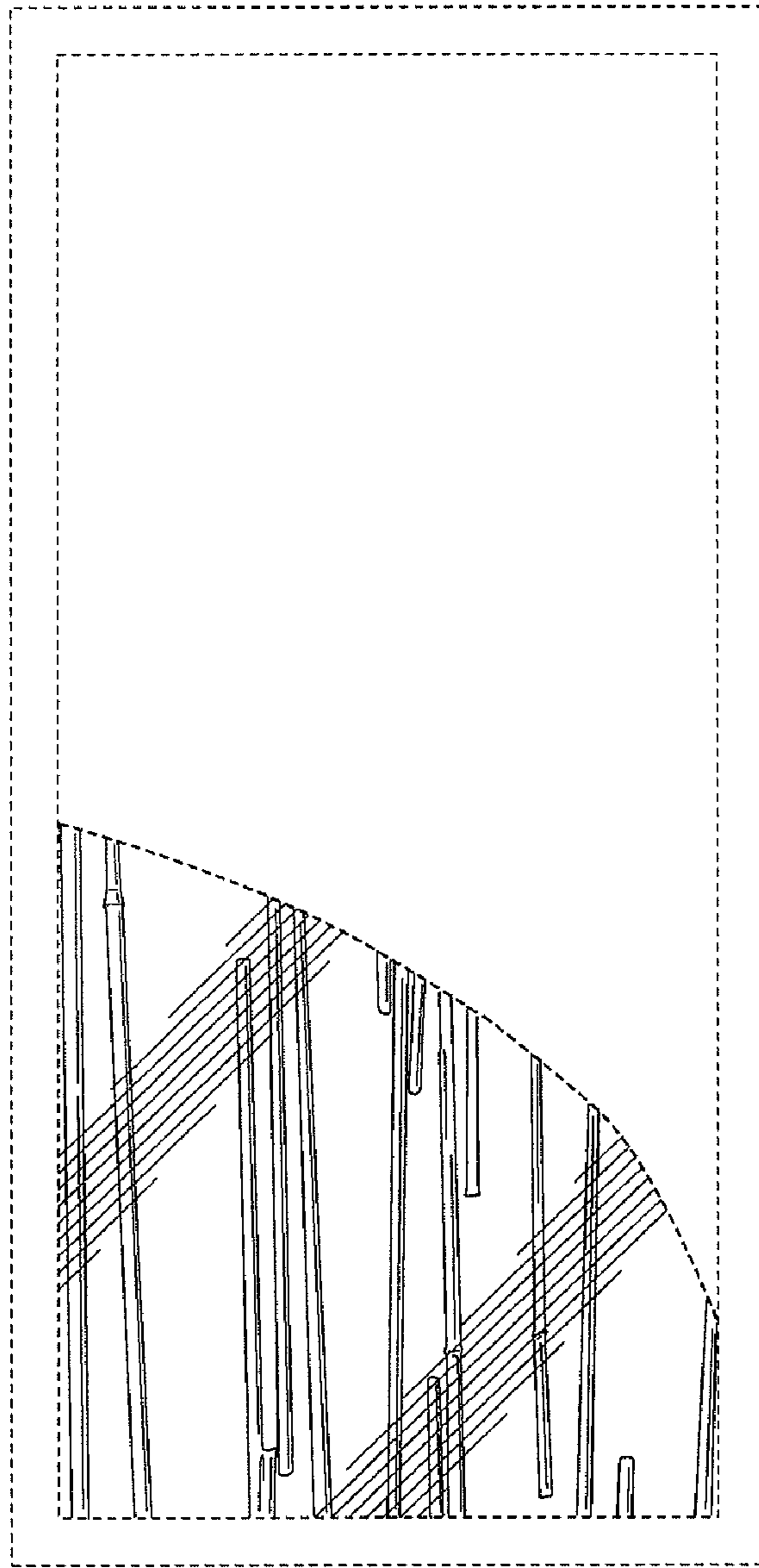


FIG. 15

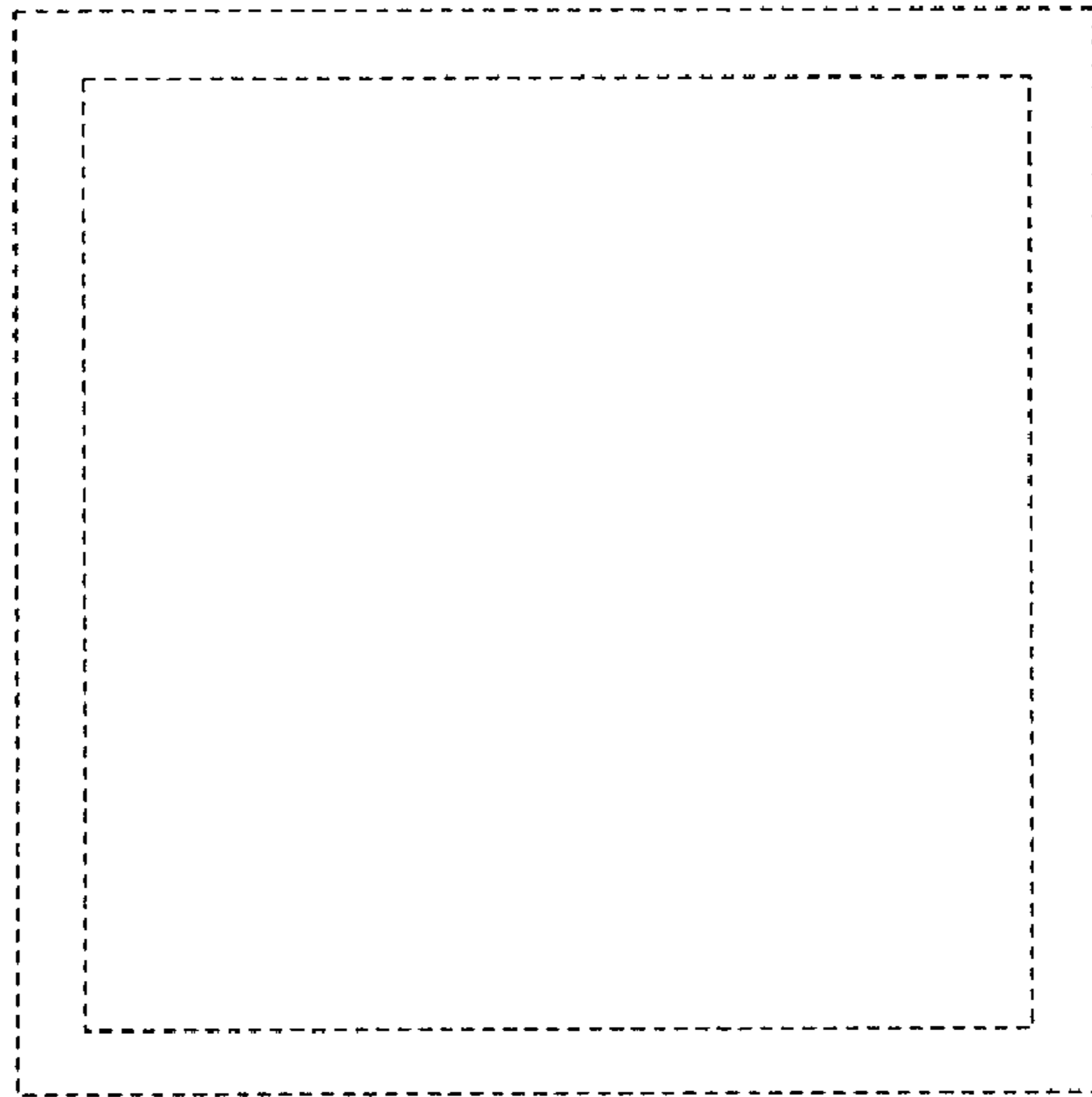


FIG. 16