



US00D590982S

(12) **United States Design Patent**
Benensohn

(10) **Patent No.:** **US D590,982 S**

(45) **Date of Patent:** **** Apr. 21, 2009**

(54) **LIGHTING FIXTURE**

(76) **Inventor:** **Sanford H. Benensohn**, 28310 Avenue Crocker, Suite B, Valencia, CA (US) 91355

(**) **Term:** **14 Years**

(21) **Appl. No.:** **29/307,657**

(22) **Filed:** **Jun. 3, 2008**

(51) **LOC (9) Cl.** **26-03**

(52) **U.S. Cl.** **D26/79**

(58) **Field of Classification Search** D26/57, D26/72, 79, 85, 88, 89, 101, 127, 146, 147, D26/156; 362/147, 404, 433, 451, 453-456, 362/216

See application file for complete search history.

(56) **References Cited**

U.S. PATENT DOCUMENTS

D151,632 S * 11/1948 Gomberg D26/79
D186,749 S * 11/1959 Ford D23/385
3,742,208 A * 6/1973 Mills 362/216
4,282,563 A * 8/1981 Ohta et al. 362/216

4,831,505 A * 5/1989 Van Norman 362/216
D386,805 S * 11/1997 Bonnette et al. D26/74
6,598,997 B2 * 7/2003 Shyu 362/280
6,705,747 B2 * 3/2004 Caferro et al. 362/291
6,814,471 B1 * 11/2004 Stoner 362/364
D544,629 S * 6/2007 Benensohn D26/79
D544,986 S * 6/2007 Benensohn D26/79

* cited by examiner

Primary Examiner—Clare E Heflin

(74) *Attorney, Agent, or Firm*—Michael A. Painter

(57) **CLAIM**

The ornamental design for a lighting fixture, as shown and described.

DESCRIPTION

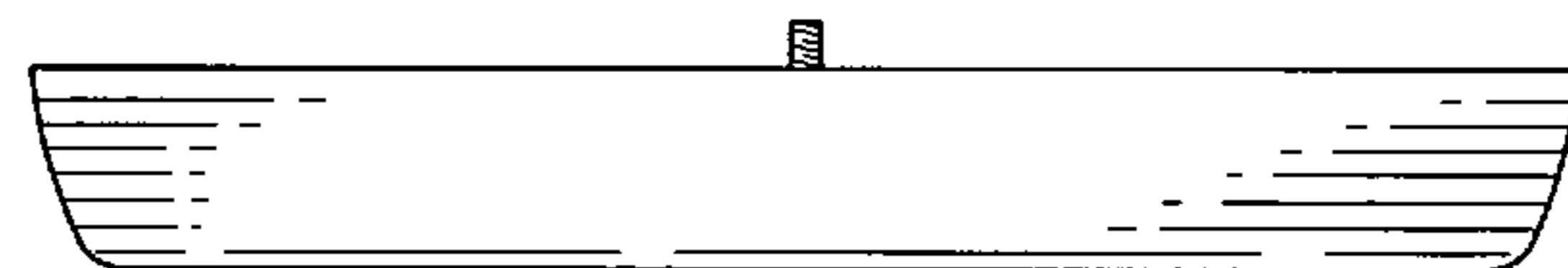
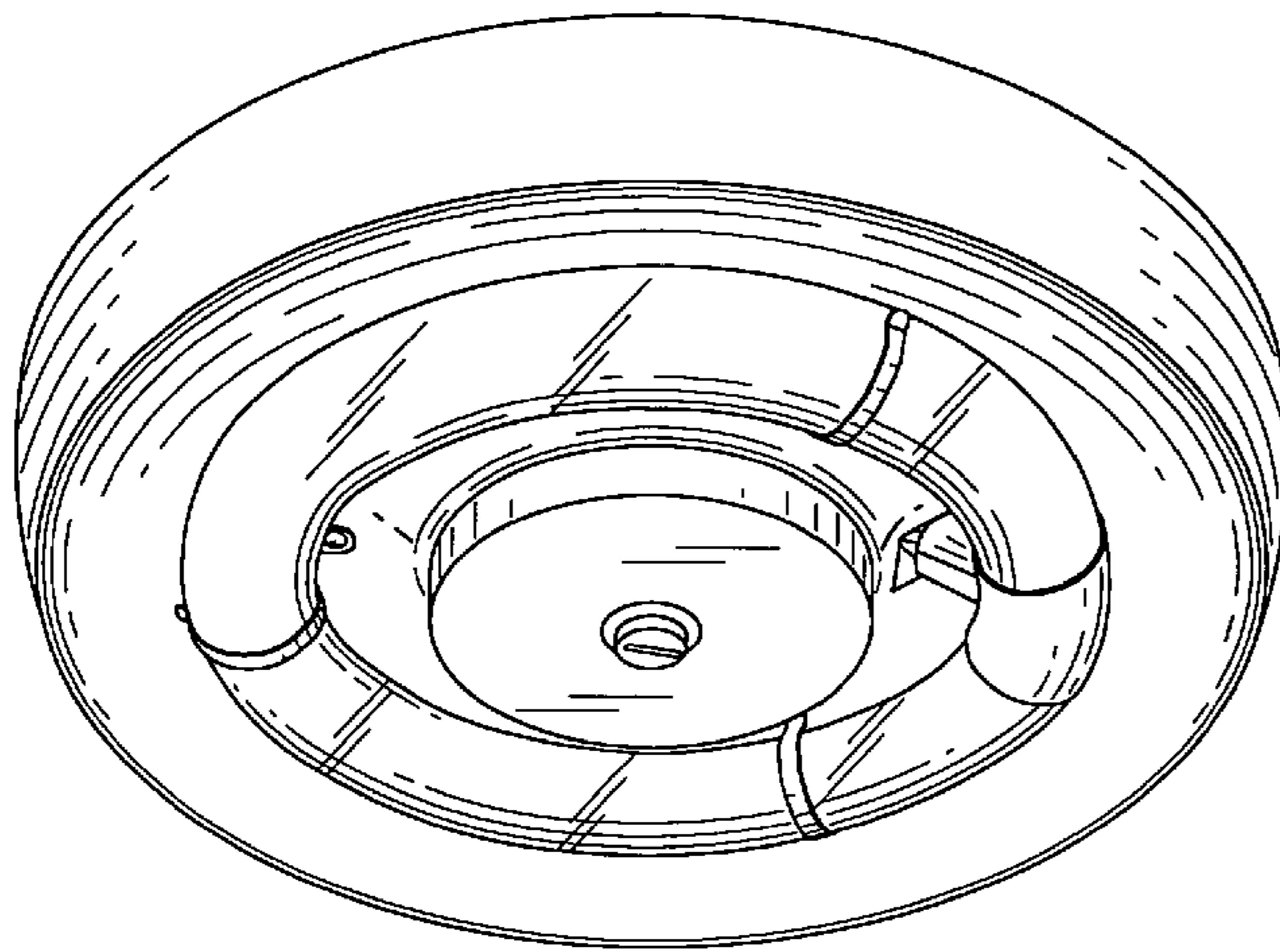
FIG. 1 is a bottom perspective view of a lighting fixture illustrating my new design;

FIG. 2 is a side elevation view thereof;

FIG. 3 is a top plan view thereof; and,

FIG. 4 is a bottom plan view thereof.

1 Claim, 2 Drawing Sheets



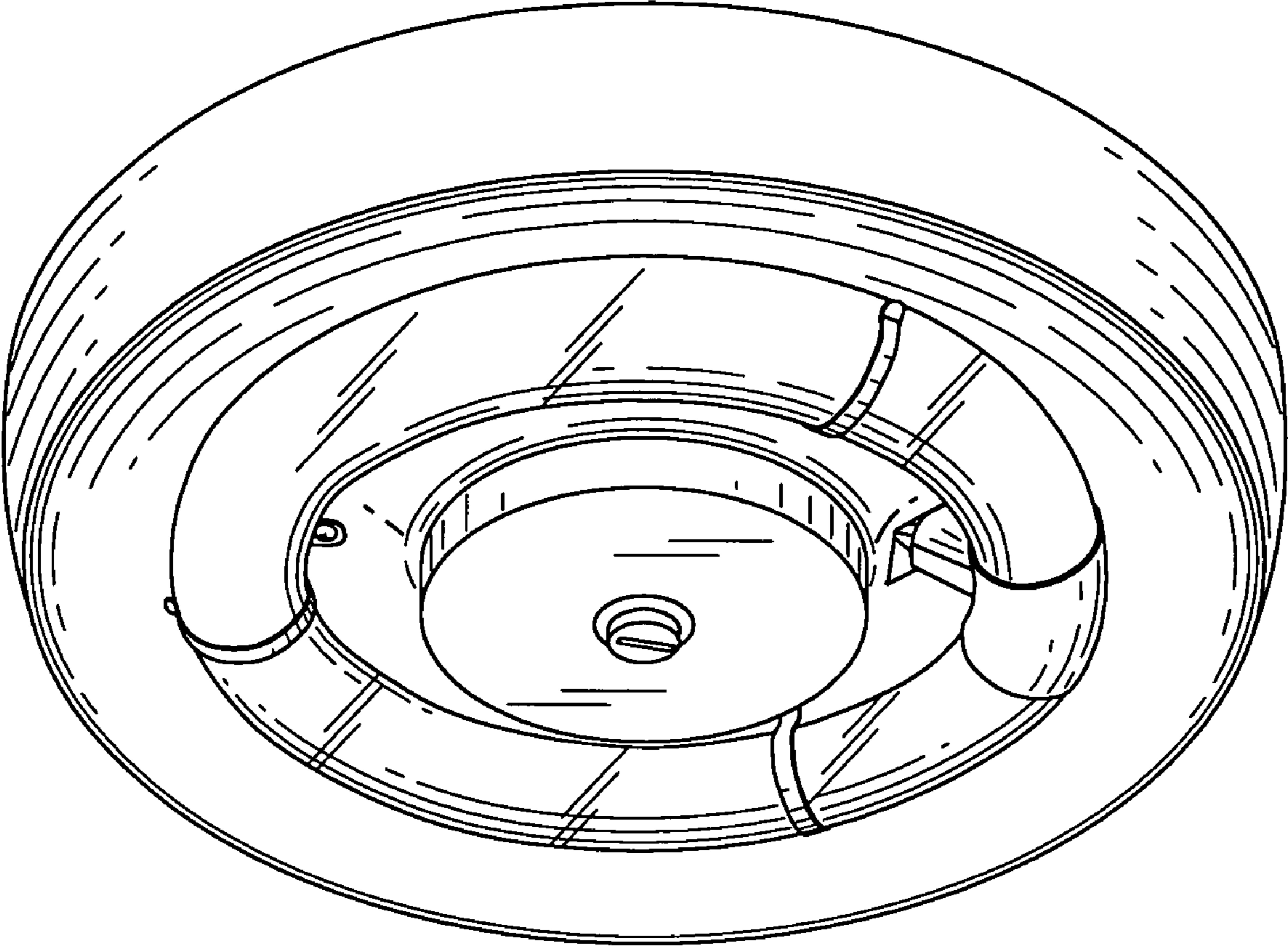


Fig. 1

Fig. 3

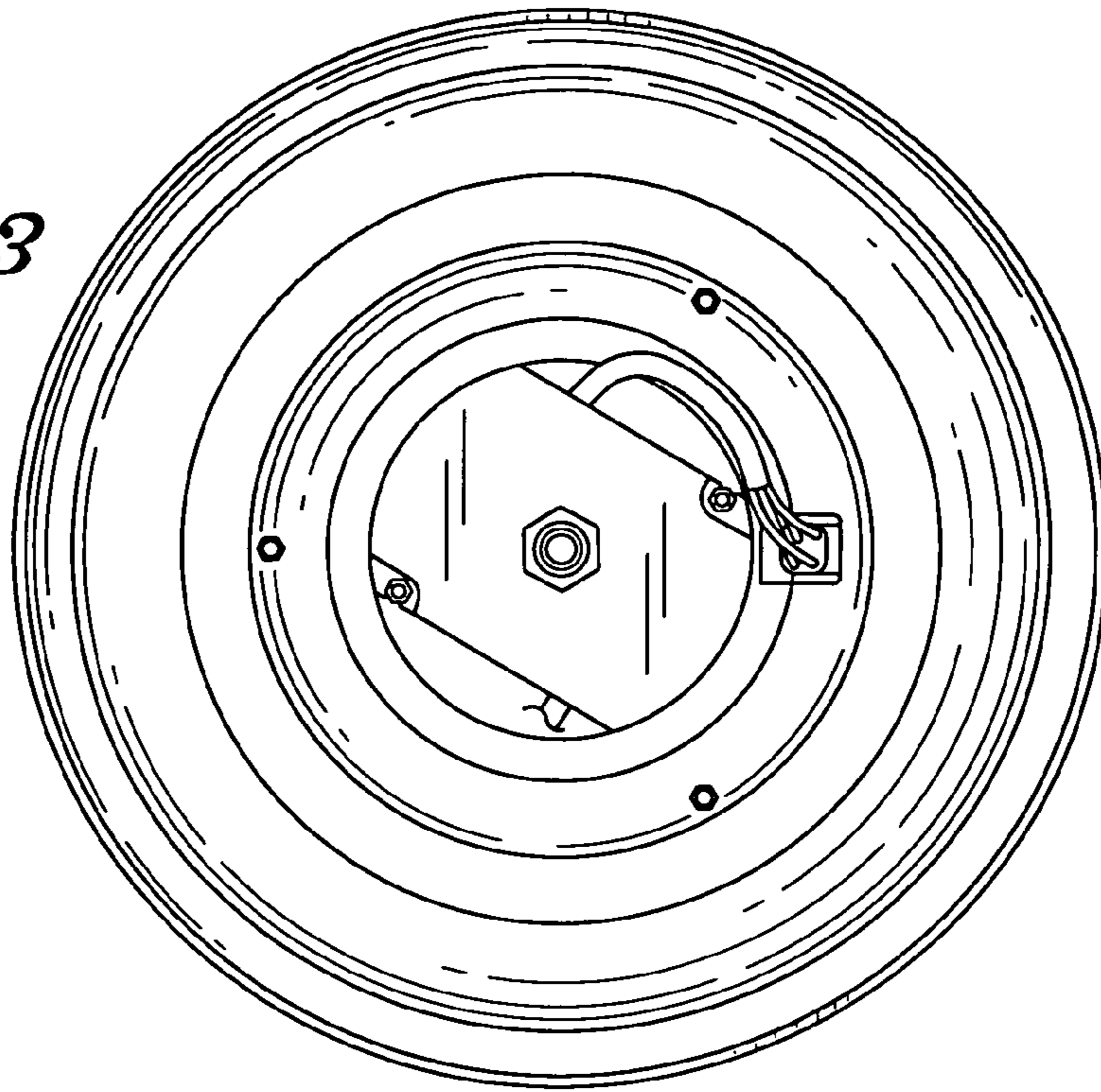


Fig. 2

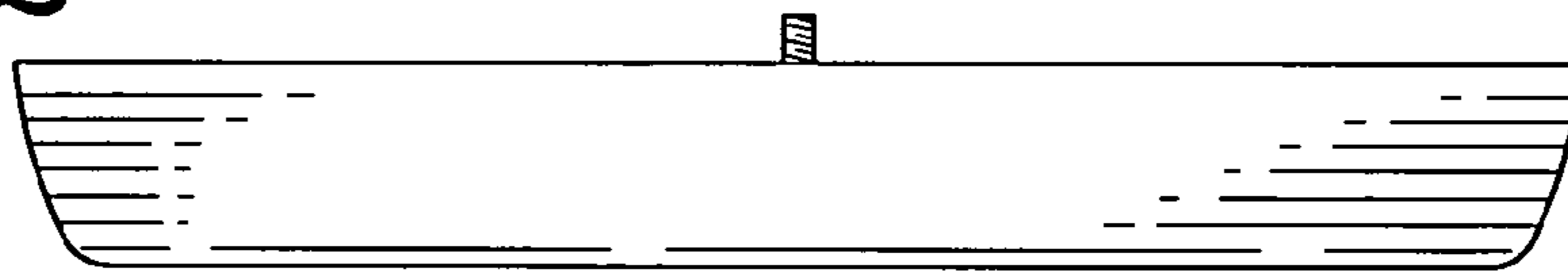


Fig. 4

