



US00D590981S

(12) **United States Design Patent**
Sabernig

(10) **Patent No.:** **US D590,981 S**

(45) **Date of Patent:** **** Apr. 21, 2009**

(54) **LIGHT FIXTURE**

(75) Inventor: **Robert Sabernig**, Munster (AT)

(73) Assignee: **EGLO Leuchten GmbH**, Innsbruck (AT)

(**) Term: **14 Years**

(21) Appl. No.: **29/322,829**

(22) Filed: **Aug. 13, 2008**

(51) **LOC (9) Cl.** **26-05**

(52) **U.S. Cl.** **D26/63**

(58) **Field of Classification Search** D26/43,
D26/51, 56, 60-66, 72, 93, 107, 118, 128;
D24/210; 362/147, 191, 230, 231, 232, 238,
362/239, 250, 254, 255, 265, 269, 270, 275,
362/277, 278, 280-288, 306, 310, 311, 362,
362/396, 404, 410-414, 418-430, 449, 640,
362/647, 648, 652, 653, 655, 804, 99; 439/122
See application file for complete search history.

(56) **References Cited**

U.S. PATENT DOCUMENTS

D217,063 S * 3/1970 Daito D26/107
4,118,760 A * 10/1978 Cohon 362/239

D464,458 S * 10/2002 Lee D26/80
D470,962 S * 2/2003 Chen D26/63
D472,662 S * 4/2003 Lee D26/80
D542,456 S * 5/2007 Swanson D26/65
D557,441 S * 12/2007 Hsu D26/83

* cited by examiner

Primary Examiner—Cathron C Brooks

Assistant Examiner—Barbara Fox

(74) *Attorney, Agent, or Firm*—Baker & McKenzie LLP

(57) **CLAIM**

The ornamental design for a light fixture, as shown and described.

DESCRIPTION

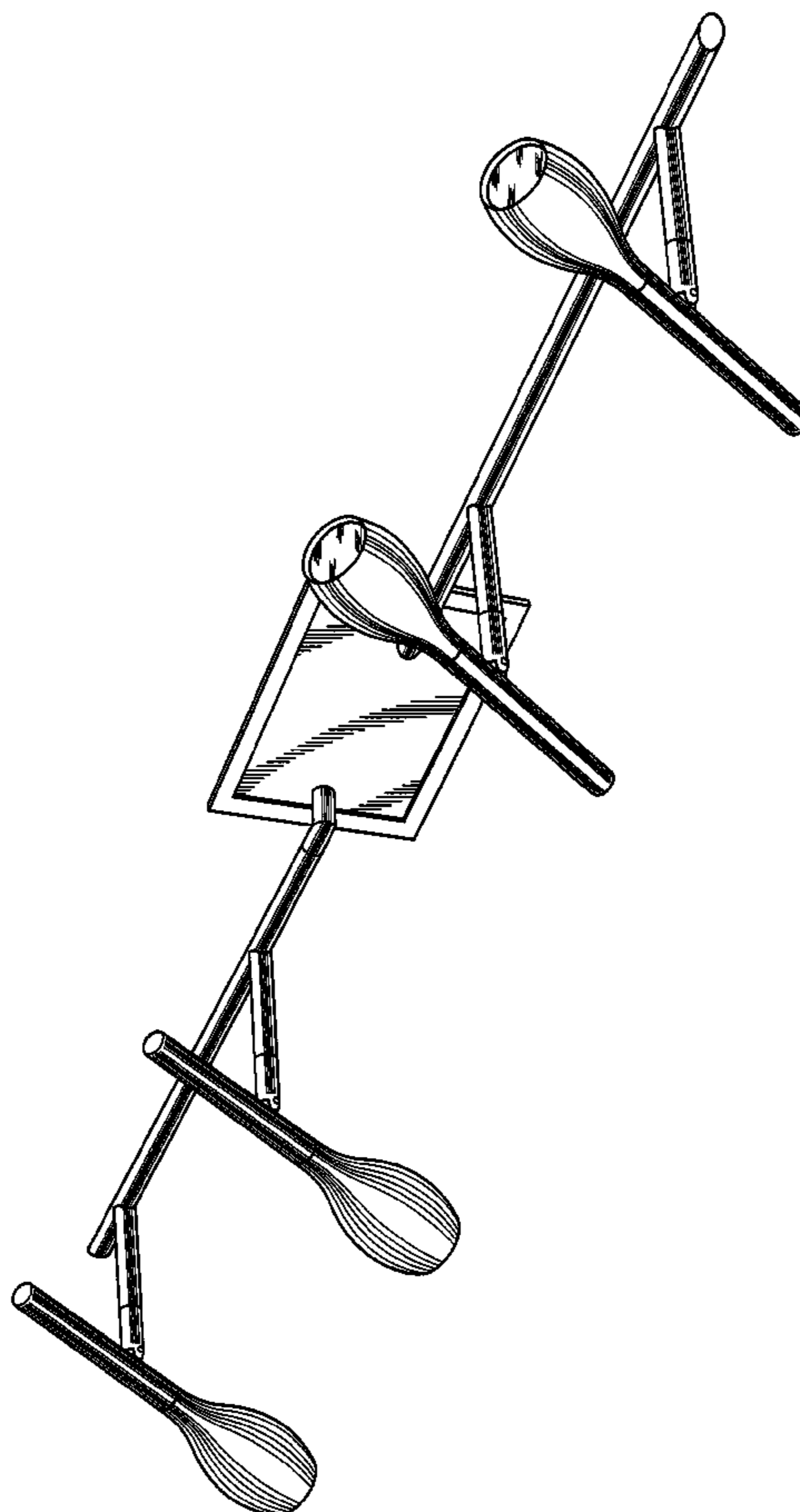
FIG. 1 is a bottom perspective view of a light fixture in accordance with my design;

FIG. 2 is a side elevation view of the light fixture in accordance with my design, the opposite side being a mirror image of that shown;

FIG. 3 is a bottom plan view of the light fixture in accordance with my design; and,

FIG. 4 is a front elevation view of the light fixture in accordance with my design.

1 Claim, 2 Drawing Sheets



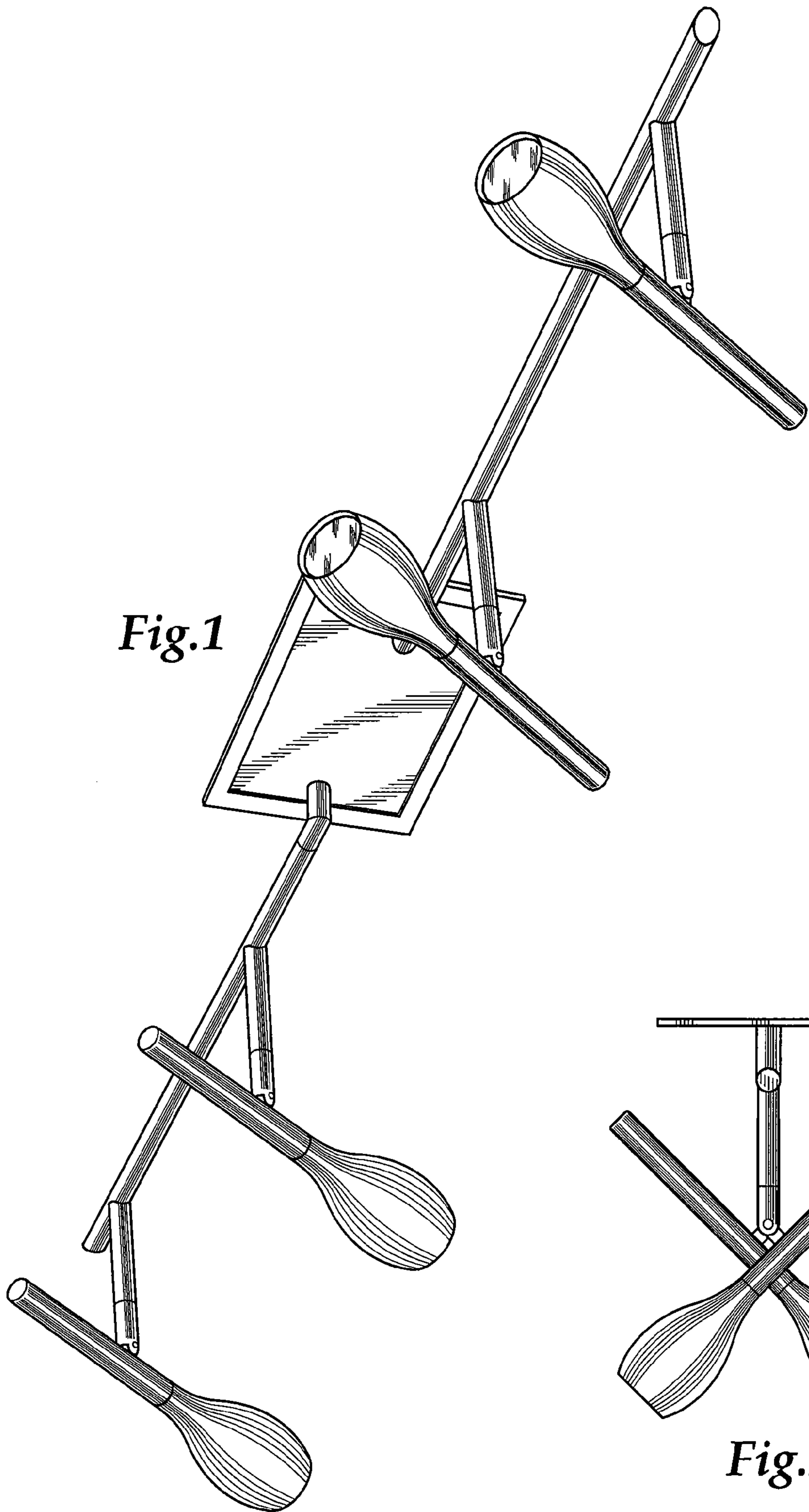


Fig.1

Fig.2

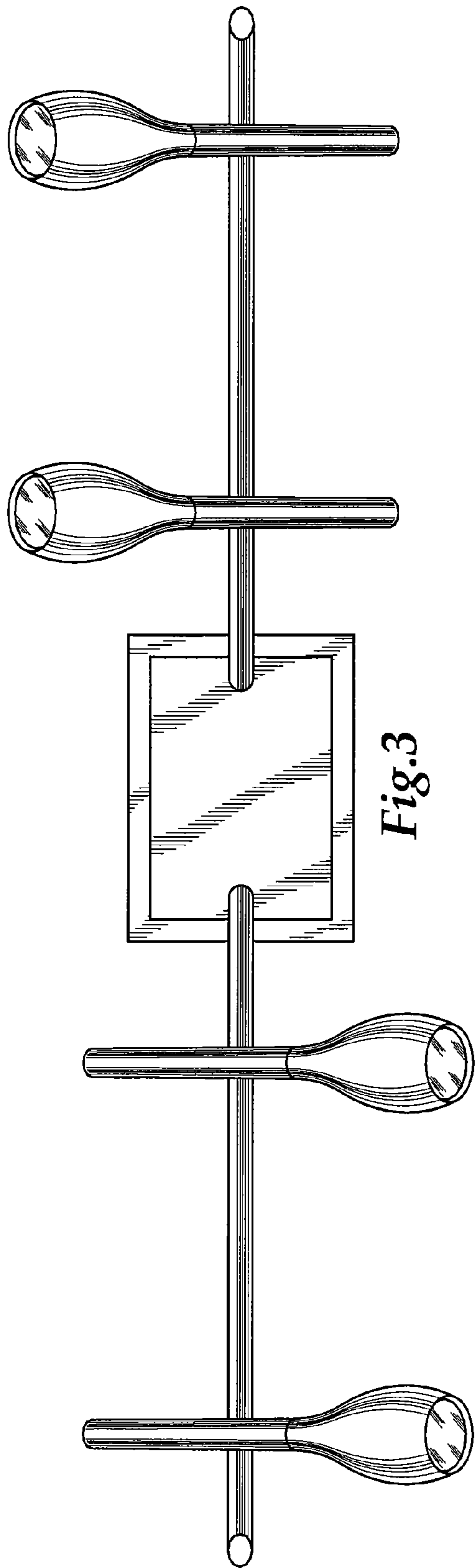


Fig.3

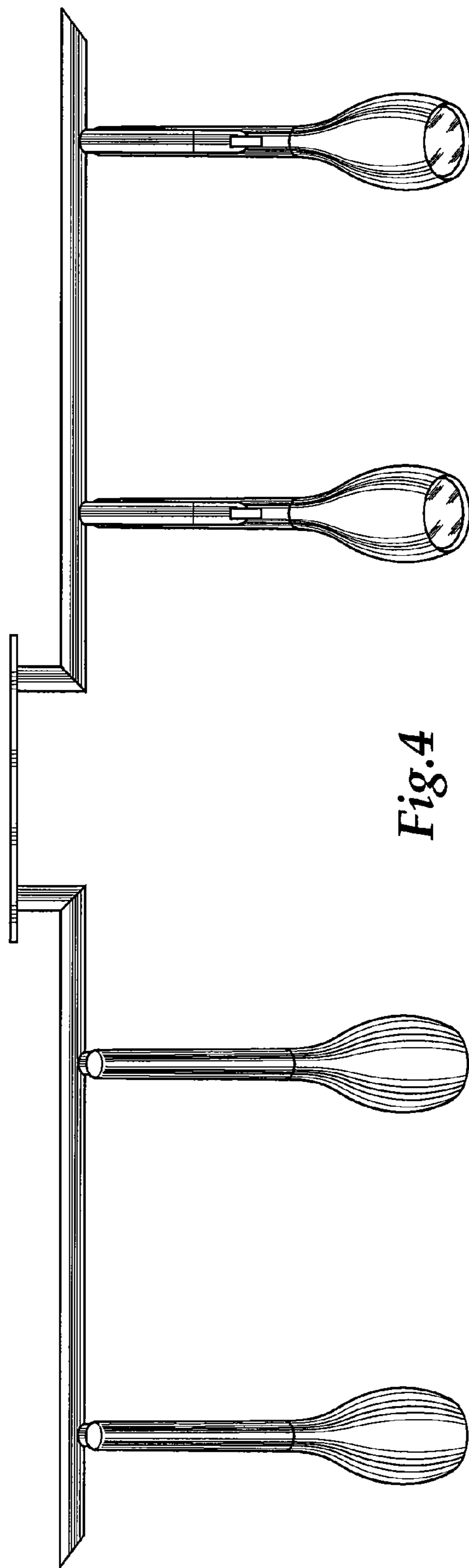


Fig.4