



US00D590980S

(12) **United States Design Patent**
Sabernig

(10) **Patent No.:** **US D590,980 S**

(45) **Date of Patent:** **** Apr. 21, 2009**

(54) **LIGHT FIXTURE**

(75) Inventor: **Robert Sabernig**, Munster (AT)

(73) Assignee: **EGLO Leuchten GmbH**, Innsbruck (AT)

(**) Term: **14 Years**

(21) Appl. No.: **29/322,828**

(22) Filed: **Aug. 13, 2008**

(51) **LOC (9) Cl.** **26-05**

(52) **U.S. Cl.** **D26/63**

(58) **Field of Classification Search** D26/43,
D26/51, 56, 60–66, 72, 93, 107, 118, 128;
D24/210; 362/147, 191, 230, 231, 232, 238,
362/239, 250, 254, 255, 265, 269, 270, 275,
362/277, 278, 280–288, 306, 310, 311, 362,
362/396, 404, 410–414, 418–430, 449, 640,
362/647, 648, 652, 653, 655, 804, 99; 439/122
See application file for complete search history.

(56) **References Cited**

U.S. PATENT DOCUMENTS

2,488,898	A	*	11/1949	Brasty	248/282.1
D217,063	S	*	3/1970	Daito	D26/107
D235,915	S	*	7/1975	Desrochers	D26/63
4,118,760	A	*	10/1978	Cohon	362/239
D301,755	S	*	6/1989	Gismondi	D26/63
D311,829	S	*	11/1990	Vossoughi	D6/418
5,342,137	A	*	8/1994	Peng	403/164

D374,735	S	*	10/1996	Huang	D26/65
D470,962	S	*	2/2003	Chen	D26/63
D472,662	S	*	4/2003	Lee	D26/80
D542,456	S	*	5/2007	Swanson	D26/65
D556,373	S	*	11/2007	Sussman et al.	D26/145

* cited by examiner

Primary Examiner—Cathron C Brooks

Assistant Examiner—Barbara Fox

(74) *Attorney, Agent, or Firm*—Baker & McKenzie LLP

(57) **CLAIM**

The ornamental design for a light fixture, as shown and described.

DESCRIPTION

FIG. 1 is a bottom perspective view of a light fixture in accordance with my design;

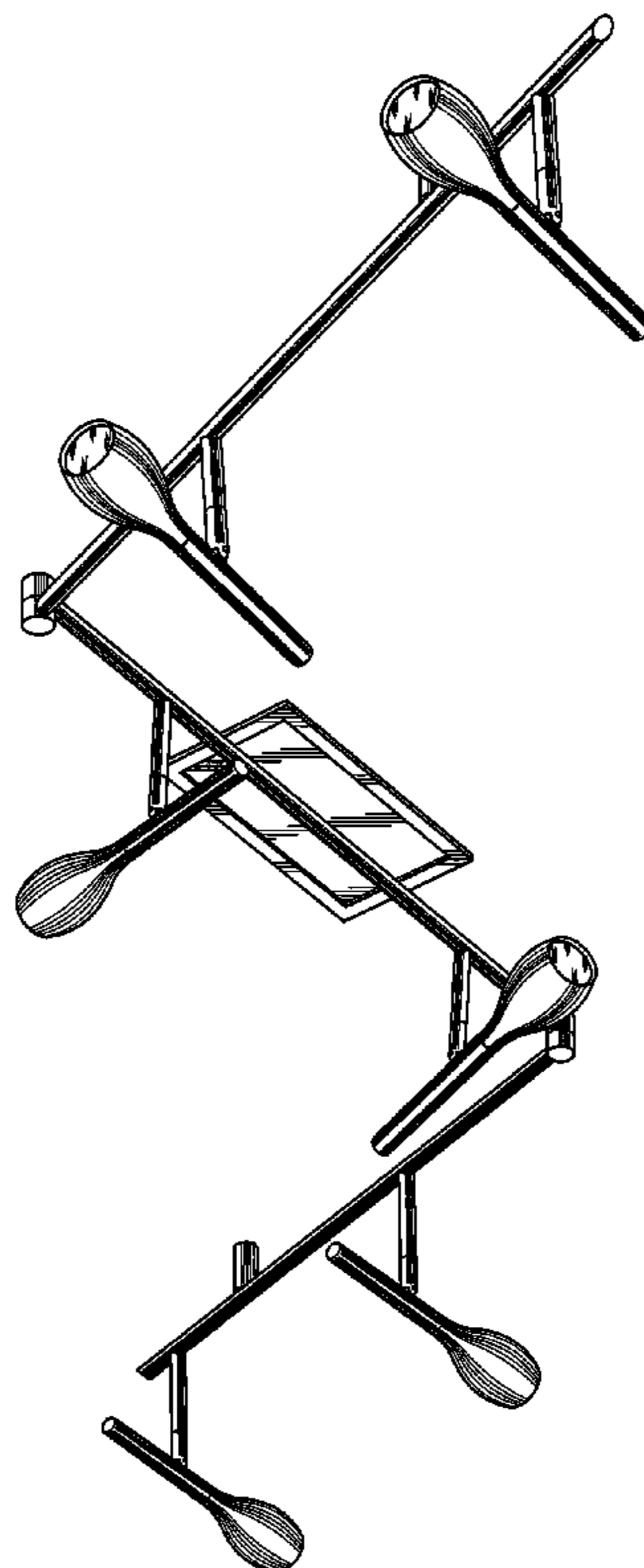
FIG. 2 is a front elevation view of the light fixture in accordance with my design, the opposite side being a mirror image of that shown;

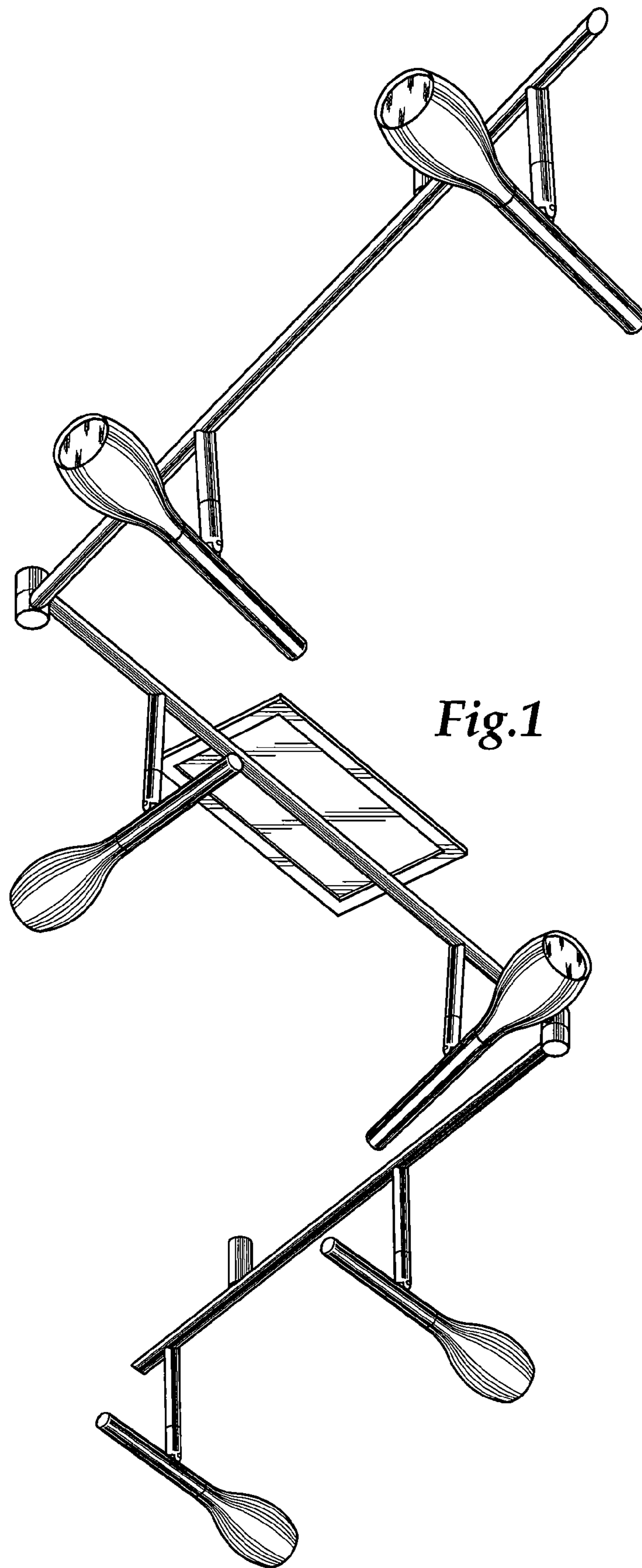
FIG. 3 is a bottom plan view of the light fixture in accordance with my design; and,

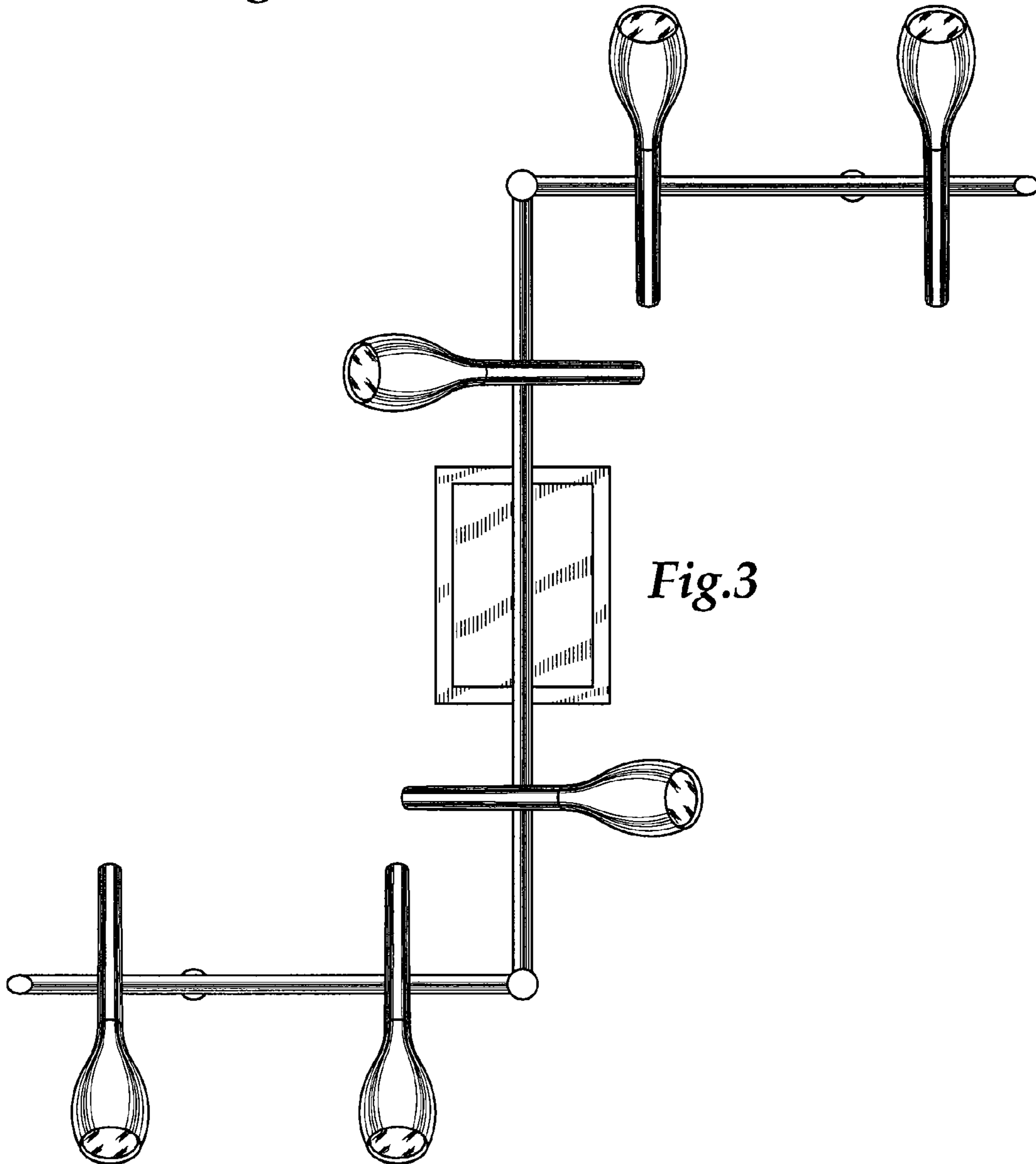
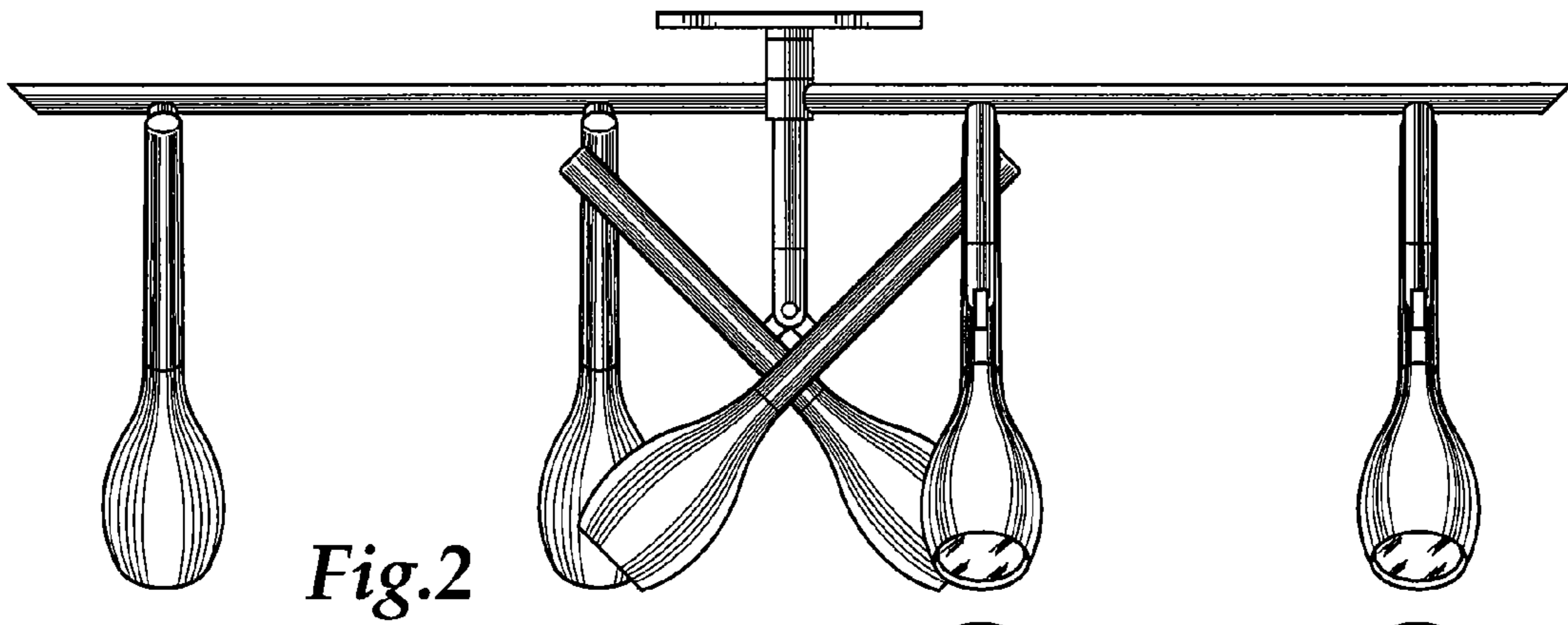
FIG. 4 is a side elevation view of the light fixture in accordance with my design, the opposite side being a mirror image of that shown.

The movable portions of FIGS. 1–4 do not change position from figure to figure, but have the capability of moving independently of each other.

1 Claim, 3 Drawing Sheets







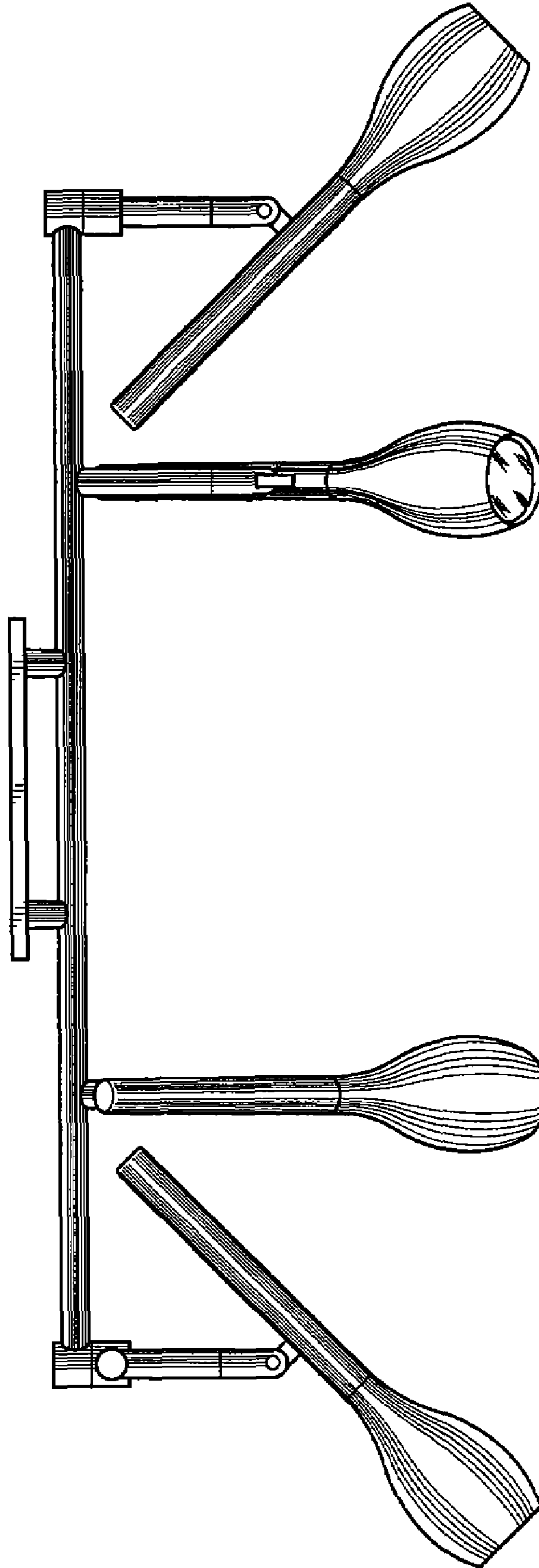


Fig. 4