



US00D590979S

(12) **United States Design Patent**
Mullen

(10) **Patent No.:** **US D590,979 S**
(45) **Date of Patent:** **** Apr. 21, 2009**

(54) **LIGHT FIXTURE**

(76) Inventor: **Nate Mullen**, 1240 Simpson Way,
Escondido, CA (US) 92029

(**) Term: **14 Years**

(21) Appl. No.: **29/322,308**

(22) Filed: **Aug. 1, 2008**

(51) **LOC (9) Cl.** **26-05**

(52) **U.S. Cl.** **D26/63**

(58) **Field of Classification Search** D26/61-67,
D26/83, 86, 87, 89, 128; 362/147, 237, 238,
362/250, 282, 283, 285, 287, 288, 371, 426,
362/648

See application file for complete search history.

(56) **References Cited**

U.S. PATENT DOCUMENTS

- D172,522 S * 6/1954 Stone D26/63
- 3,270,192 A * 8/1966 Watson 362/293
- D370,069 S * 5/1996 Mier-Langner et al. D26/63
- 5,651,606 A * 7/1997 Krogman 362/96
- D495,079 S * 8/2004 Mullen D26/63
- D518,909 S * 4/2006 Mullen D26/61
- D519,662 S * 4/2006 Mullen D26/61

D560,838 S * 1/2008 Monroe et al. D26/63

* cited by examiner

Primary Examiner—Clare E Heflin

(74) *Attorney, Agent, or Firm*—Kelly Lowry & Kelley, LLP

(57) **CLAIM**

The ornamental design for a light fixture, as shown.

DESCRIPTION

FIG. 1 is a right perspective view of a light fixture embodying my new design;

FIG. 2 is a left perspective view of a light fixture embodying my new design;

FIG. 3 is a front view of a light fixture embodying my new design;

FIG. 4 is a rear view of a light fixture embodying my new design;

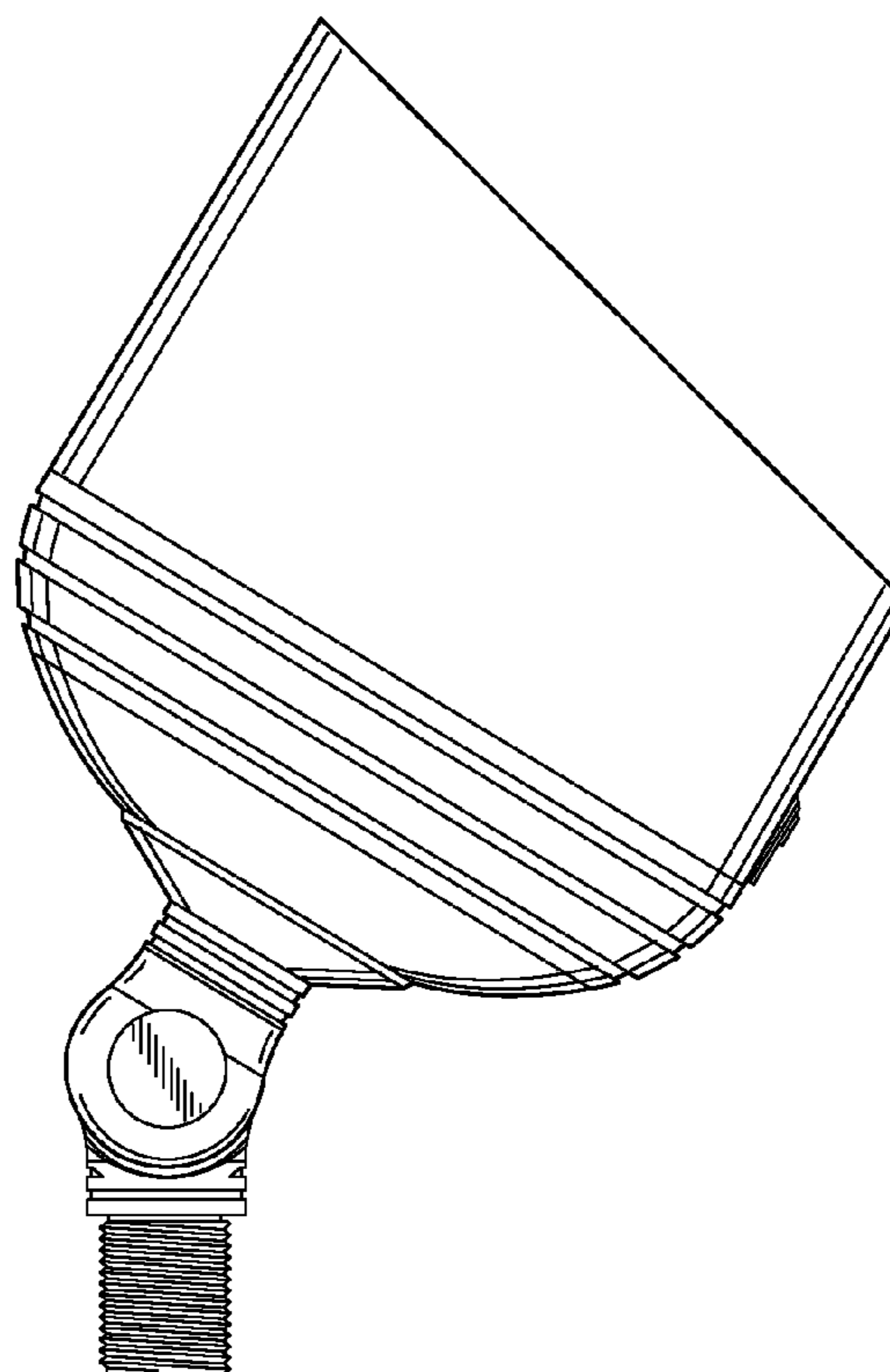
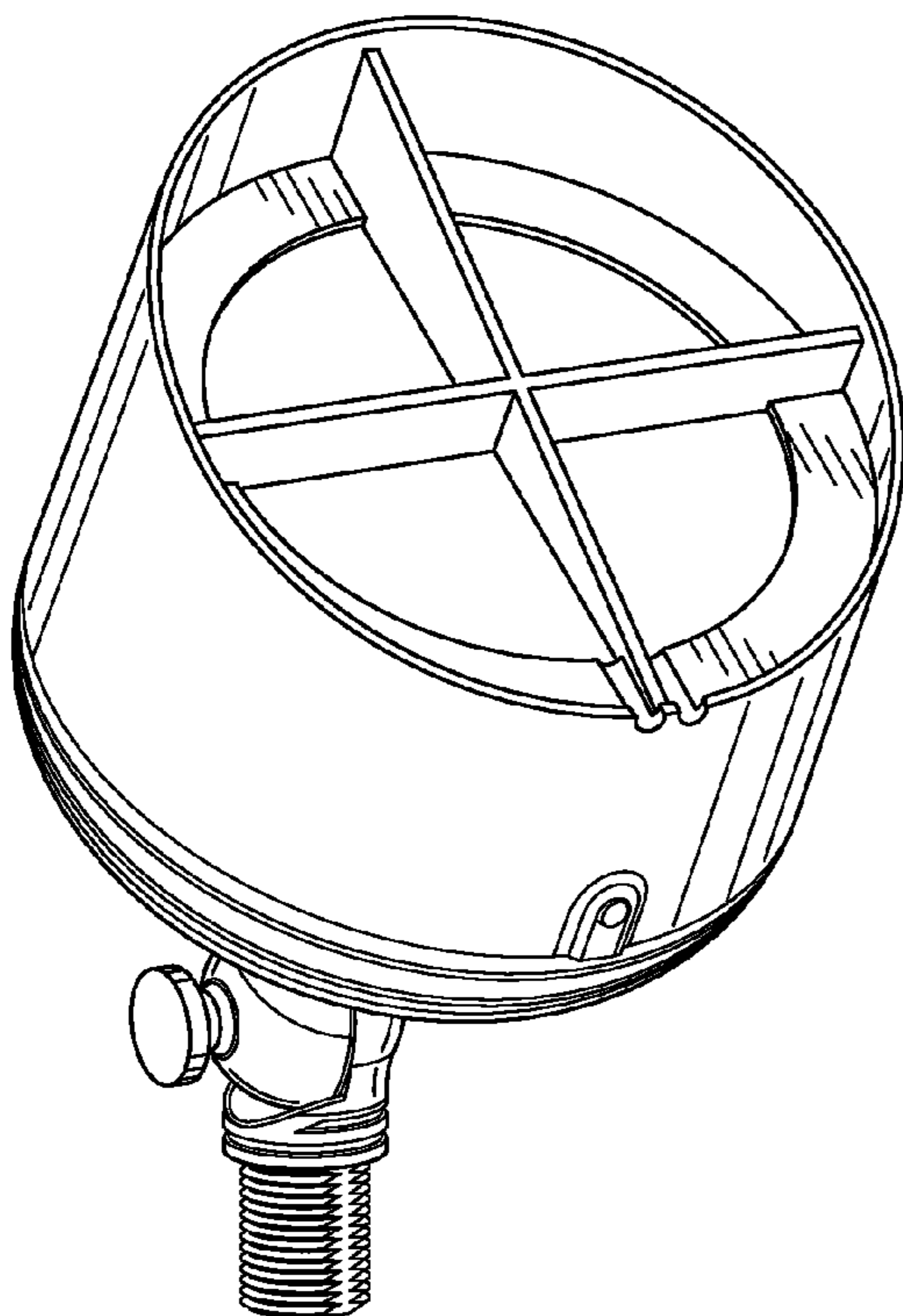
FIG. 5 is a left side view of a light fixture embodying my new design;

FIG. 6 is a right side view of a light fixture embodying my new design;

FIG. 7 is a top view of a light fixture embodying my new design; and,

FIG. 8 is a bottom view of a light fixture embodying my new design.

1 Claim, 3 Drawing Sheets



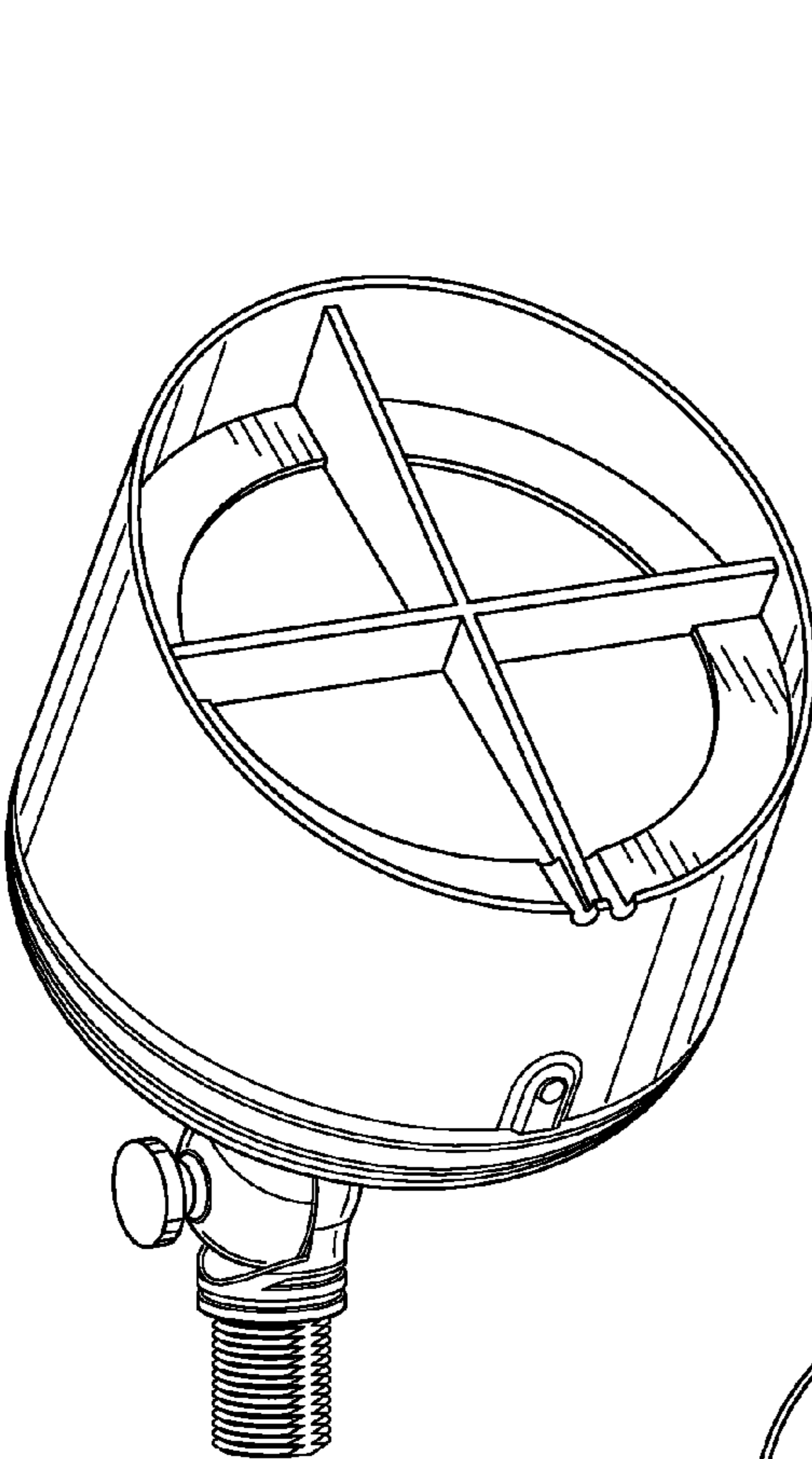


FIG. 2

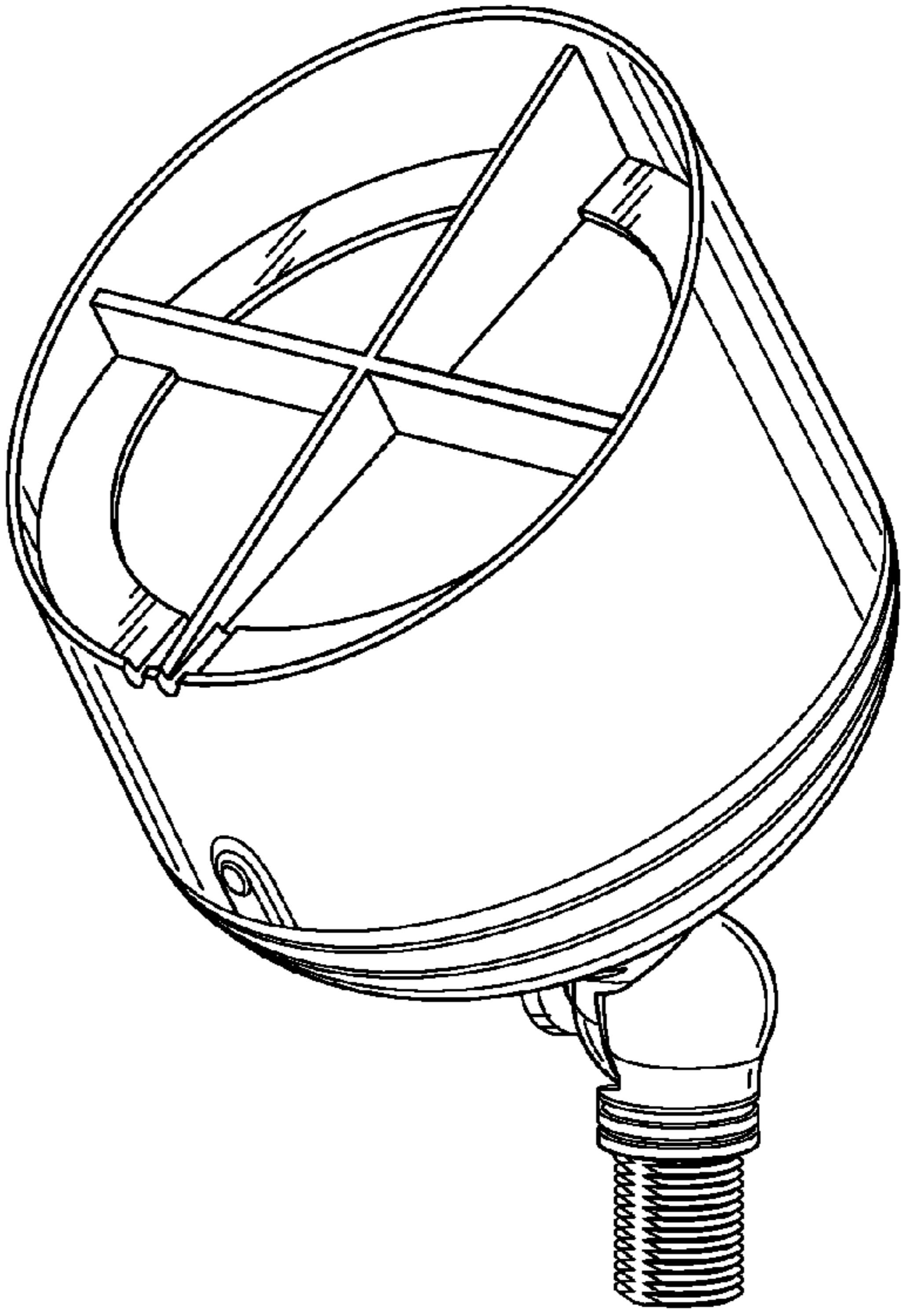


FIG. 1

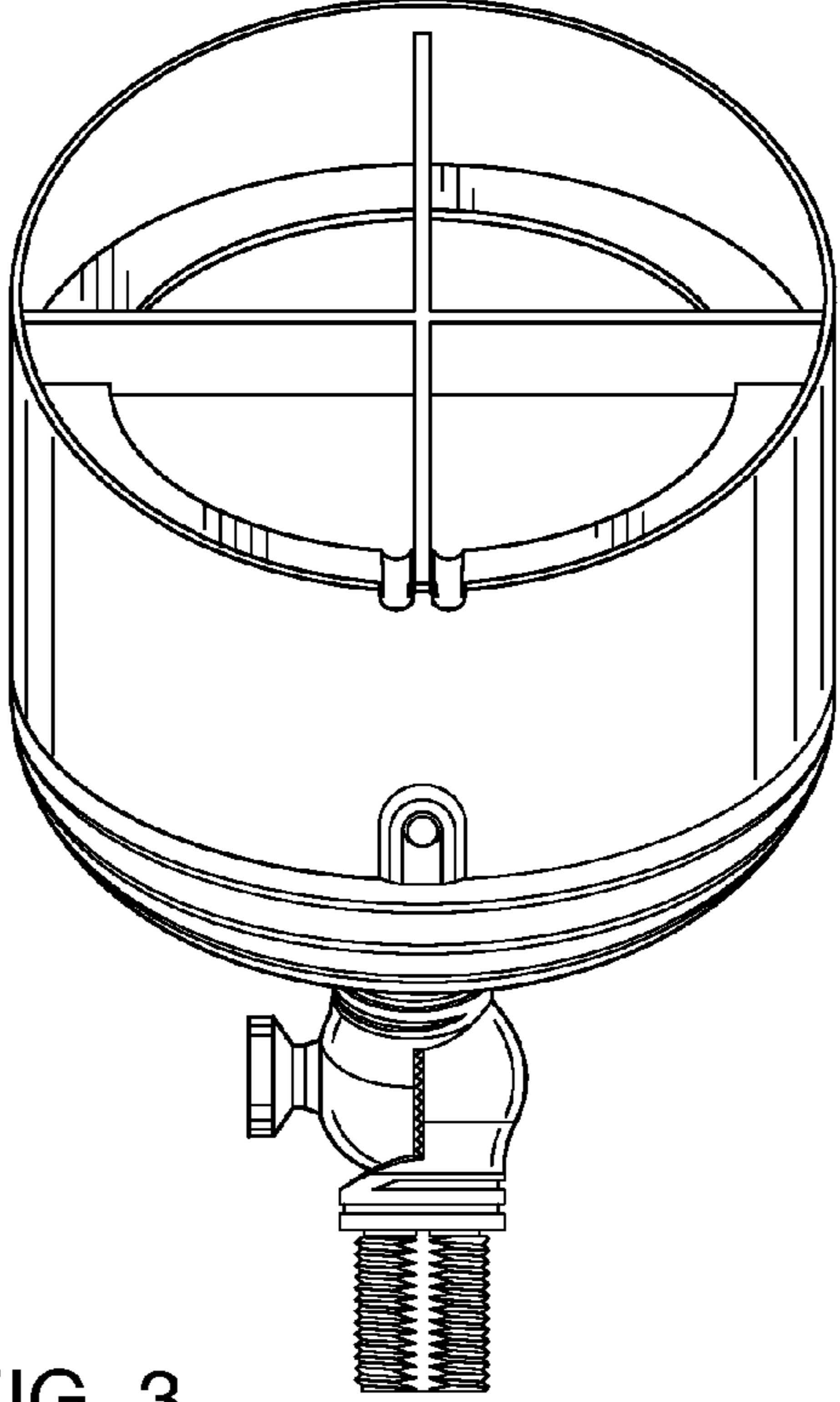


FIG. 3

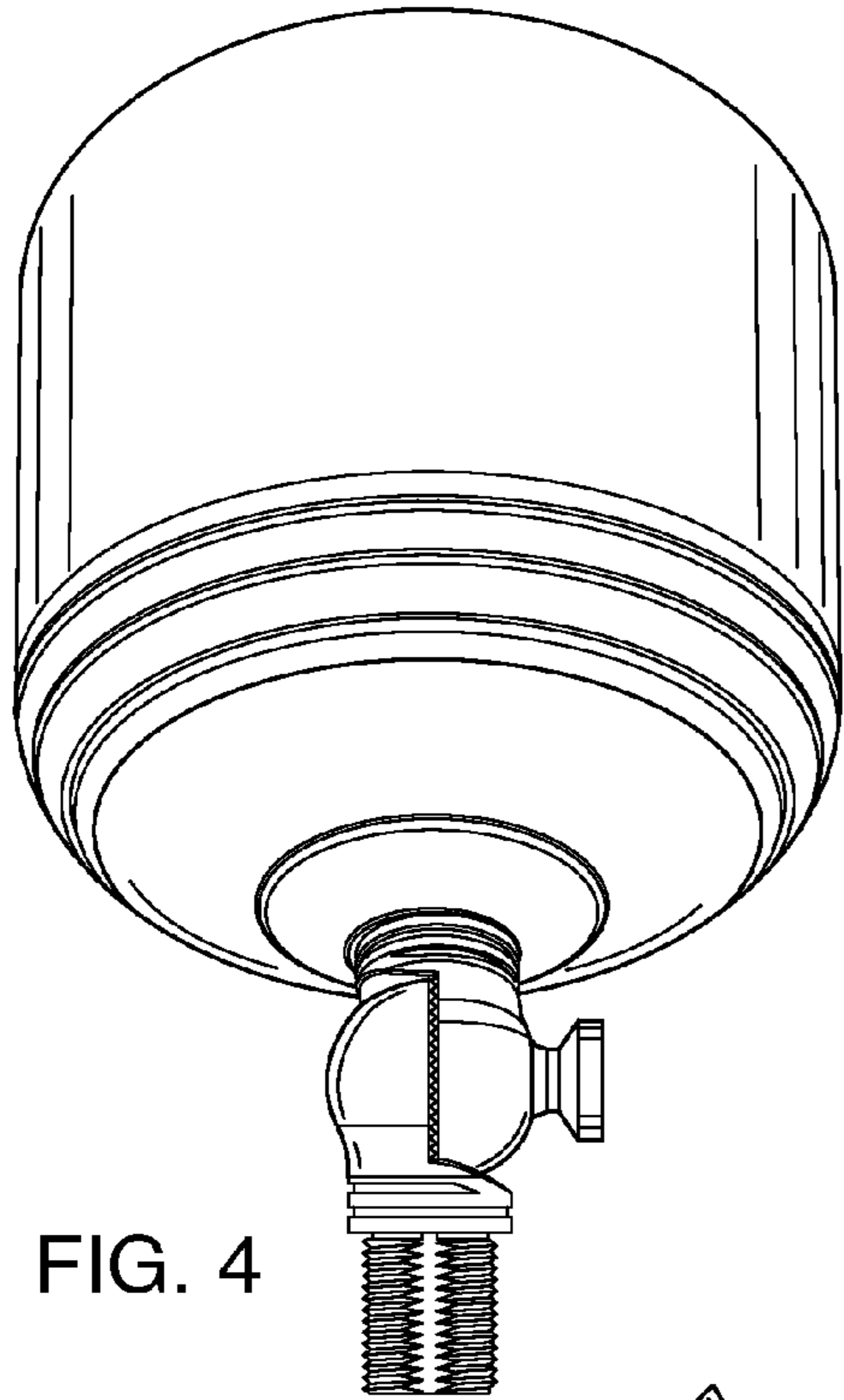


FIG. 4

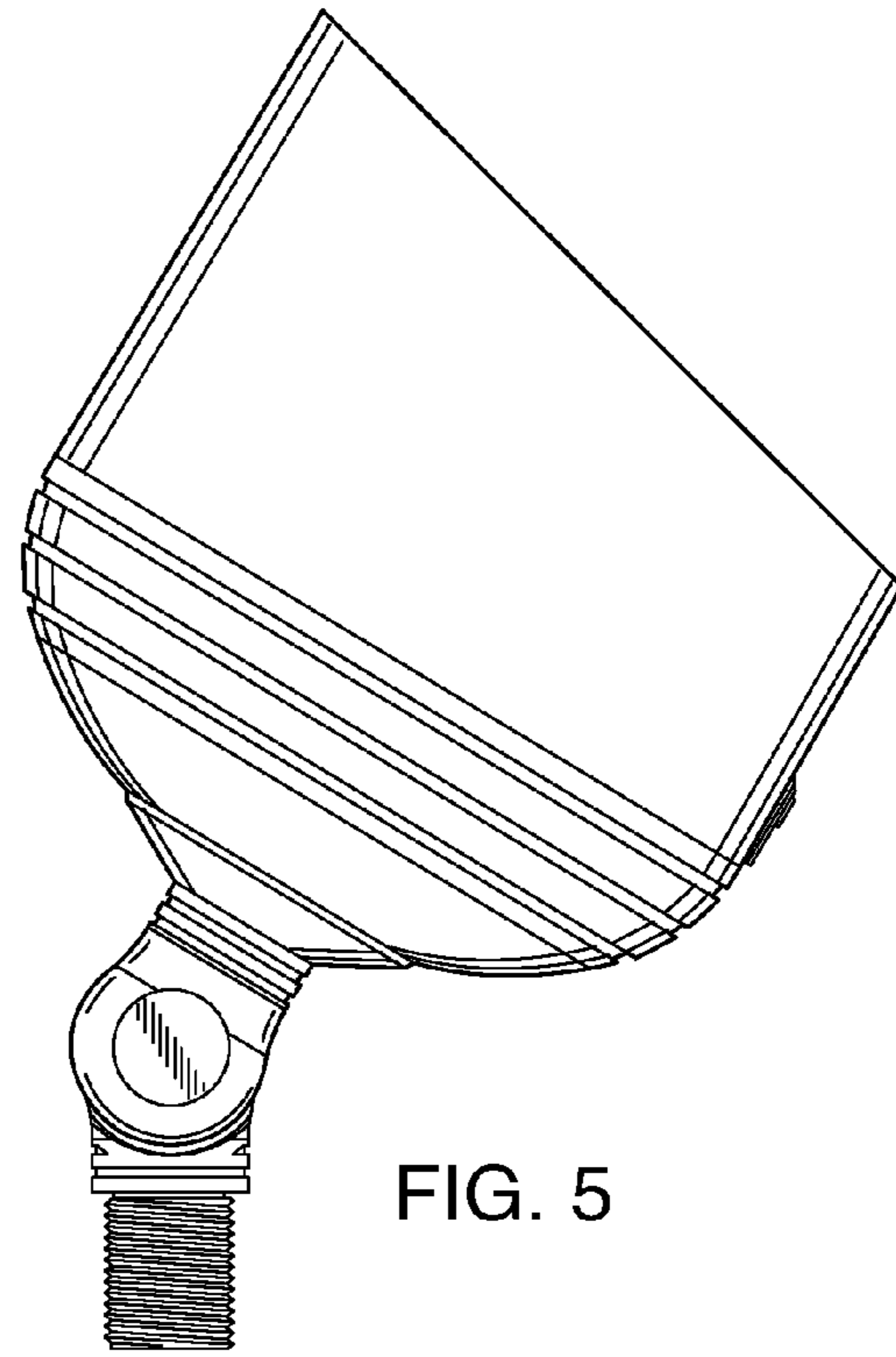


FIG. 5

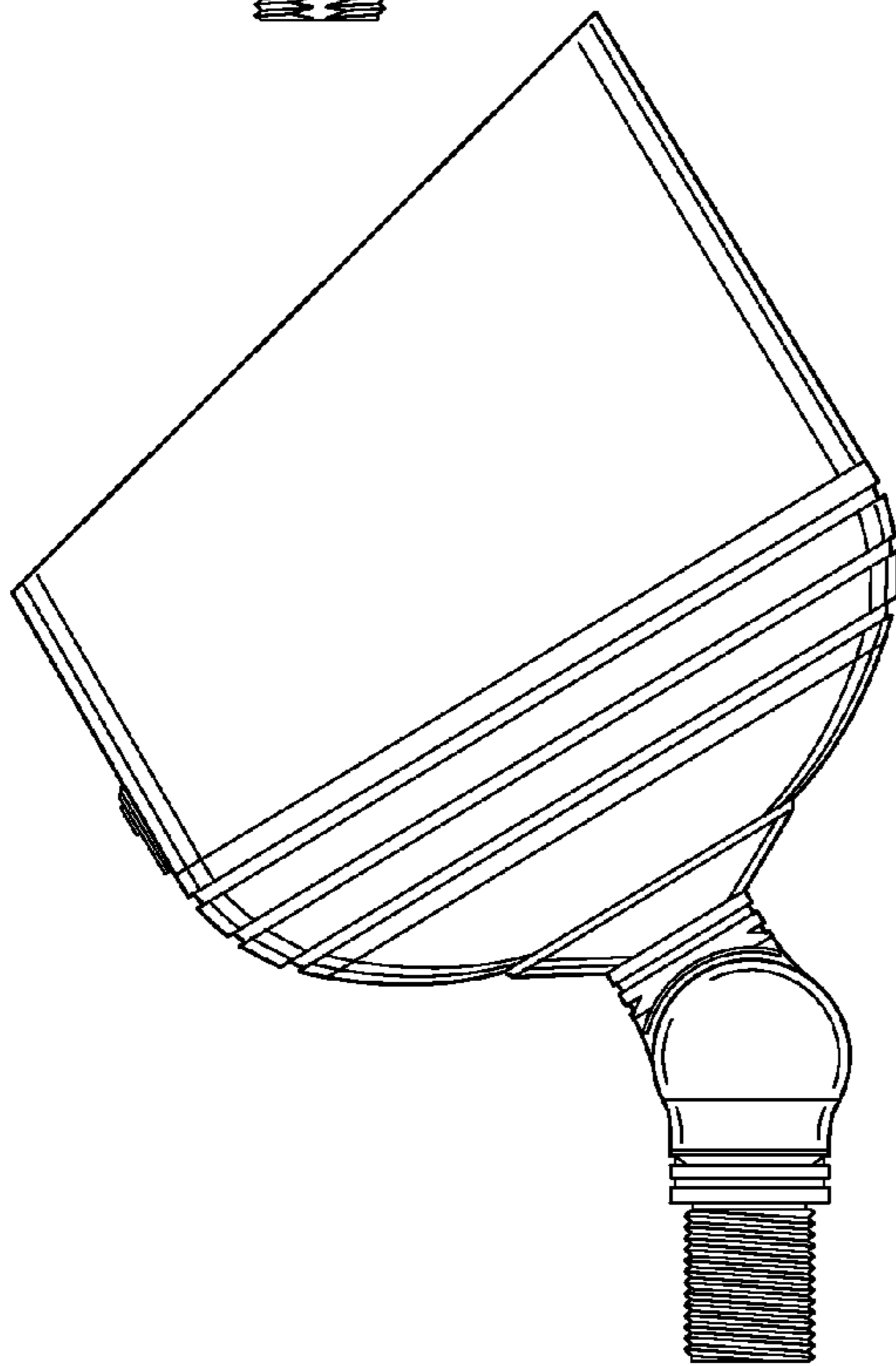


FIG. 6

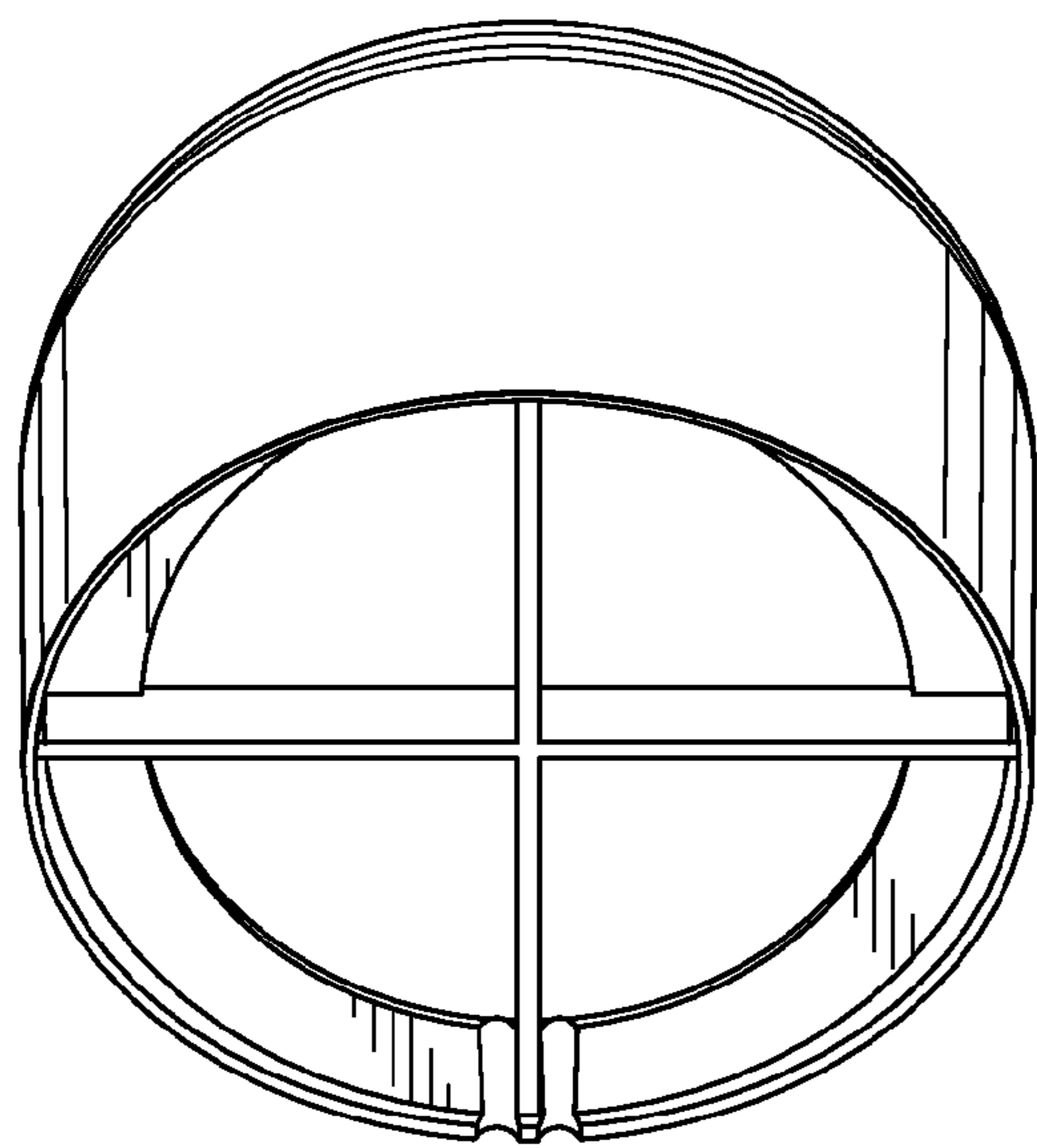


FIG. 7

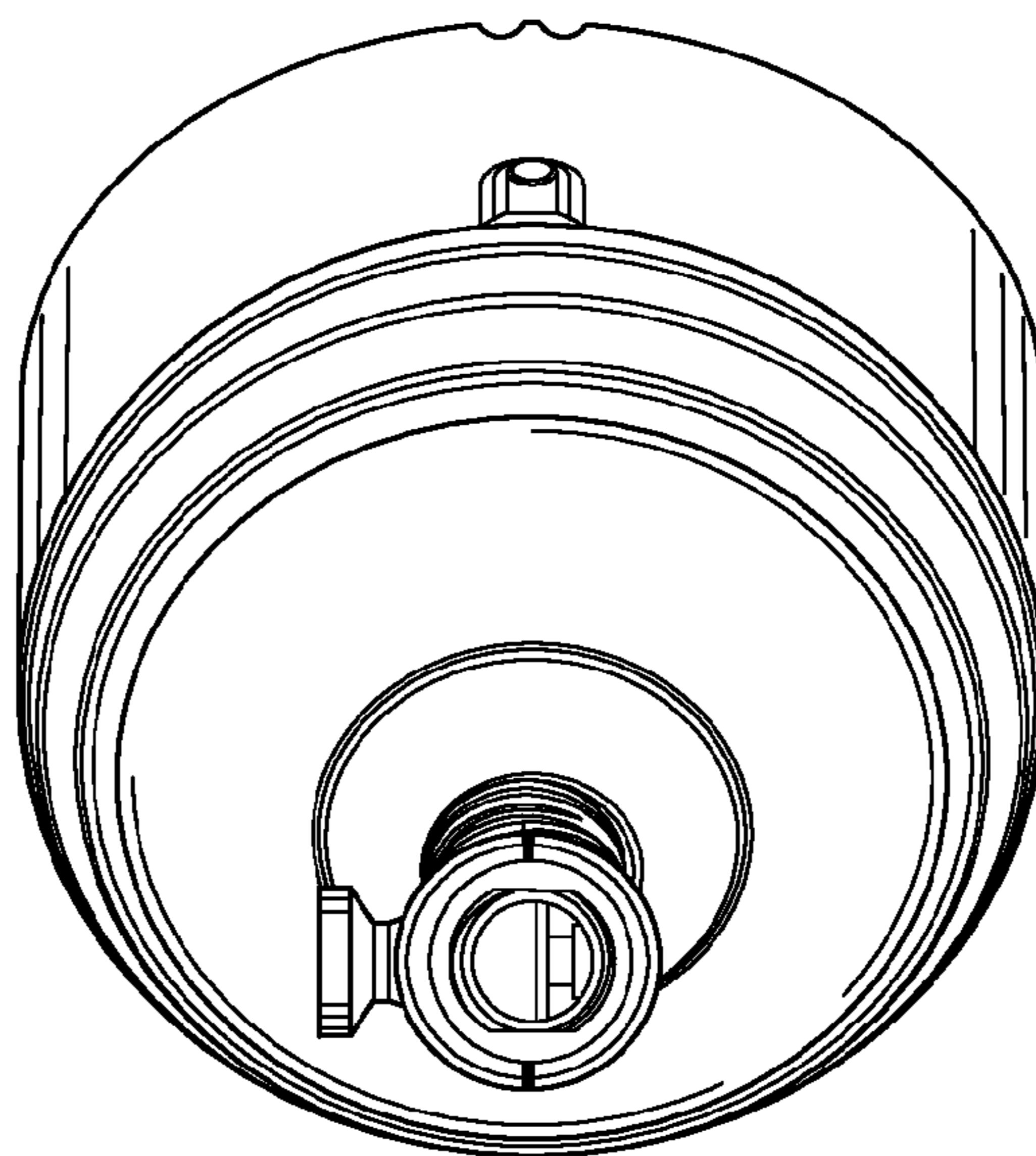


FIG. 8