



US00D590978S

(12) **United States Design Patent**
Wang et al.

(10) **Patent No.:** **US D590,978 S**

(45) **Date of Patent:** **** Apr. 21, 2009**

(54) **BLEACHING LIGHT SYSTEM FOR DENTAL APPLICATIONS**

D538,960 S * 3/2007 Rose et al. D26/63
D545,995 S * 7/2007 Farmer D26/118

(75) Inventors: **Daniel Wang**, Rowland Heights, CA (US); **Bo Tao**, West Covina, CA (US); **Ningyi Fu**, Arcadia, CA (US)

* cited by examiner

Primary Examiner—Clare E Heflin

Assistant Examiner—Barbara Fox

(73) Assignee: **Pac-Dent International, Inc.**, Walnut, CA (US)

(74) *Attorney, Agent, or Firm*—Knobbe, Martens, Olson & Bear, LLP

(**) Term: **14 Years**

(57) **CLAIM**

(21) Appl. No.: **29/297,754**

The ornamental design for a bleaching light system for dental applications, as shown and described.

(22) Filed: **Nov. 16, 2007**

DESCRIPTION

(51) **LOC (9) Cl.** **26-05**

FIG. 1 is a front perspective view of a bleaching light system for dental applications showing the design;

(52) **U.S. Cl.** **D26/63; D24/176; D24/210**

FIG. 2 is a front view thereof;

(58) **Field of Classification Search** D26/60–66,
D26/24, 93; 362/275, 277, 282, 283, 285,
362/287, 413, 418, 427, 573, 804; D24/176,
D24/209, 210; 433/32

FIG. 3 is a rear perspective view thereof;

FIG. 4 is a view thereof from the right side;

See application file for complete search history.

FIG. 5 is a view thereof from the left side;

FIG. 6 is a top view thereof; and,

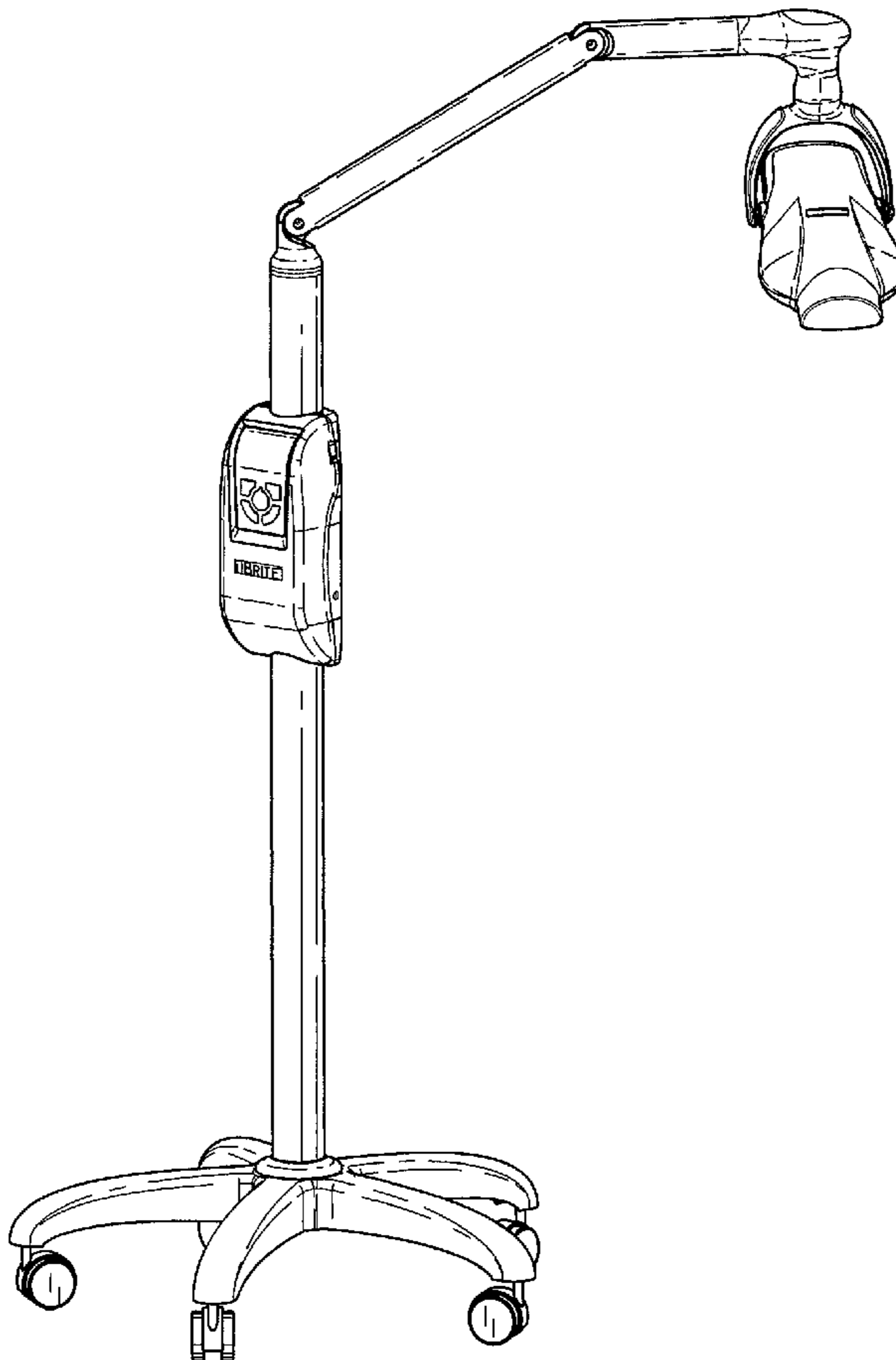
FIG. 7 is a bottom view thereof.

(56) **References Cited**

U.S. PATENT DOCUMENTS

D135,837 S * 6/1943 Vendope D26/64

1 Claim, 4 Drawing Sheets



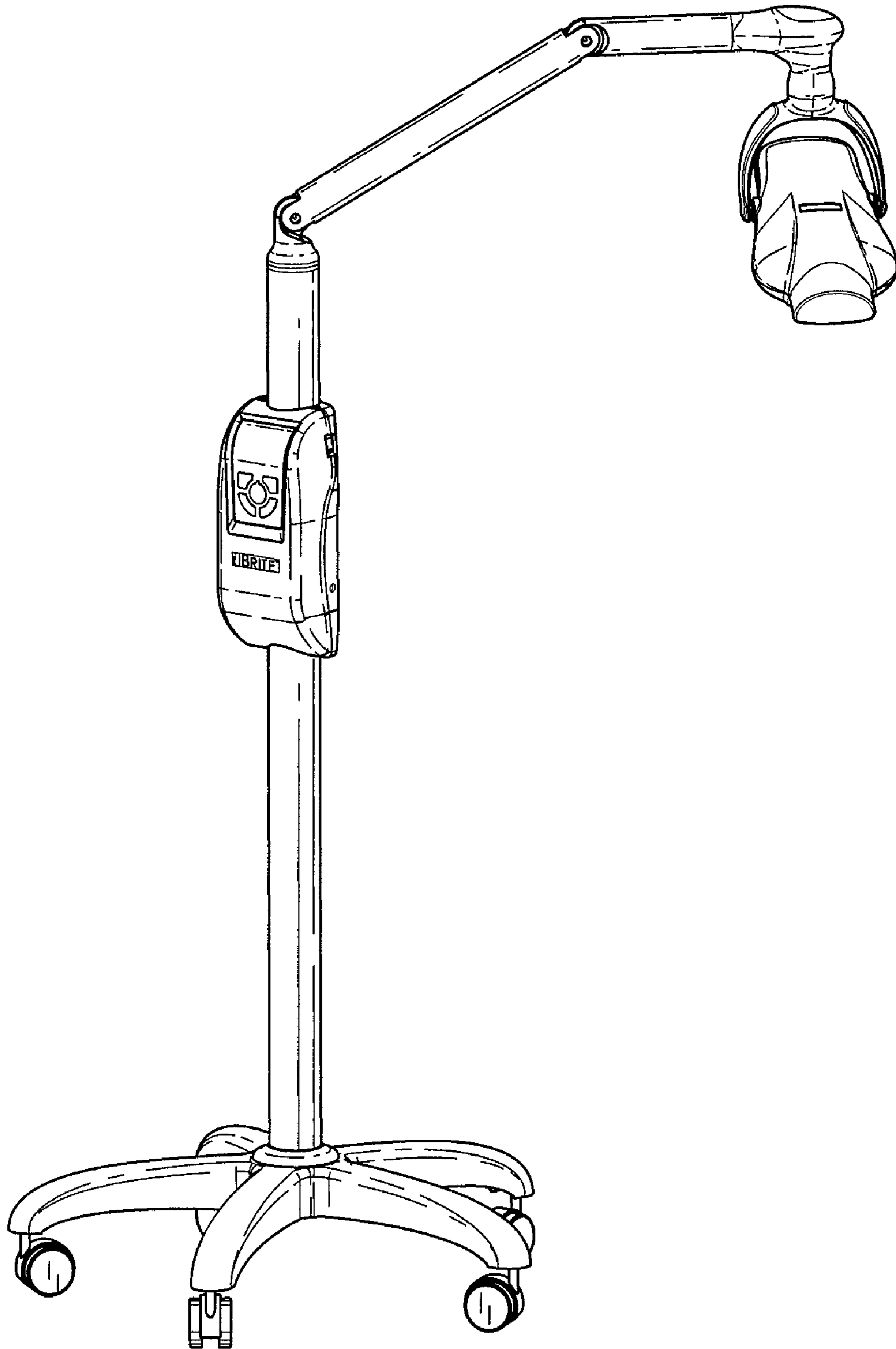


FIG. 1

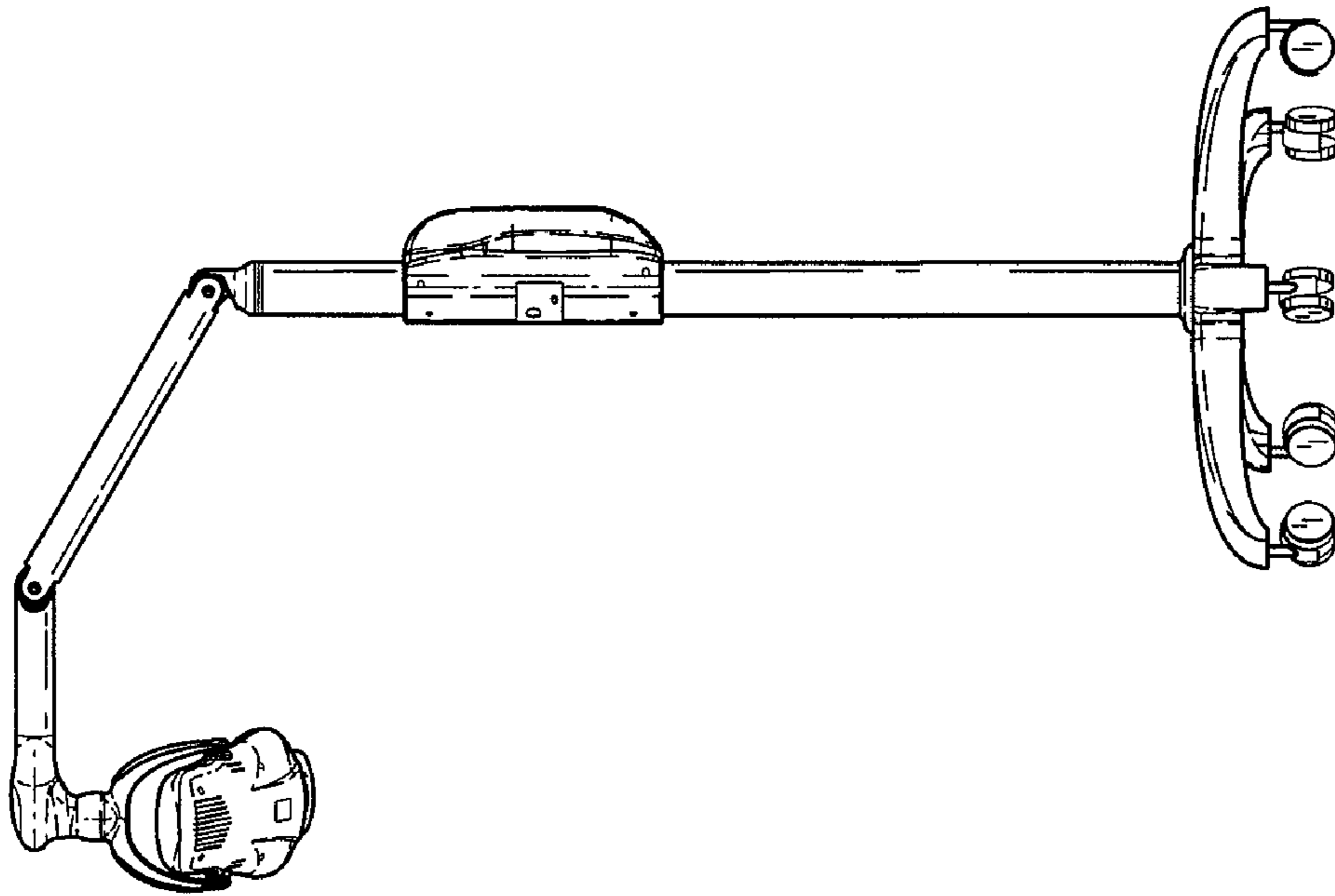


FIG. 3

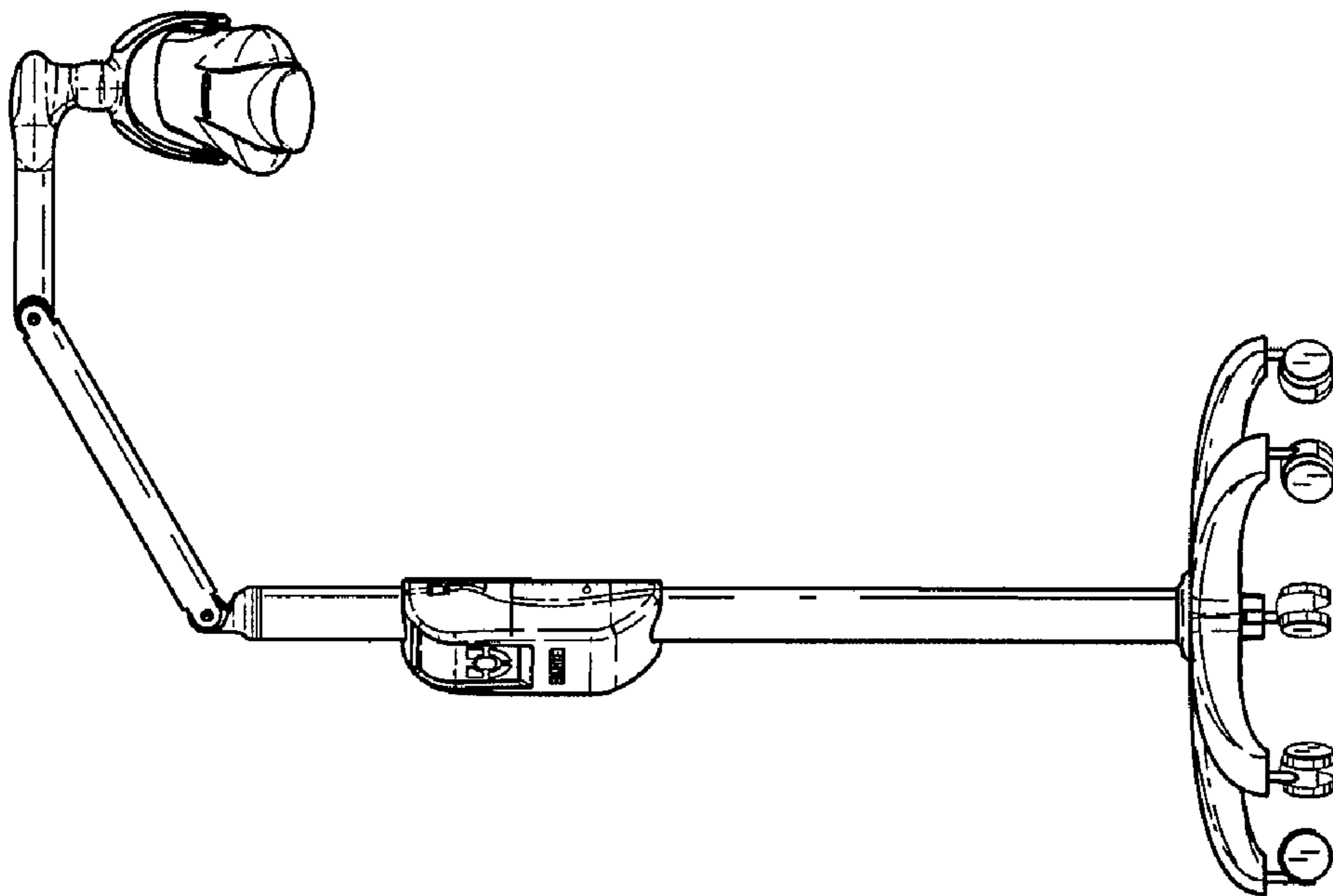


FIG. 2

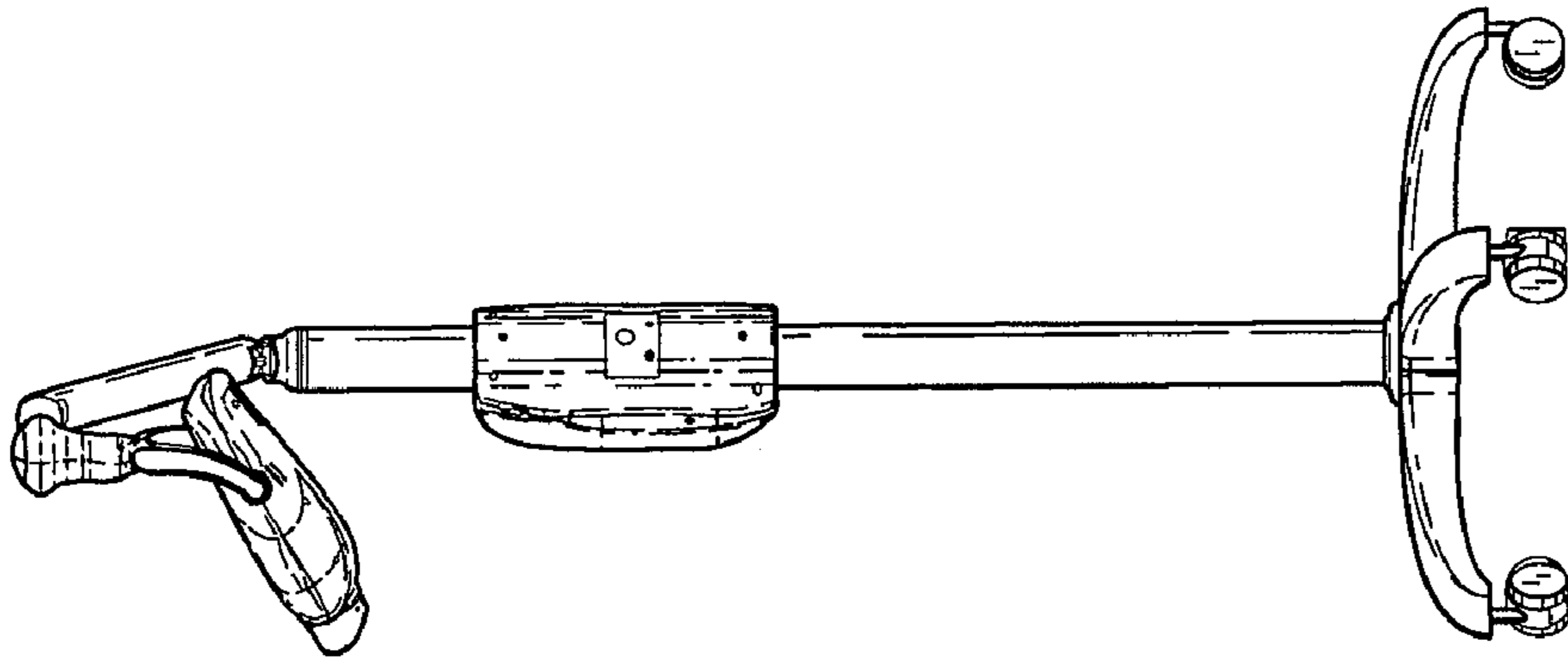


FIG. 5

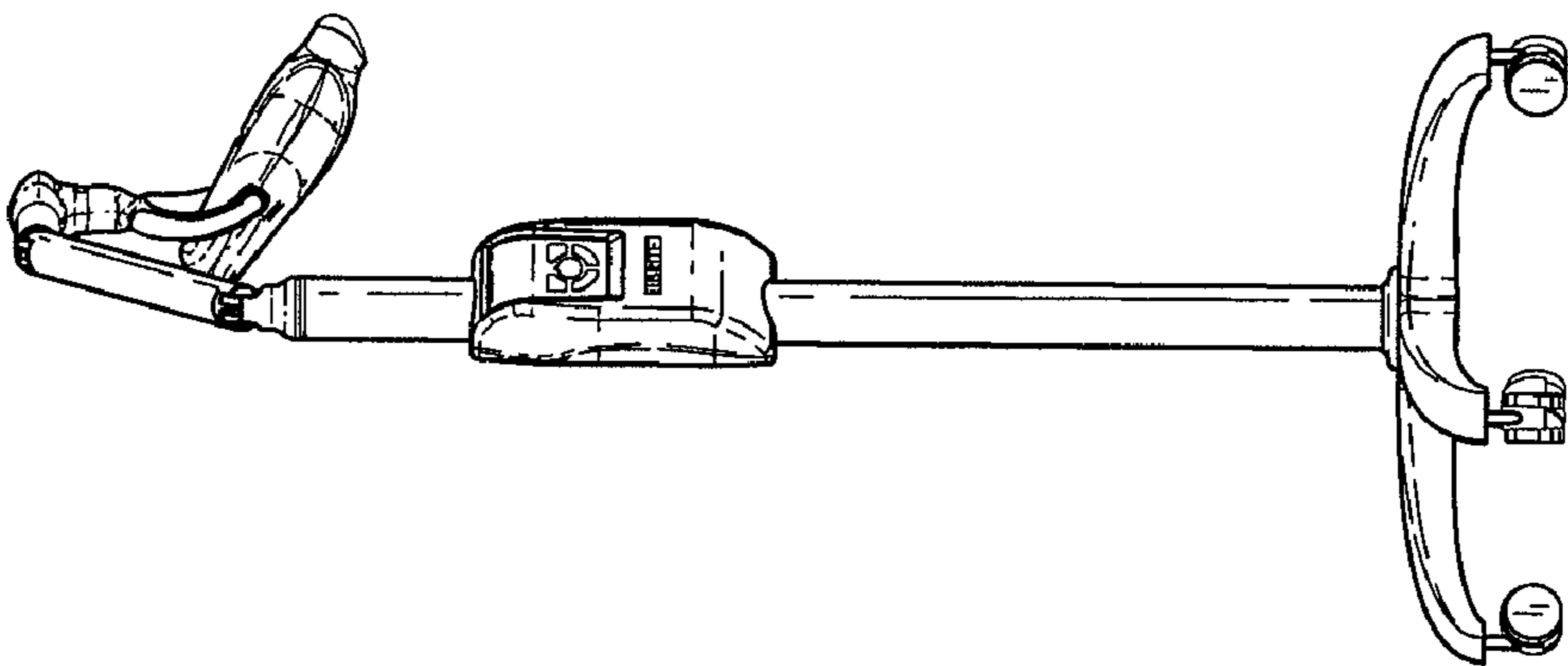


FIG. 4

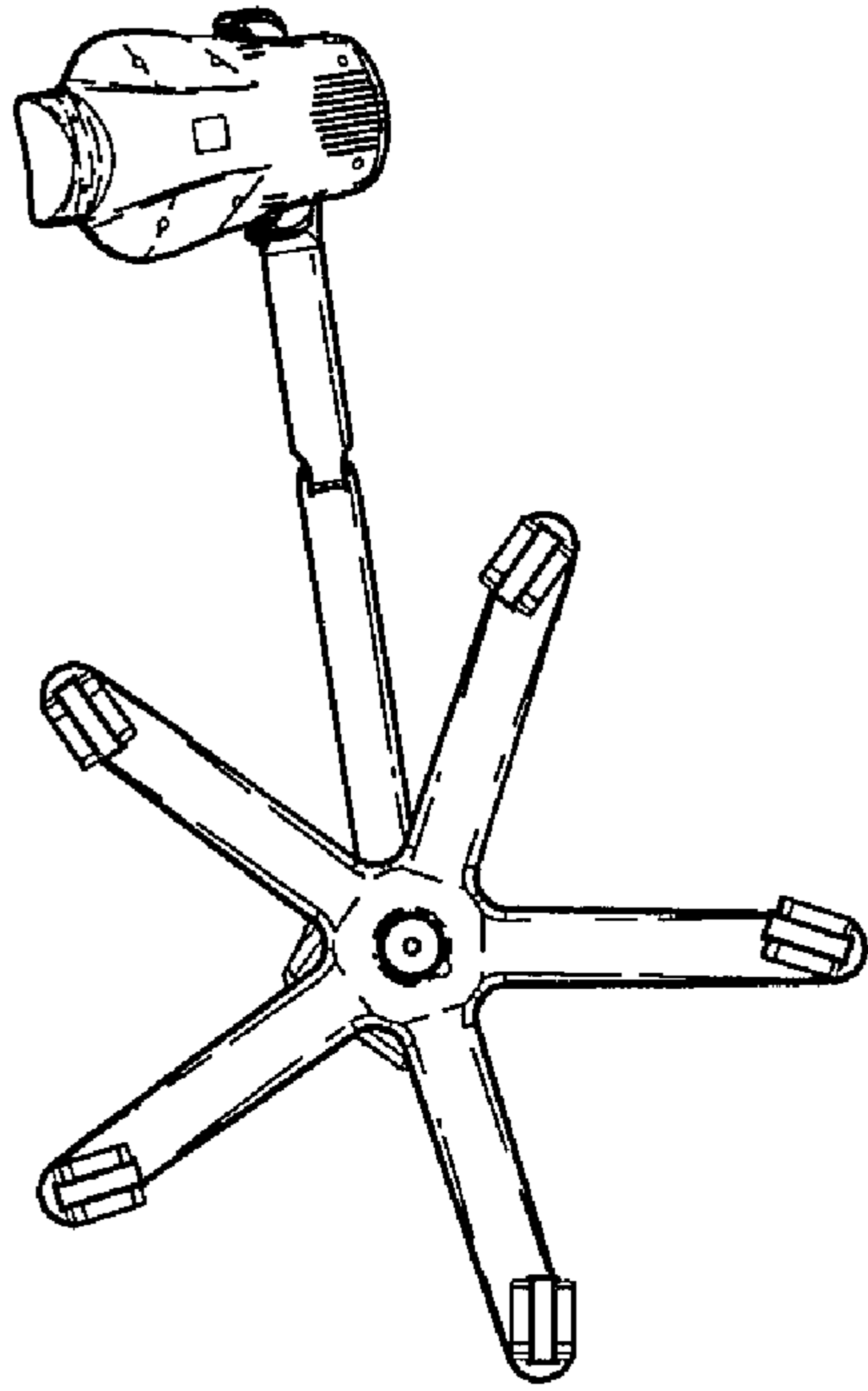


FIG. 7

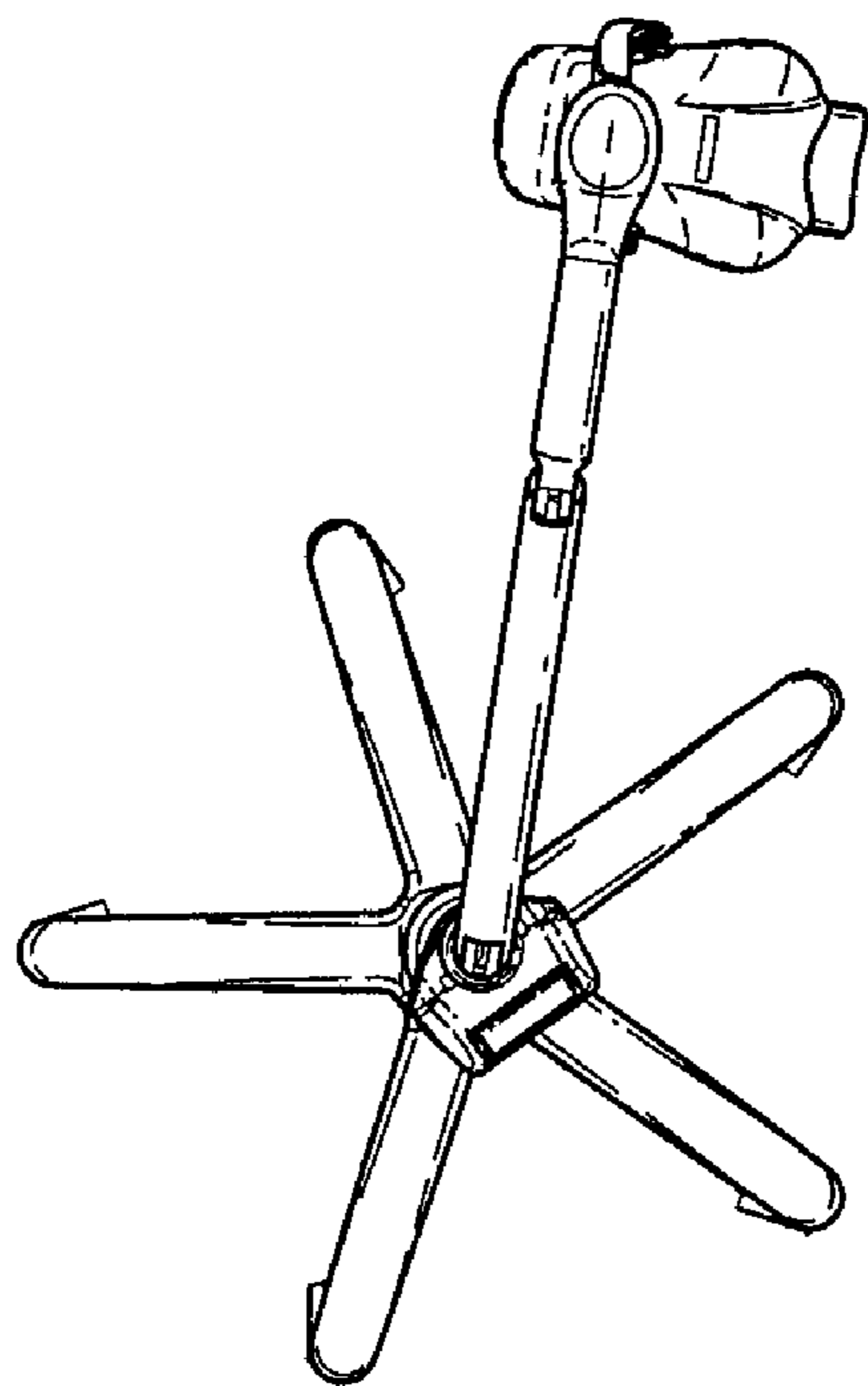


FIG. 6