



US00D590977S

(12) **United States Design Patent**
Mullen

(10) **Patent No.:** **US D590,977 S**

(45) **Date of Patent:** **** Apr. 21, 2009**

(54) **LIGHT FIXTURE**

(76) **Inventor:** **Nate Mullen**, 1240 Simpson Way,
Escondido, CA (US) 92029

(**) **Term:** **14 Years**

(21) **Appl. No.:** **29/322,307**

(22) **Filed:** **Aug. 1, 2008**

(51) **LOC (9) Cl.** **26-05**

(52) **U.S. Cl.** **D26/62; D26/63**

(58) **Field of Classification Search** D26/28,
D26/37, 39, 60-63, 65; 362/98, 99, 109,
362/116, 191, 197, 198, 155, 156, 396, 473-476
See application file for complete search history.

(56) **References Cited**

U.S. PATENT DOCUMENTS

6,267,492	B1 *	7/2001	Reid et al.	362/551
D448,104	S *	9/2001	Weitzman et al.	D26/65
D476,106	S *	6/2003	Kim	D26/62
D542,955	S *	5/2007	Hodgson	D26/60
2004/0100795	A1 *	5/2004	Chao	362/197
2007/0268683	A1 *	11/2007	Zeller et al.	362/98

OTHER PUBLICATIONS

“Flex”—Desk Lamp by Adesso Lighting. Found at lightinguniverse.com Feb. 16, 2009.*

“Venus”—Gooseneck Lamp by Adesso Lighting. Found at lightinguniverse.com Feb. 16, 2009.*

“Zed”—Table Lamp by Lumina. Found at lightinguniverse.com Feb. 16, 2009.*

#P10-007—Piano/Desk Lamp by House of Troy. Found at lightinguniverse.com Feb. 16, 2009.*

* cited by examiner

Primary Examiner—Clare E Heflin

(74) *Attorney, Agent, or Firm*—Kelly Lowry & Kelley, LLP

(57) **CLAIM**

The ornamental design for a light fixture, as shown.

DESCRIPTION

FIG. 1 is a rear perspective view of a light fixture embodying my new design;

FIG. 2 is a front perspective view of a light fixture embodying my new design;

FIG. 3 is a front view of a light fixture embodying my new design;

FIG. 4 is a rear view of a light fixture embodying my new design;

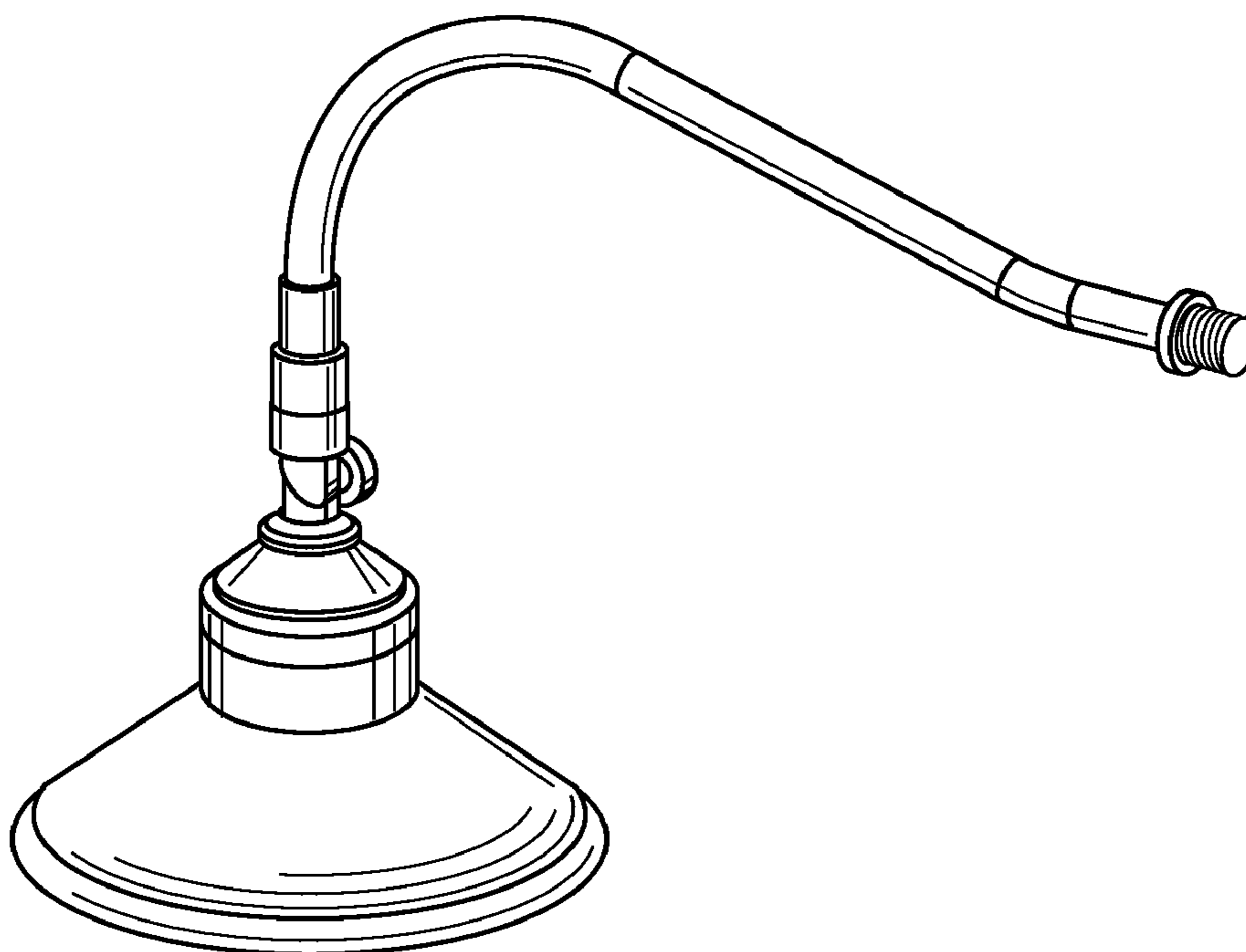
FIG. 5 is a right side view of a light fixture embodying my new design;

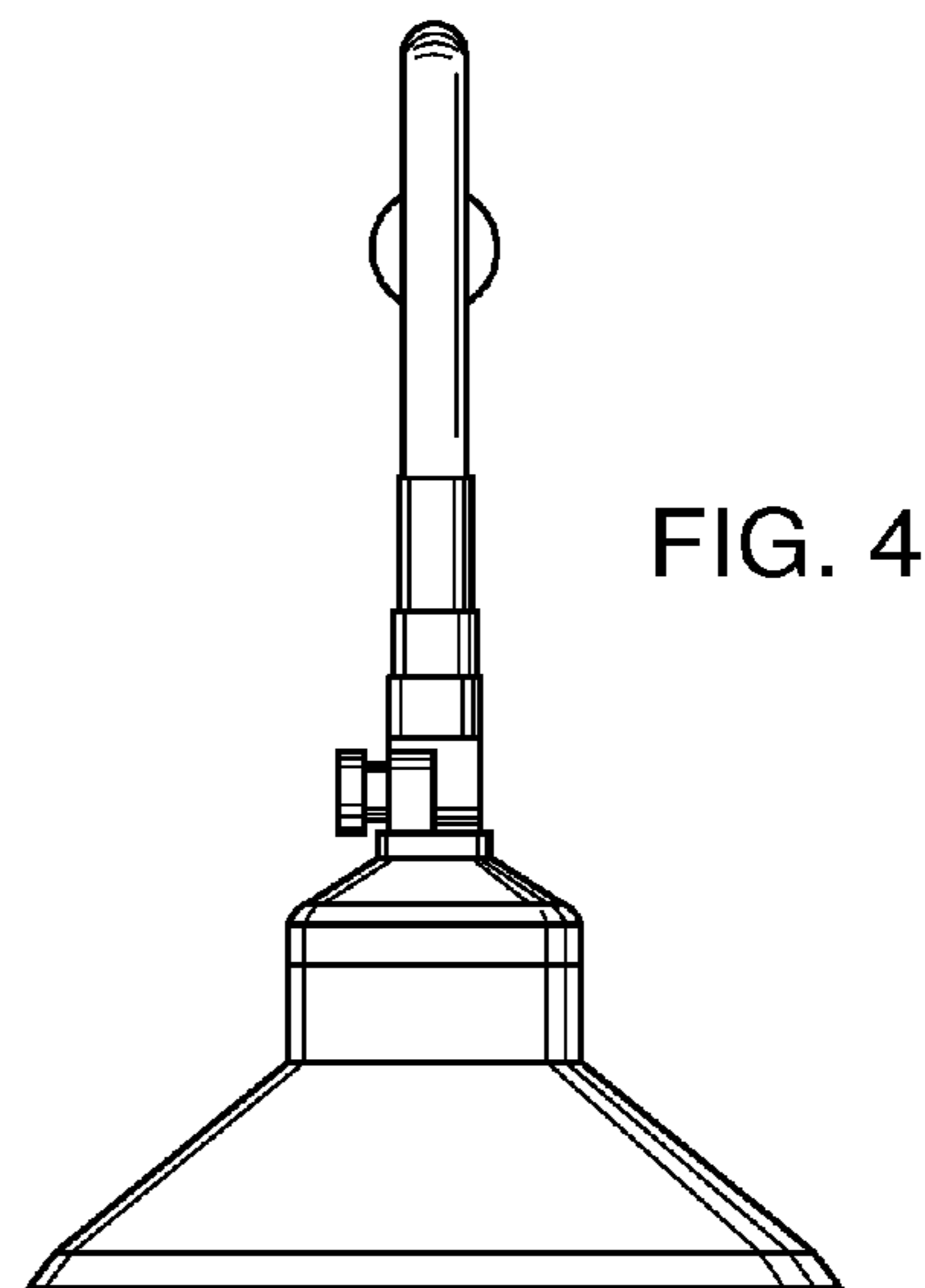
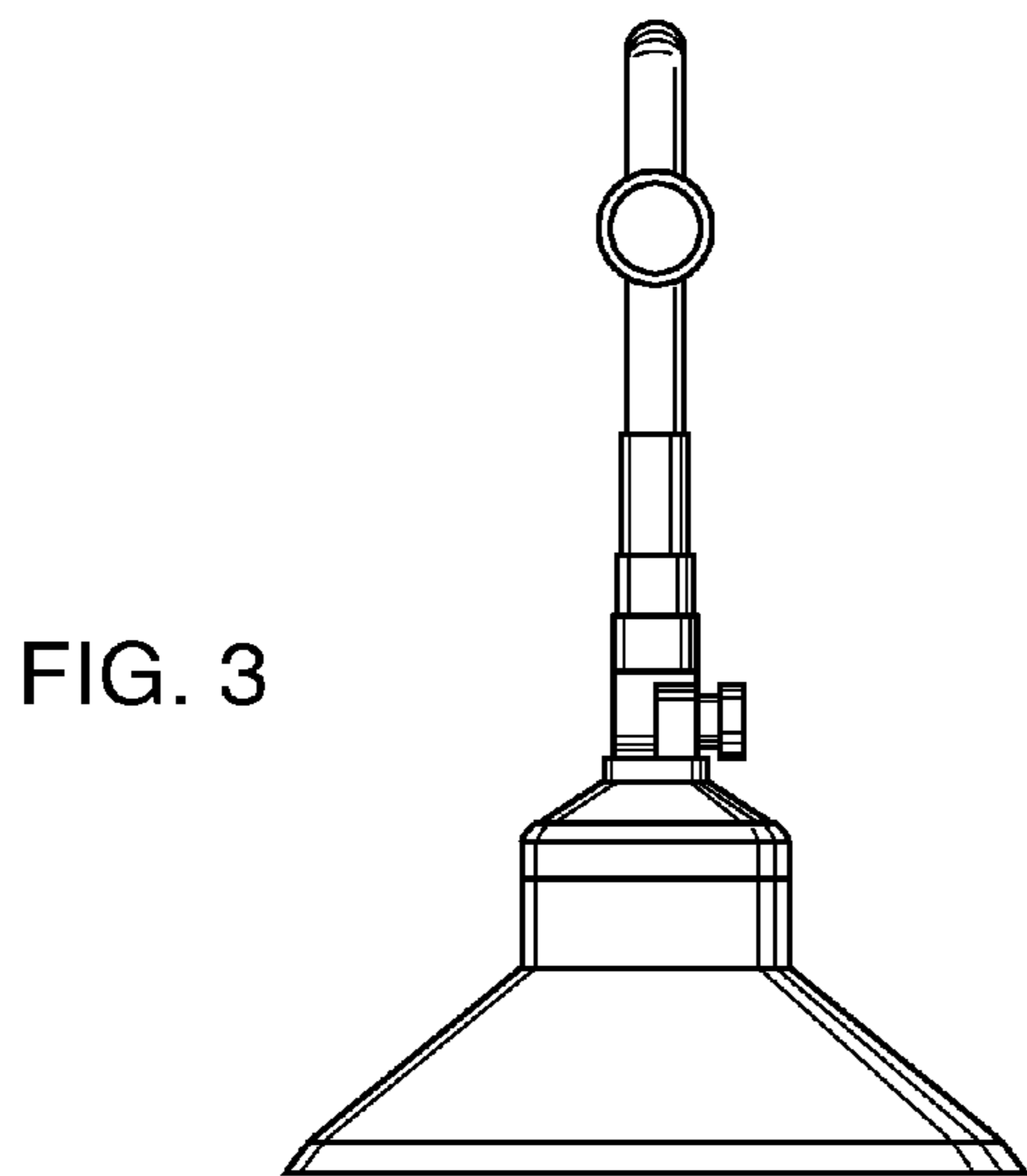
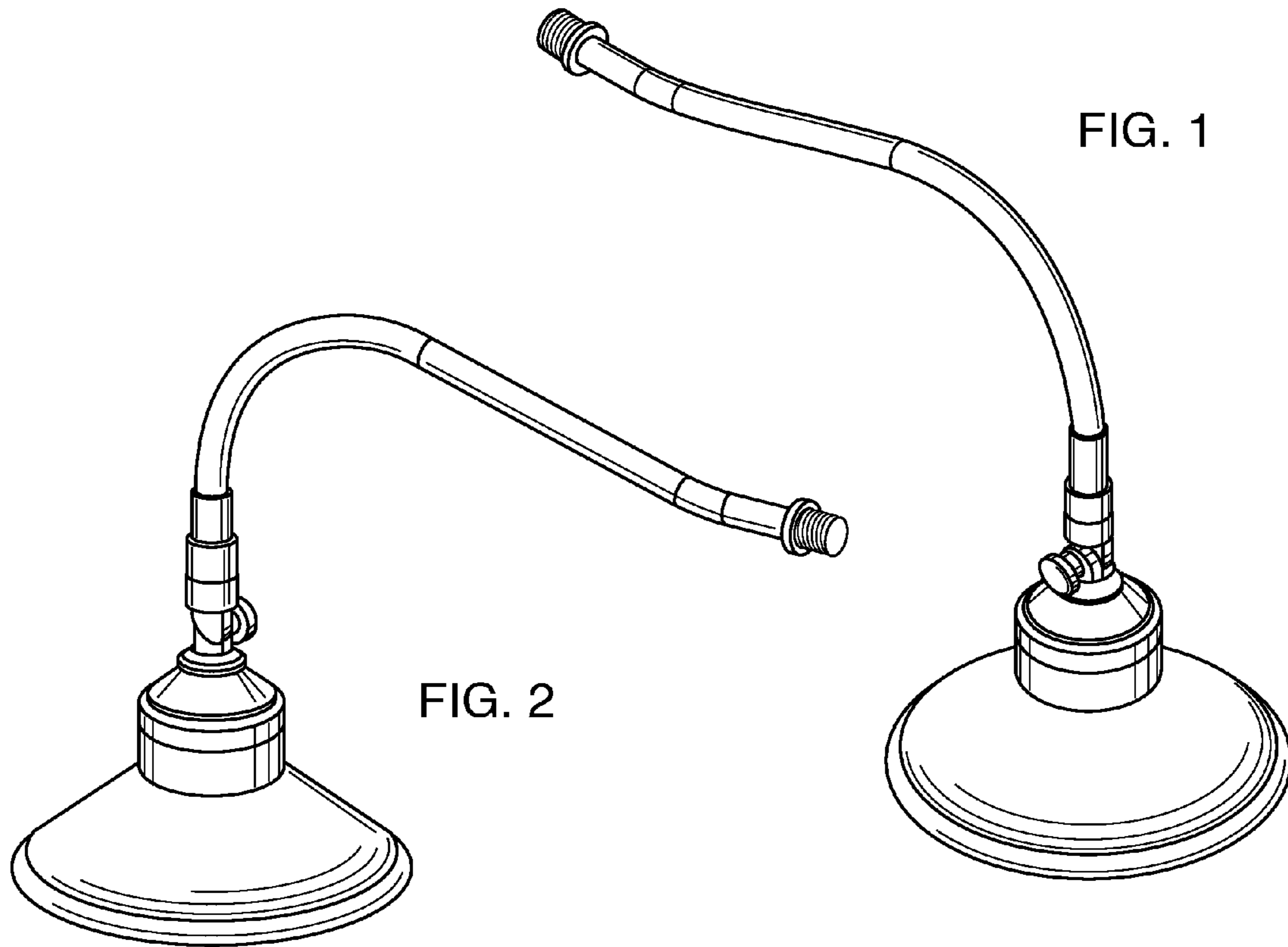
FIG. 6 is a left side view of a light fixture embodying my new design;

FIG. 7 is a top view of a light fixture embodying my new design; and,

FIG. 8 is a bottom view of a light fixture embodying my new design.

1 Claim, 2 Drawing Sheets





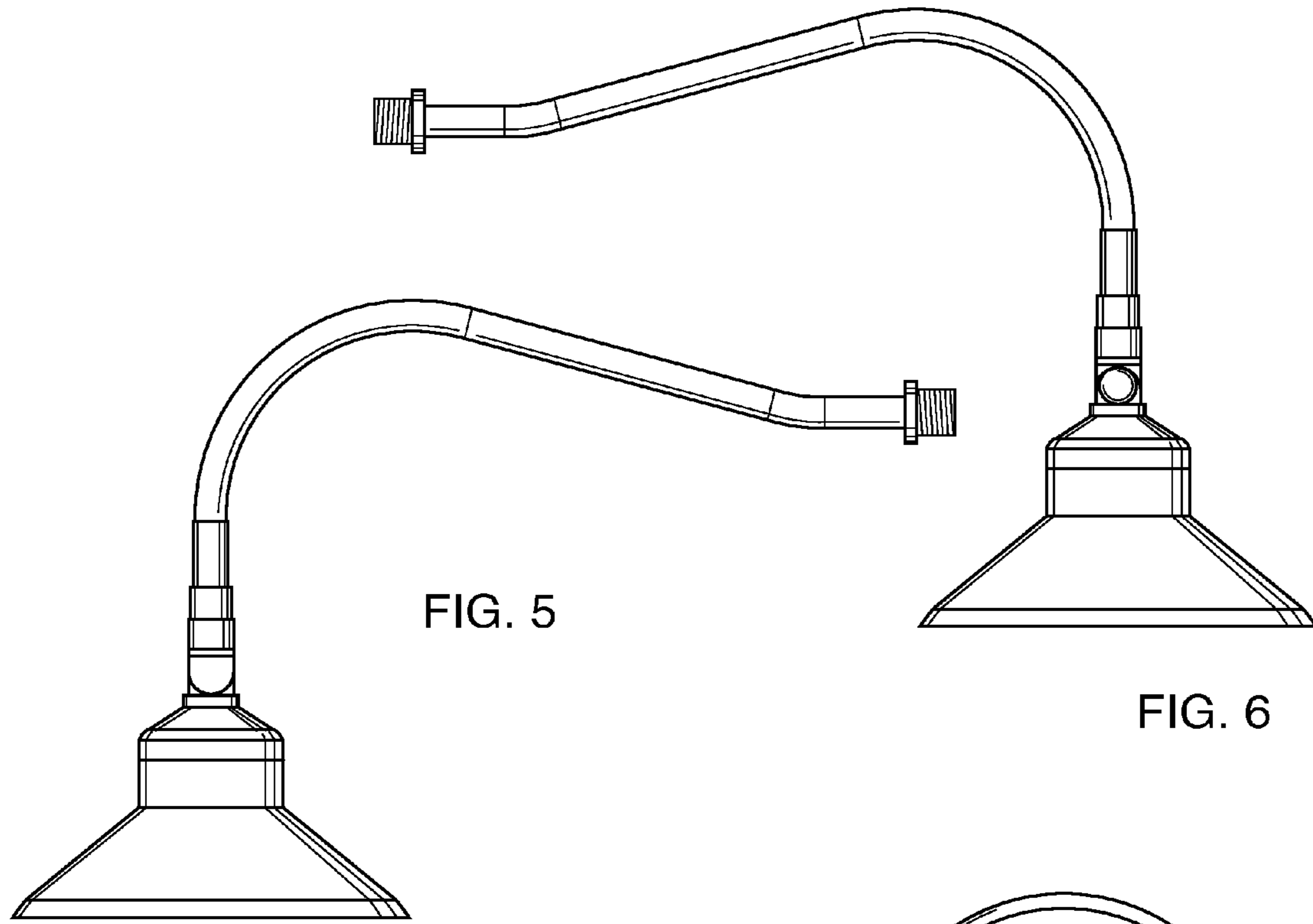


FIG. 5

FIG. 6

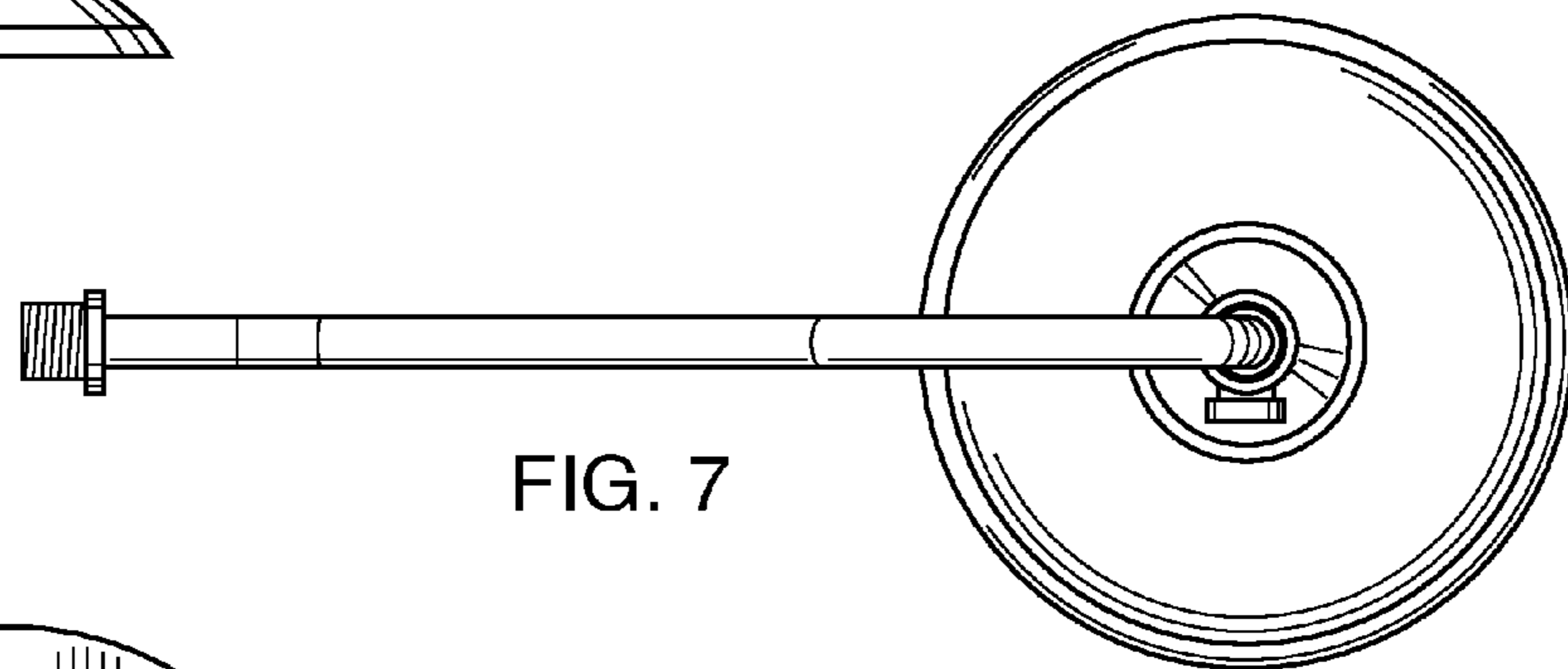


FIG. 7

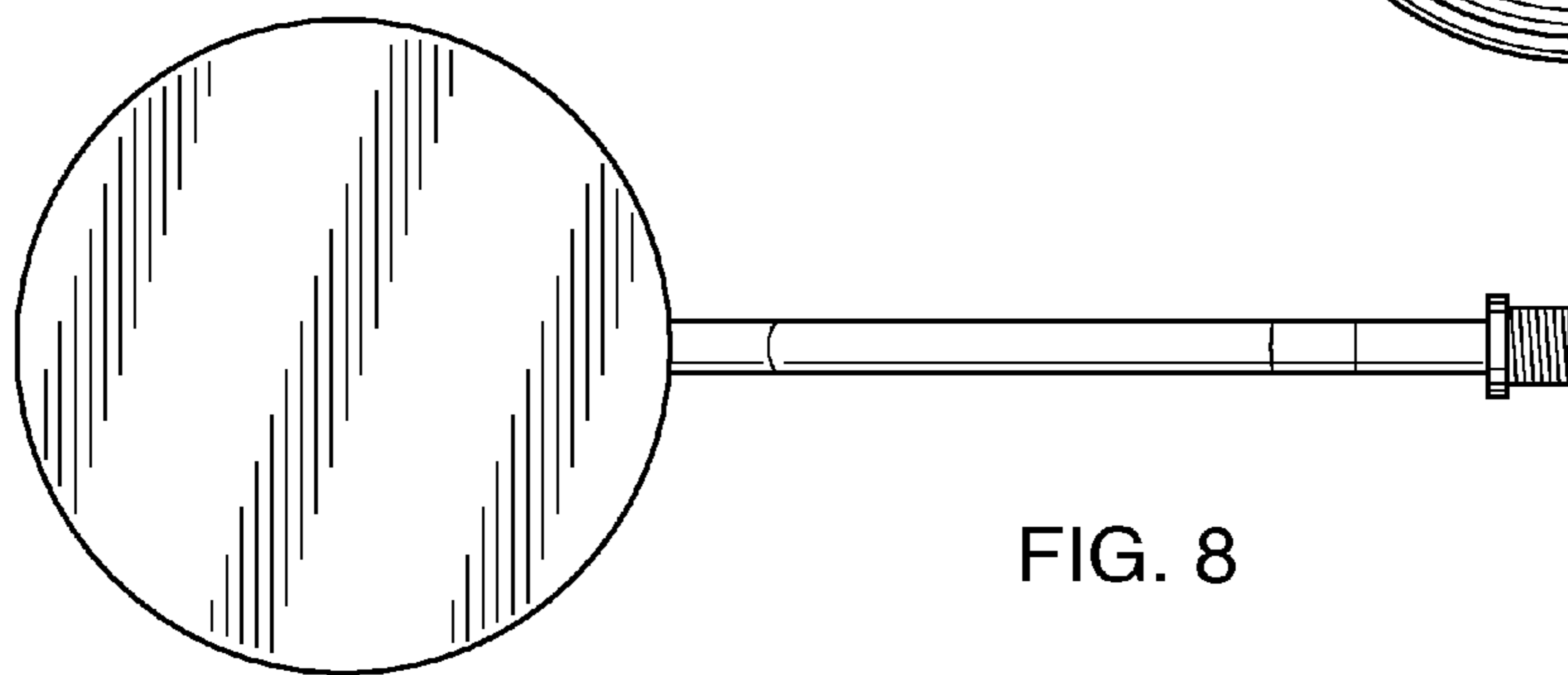


FIG. 8