



US00D590976S

(12) **United States Design Patent**
Levine

(10) **Patent No.:** **US D590,976 S**
(45) **Date of Patent:** **** Apr. 21, 2009**

(54) **LIGHTING DEVICE**

2007/0097689 A1 5/2007 Barausky et al.

(76) **Inventor:** **Jonathan E. Levine**, 419 Park Ave.,
South, Suite 505, New York, NY (US)
10016

OTHER PUBLICATIONS

Contemporary LED Compact Desk Lamp. Found at desk lamps.com Feb. 16, 2009.*
#5157—Flex Desk Lamp by Adesso Lighting. Found at lightinguniverse.com Feb. 16, 2009.*
#5030—Eternity Desk Lamp by Adesso Lighting. Found at Lightninguniverse.com Feb. 16, 2009.*
#U33200—Professional Artists’ Lamp by Daylight Company. Found at lightinguniverse.com Feb. 16, 2009.*
“Ergo Modern Desk Lamp,” <http://www.ergoindemand.com/modern-desk-lamps.htm>, visited Aug. 17, 2008, 2 pages.

(**) **Term:** **14 Years**

* cited by examiner

(21) **Appl. No.:** **29/327,577**

(22) **Filed:** **Nov. 7, 2008**

(51) **LOC (9) Cl.** **26-05**
(52) **U.S. Cl.** **D26/60; D26/62**
(58) **Field of Classification Search** D26/28,
D26/37, 39, 60–63, 65; 362/98, 99, 109,
362/116, 191, 197, 198, 155, 156, 396, 473–476
See application file for complete search history.

Primary Examiner—Clare E Heflin
(74) *Attorney, Agent, or Firm*—Theodore W. Baker

(56) **References Cited**

(57) **CLAIM**

U.S. PATENT DOCUMENTS

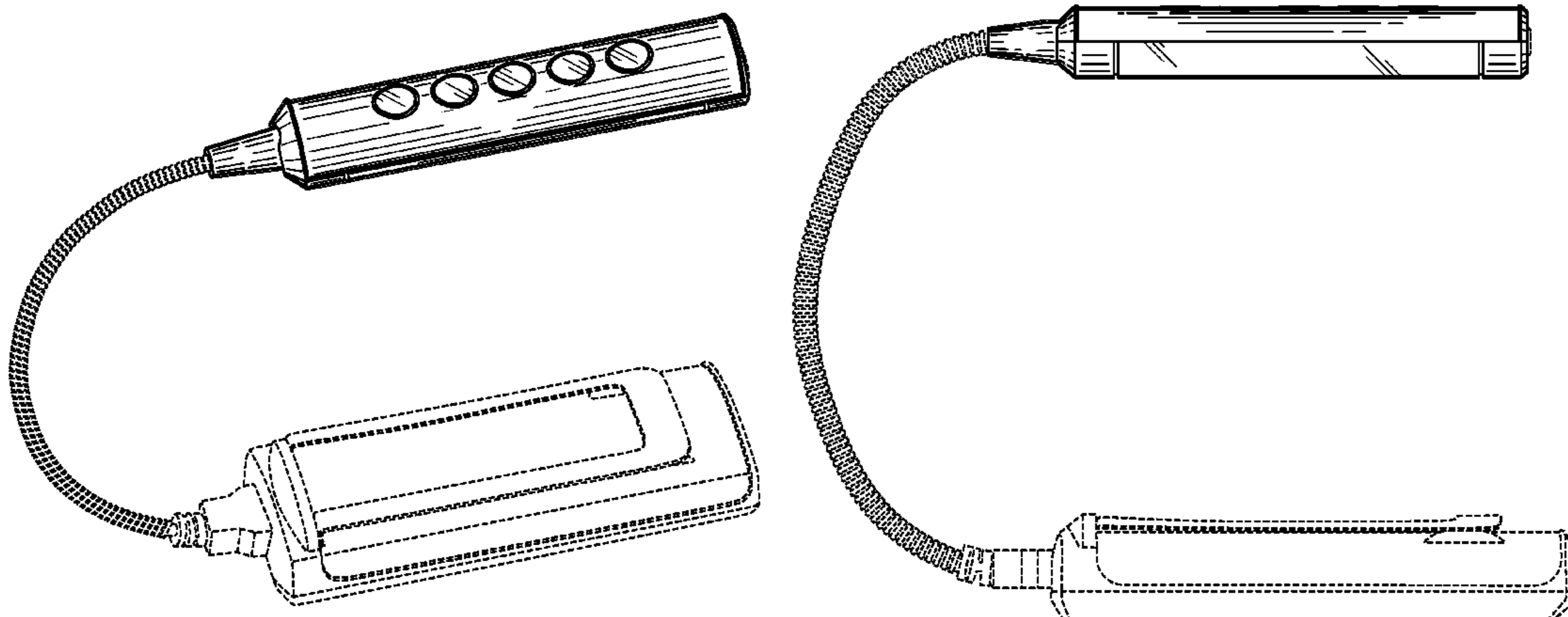
I claim the ornamental design for a lighting device, as shown and described.

D283,645 S	4/1986	Tanaka	
D300,876 S	4/1989	Sakai	
D322,681 S *	12/1991	Yuen	D26/60
D350,620 S	9/1994	Yuen	
D357,990 S *	5/1995	Cheng et al.	D26/37
D392,760 S *	3/1998	Wu	D26/62
D408,568 S *	4/1999	Schaak	D26/62
D446,877 S	8/2001	Lester	
D448,104 S *	9/2001	Weitzman et al.	D26/65
6,406,161 B1	6/2002	Lin et al.	
D476,106 S	6/2003	Kim	
6,619,813 B1	9/2003	Schnell	
D522,678 S	6/2006	Wang	
D522,679 S *	6/2006	Hodgson	D26/60
D525,381 S	7/2006	Hodgson	
D542,455 S	5/2007	Newcomb	
D560,014 S	1/2008	Lammel et al.	
D563,014 S	2/2008	Levine	
D564,118 S	3/2008	Wu	
D575,890 S *	8/2008	Montalbano et al.	D26/62
D581,077 S	11/2008	Levine	
D581,569 S *	11/2008	Levine	D26/61
D581,570 S	11/2008	Levine	
2002/0145876 A1 *	10/2002	Juang	362/378
2005/0007778 A1	1/2005	Lin	

DESCRIPTION

FIG. 1 is a perspective view of a lighting device showing my new design, as viewed from the top and one side.
FIG. 2 is a top plan view of the lighting device of FIG. 1.
FIG. 3 is a first side elevation view of the lighting device of FIG. 1.
FIG. 4 is a bottom plan view of the lighting device of FIG. 1.
FIG. 5 is a back elevation view of the lighting device of FIG. 1.
FIG. 6 is a second side elevation view of the lighting device of FIG. 1.
FIG. 7 is a front elevation view of the lighting device of FIG. 1; and,
FIG. 8 is a first side elevation view of the lighting device of FIG. 1 with the light head twisted.
The details shown in broken lines illustrate portions of the lighting device that form no part of the claimed design.

1 Claim, 4 Drawing Sheets



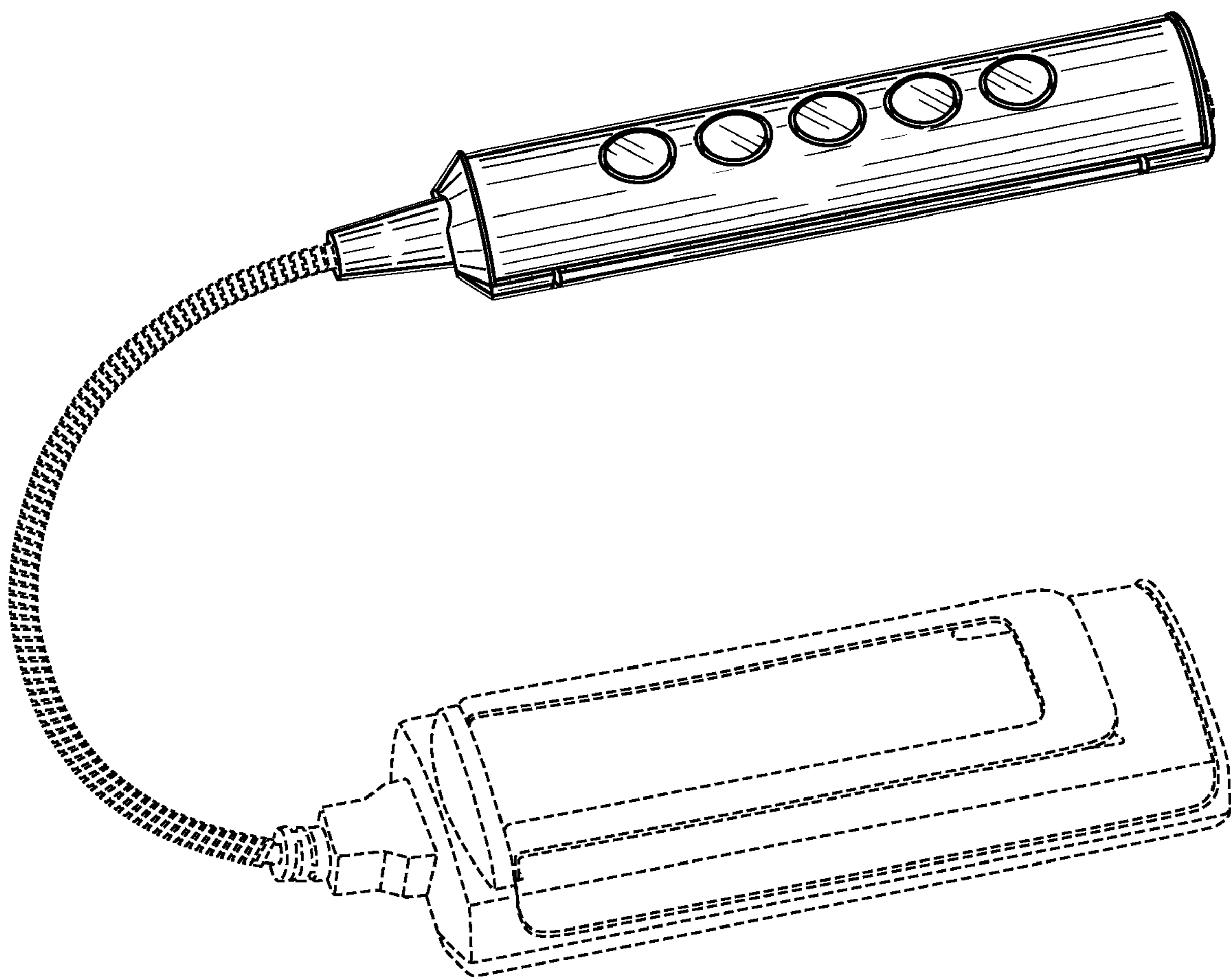


FIG. 1

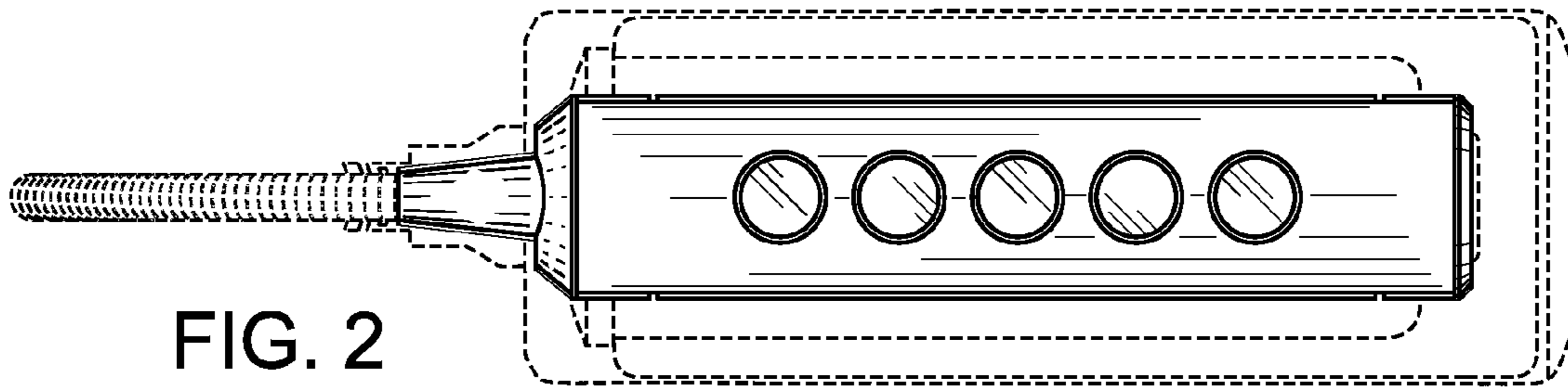


FIG. 2

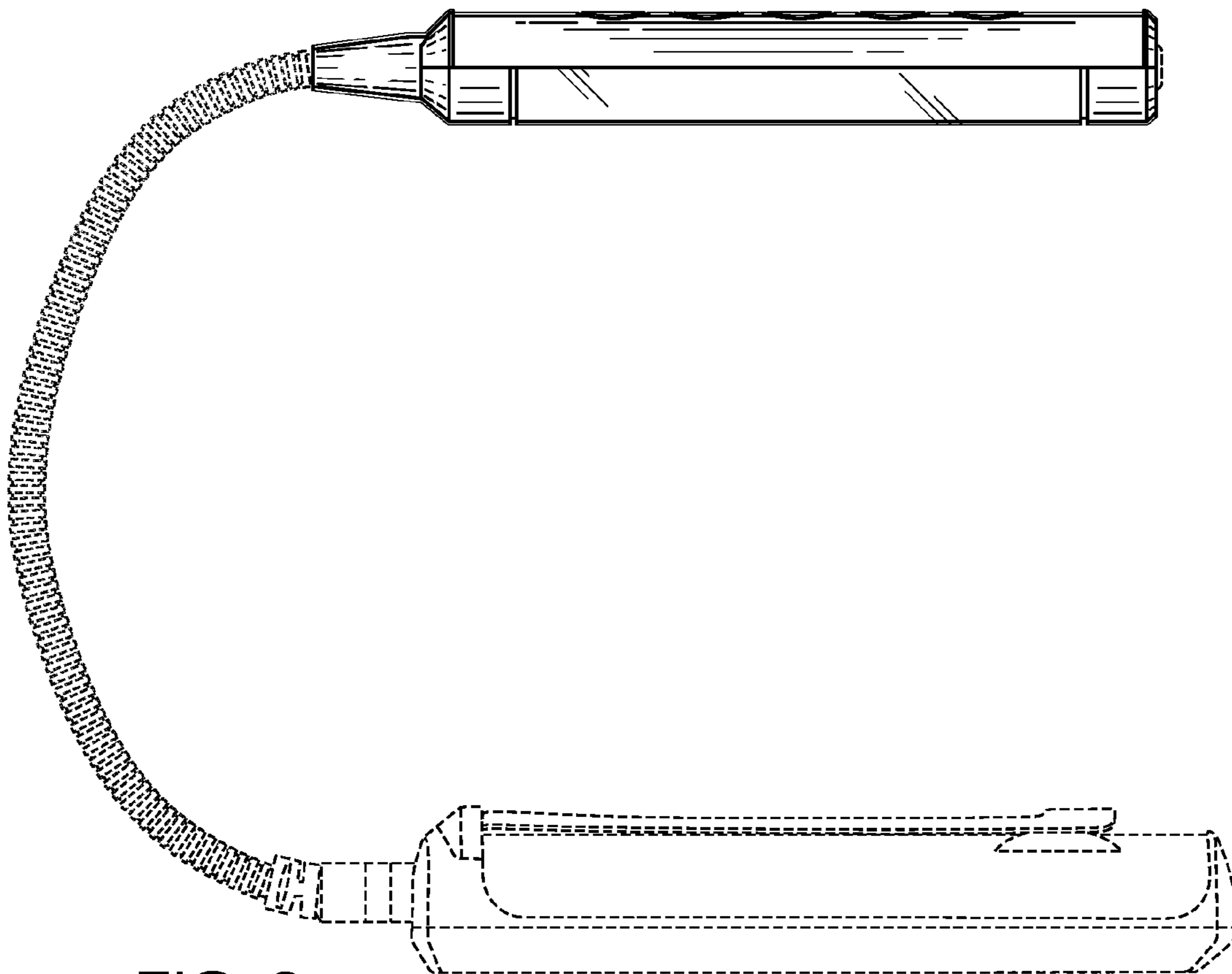


FIG. 3

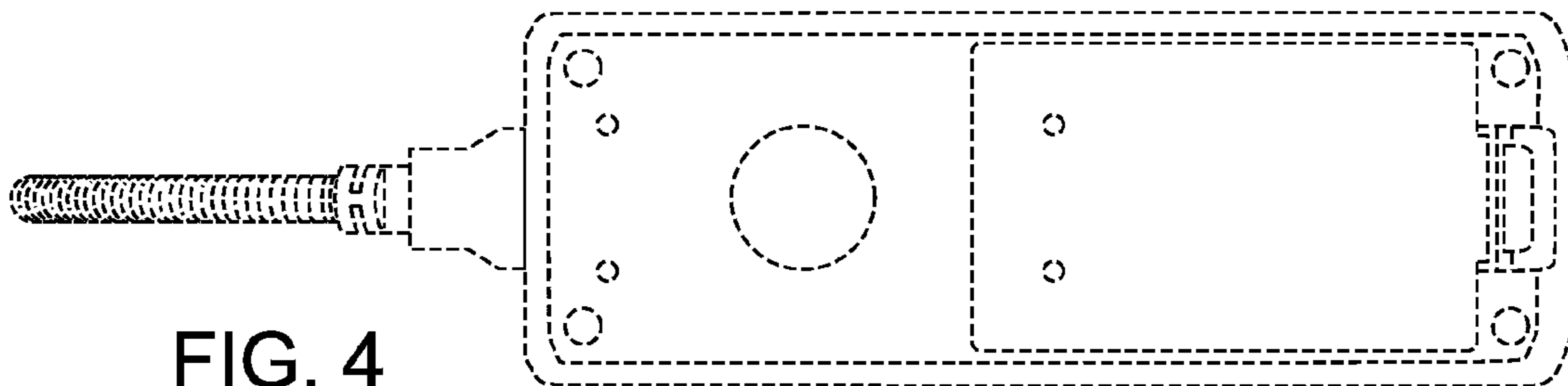


FIG. 4

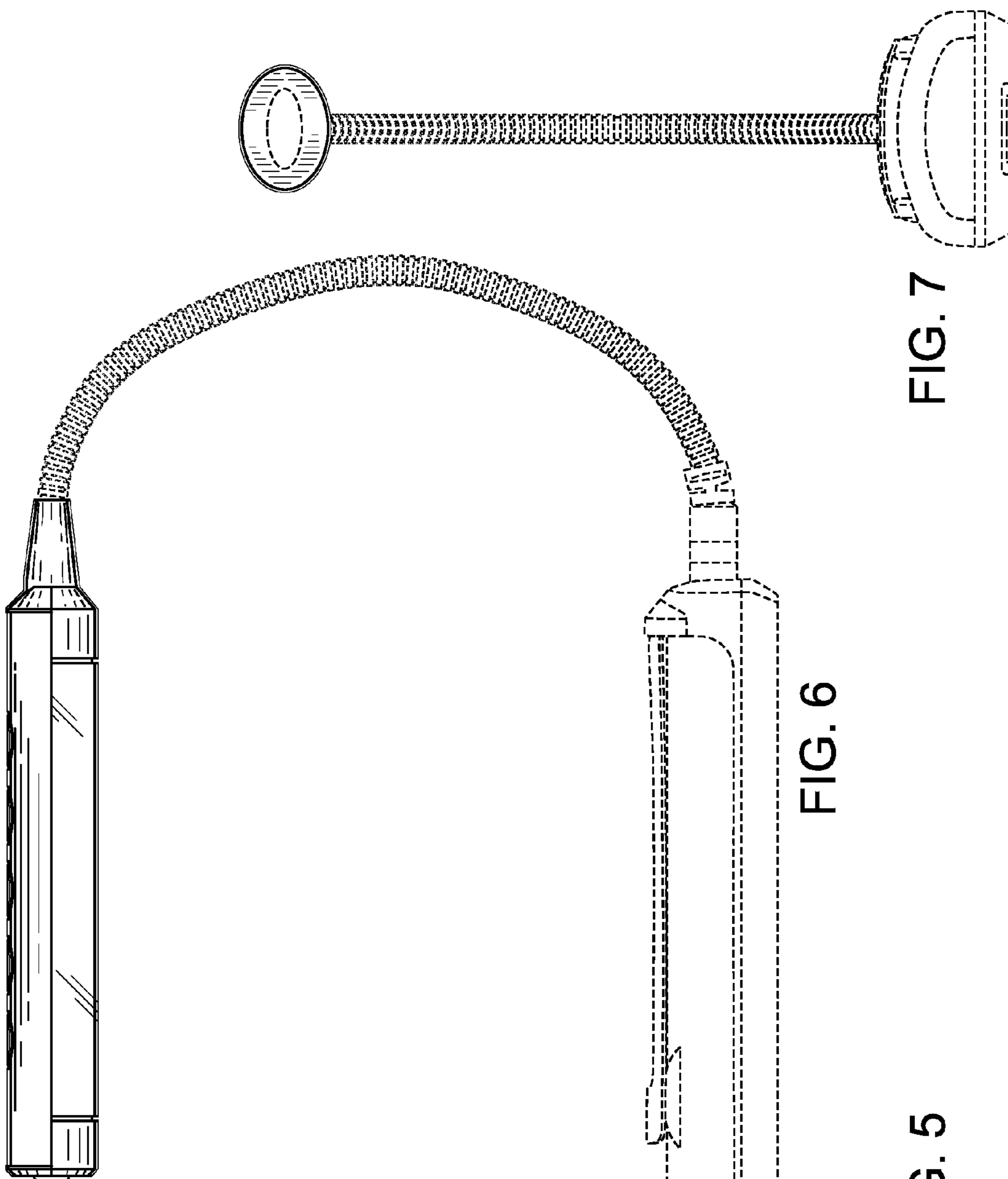


FIG. 6

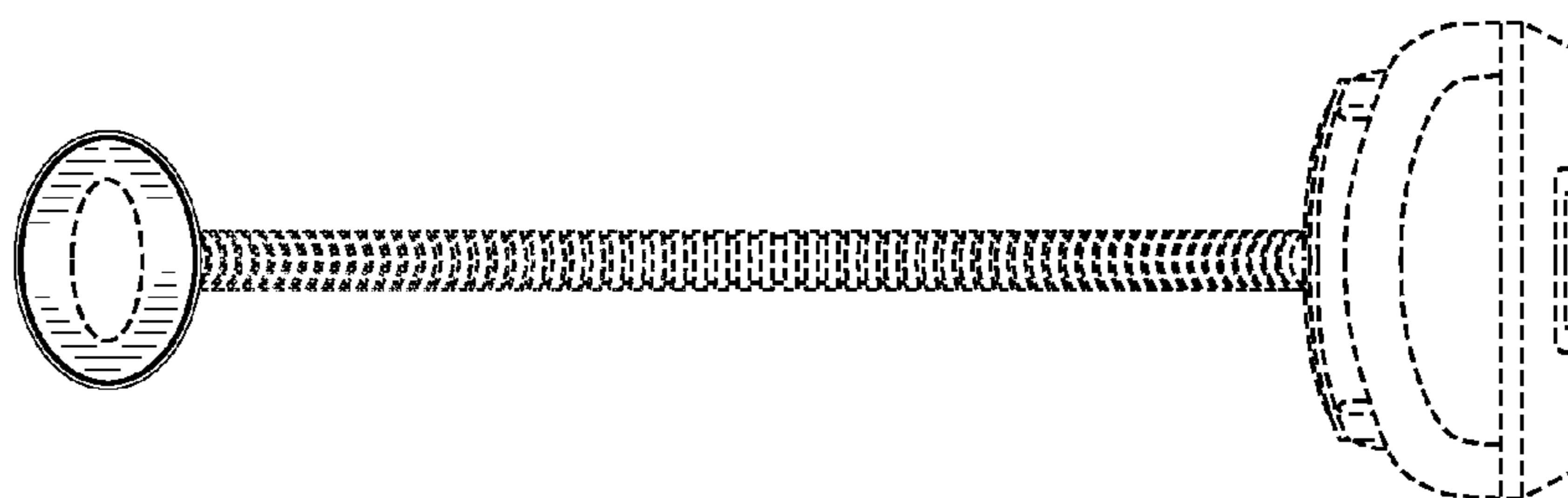


FIG. 7

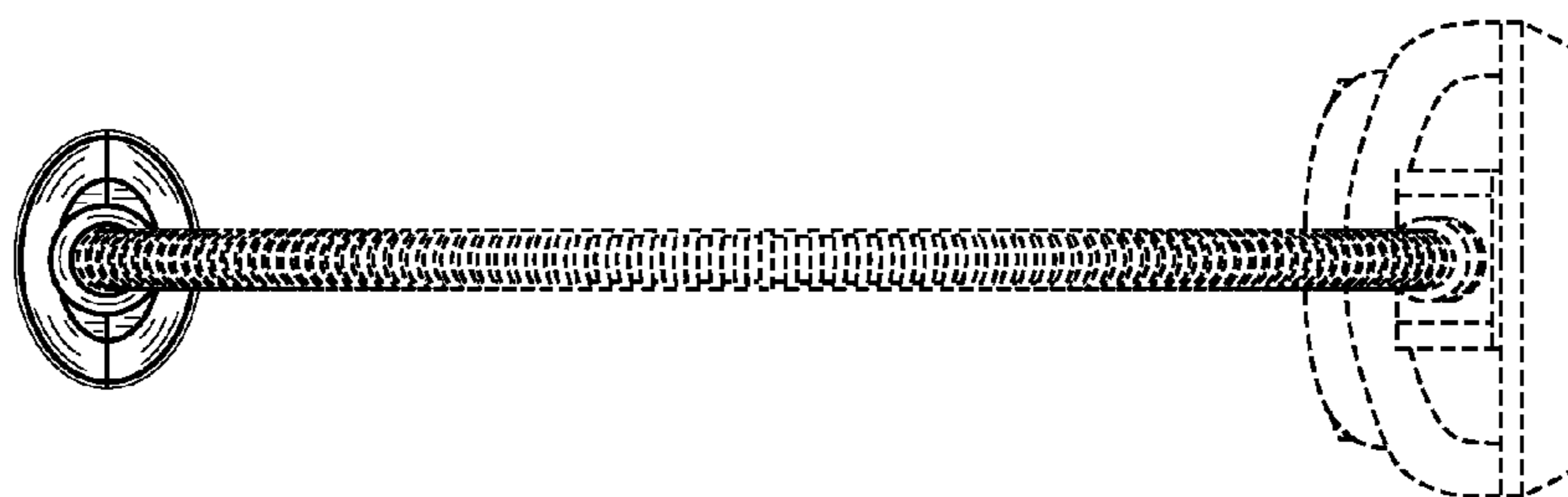


FIG. 5

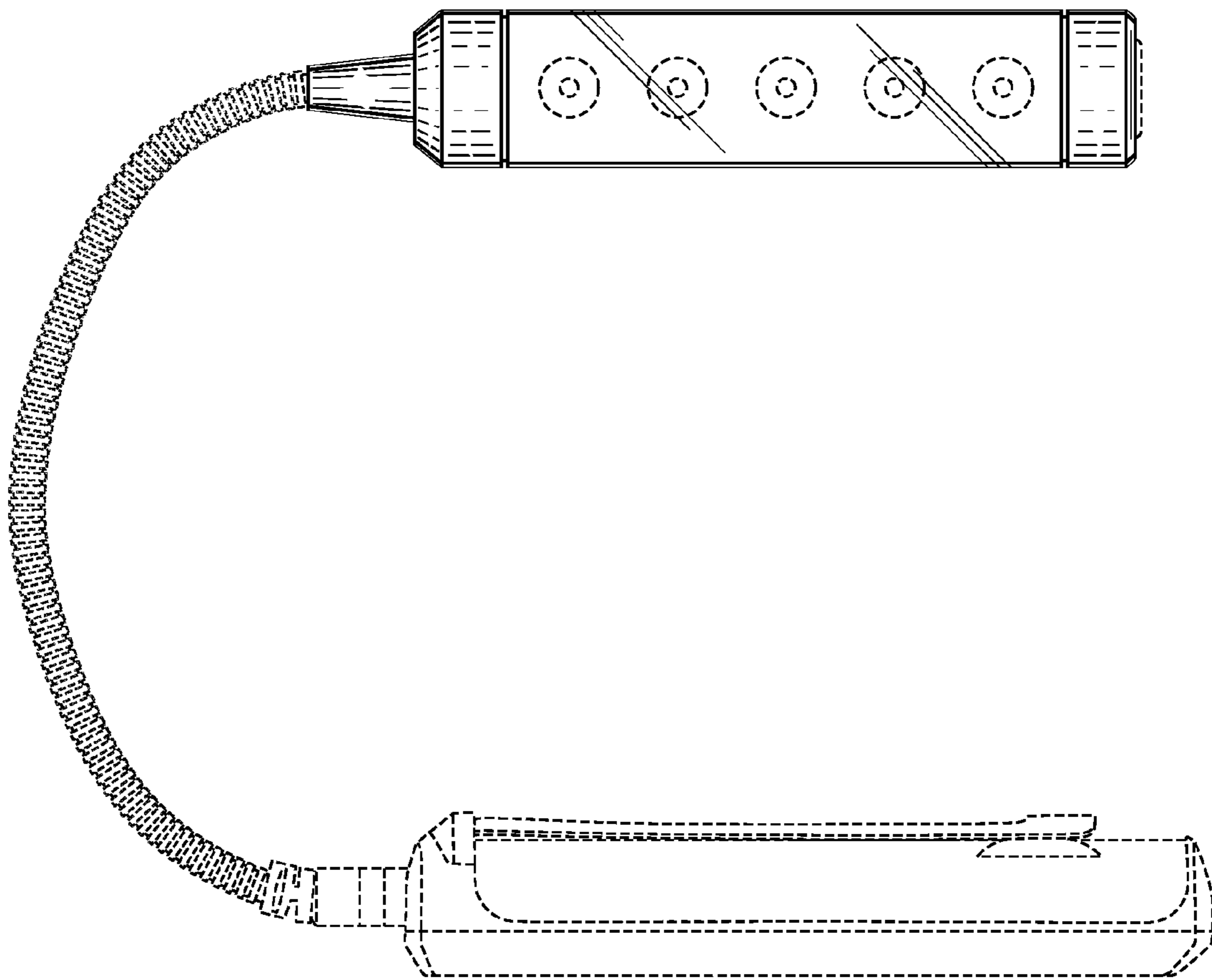


FIG. 8