



US00D590973S

(12) **United States Design Patent**
Hodgson

(10) **Patent No.:** **US D590,973 S**

(45) **Date of Patent:** **** Apr. 21, 2009**

(54) **LAMP**

(75) **Inventor:** **Fraser Milbourne Hodgson**, London
(GB)

(73) **Assignee:** **Daylight Company (Holdings)**
Limited, London (GB)

(**) **Term:** **14 Years**

(21) **Appl. No.:** **29/276,041**

(22) **Filed:** **Jan. 12, 2007**

(30) **Foreign Application Priority Data**

Jul. 12, 2006 (EM) 000559455

(51) **LOC (9) Cl.** **26-05**

(52) **U.S. Cl.** **D26/51; D26/93**

(58) **Field of Classification Search** D26/24,
D26/51, 53, 63, 93, 107, 113, 120; D16/135;
362/84, 269, 277, 311, 410-411, 413-414,
362/416, 418, 427, 457

See application file for complete search history.

(56) **References Cited**

U.S. PATENT DOCUMENTS

D159,875 S * 8/1950 Versen D26/62
D171,172 S * 12/1953 Swede D26/62
D324,273 S * 2/1992 Jenkins D26/51
D411,853 S * 7/1999 Cieslikowski D16/219
D454,969 S * 3/2002 Jacquelin D26/51

D473,962 S * 4/2003 Jacquelin D26/51
D520,168 S * 5/2006 Hodgson D26/65
D520,662 S * 5/2006 Jacquelin D26/51
D538,830 S * 3/2007 Yip et al. D16/135
7,237,931 B2 * 7/2007 Chen 362/427

* cited by examiner

Primary Examiner—Charles A Rademaker

Assistant Examiner—Dana L Sipos

(74) *Attorney, Agent, or Firm*—Lawrence E. Laubscher, Jr.

(57) **CLAIM**

I claim the ornamental design for a lamp with tray, magnifier and clamp, as shown and described.

DESCRIPTION

FIG. 1 is a front perspective view of a lamp with tray, magnifier and clamp showing my new design;

FIG. 2 is a left side elevation view thereof;

FIG. 3 is a rear elevation view thereof;

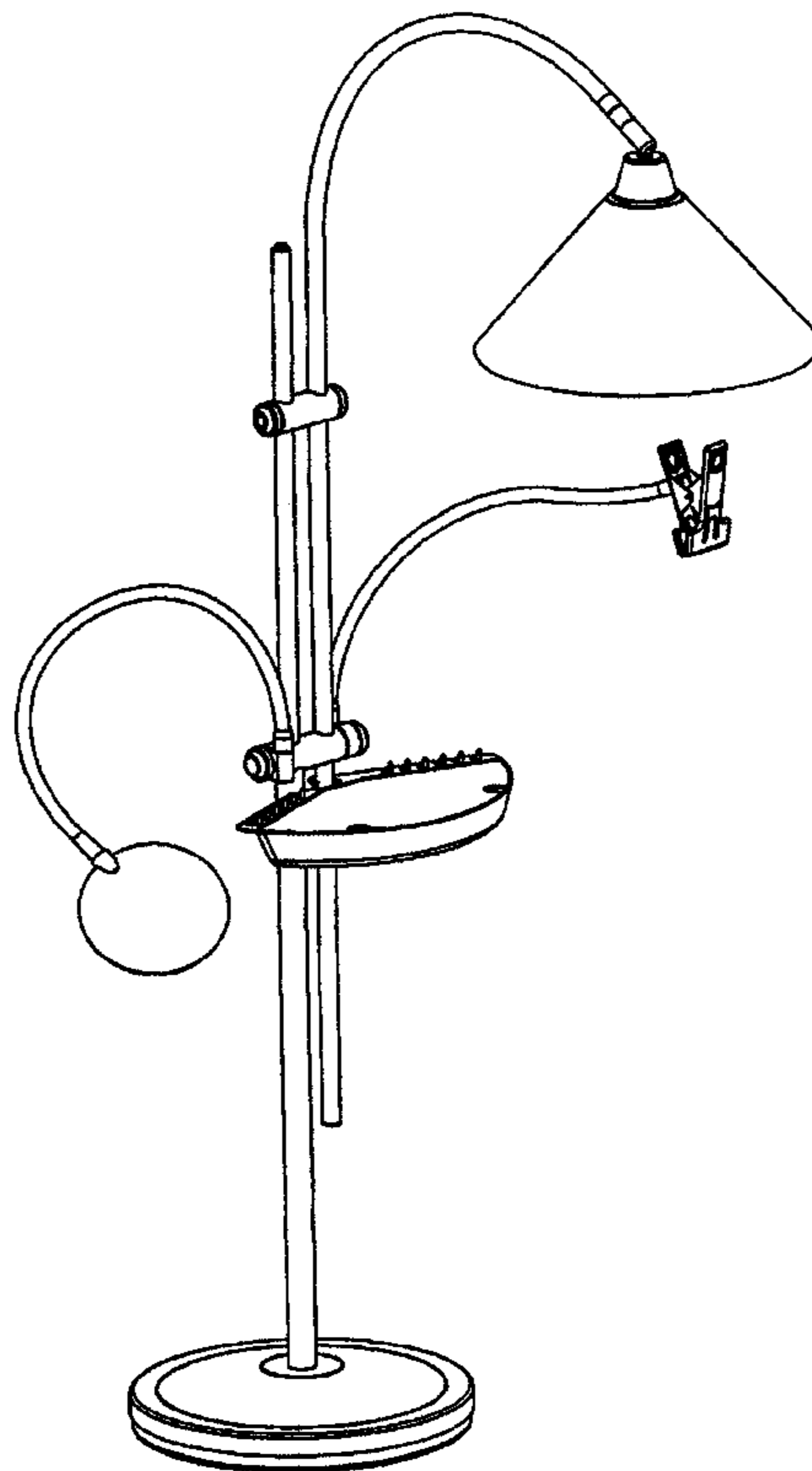
FIG. 4 is a detailed perspective view of the tray, magnifier and clamp portions of the invention illustrating my design;

FIG. 5 is front perspective view thereof with the tray, magnifier and clamp portions removed;

FIG. 6 is a left side elevation thereof with the tray, magnifier and clamp removed; and,

FIG. 7 is a rear elevation thereof with the tray, magnifier and clamp removed.

1 Claim, 7 Drawing Sheets



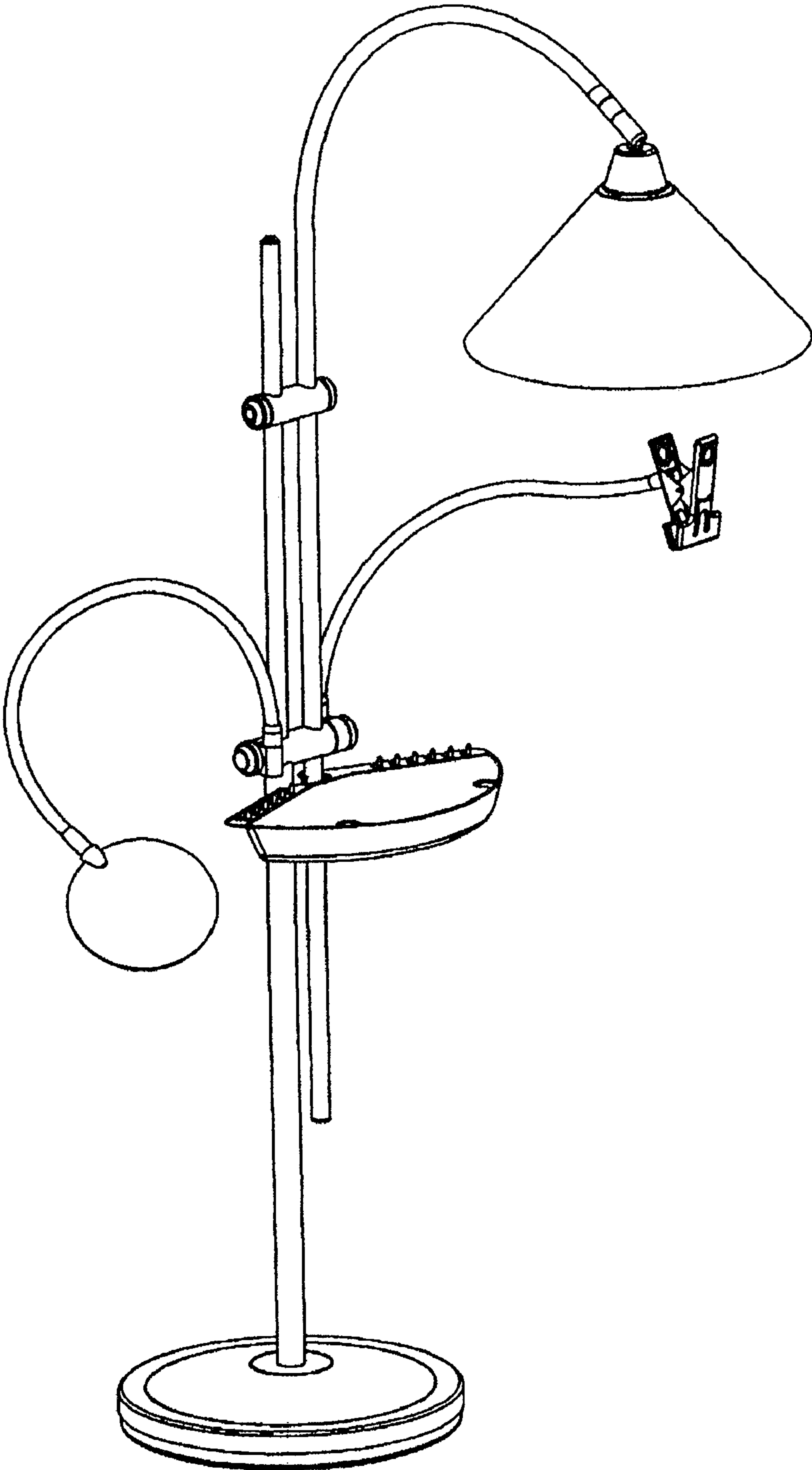


Fig. 1

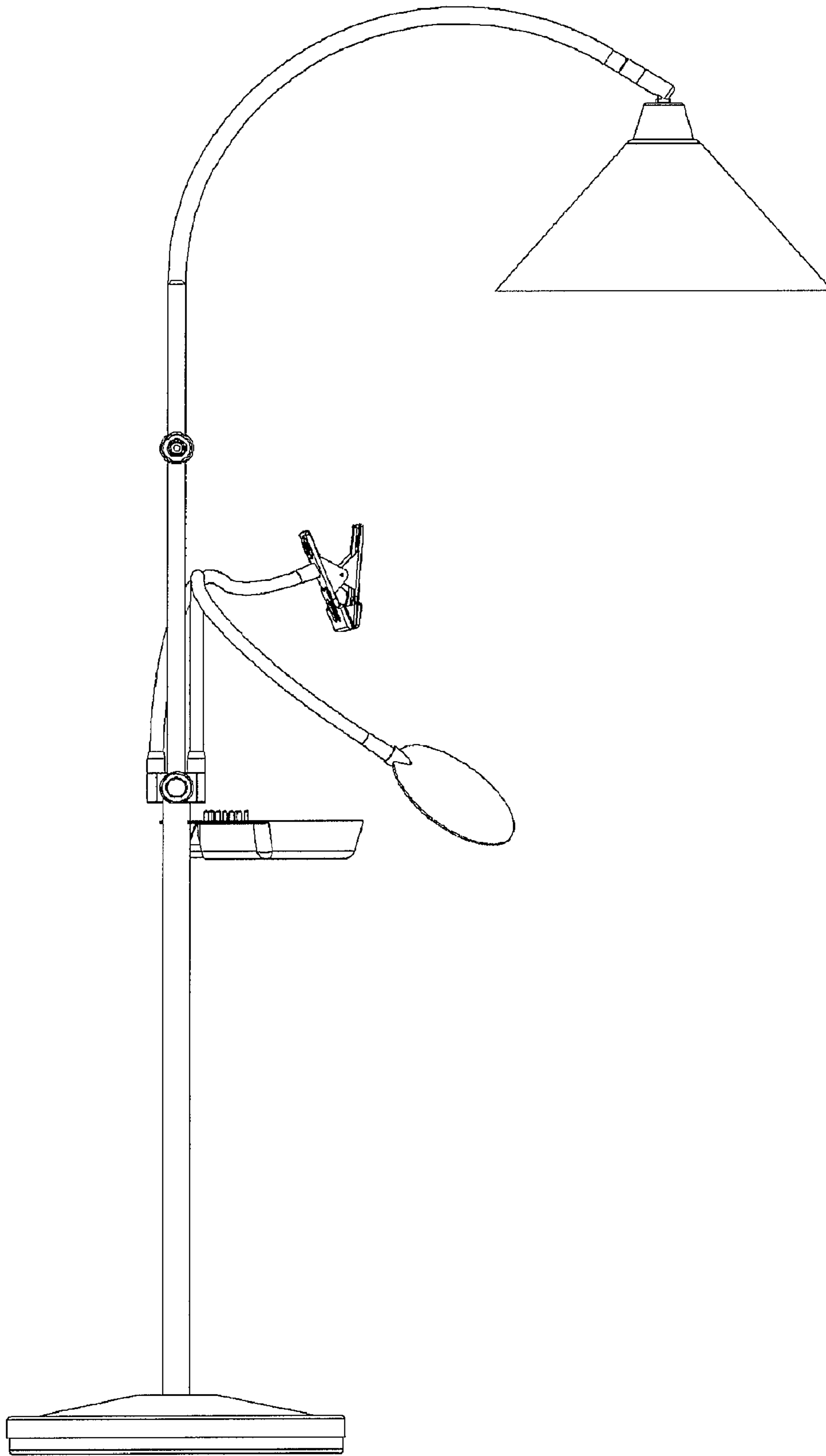


Fig. 2

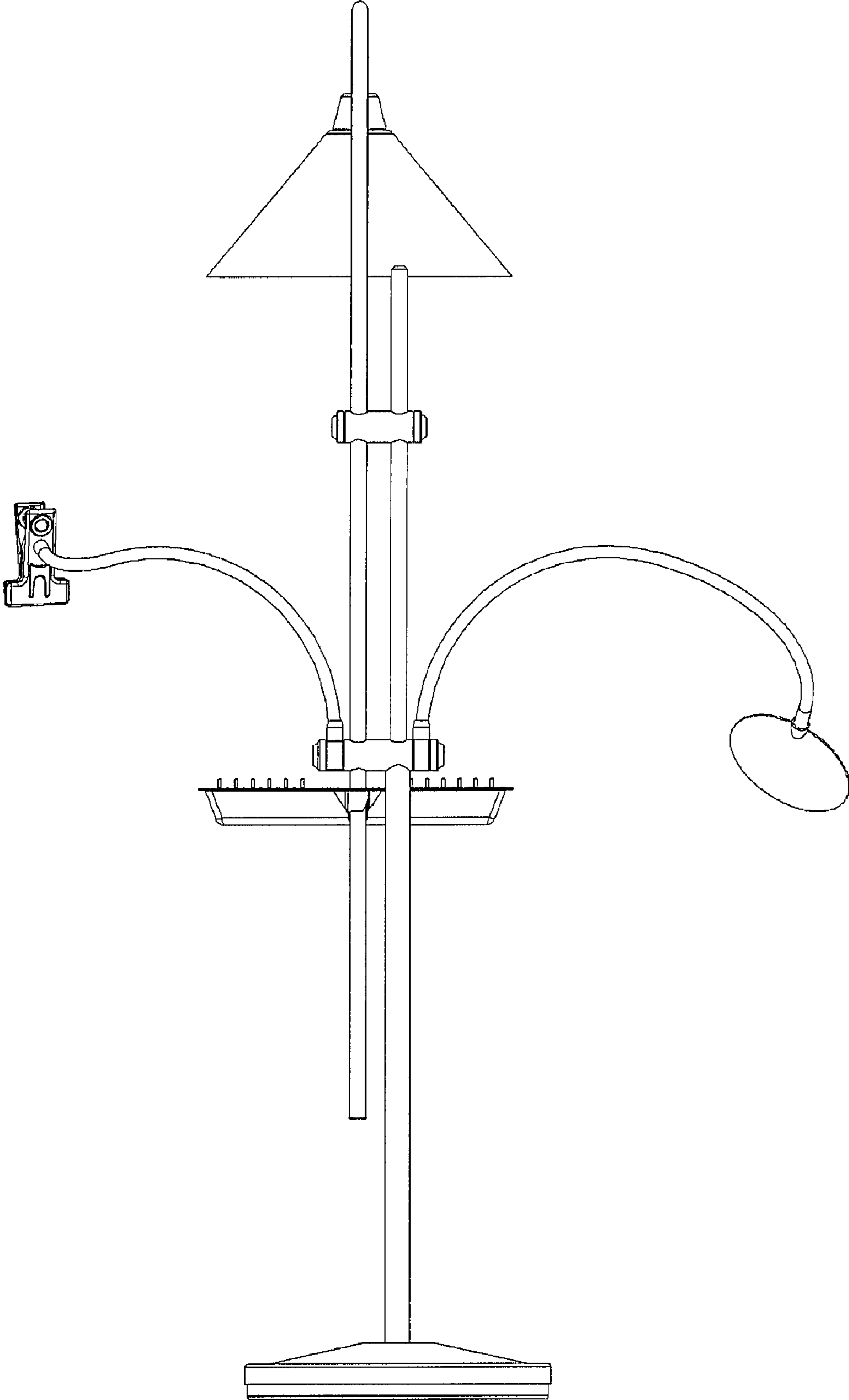


Fig. 3

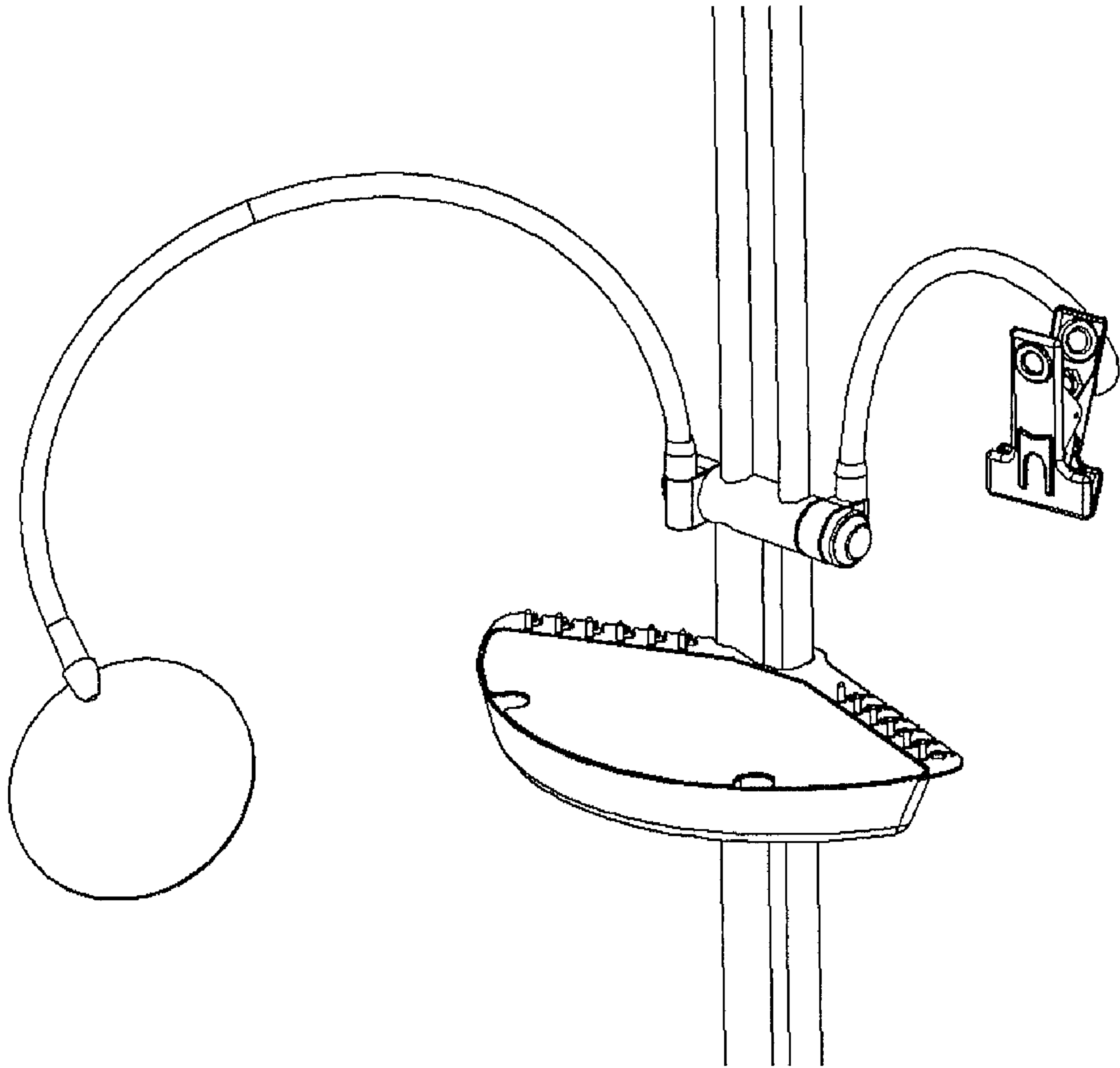


Fig. 4

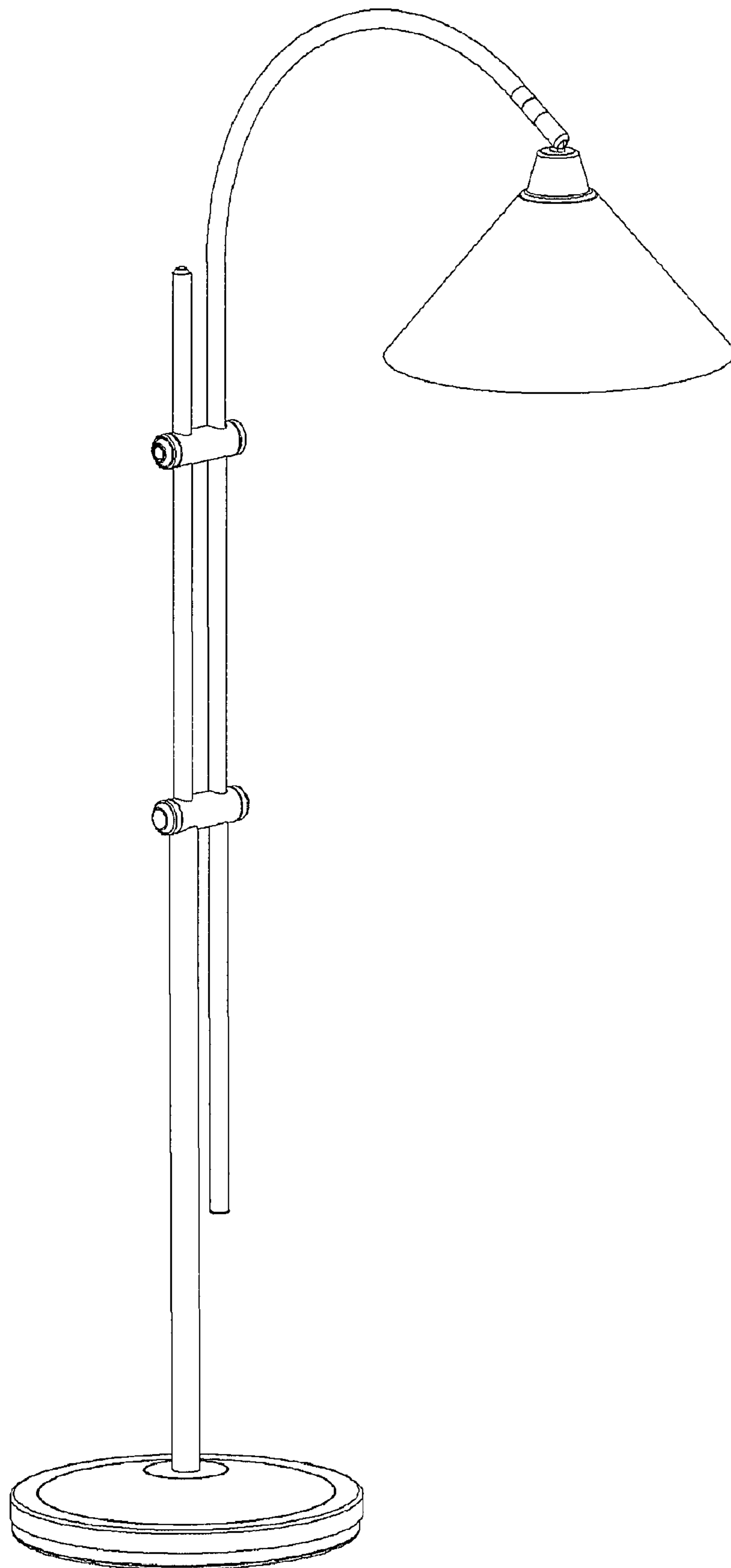


Fig. 5

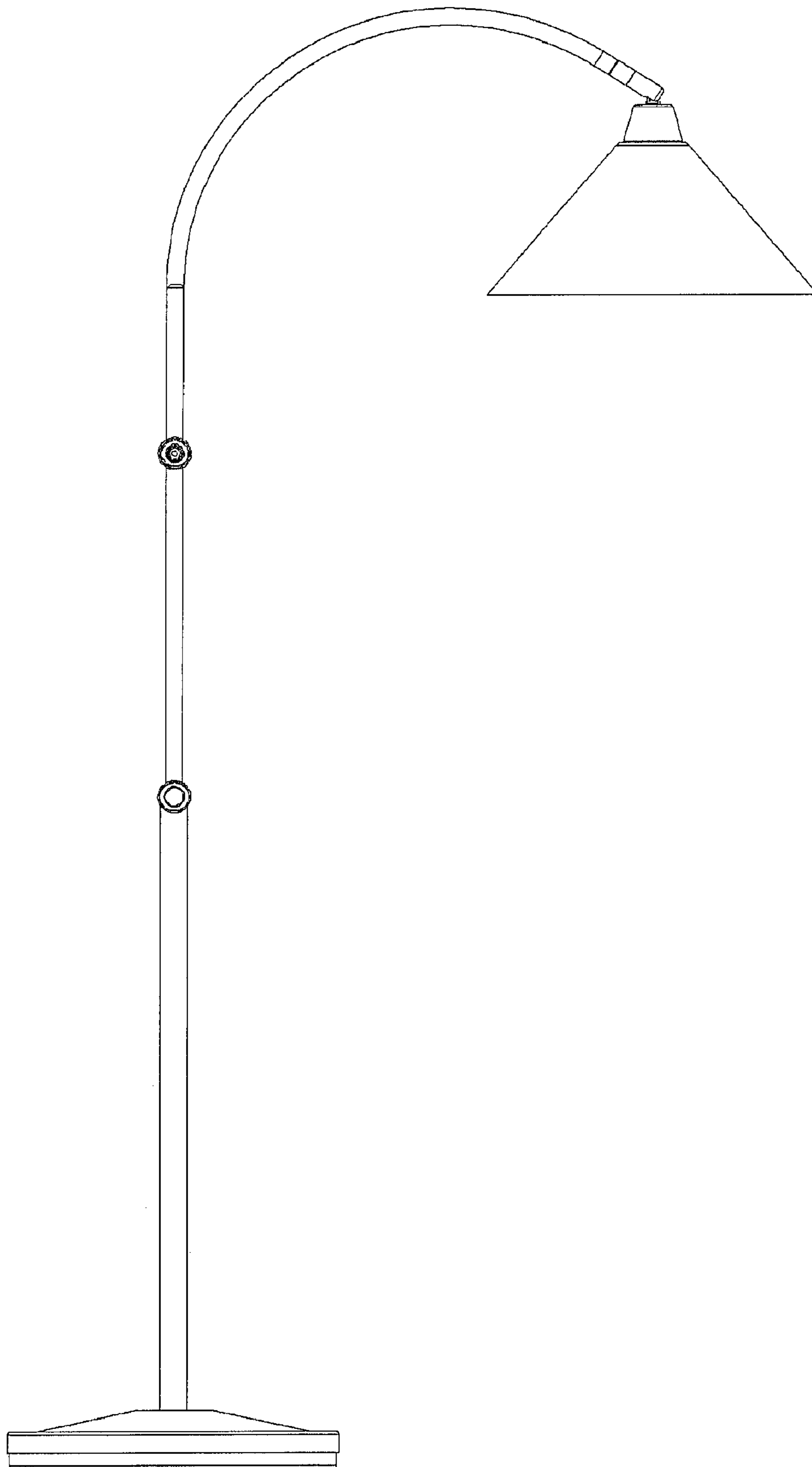


Fig. 6

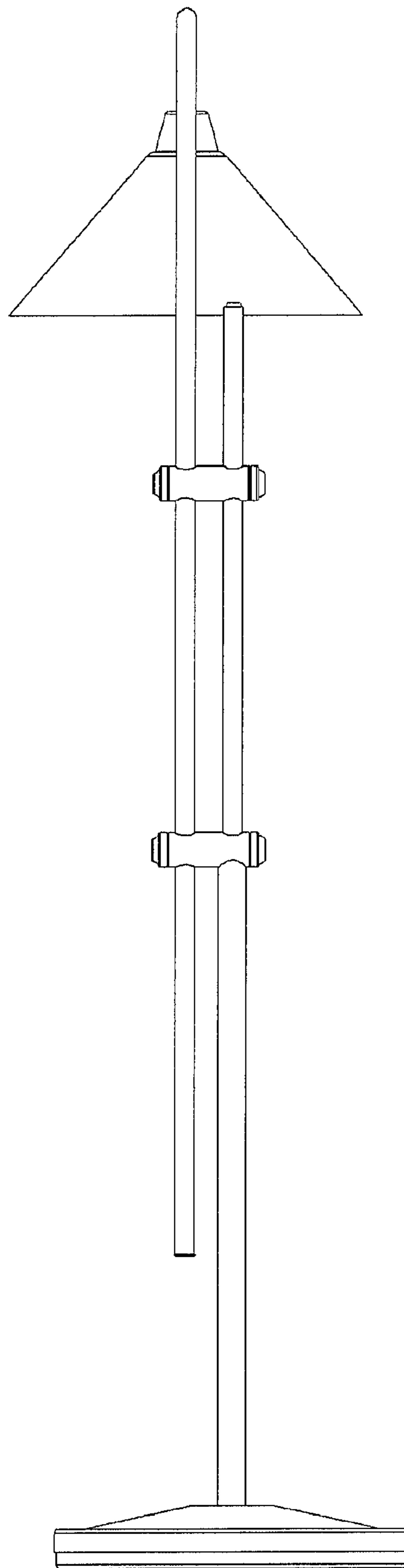


Fig. 7