



US00D590972S

(12) **United States Design Patent**
Palmer et al.

(10) **Patent No.:** **US D590,972 S**
(45) **Date of Patent:** **** Apr. 21, 2009**

(54) **PORTABLE SEARCHLIGHT**
(75) Inventors: **Gary Palmer**, Carlsbad, CA (US);
Jeffrey Kennedy, San Juan Capistrano,
CA (US)
(73) Assignee: **Xenonics Holdings, Inc.**, Carlsbad, CA
(US)
(**) Term: **14 Years**

7,048,408 B2 5/2006 Dallas et al.
D554,786 S * 11/2007 Rugendyke et al. D26/49
D555,267 S * 11/2007 Lin D26/49
RE40,015 E 1/2008 Belliveau
D558,907 S * 1/2008 Liu D26/49
D565,220 S * 3/2008 Galli D26/49
7,344,268 B2 3/2008 Jigamian
D565,769 S * 4/2008 Shiu D26/49
D569,538 S * 5/2008 Leung D26/49
D577,451 S * 9/2008 Shiu D26/49
D577,843 S * 9/2008 Couture et al. D26/49

(21) Appl. No.: **29/322,616**

* cited by examiner

(22) Filed: **Aug. 7, 2008**

Primary Examiner—Ian Simmons
Assistant Examiner—Carissa C Fitts

(51) **LOC (9) Cl.** **26-02**

(52) **U.S. Cl.** **D26/49**

(58) **Field of Classification Search** D26/37,
D26/46, 49, 50; 362/157, 158, 159, 183,
362/195, 196, 201, 202, 205, 208

(74) *Attorney, Agent, or Firm*—Howard IP Law Group, PC

See application file for complete search history.

(57) **CLAIM**

The ornamental design for a portable searchlight, as shown and described.

(56) **References Cited**

DESCRIPTION

U.S. PATENT DOCUMENTS

5,036,444 A	7/1991	Hiles
5,050,053 A	9/1991	McDermott
5,581,356 A	12/1996	Vezard
5,909,315 A	6/1999	Keehn
D425,643 S	5/2000	Jigamian et al.
6,174,071 B1	1/2001	Chan
RE37,136 E	4/2001	Vezard
6,262,855 B1	7/2001	Greisz
D480,048 S	9/2003	Jigamian
6,702,452 B2	3/2004	Jigamian et al.
D490,924 S	6/2004	Jigamian
6,896,392 B2	5/2005	Jigamian et al.
6,909,250 B2	6/2005	Jigamian et al.

FIG. 1 is a perspective view of a portable searchlight showing our new design;

FIG. 2 is a front view thereof,

FIG. 3 is a rear view thereof;

FIG. 4 is a left-side elevational view thereof;

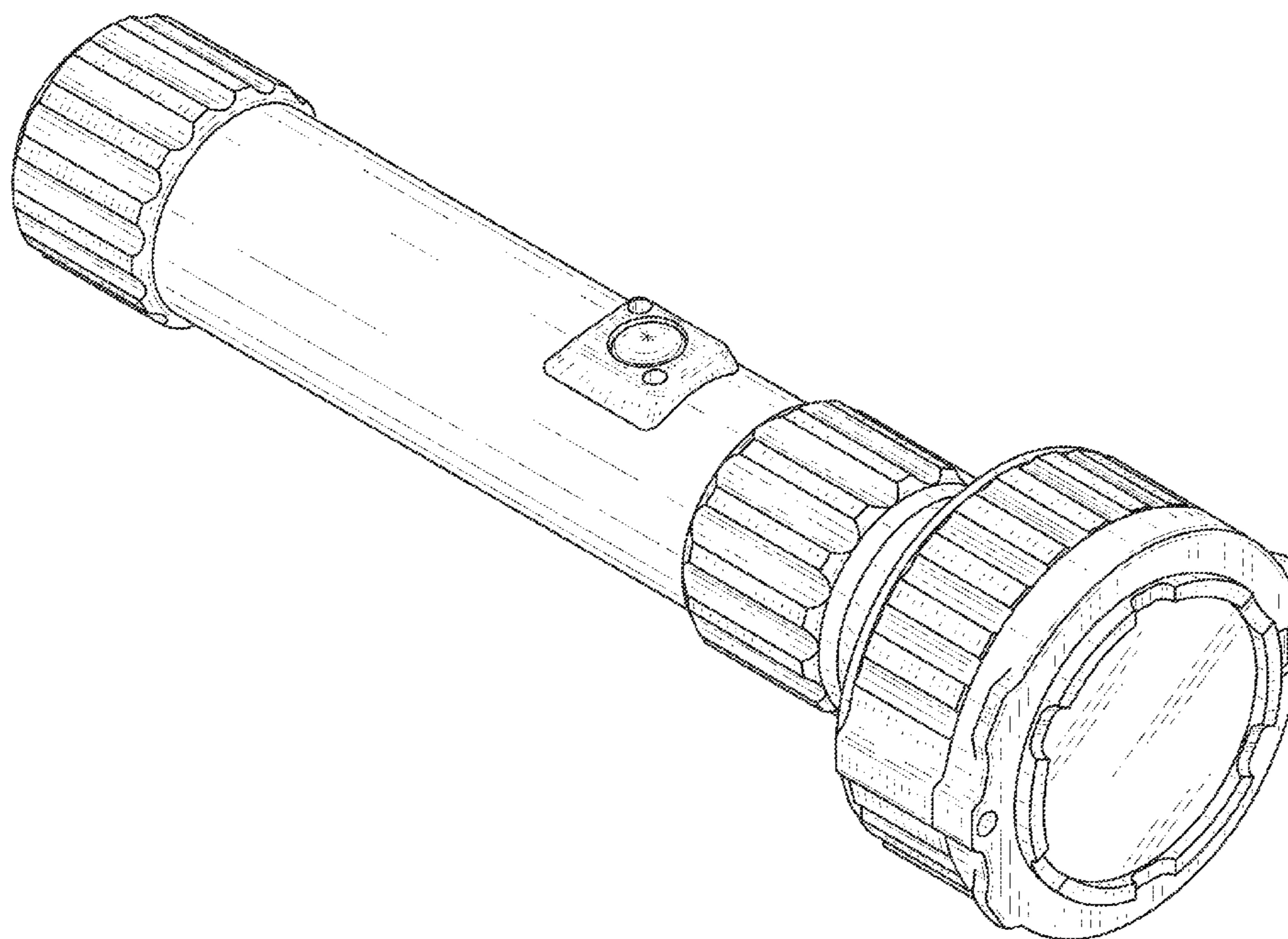
FIG. 5 is a right-side elevational view thereof;

FIG. 6 is a top view thereof; and,

FIG. 7 is a bottom view thereof.

The matter shown in broken lines is shown for illustrative purposes only, and forms no part of the claimed design.

1 Claim, 6 Drawing Sheets



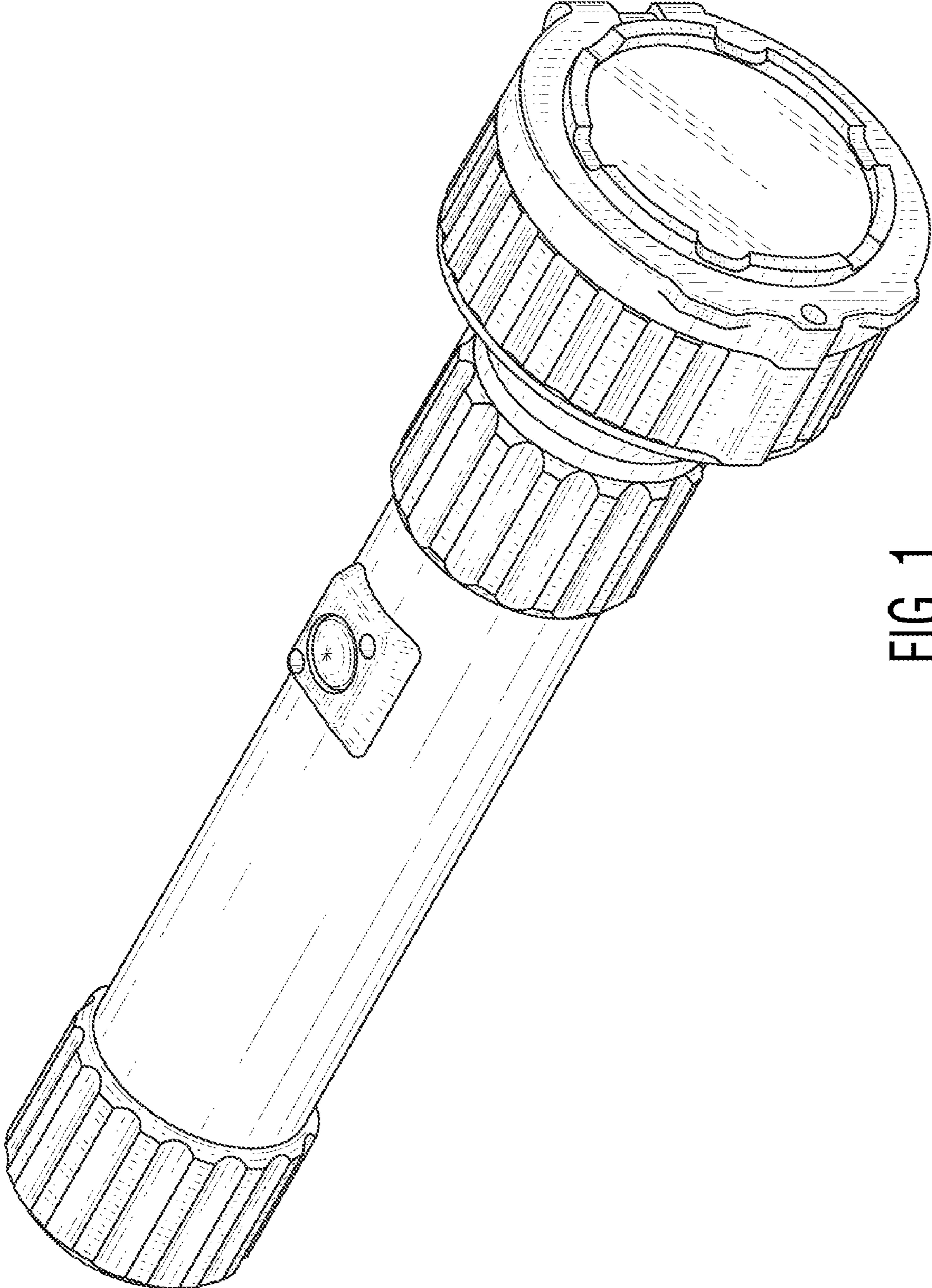


FIG. 1

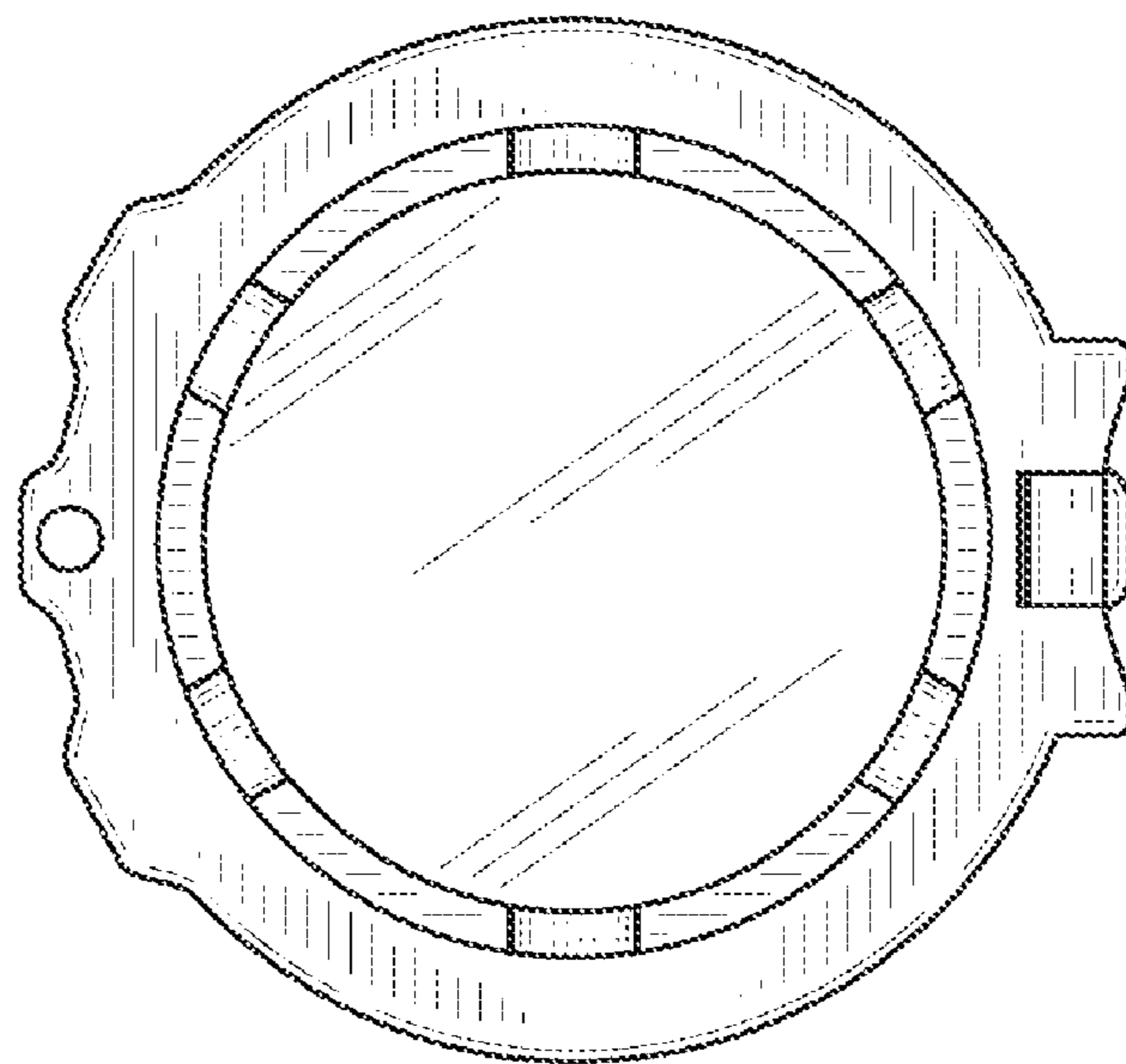


FIG. 2

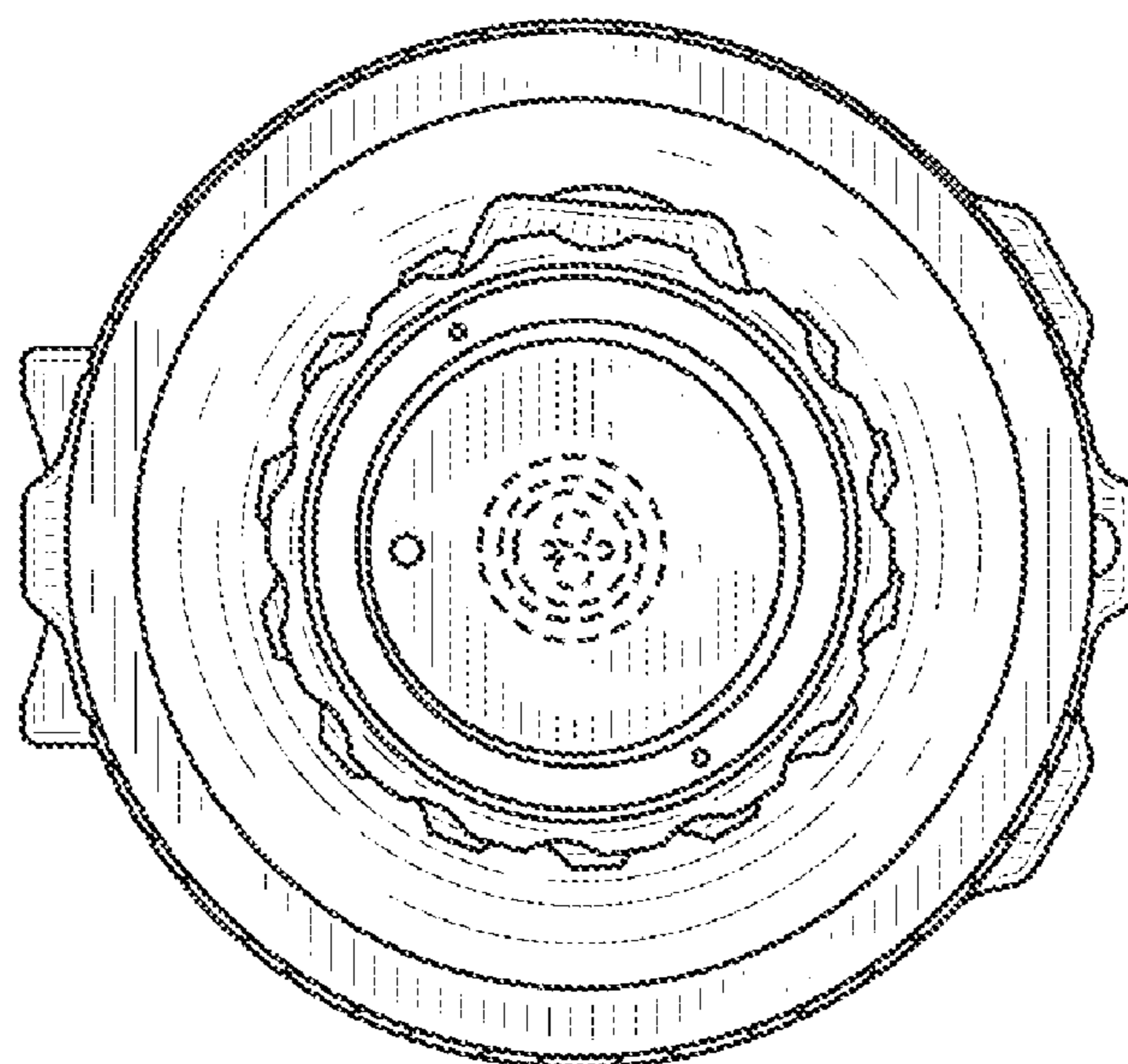


FIG. 3

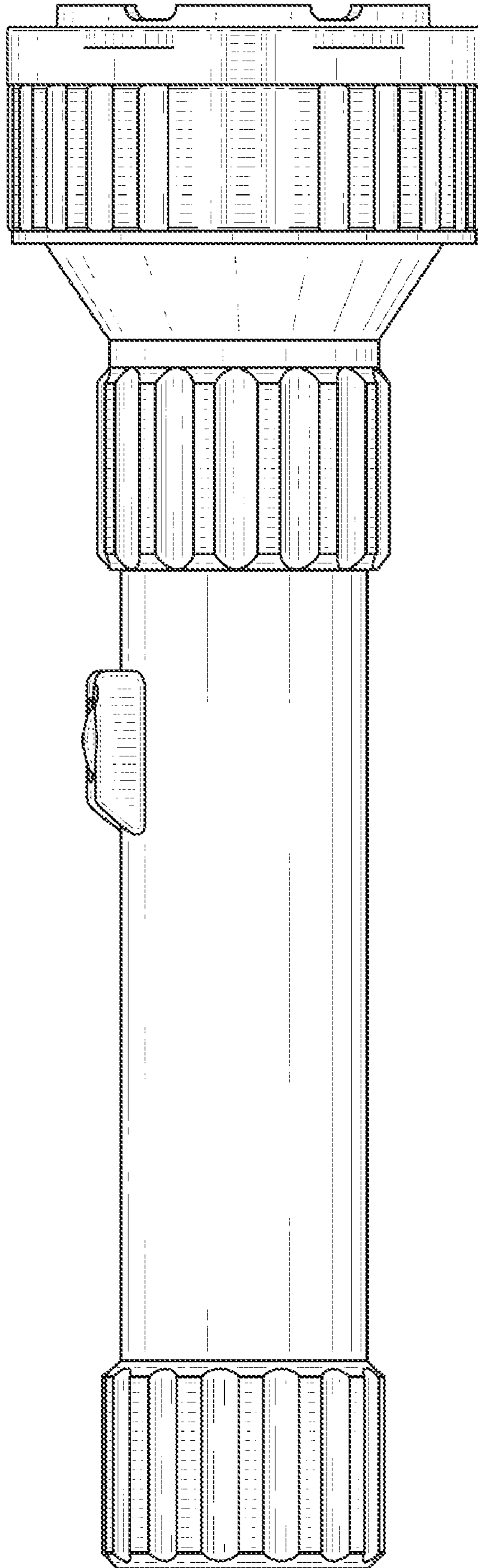


FIG. 4

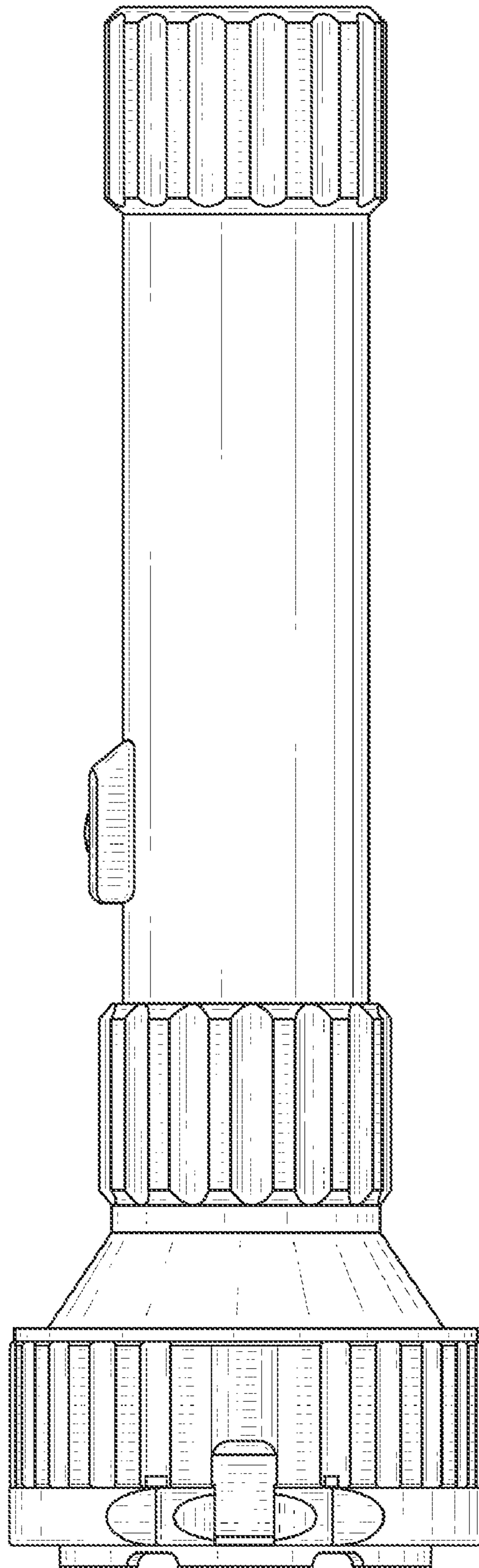


FIG. 5

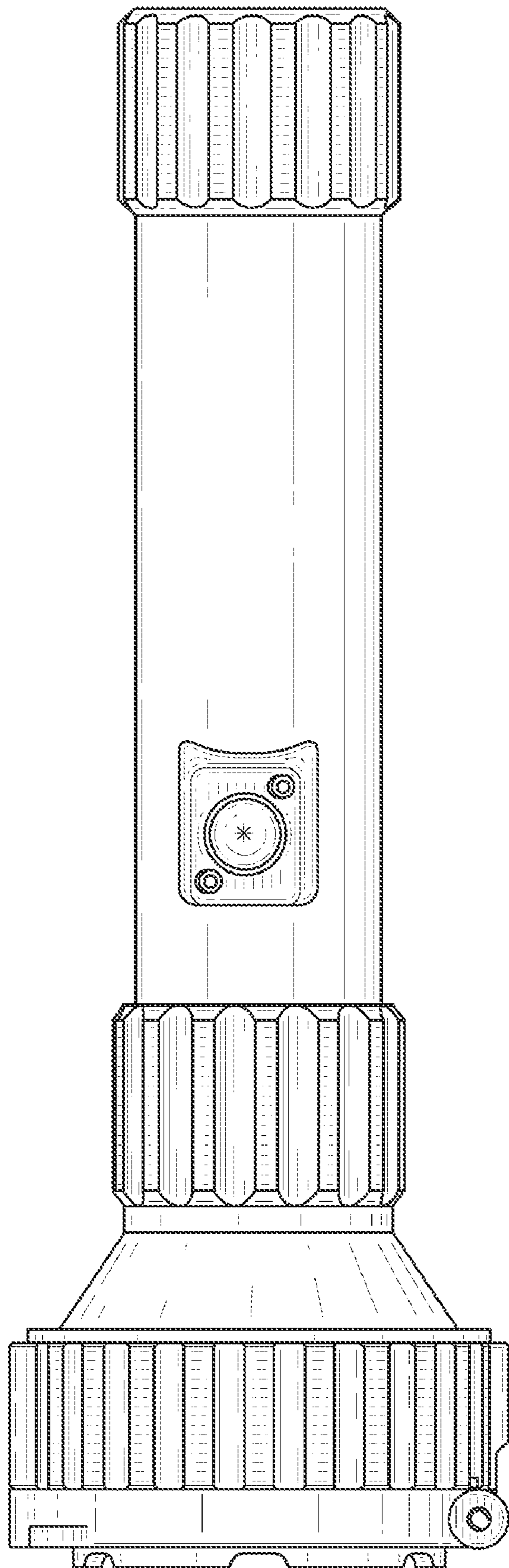


FIG. 6

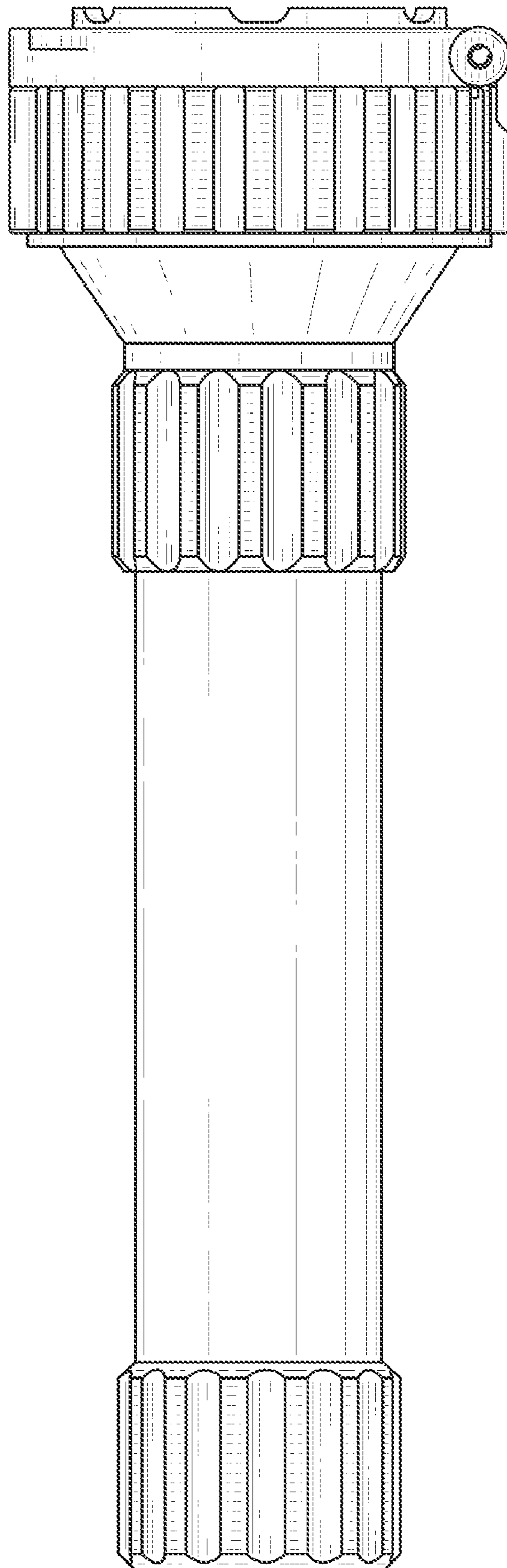


FIG. 7