



US00D590971S

(12) **United States Design Patent**
Spartano et al.

(10) **Patent No.:** **US D590,971 S**

(45) **Date of Patent:** **** Apr. 21, 2009**

(54) **LIGHTING DEVICE**

(75) Inventors: **David A Spartano**, Brunswick, OH
(US); **Scott W Osiecki**, Skaneateles, NY
(US); **Ronald J Kingston**, Syracuse, NY
(US)

(73) Assignee: **Eveready Battery Co., Inc.**, St. Louis,
MO (US)

(**) Term: **14 Years**

(21) Appl. No.: **29/323,423**

(22) Filed: **Aug. 26, 2008**

(51) **LOC (9) Cl.** **26-02**

(52) **U.S. Cl.** **D26/44**

(58) **Field of Classification Search** D26/37,
D26/42-46, 48, 50; 362/157, 158, 167-170,
362/174-177, 183, 184, 187, 190, 194-208
See application file for complete search history.

(56) **References Cited**

U.S. PATENT DOCUMENTS

D324,430 S *	3/1992	Sharrah et al.	D26/46
D378,434 S *	3/1997	Petterson et al.	D26/44
D409,778 S *	5/1999	Chu	D26/44
D425,642 S *	5/2000	Zeller	D26/44
D428,175 S *	7/2000	Lynch et al.	D26/44
D467,375 S *	12/2002	Lynch et al.	D26/44
D499,501 S *	12/2004	Chan	D26/42
D500,154 S *	12/2004	Lee	D26/42

D514,720 S *	2/2006	Sze-Tai	D26/42
D536,464 S	2/2007	Kingston et al.		
D549,373 S *	8/2007	Osiecki et al.	D26/44
D549,379 S	8/2007	Sharrah et al.		
D552,279 S *	10/2007	Osiecki et al.	D26/44
D552,280 S *	10/2007	Osiecki et al.	D26/44

* cited by examiner

Primary Examiner—Ian Simmons

Assistant Examiner—Carissa C Fitts

(74) *Attorney, Agent, or Firm*—Gregory J. Adams

(57) **CLAIM**

We claim the ornamental design for a lighting device, as shown and described.

DESCRIPTION

FIG. 1 is a perspective view of the lighting device.

FIG. 2 is a front view of the lighting device.

FIG. 3 is a back view of the lighting device.

FIG. 4 is a left side view of the lighting device.

FIG. 5 is a right side view of the lighting device.

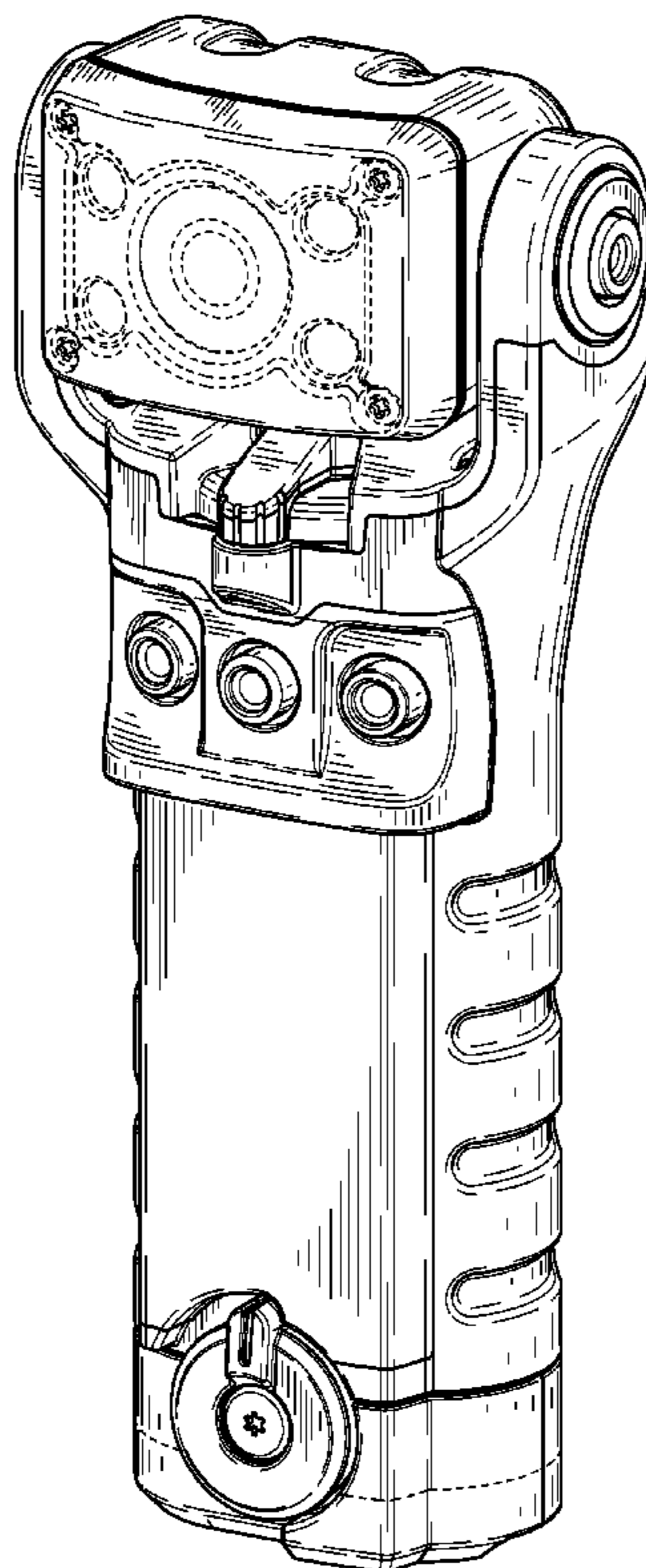
FIG. 6 is a top view of the lighting device.

FIG. 7 is a bottom view of the lighting device; and,

FIG. 8 is a second perspective view of the lighting device.

Any broken line(s) shown are for illustrative purposes only and form no part of the claimed design.

1 Claim, 6 Drawing Sheets



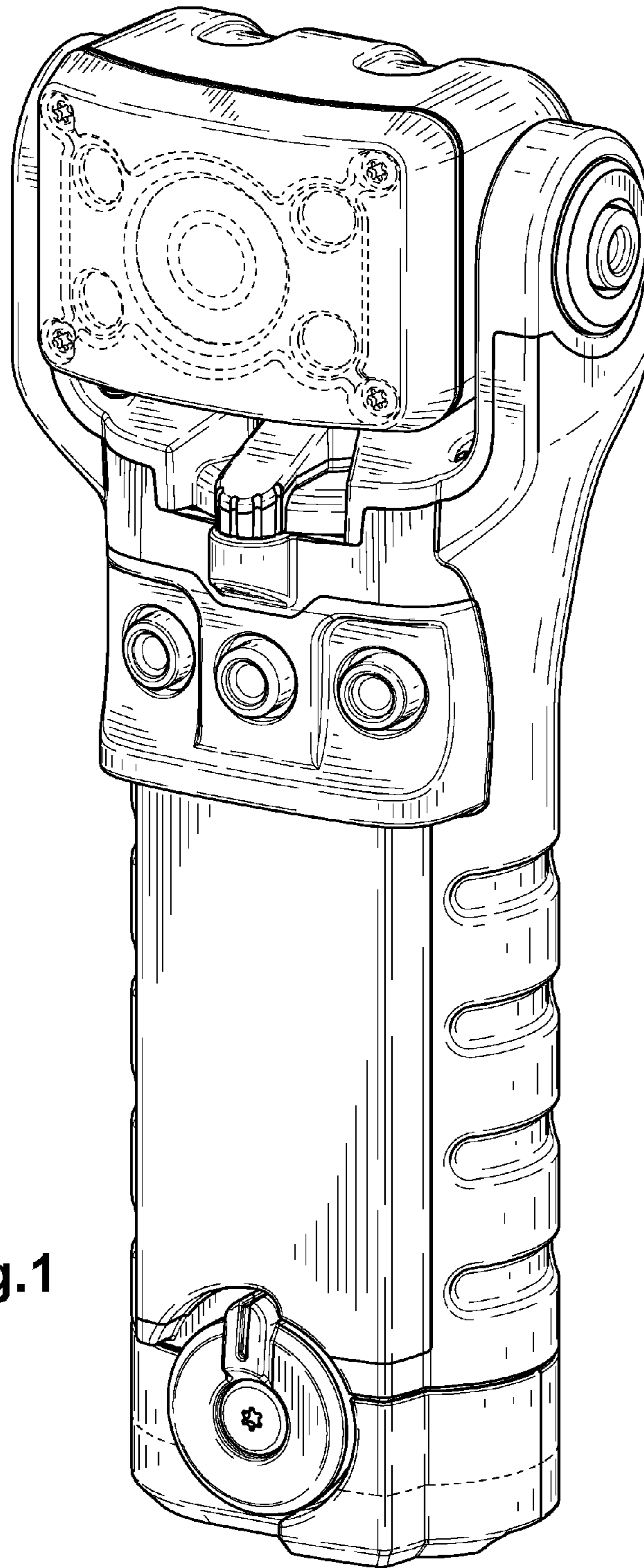


Fig.1

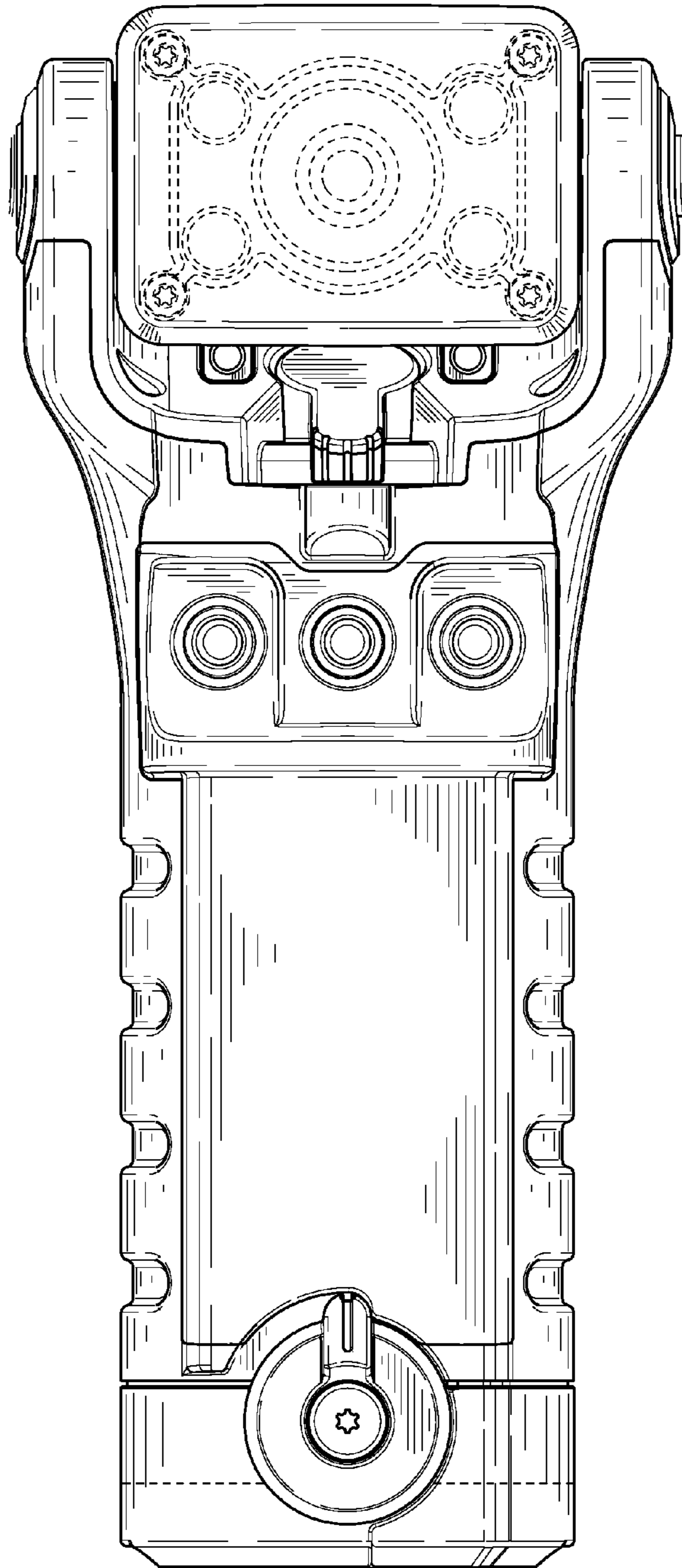


Fig.2

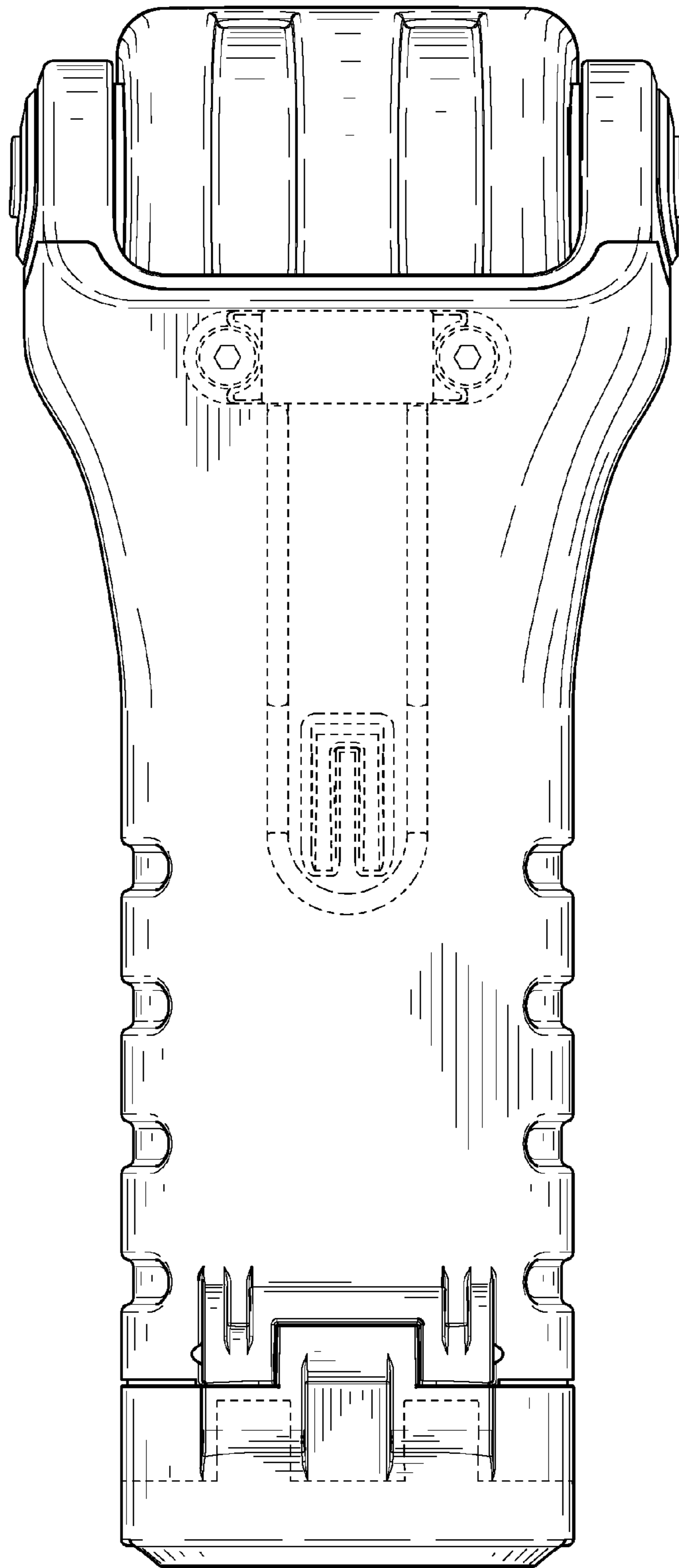


Fig.3

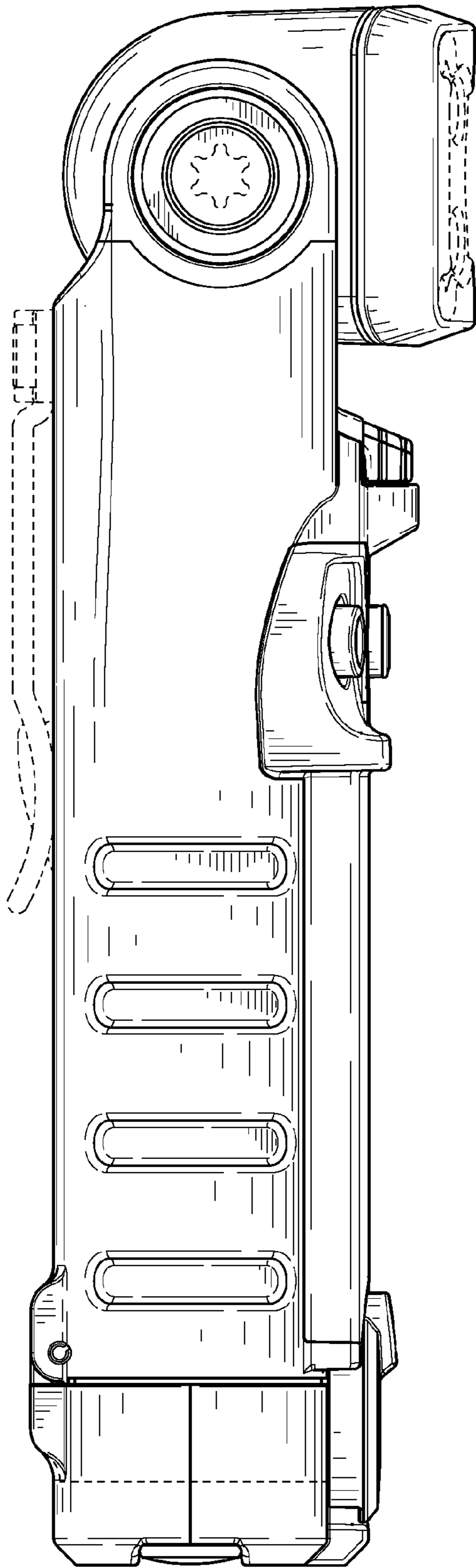


Fig.4

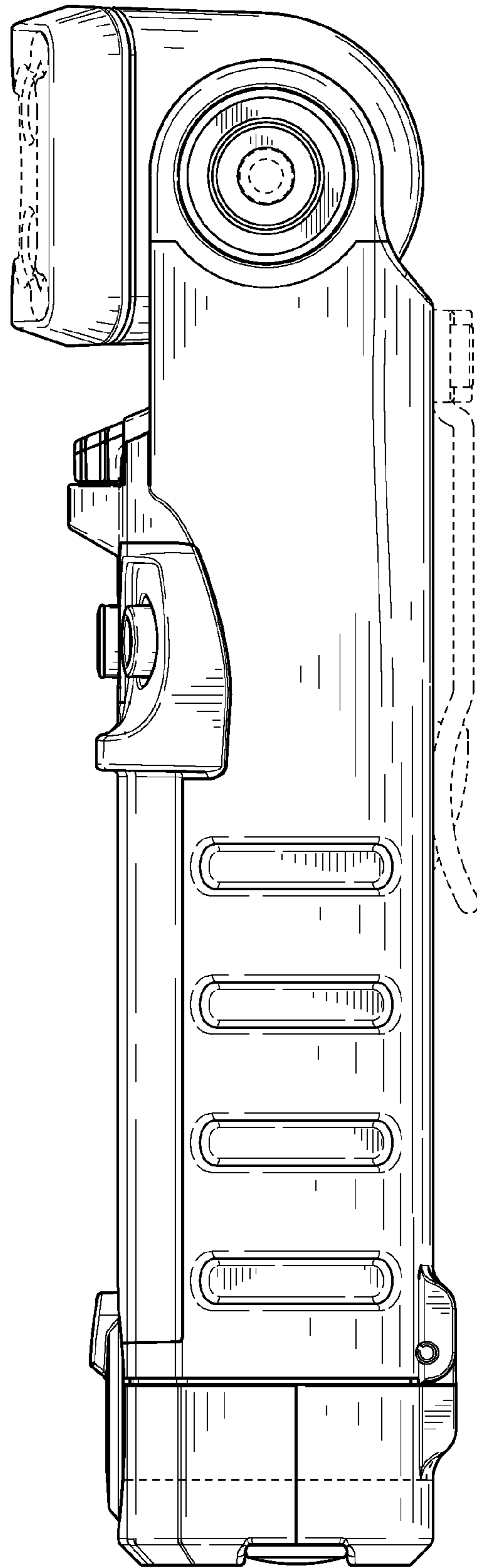


Fig.5

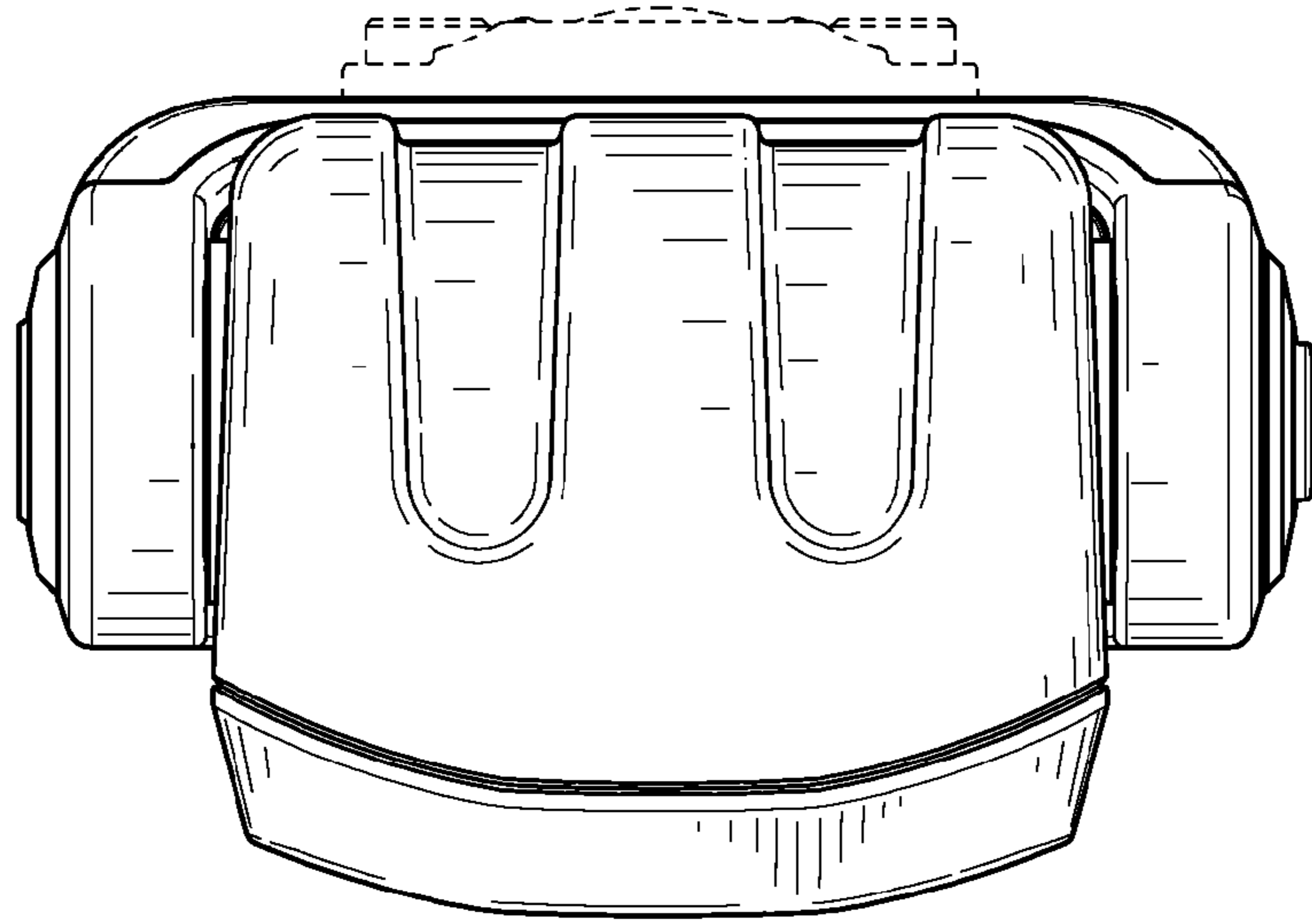


Fig.6

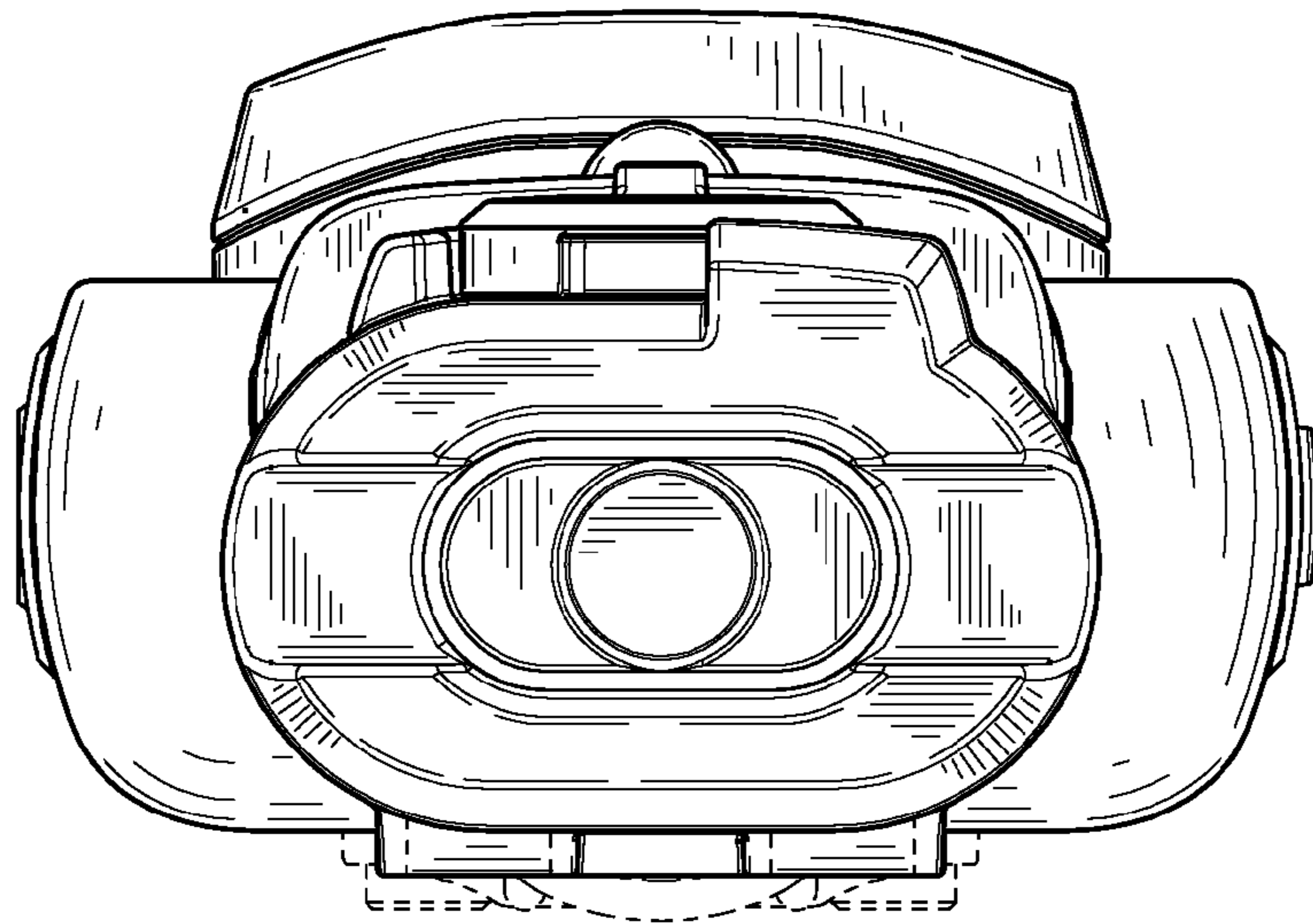


Fig.7

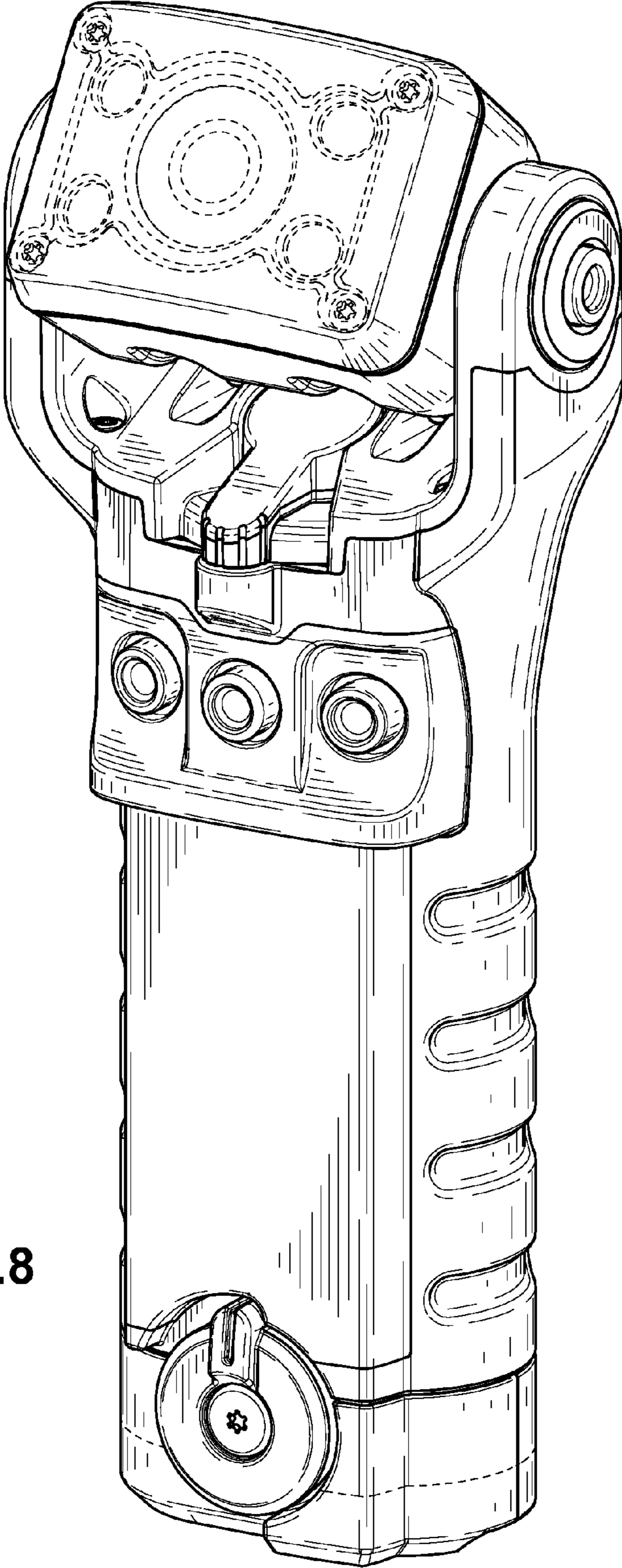


Fig.8