



US00D590970S

(12) **United States Design Patent**
Kornfeld et al.

(10) **Patent No.:** **US D590,970 S**
(45) **Date of Patent:** **** Apr. 21, 2009**

(54) **FLASHLIGHT**

(75) Inventors: **Joshua M. Kornfeld**, Seattle, WA (US);
Rosa Yvonne Seda, Portland, OR (US);
Rick R. Regan, Aloha, OR (US); **G.**
Scott Smith, Portland, OR (US)

(73) Assignee: **Leupold & Stevens, Inc.**, Beaverton,
OR (US)

(**) Term: **14 Years**

(21) Appl. No.: **29/303,296**

(22) Filed: **Feb. 5, 2008**

Related U.S. Application Data

(63) Continuation-in-part of application No. 29/250,064,
filed on Oct. 31, 2006, now Pat. No. Des. 566,309.

(51) **LOC (9) Cl.** **26-02**

(52) **U.S. Cl.** **D26/37**

(58) **Field of Classification Search** D26/37,
D26/49, 46, 48; 362/157, 158, 183, 184,
362/195, 196, 202, 203, 204, 205, 206, 208
See application file for complete search history.

(56) **References Cited**

U.S. PATENT DOCUMENTS

D351,245 S	10/1994	Maglica	
D353,217 S	12/1994	Maglica	
D554,281 S	* 10/2007	Bushee et al. D26/37
D554,787 S	* 11/2007	Shiu D26/49
D565,220 S	* 3/2008	Galli D26/49
D567,976 S	* 4/2008	Shiu D26/37
D569,538 S	* 5/2008	Leung D26/49
D570,511 S	* 6/2008	Shiu D26/49
D577,843 S	* 9/2008	Couture et al. D26/49
D578,688 S	* 10/2008	Kim D26/37
D578,689 S	* 10/2008	Kim D26/37
D578,690 S	* 10/2008	Kim D26/37

OTHER PUBLICATIONS

Leupold Catalog. 2006 Optics. 20 pages.
Nordic Technologies, LLC, 2 "C" Cell Aluminum Flashlight, http://www.nordiclites.com/product_pages/2c.htm, visited Aug. 16, 2007,
2 pages.

USPTO Tarr Web Server, Serial No. 76193238, <http://tarr.uspto.gov/serviet/tarr?regser=serial&entry=7619238>. filing date Jan. 12, 2001,
3 pages.

USPTO Trademark Supplemental Register, Reg. No. 3,012,303, reg-
istered Nov. 1, 2005, 1 page.

USPTO Trademark Principal Register, Reg. No. 884,610, registered
Jan. 20, 1970, renewal approved Nov. 30, 1989, 1 page.

USPTO Trademark Principal Register, Reg. No. 1,541,250, registered
May 30, 1989, 1 page.

USPTO Trademark Principal Register, Reg. No. 1,569,321, regis-
tered Dec. 5, 1989, 1 page.

USPTO Trademark Principal Register, Reg. No. 2,576,067, regis-
tered Jun. 4, 2002, 1 page.

* cited by examiner

Primary Examiner—Ian Simmons

Assistant Examiner—Carissa C Fitts

(74) *Attorney, Agent, or Firm*—Stoel Rives LLP

(57) **CLAIM**

We claim the ornamental design for a flashlight, as shown and
described.

DESCRIPTION

FIG. 1 is a top perspective view of a flashlight embodiment;
FIG. 2 is a bottom perspective view of the flashlight of FIG. 1;
FIG. 3 is a top view of the flashlight of FIG. 1;

FIG. 4 is a right side view of the flashlight of FIG. 1, the left
side view (omitted) being a mirror image thereof;

FIG. 5 is a bottom view of the flashlight of FIG. 1;

FIG. 6 is a lamp-side view of the flashlight of FIG. 1;

FIG. 7 is a tail end view of the flashlight of FIG. 1;

FIG. 8 is a top perspective of a second flashlight embodiment;

FIG. 9 is a bottom perspective view of the flashlight of FIG. 8;

FIG. 10 is a top view of the flashlight of FIG. 8;

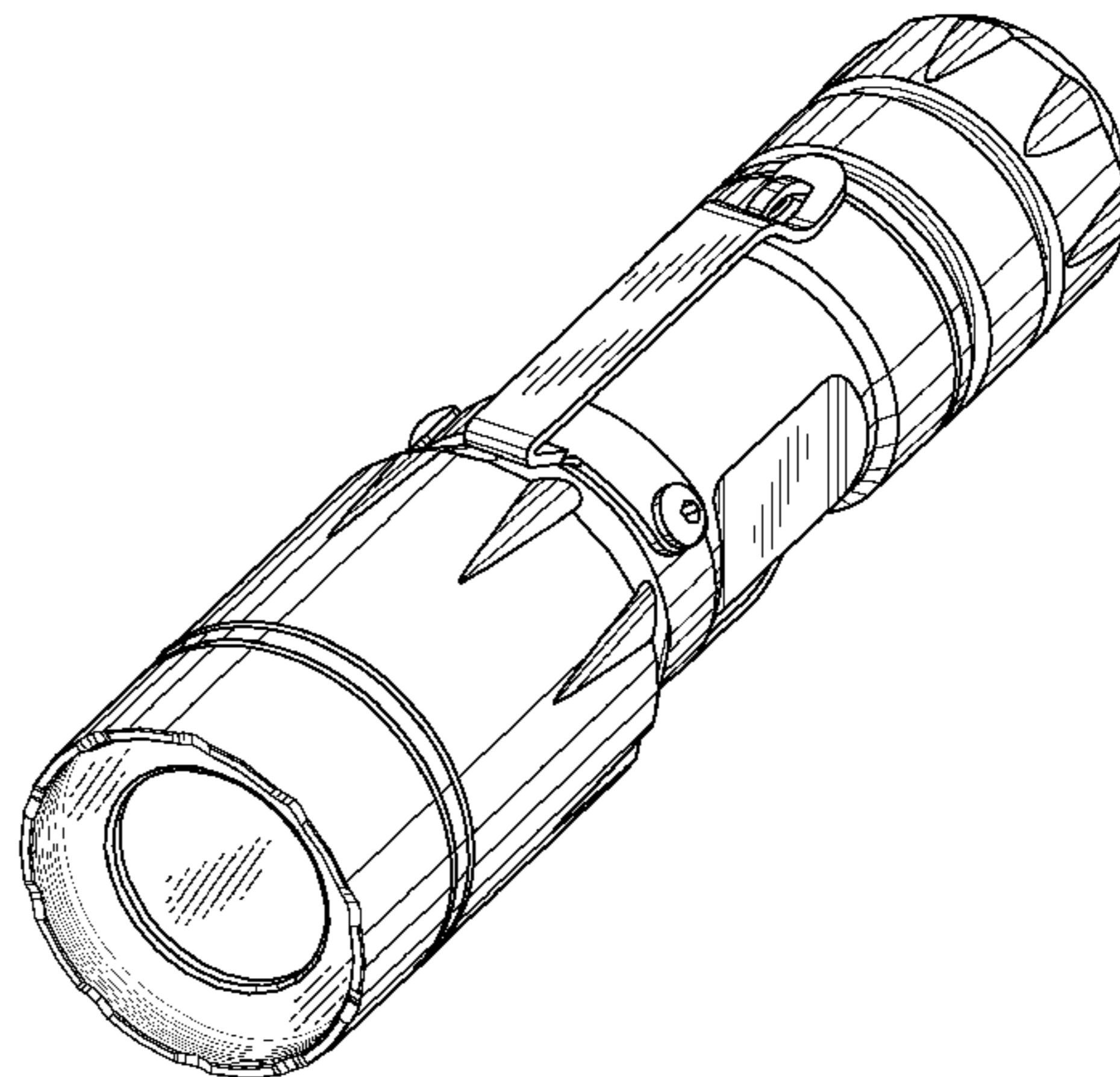
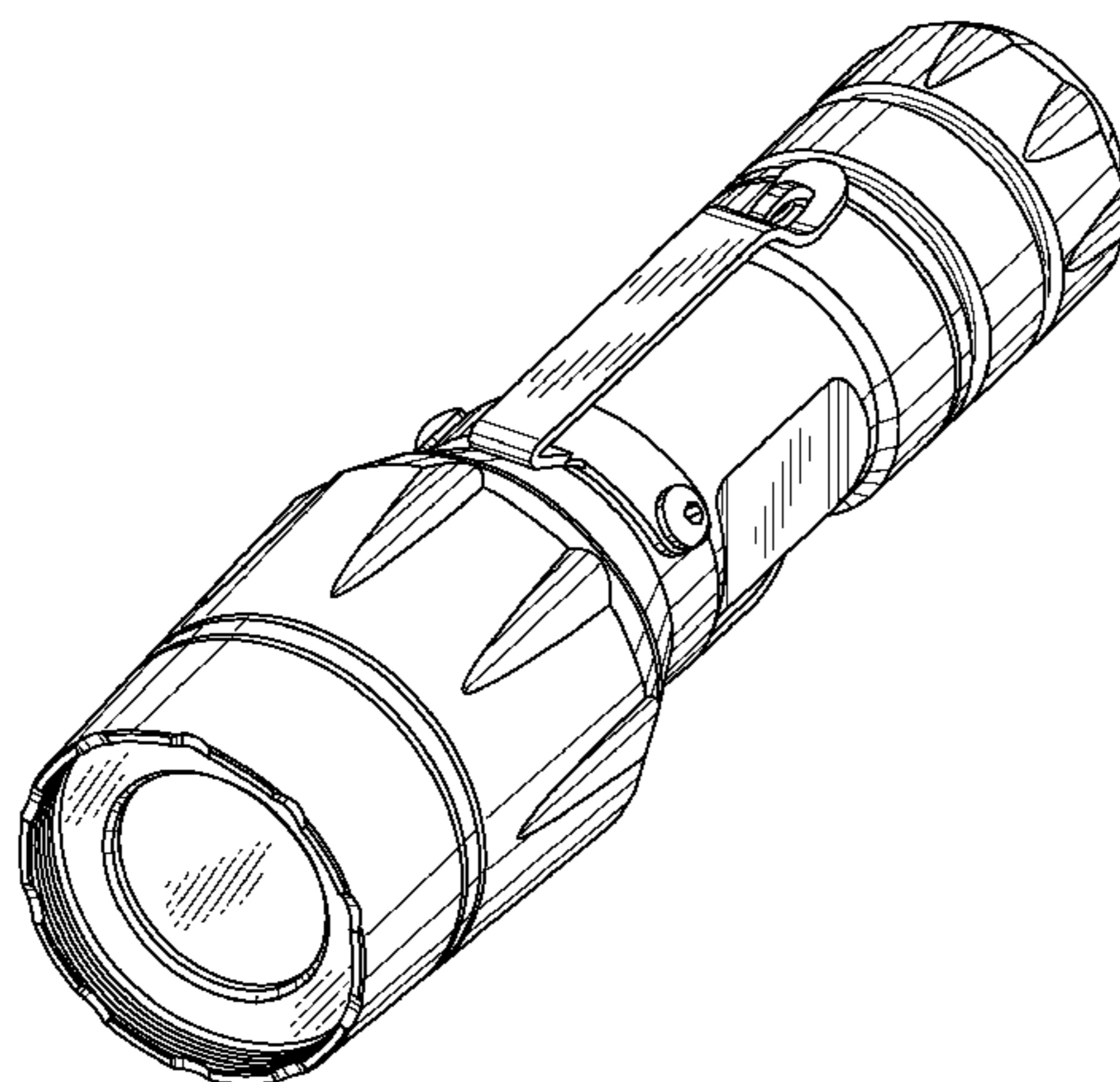
FIG. 11 is a right side view of the flashlight of FIG. 8, the left
side view being a mirror image thereof;

FIG. 12 is a bottom view of the flashlight of FIG. 8;

FIG. 13 is a lamp side view of the flashlight of FIG. 8; and,

FIG. 14 is a tail end view of the flashlight of FIG. 8.

1 Claim, 5 Drawing Sheets



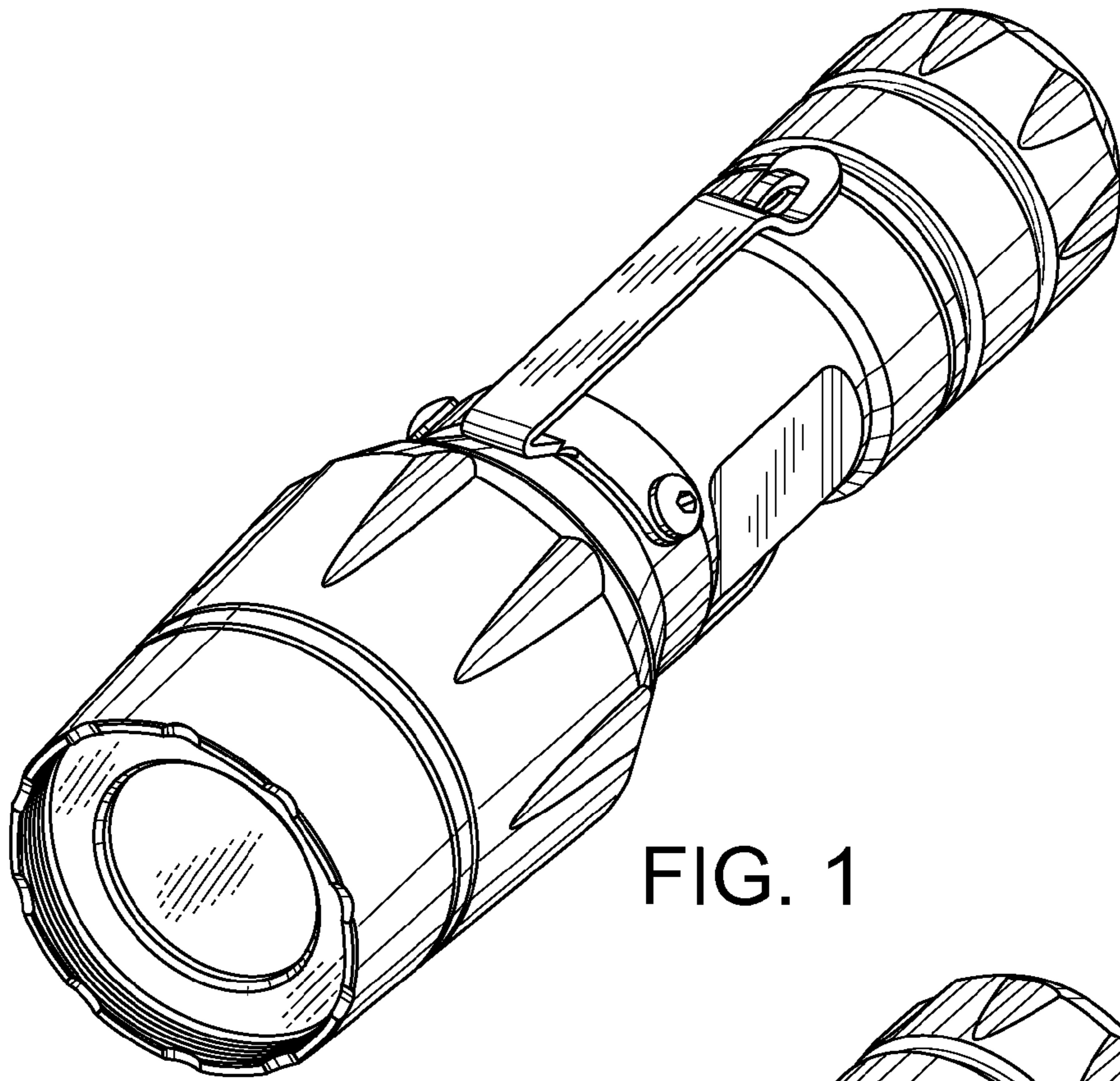


FIG. 1

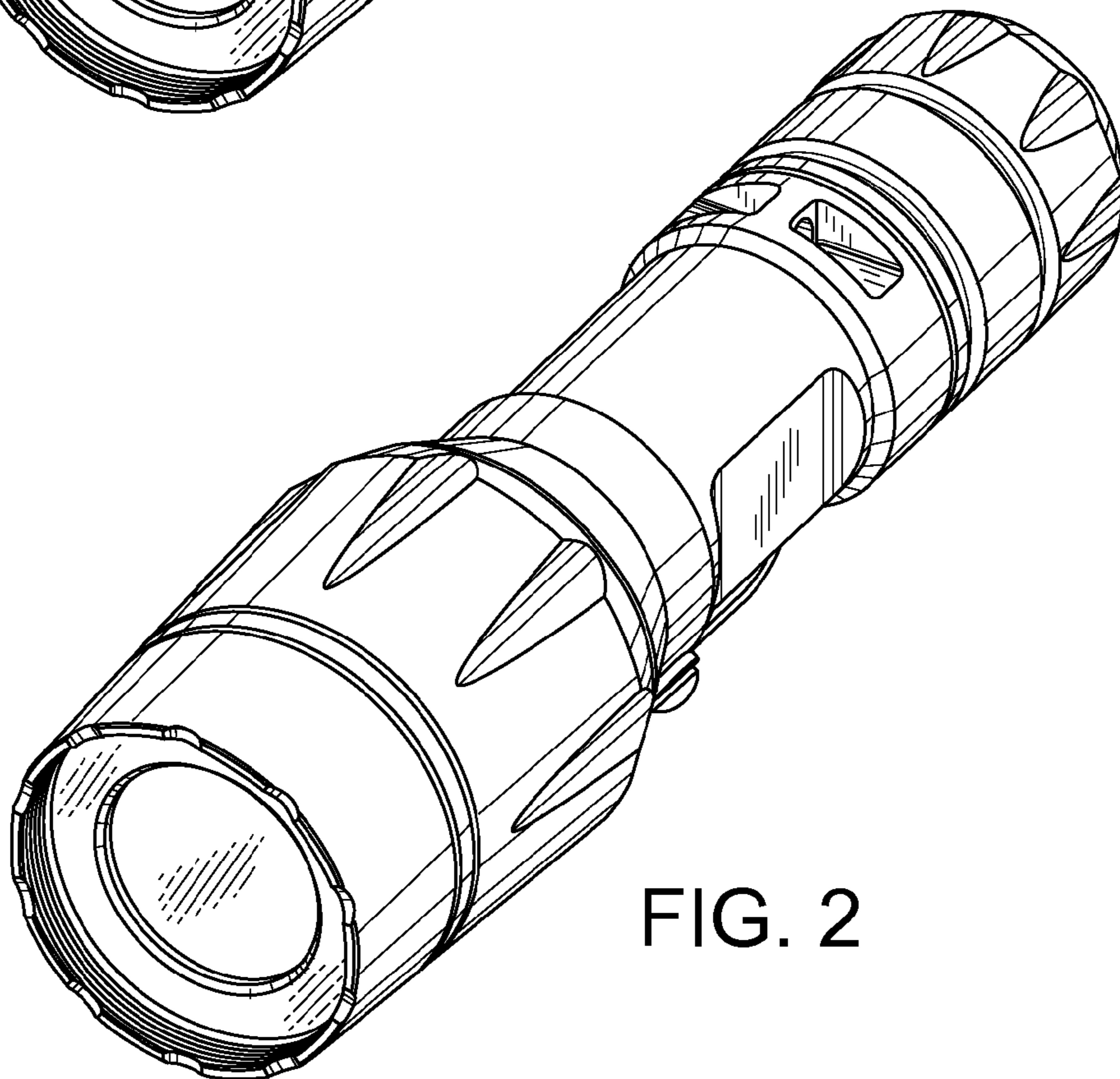


FIG. 2

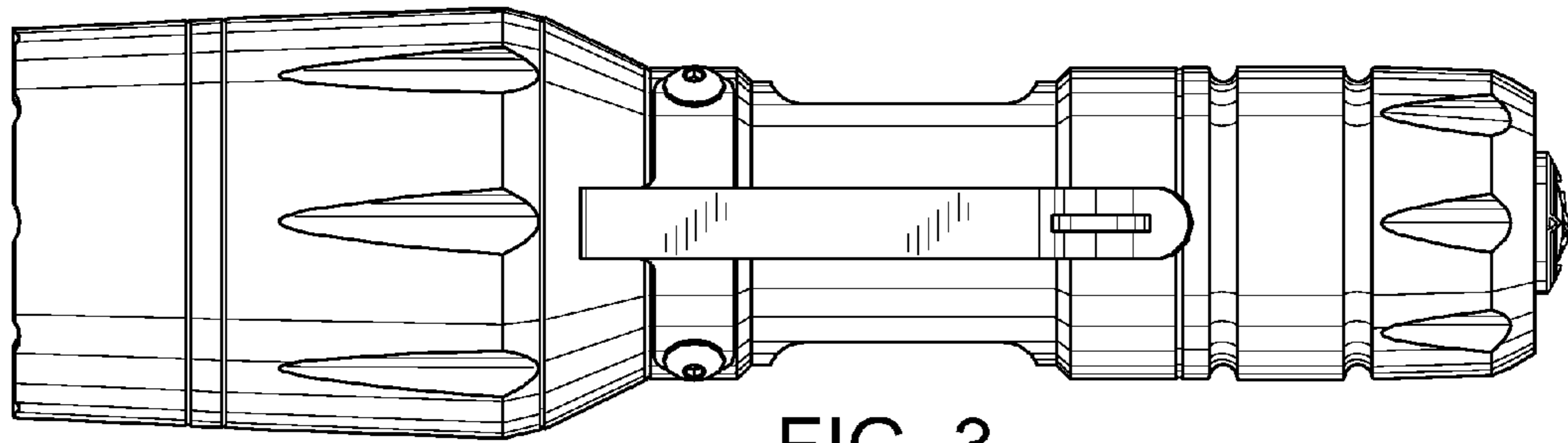


FIG. 3

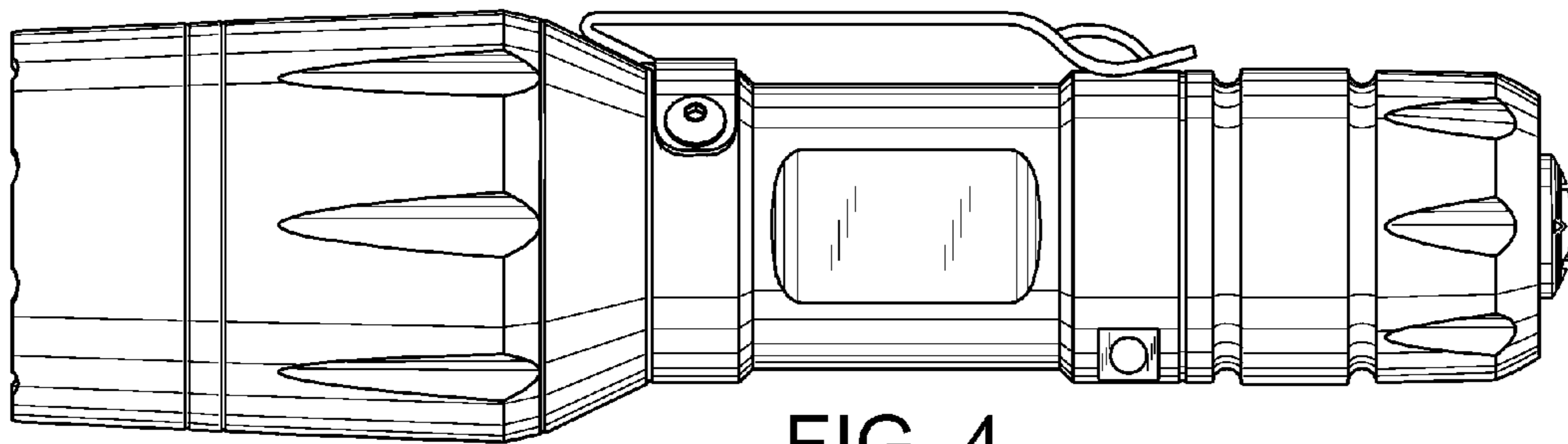


FIG. 4

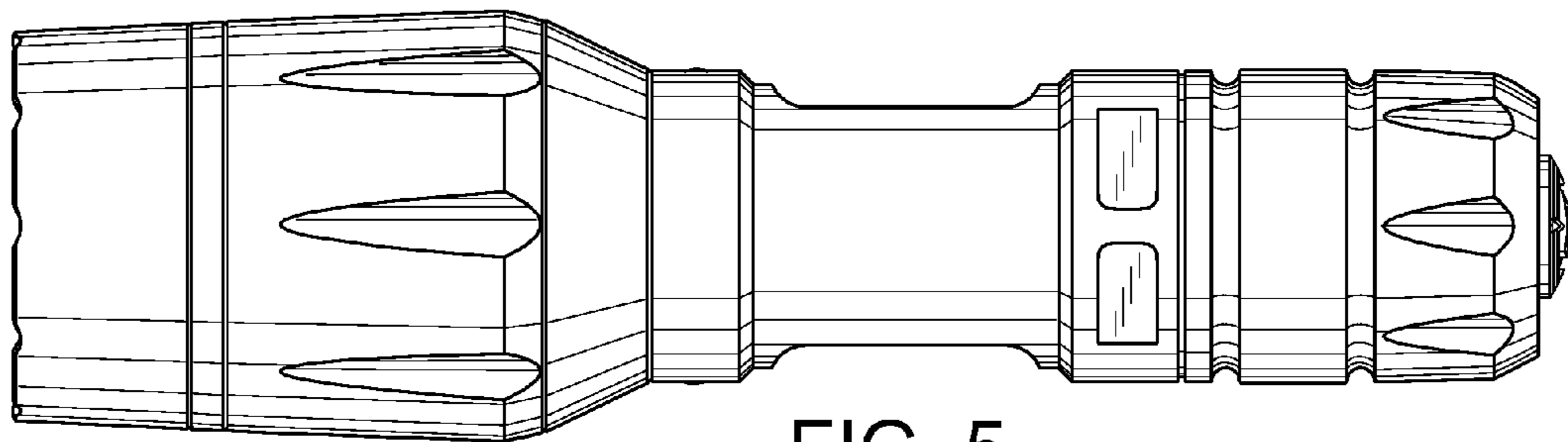


FIG. 5

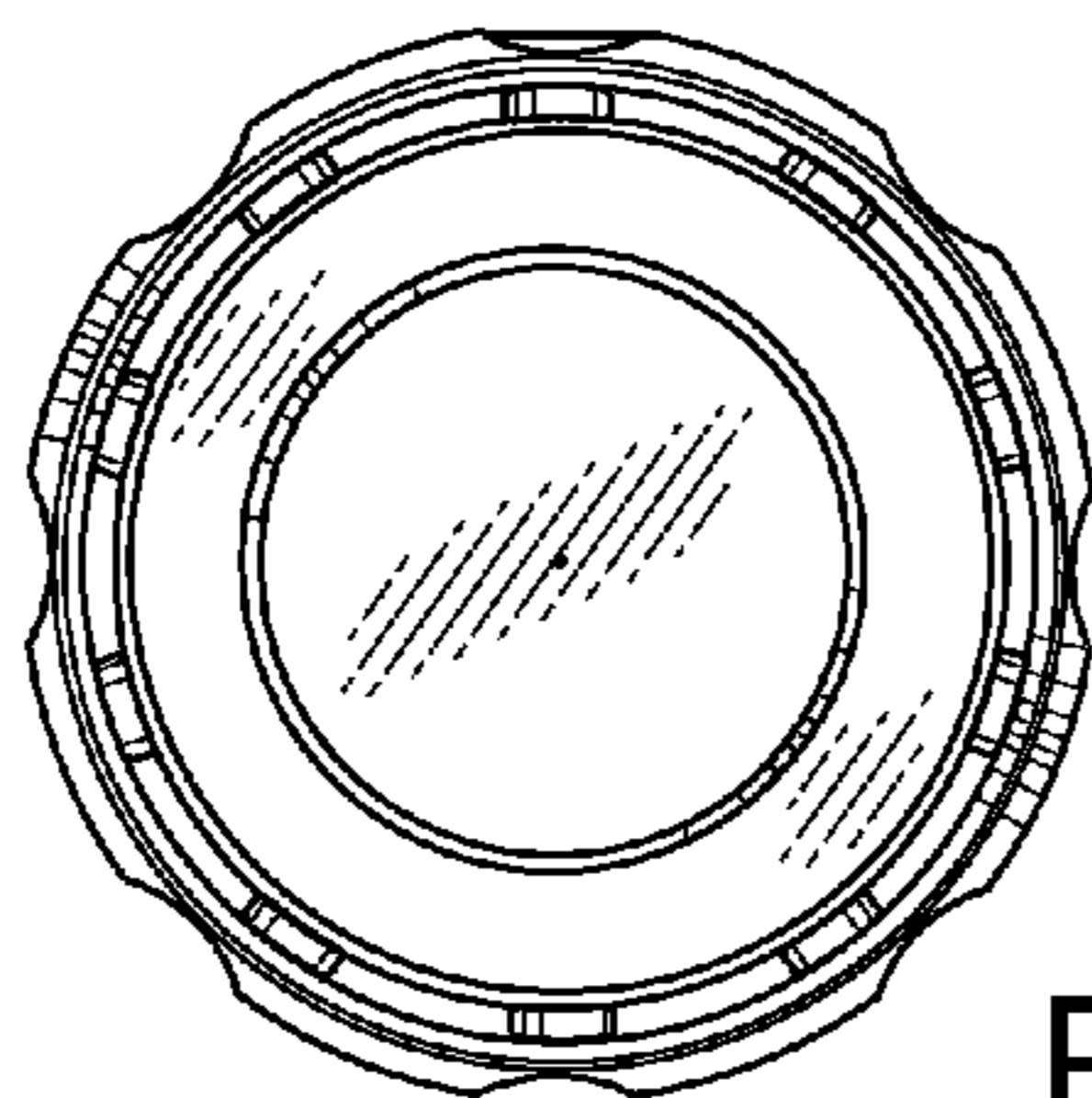


FIG. 6

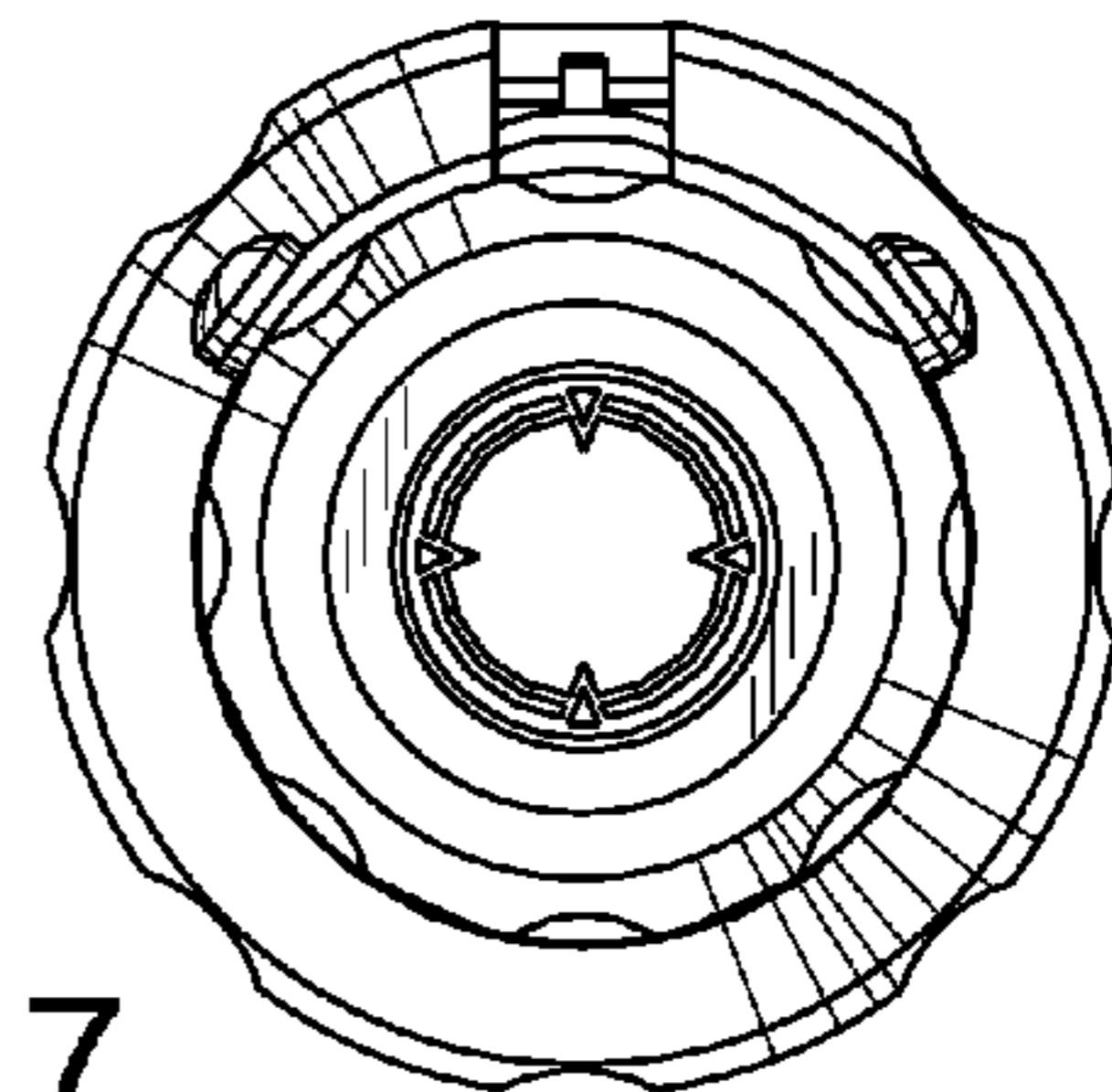


FIG. 7

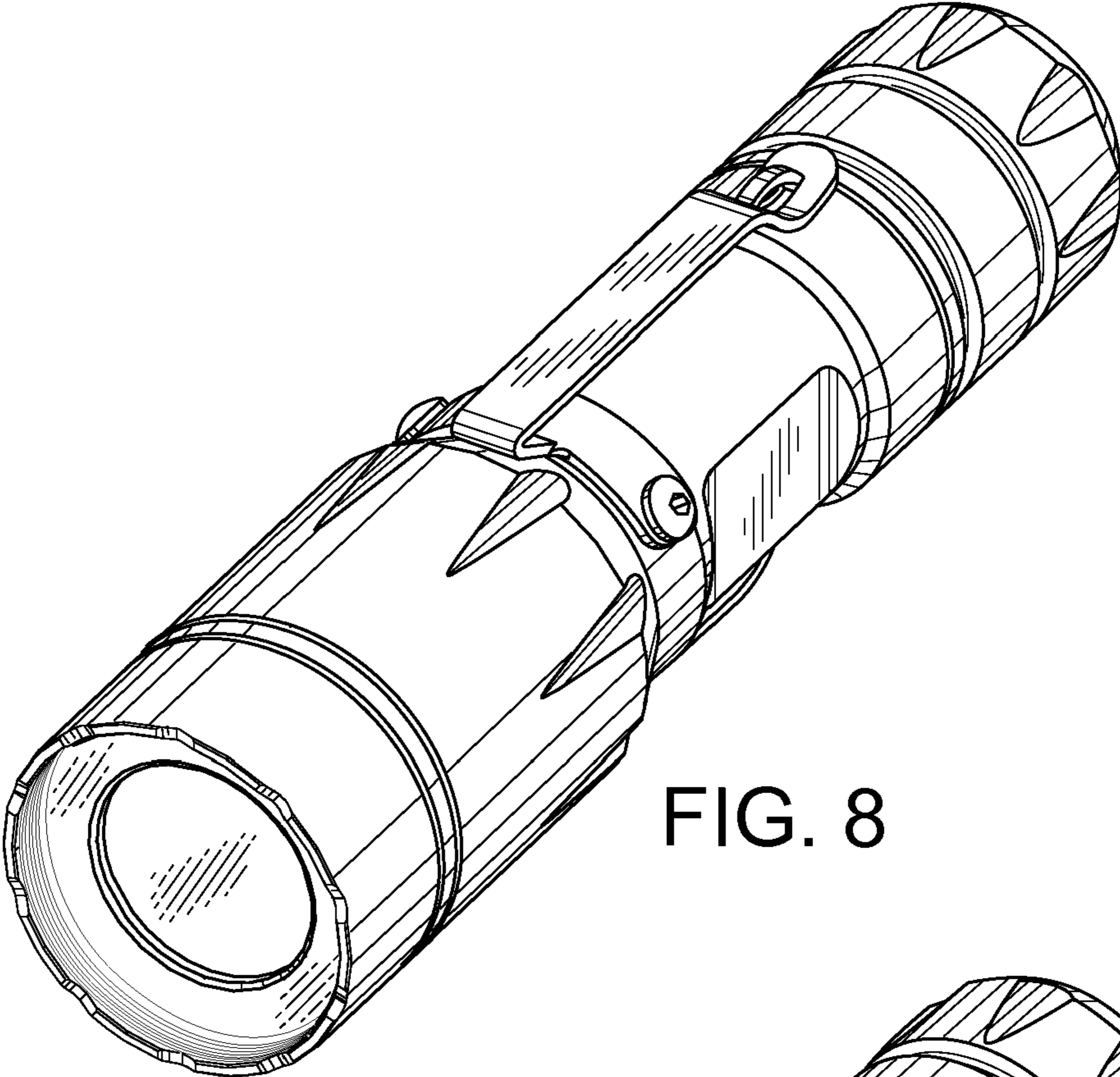


FIG. 8

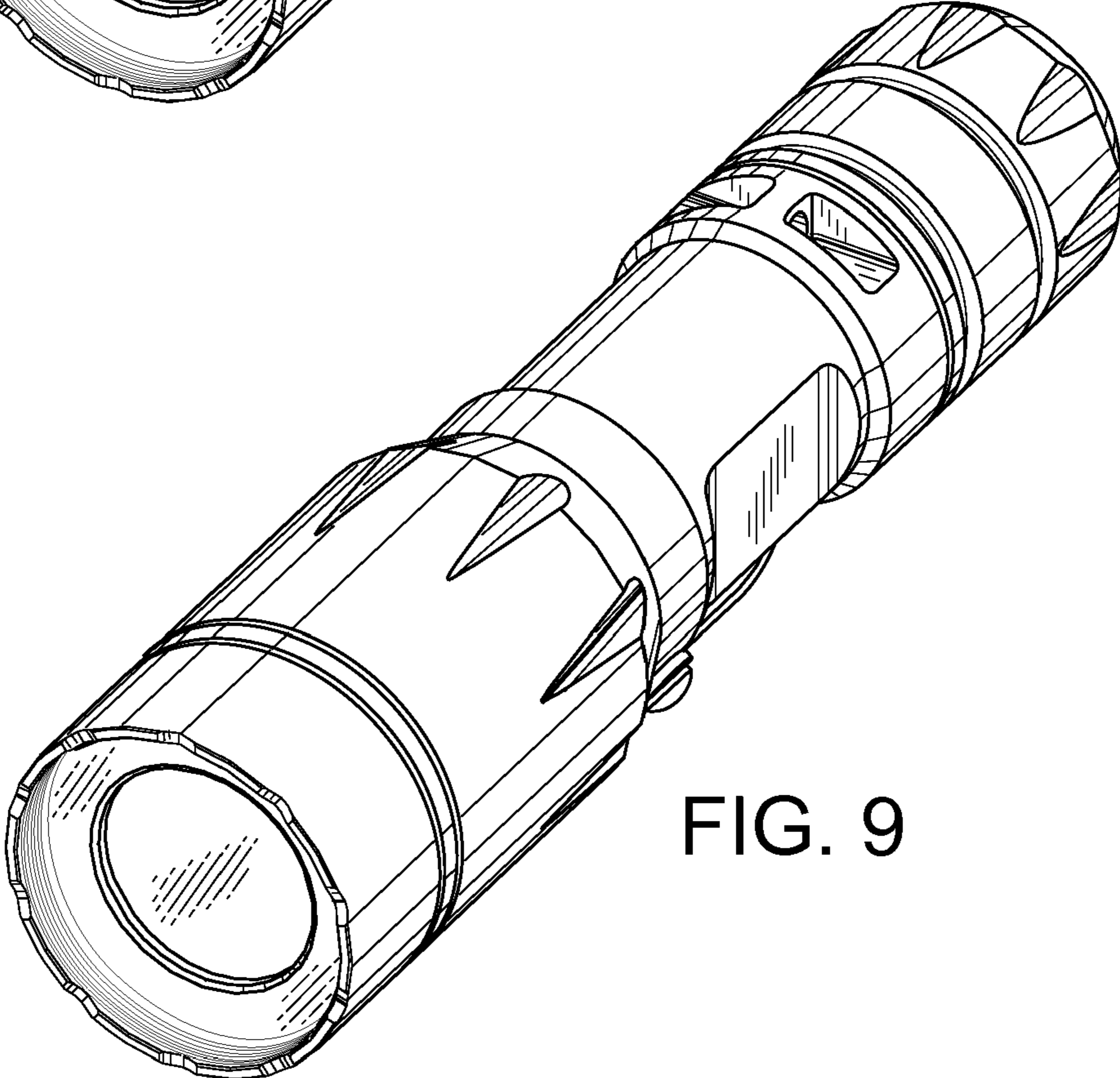


FIG. 9

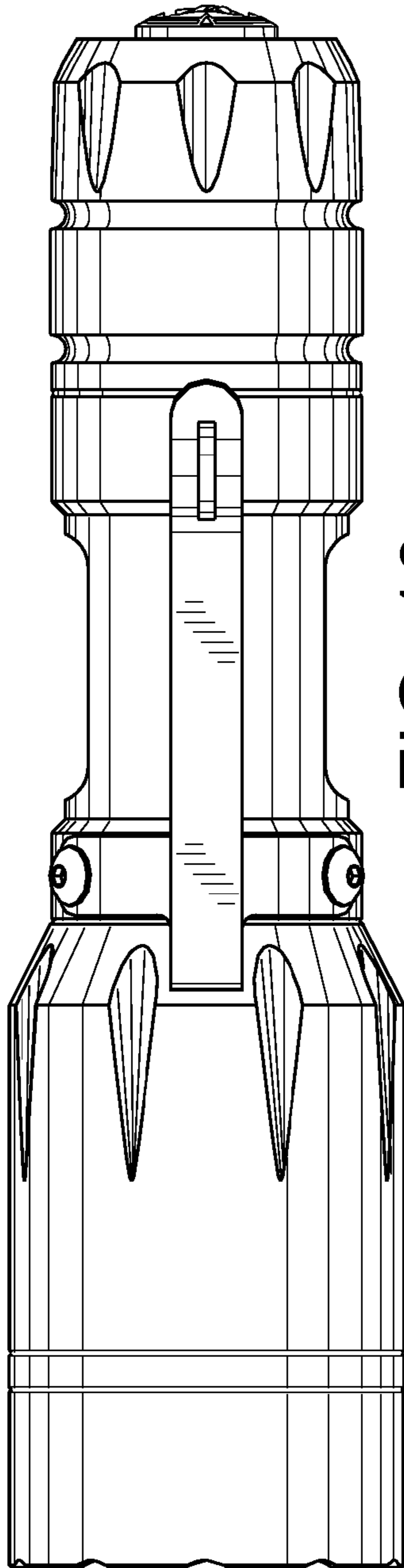


FIG. 10

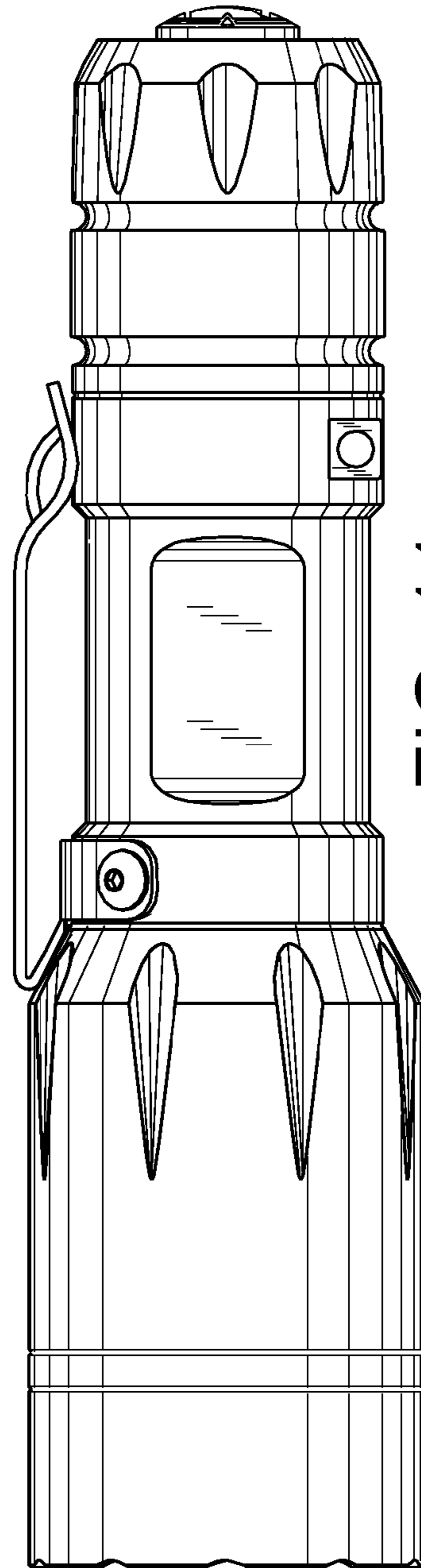


FIG. 11

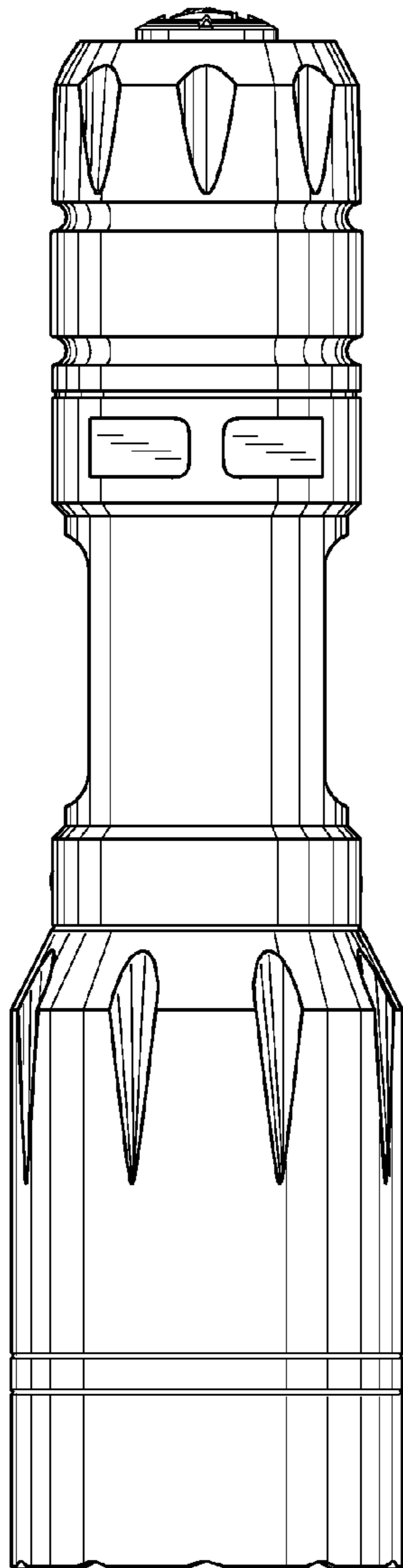


FIG. 12

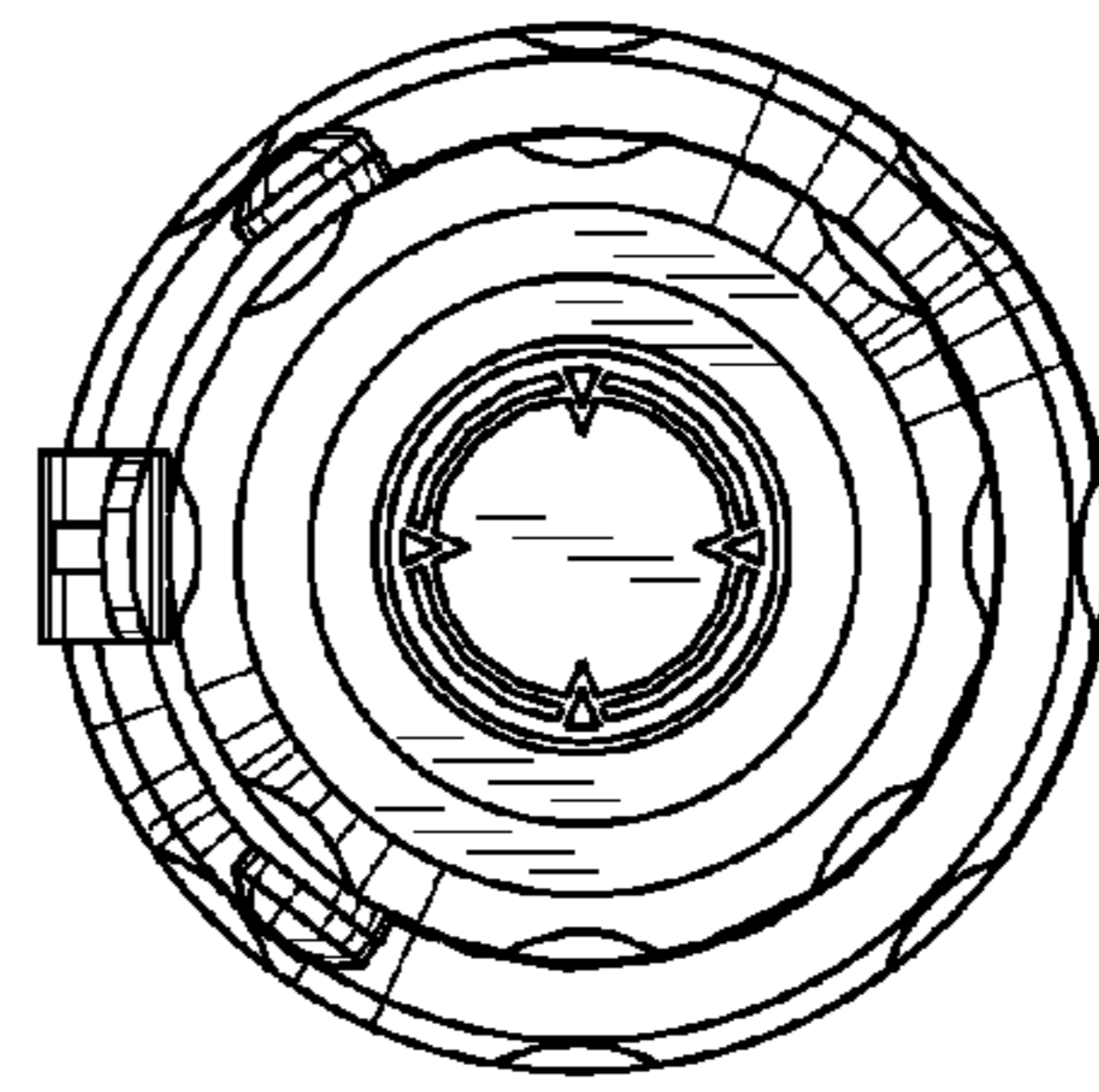


FIG. 14

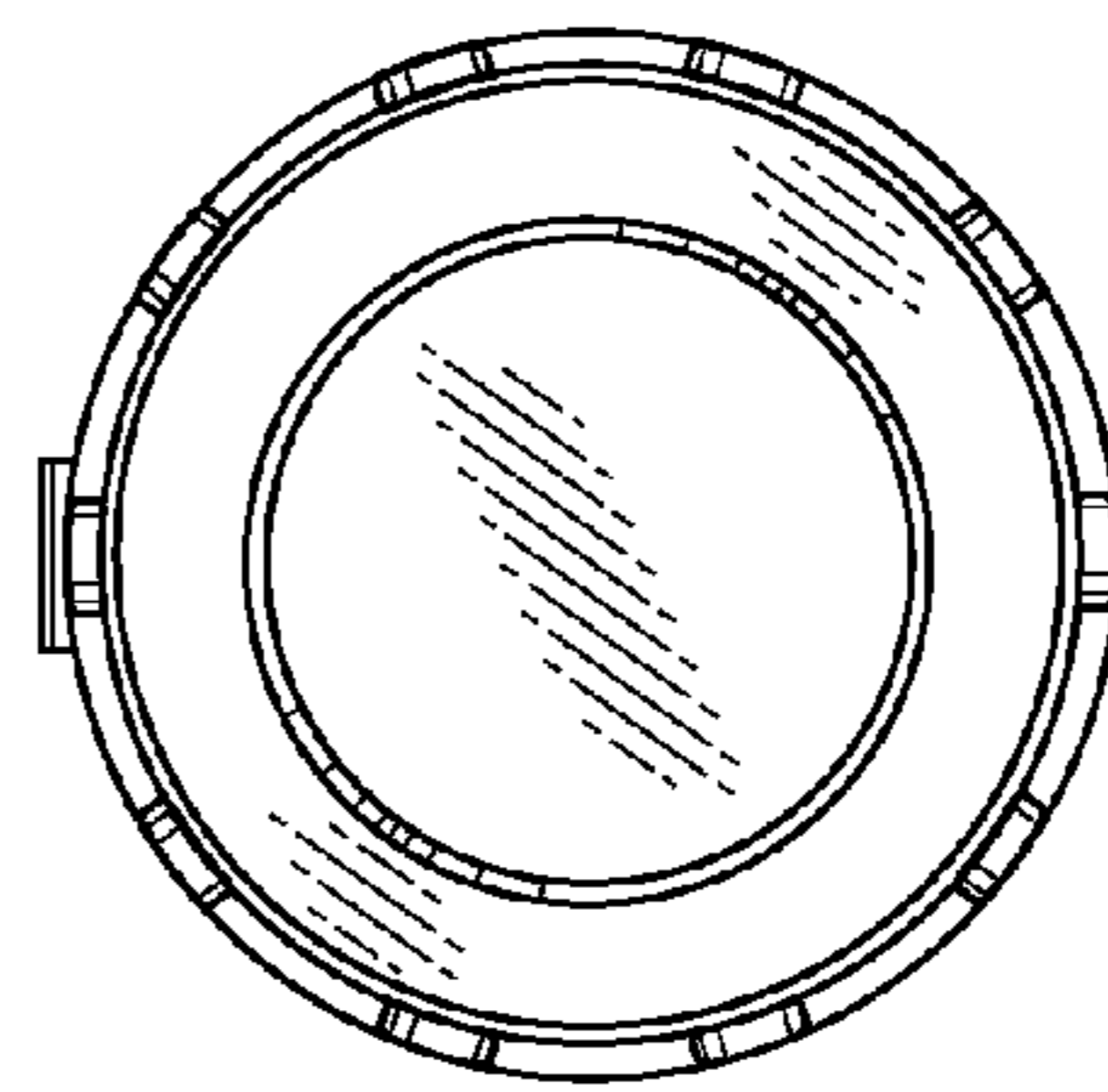


FIG. 13