

US00D590969S

(12) **United States Design Patent**  
**Mulla**

(10) **Patent No.:** **US D590,969 S**

(45) **Date of Patent:** **\*\* Apr. 21, 2009**

(54) **PARKING AND TURN SIGNAL LAMP**

D529,642 S \* 10/2006 Green ..... D26/31

(75) Inventor: **Ibrahim Hasan Mulla**, Mumbai (IN)

\* cited by examiner

(73) Assignee: **Mahindra & Mahindra Ltd.**, Mumbai  
Maharashtra (IN)

*Primary Examiner*—Marcus A. Jackson

(74) *Attorney, Agent, or Firm*—George W. Moxon, II;  
Roetzel & Andress LPA

(\*\*) Term: **14 Years**

(57) **CLAIM**

(21) Appl. No.: **29/324,912**

The ornamental design for a parking and turn signal lamp, as shown and described.

(22) Filed: **Sep. 23, 2008**

(30) **Foreign Application Priority Data**

Mar. 24, 2008 (IN) ..... 215437

(51) **LOC (9) Cl.** ..... **26-04**

(52) **U.S. Cl.** ..... **D26/31**

(58) **Field of Classification Search** ..... D26/28–36;  
362/459–468, 475–478, 485–487

See application file for complete search history.

(56) **References Cited**

**U.S. PATENT DOCUMENTS**

D280,666 S \* 9/1985 Haynes ..... D26/125

D483,891 S \* 12/2003 Suberi ..... D26/31

**DESCRIPTION**

FIG. 1 is a perspective view of the parking and turn signal lamp showing our new design;

FIG. 2 is a front view thereof;

FIG. 3 is a back view thereof;

FIG. 4 is a left view thereof;

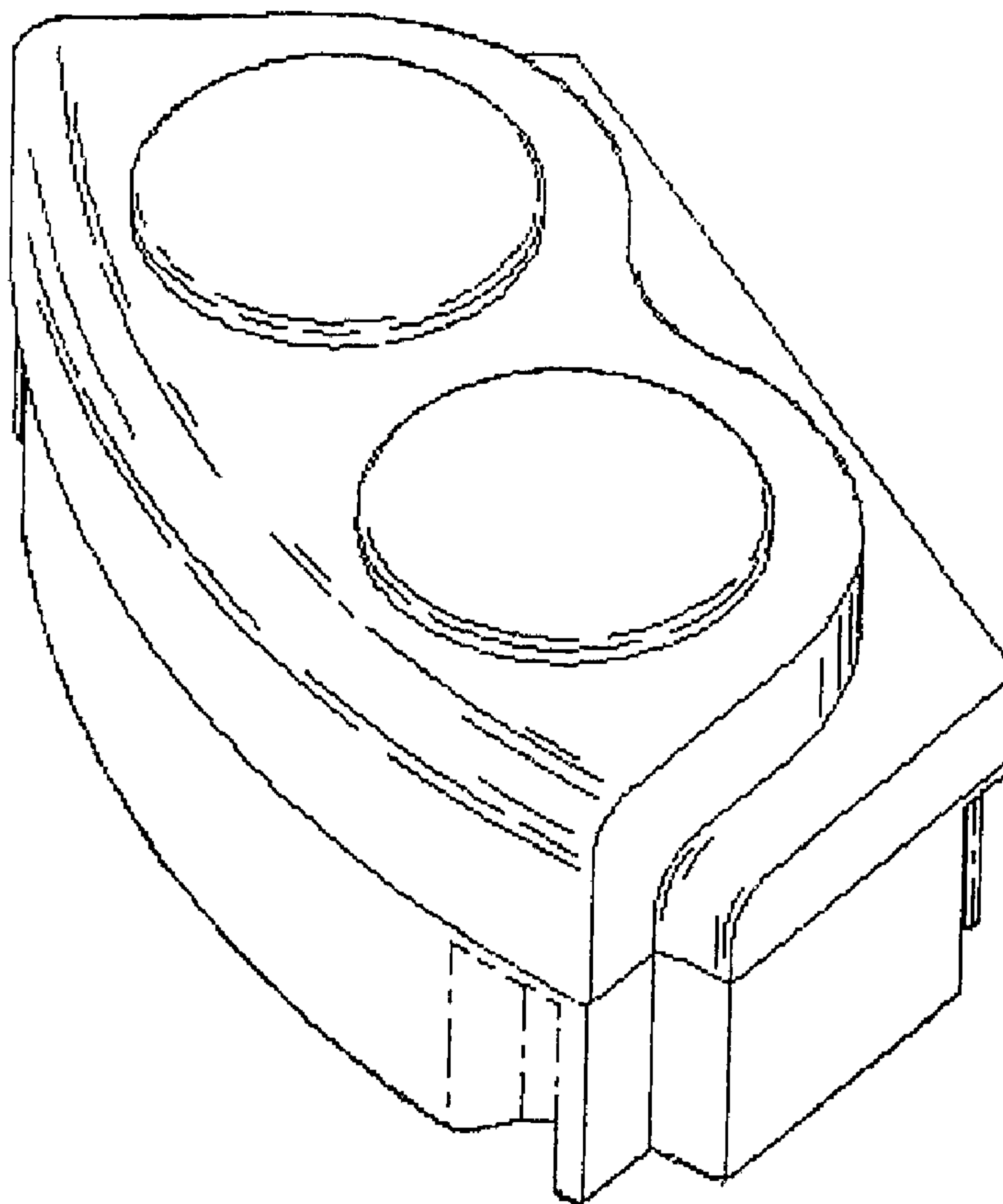
FIG. 5 is a right view thereof;

FIG. 6 is a top view thereof; and,

FIG. 7 is a bottom view thereof.

The broken line showing of parking and turn signal lamp and is included for the purpose of illustrating environmental structure and forms no part of the claimed design.

**1 Claim, 4 Drawing Sheets**



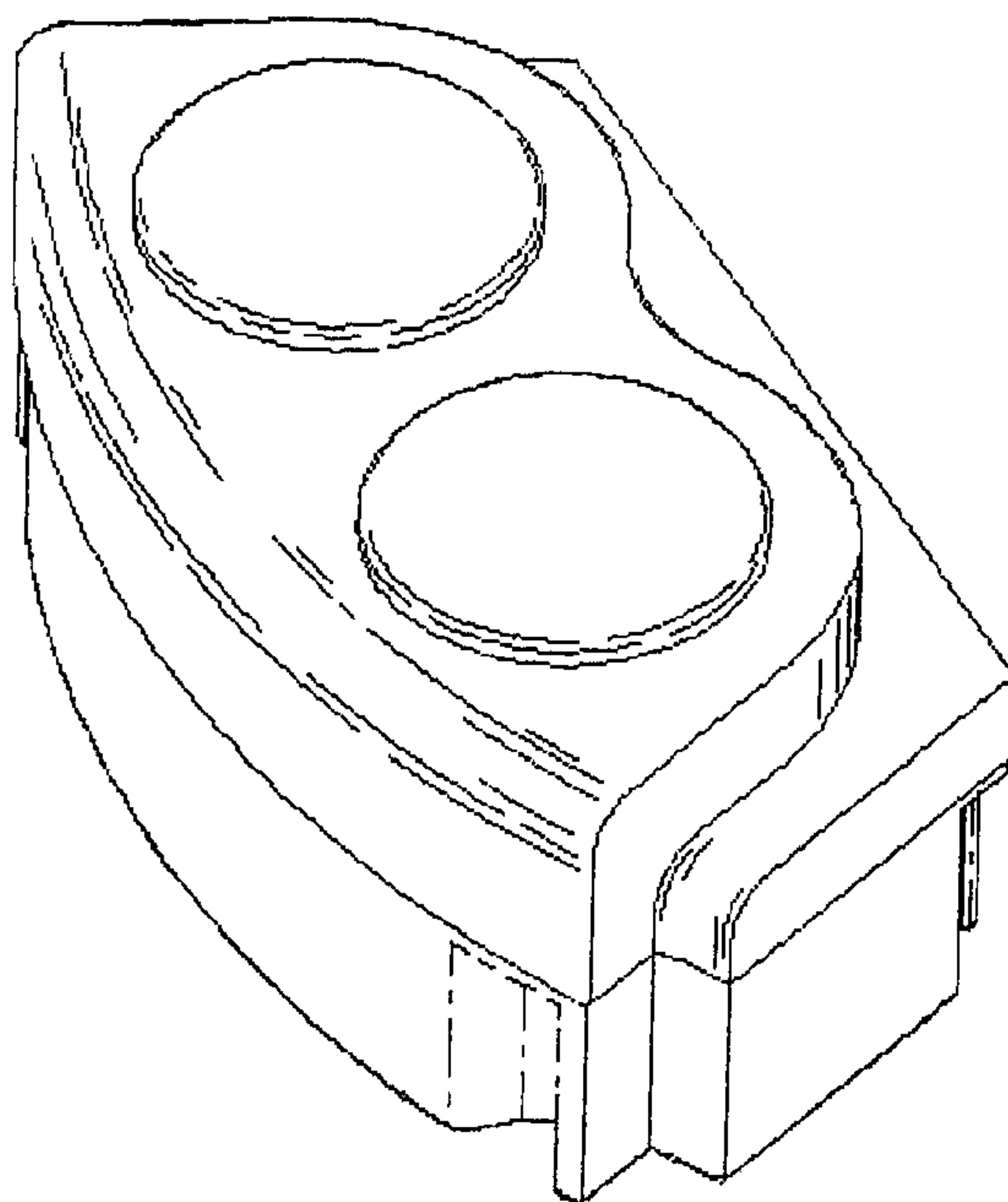


FIG. 1

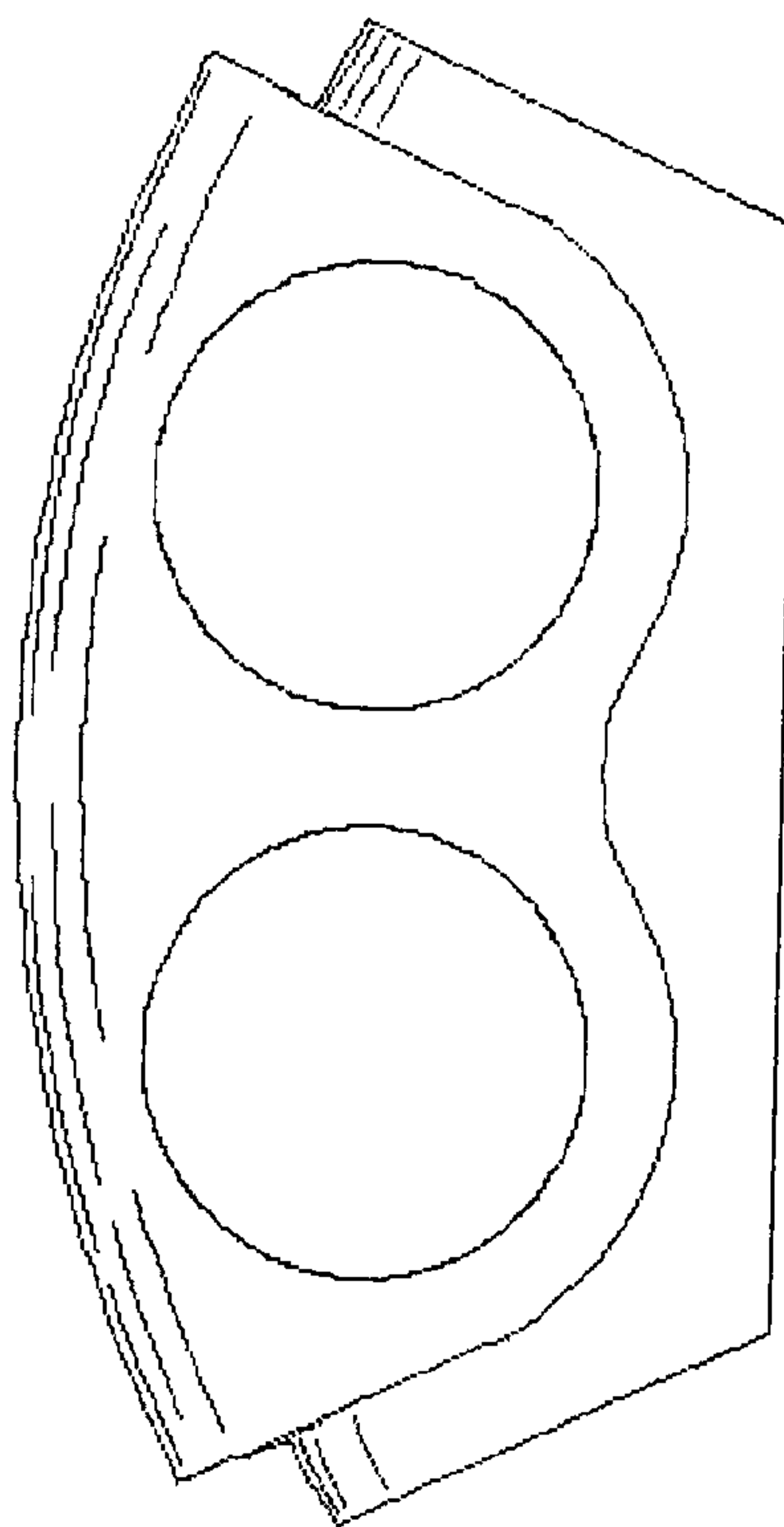


FIG. 2

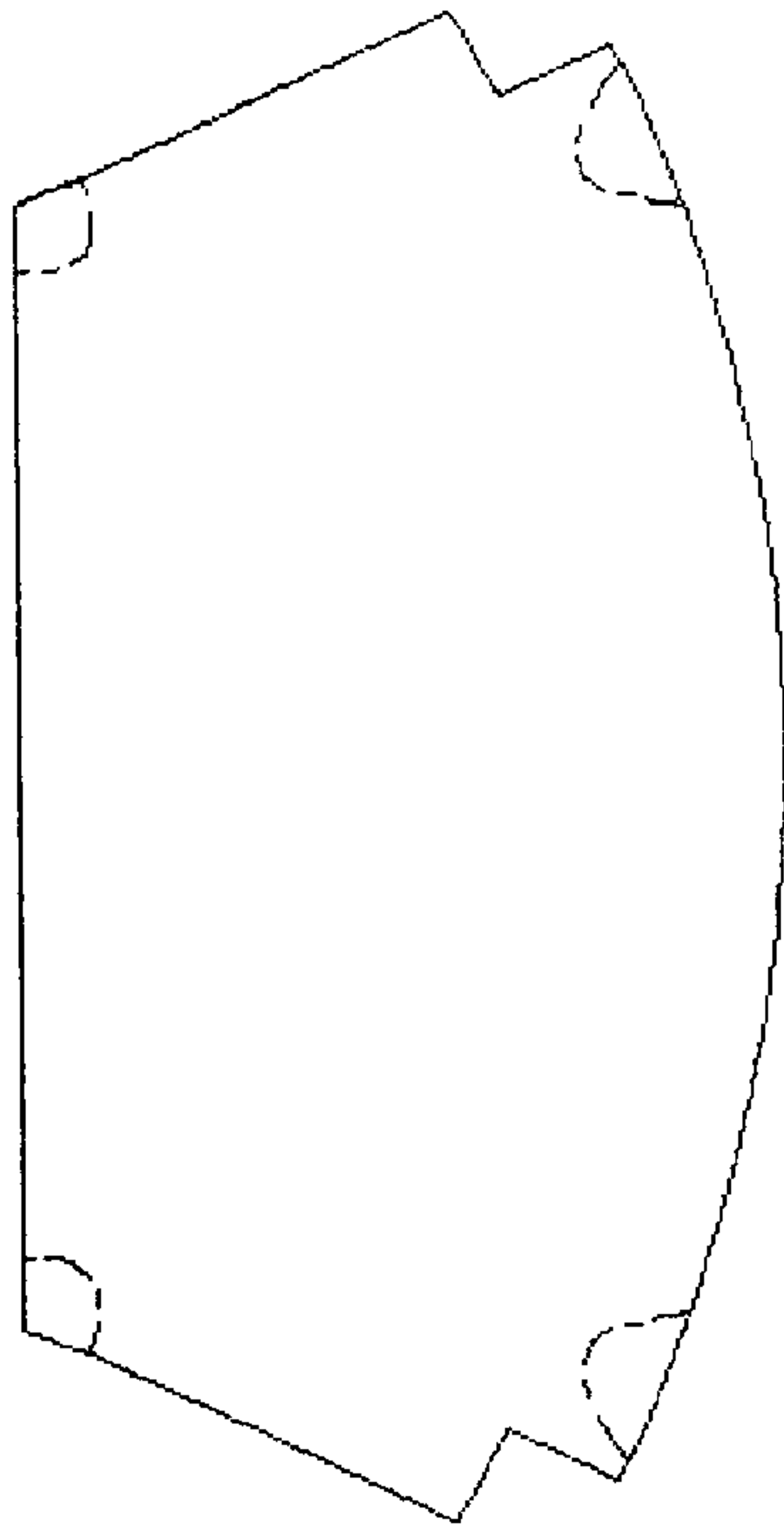


FIG. 3

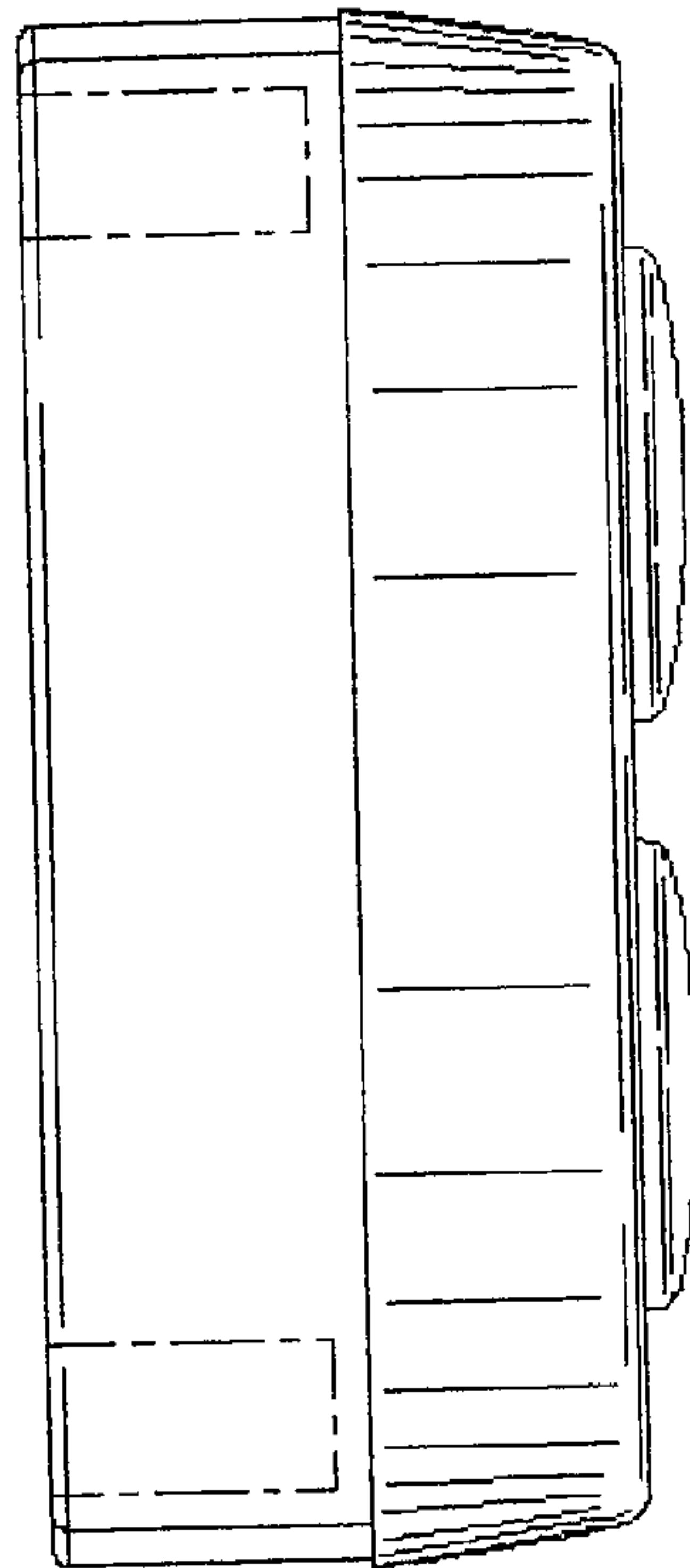


FIG. 4

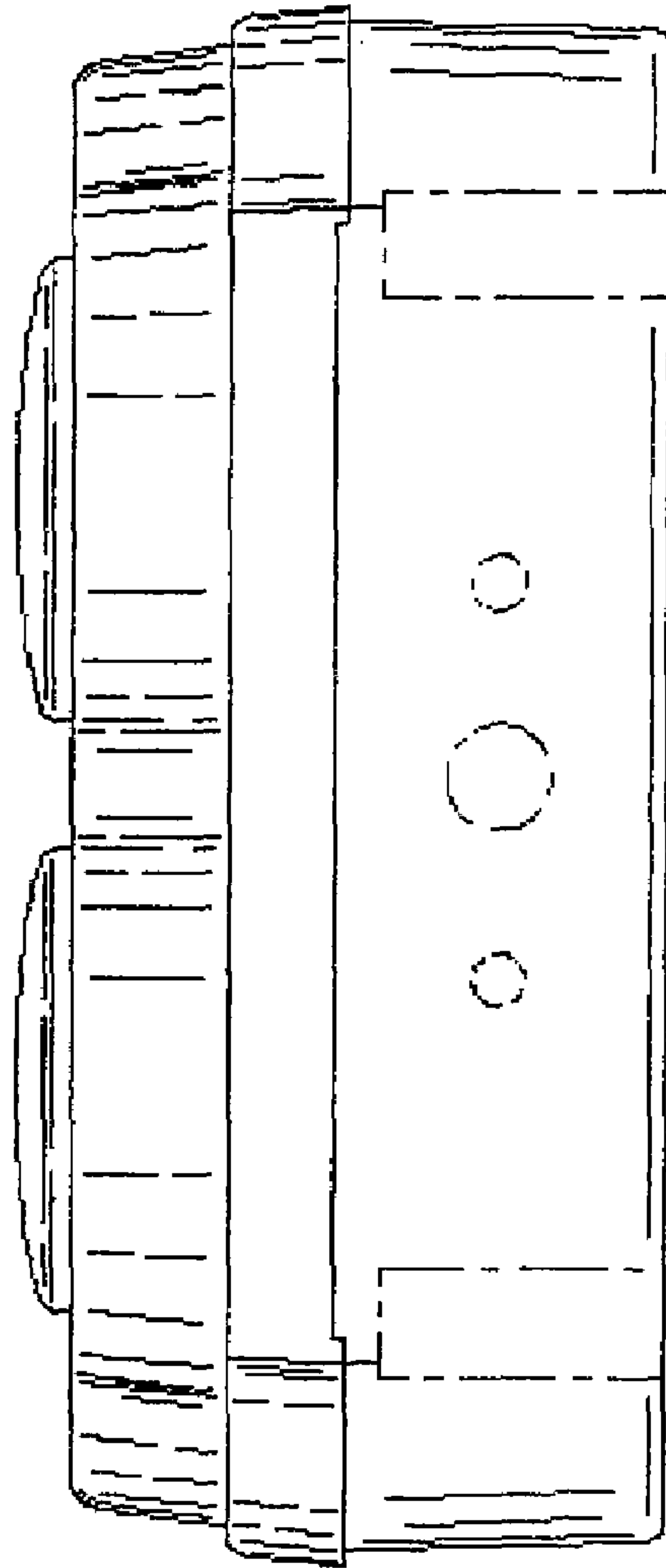


FIG. 5

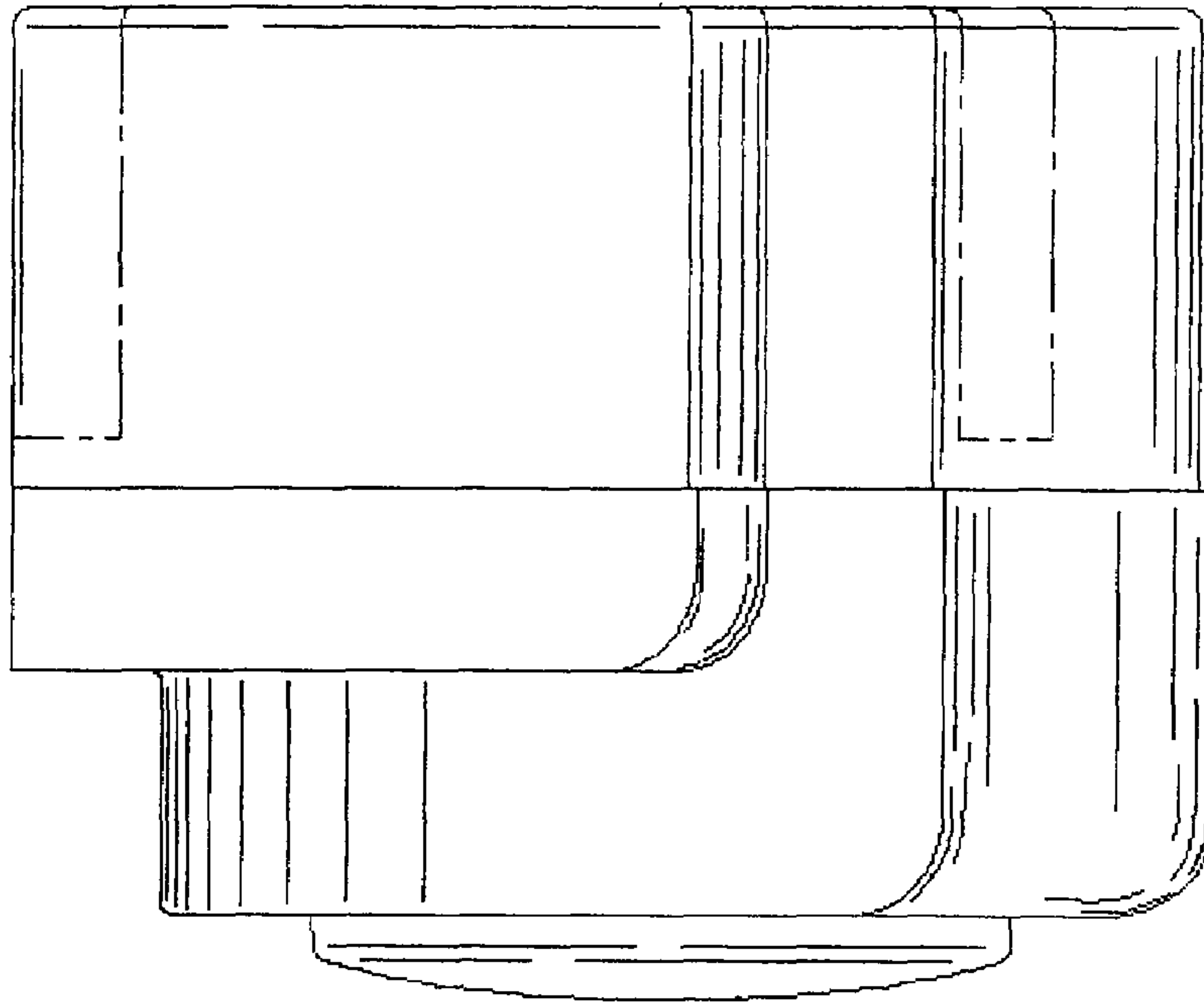


FIG. 6

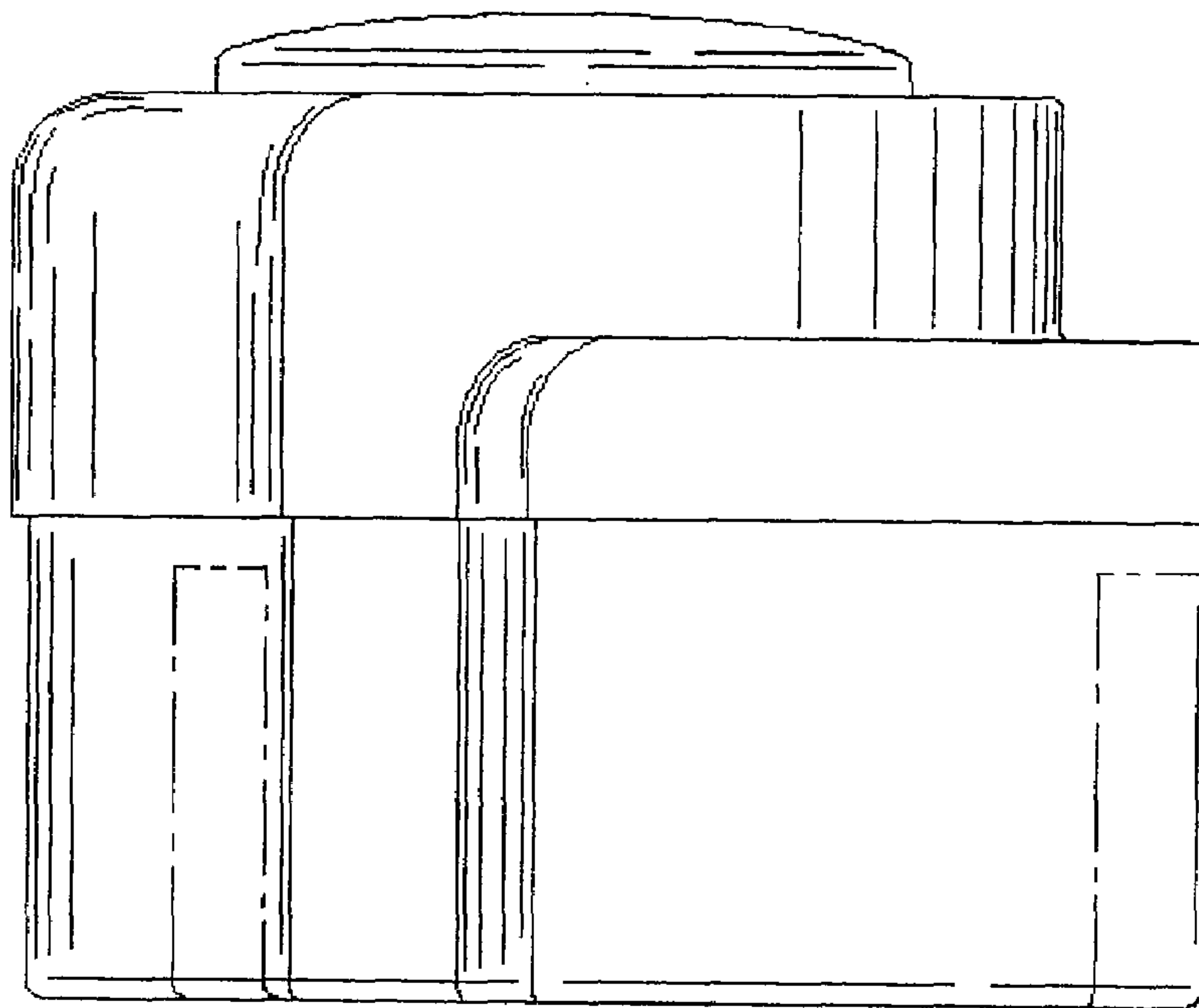


FIG. 7