

US00D590962S

(12) **United States Design Patent**  
**Campbell et al.**

(10) **Patent No.:** **US D590,962 S**  
(45) **Date of Patent:** **\*\* Apr. 21, 2009**

- (54) **WINDOW FRAME PROFILE**
- (75) Inventors: **David Campbell**, Orillia (CA); **Elias Mancebo**, Barrie (CA)
- (73) Assignee: **Royal Group, Inc.**, Atlanta, GA (US)
- (\*\*) Term: **14 Years**
- (21) Appl. No.: **29/304,611**
- (22) Filed: **Mar. 5, 2008**
- (51) **LOC (9) Cl.** ..... **25-01**
- (52) **U.S. Cl.** ..... **D25/124**
- (58) **Field of Classification Search** ..... D25/124, D25/125; 52/204.1, 204.5, 204.51, 656.5, 52/656.6, 656.2, 730.3; 49/501, 504, DIG. 2  
See application file for complete search history.

- D441,099 S 4/2001 Habeck et al.
- D441,103 S \* 4/2001 Habeck et al. .... D25/124
- D442,291 S 5/2001 Ballard et al.
- D444,894 S 7/2001 Marshall
- D449,389 S \* 10/2001 Goss ..... D25/124
- D452,575 S 12/2001 Edger
- D452,743 S \* 1/2002 Edger ..... D25/124
- D453,381 S 2/2002 Ballard et al.
- D453,575 S 2/2002 Scalzott
- D453,576 S 2/2002 Scalzott
- D453,844 S 2/2002 Scalzott
- D453,845 S 2/2002 Scalzott
- D453,846 S 2/2002 Scalzott
- D455,841 S 4/2002 Fisher et al.
- D458,690 S 6/2002 Roberts et al.
- D461,014 S 7/2002 Marshall
- D461,256 S 8/2002 Ballard et al.
- D461,570 S 8/2002 Ballard et al.
- D466,623 S 12/2002 Ballard et al.

(Continued)

(56) **References Cited**  
U.S. PATENT DOCUMENTS

- D311,961 S \* 11/1990 Westphal et al. .... D25/124
- 5,099,624 A 3/1992 Valentin
- 5,694,731 A \* 12/1997 Tonsmann et al. .... 52/204.1
- D402,054 S 12/1998 Leonelli
- D405,196 S 2/1999 Arcati et al.
- D406,653 S 3/1999 Morton et al.
- D412,585 S 8/1999 Arcati et al.
- D413,395 S 8/1999 Arcati et al.
- D417,919 S 12/1999 Hersh et al.
- 6,006,478 A 12/1999 Hubner et al.
- D435,918 S 1/2001 Hauberg et al.
- D436,190 S 1/2001 Ballard et al.
- D436,412 S 1/2001 Hauberg et al.
- D436,413 S 1/2001 Habeck et al.
- D438,644 S 3/2001 Habeck et al.
- D438,989 S 3/2001 Ballard et al.
- D439,679 S 3/2001 Ballard et al.
- D440,323 S 4/2001 Habeck et al.
- D440,324 S 4/2001 Habeck et al.
- D440,664 S 4/2001 Habeck et al.
- D440,665 S 4/2001 Habeck et al.
- D440,669 S 4/2001 Habeck et al.

*Primary Examiner*—Doris Clark  
(74) *Attorney, Agent, or Firm*—Hunton & Williams LLP

(57) **CLAIM**

We claim the ornamental design for a window frame profile, as shown and described.

**DESCRIPTION**

FIG. 1 is a fragmentary top right isometric view of a window frame profile showing the claimed design.

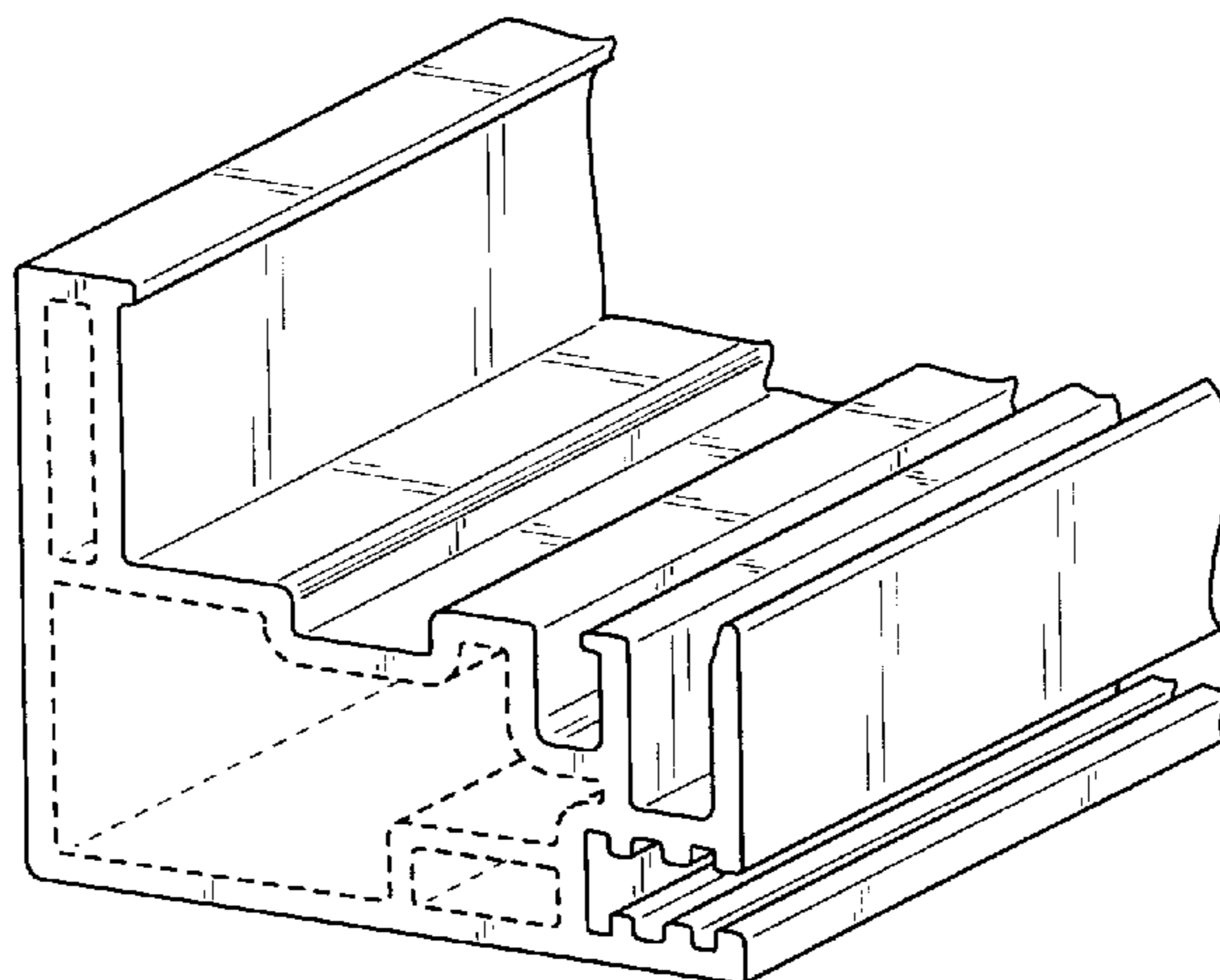
FIG. 2 is a fragmentary bottom left isometric view of the window frame profile of FIG. 1; and,

FIG. 3 is an end elevation view of the window frame profile of FIG. 1.

The claimed design is broken on the end to indicate indeterminate length.

The broken lines are for illustrative purposes only and form no part of the claimed design.

**1 Claim, 3 Drawing Sheets**



# US D590,962 S

Page 2

---

## U.S. PATENT DOCUMENTS

D466,627 S	12/2002	Morton et al.	D546,978 S	7/2007	Ye	
D467,355 S	12/2002	Ballard et al.	D546,979 S	7/2007	Ye	
D471,647 S	3/2003	Chaney et al.	D550,862 S	9/2007	Brabeck et al.	
D495,430 S	8/2004	Franson	D552,260 S	10/2007	Franson	
D496,742 S	9/2004	Franson	D552,261 S	10/2007	Wickland	
D500,561 S	1/2005	Franson	D552,262 S	10/2007	Wickland	
6,857,232 B2	2/2005	Bealko	D552,761 S	10/2007	Wickland	
D502,555 S	3/2005	Fannan	D552,762 S	10/2007	Wickland	
D505,503 S	5/2005	Wickland	D552,763 S	10/2007	Wickland	
D537,540 S	2/2007	Franson	D552,764 S	10/2007	Wickland	
D539,932 S	4/2007	Fannan	D553,262 S	10/2007	Wickland	
D541,954 S	5/2007	Allen et al.	D553,762 S	10/2007	Schrader	
D542,422 S	5/2007	Franson	D554,776 S	11/2007	Fannan	
D546,975 S	7/2007	Allen et al.	2003/0159374 A1	8/2003	Burgess	
D546,976 S	7/2007	Ye	2004/0000093 A1	1/2004	Guelck	
D546,977 S	7/2007	Ye	2005/0028459 A1 *	2/2005	Crandell et al. ....	52/204.5

\* cited by examiner

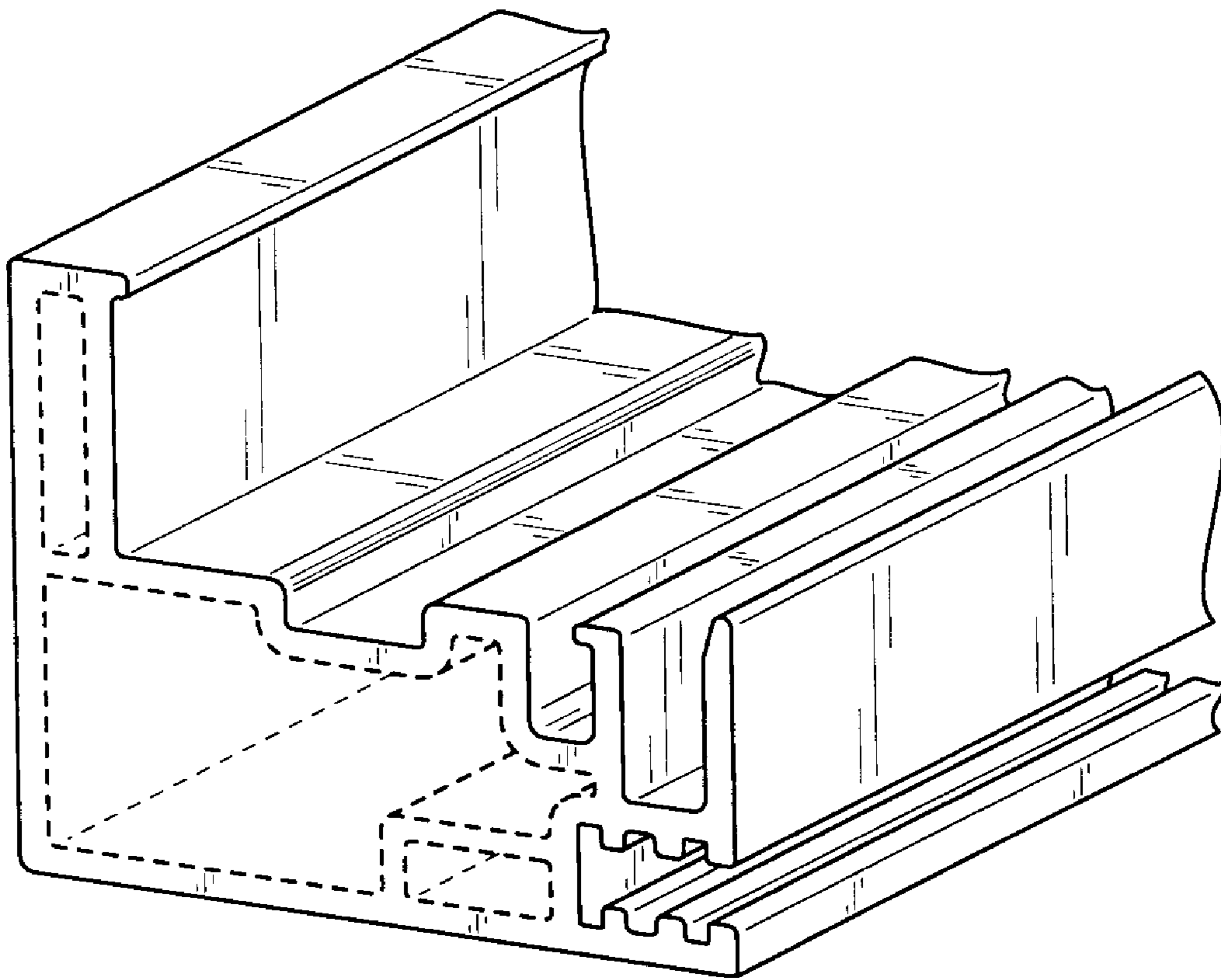


FIG. 1

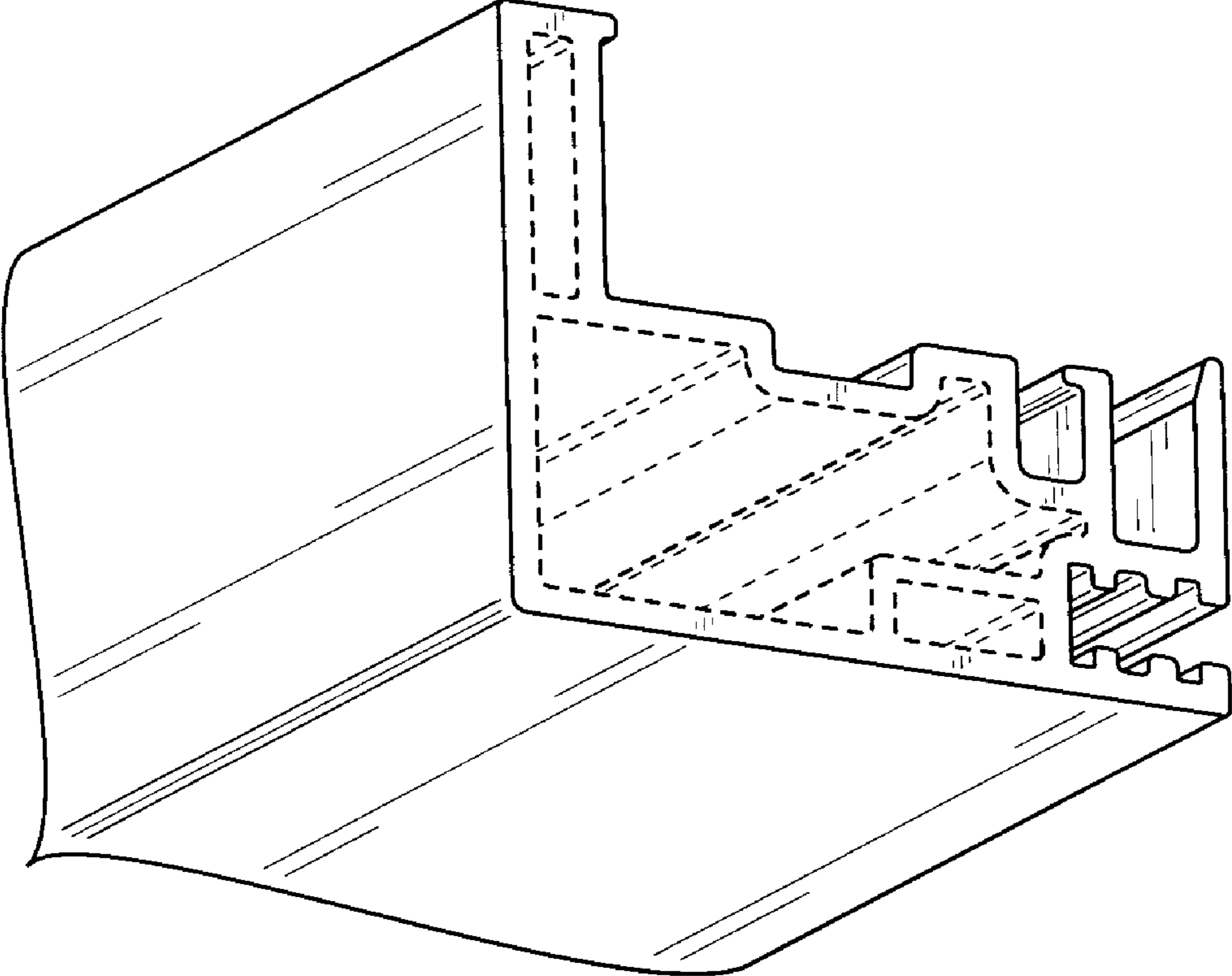


FIG. 2

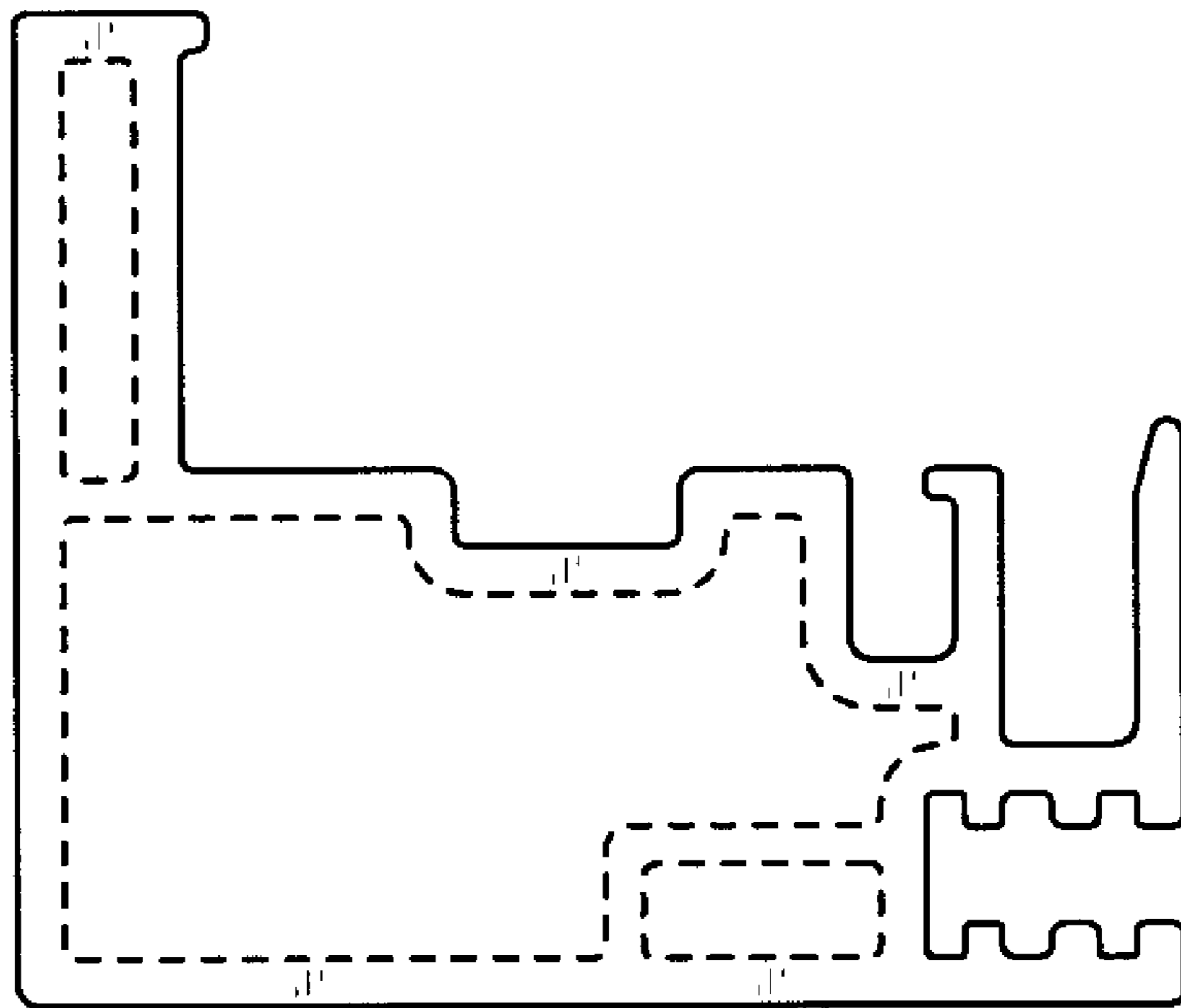


FIG. 3