



US00D590954S

(12) **United States Design Patent**  
**Sauermann**

(10) **Patent No.:** **US D590,954 S**

(45) **Date of Patent:** **\*\* Apr. 21, 2009**

(54) **INDOOR GREENHOUSE**

(76) Inventor: **Denis Sauermann**,  
Liselotte-Herrmann-Str. 31, Berlin (DE)  
10407

(\*\*) Term: **14 Years**

(21) Appl. No.: **29/284,217**

(22) Filed: **Sep. 4, 2007**

(51) **LOC (9) Cl.** ..... **12-09**

(52) **U.S. Cl.** ..... **D25/15**

(58) **Field of Classification Search** ..... D25/1,  
D25/15-16, 55-60; 135/116, 119, 157, 901,  
135/907-908; 52/36.1-36.2; 47/17; 4/597  
See application file for complete search history.

(56) **References Cited**

**U.S. PATENT DOCUMENTS**

- 4,926,893 A \* 5/1990 Klopfenstein et al. .... 135/157
- D489,460 S \* 5/2004 Gardner et al. .... D25/16
- 2008/0216398 A1 \* 9/2008 Townsley ..... 47/17

\* cited by examiner

*Primary Examiner*—T. Chase Nelson

*Assistant Examiner*—Kathleen M Sims

(74) *Attorney, Agent, or Firm*—Eric Hanscom; Todd Langford

(57) **CLAIM**

I claim the ornamental design for an indoor greenhouse, as shown and described.

**DESCRIPTION**

FIG. 1 is a perspective view of an indoor greenhouse with the cover in an open position showing my new design;

FIG. 2 is a front and back view thereof, as they are designed to be the same, with the cover in a closed position;

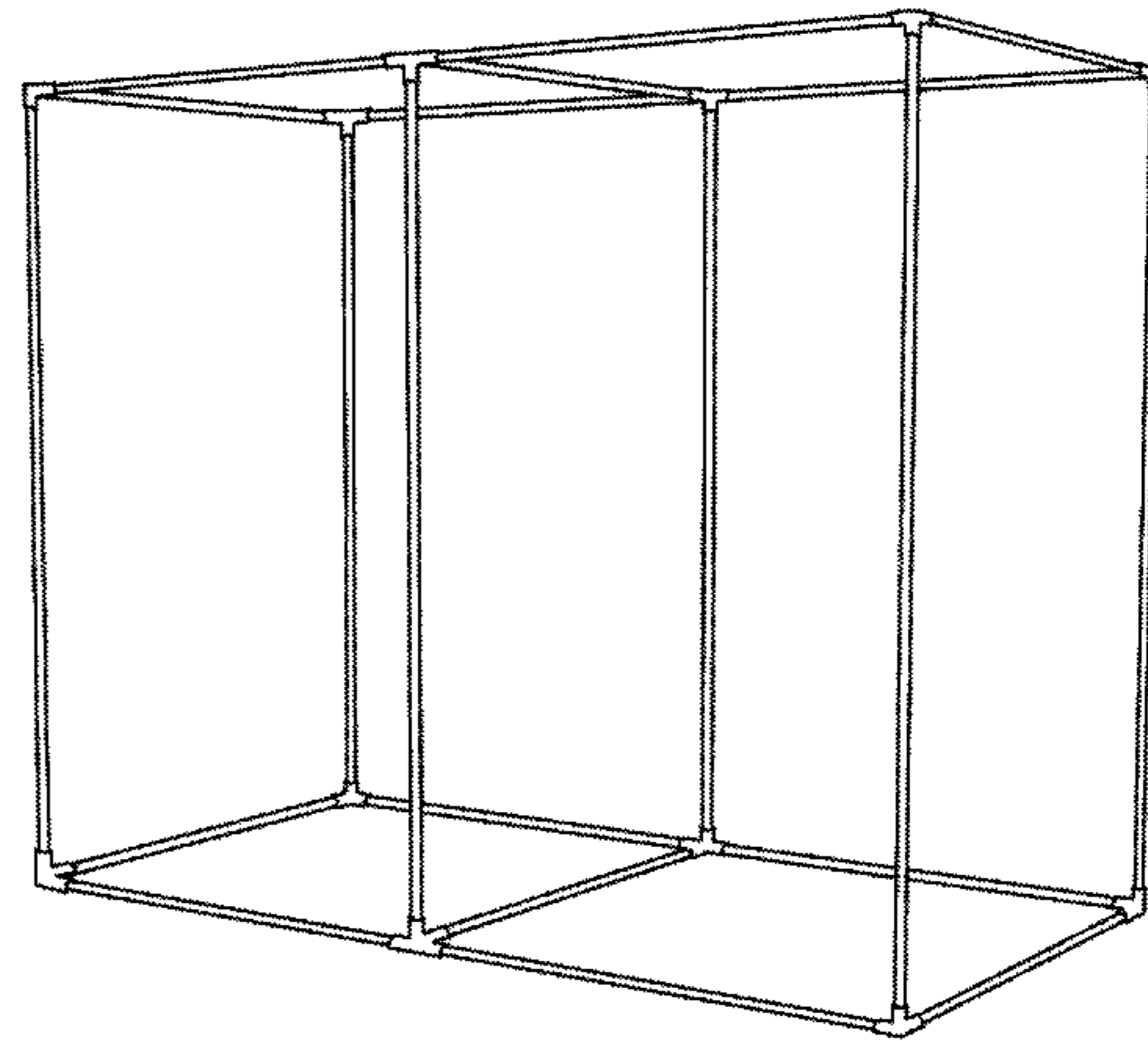
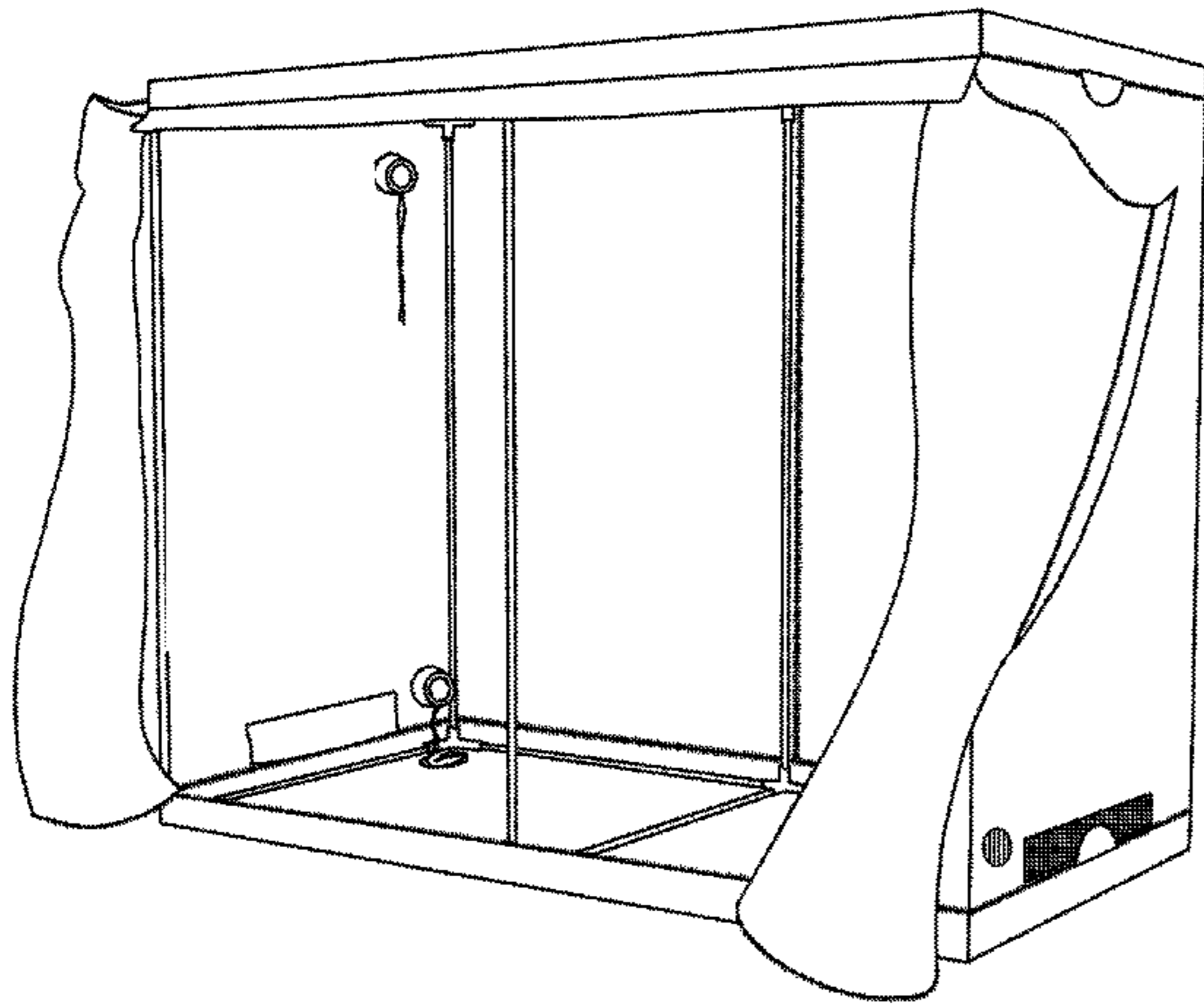
FIG. 3 is a left-side and right-side view thereof, as they are designed to be the same;

FIG. 4 is a top view thereof; and,

FIG. 5 is a perspective view of the structure of the indoor greenhouse without the enclosing cover.

The tooth-like lines shown in FIGS. 1-3 represent zippers, forming part of the claimed design.

**1 Claim, 5 Drawing Sheets**



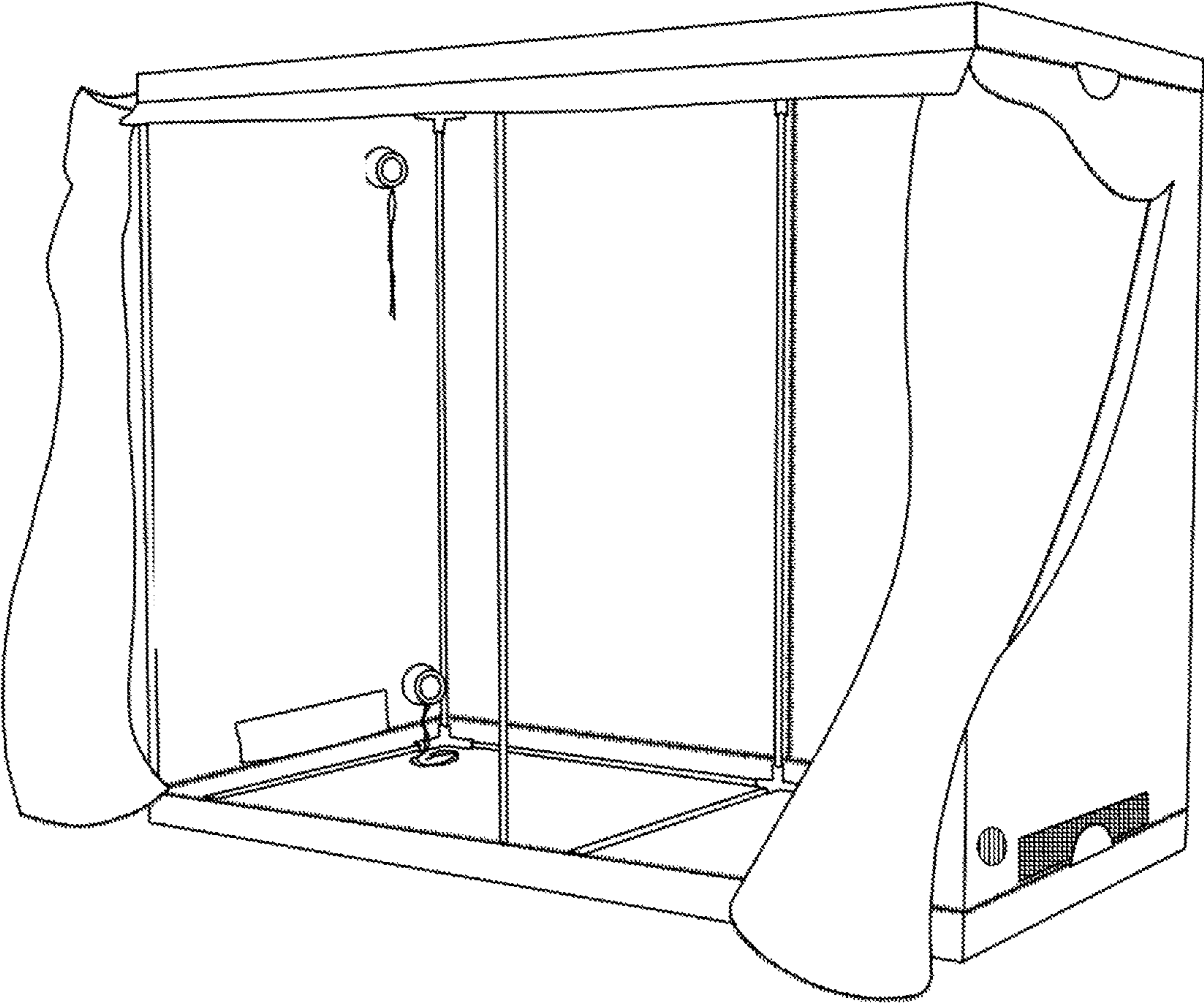


Figure 1

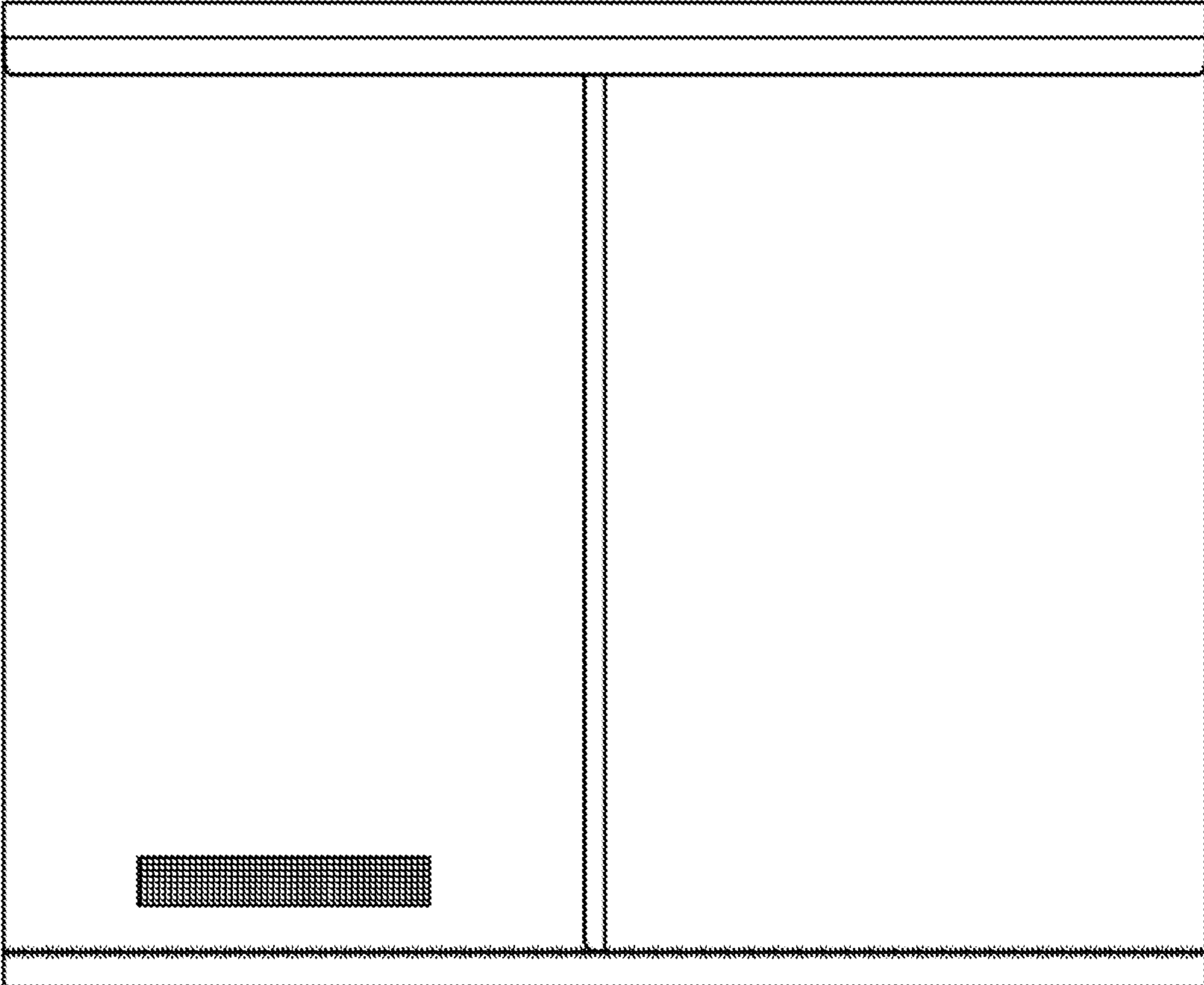


Figure 2



Figure 3

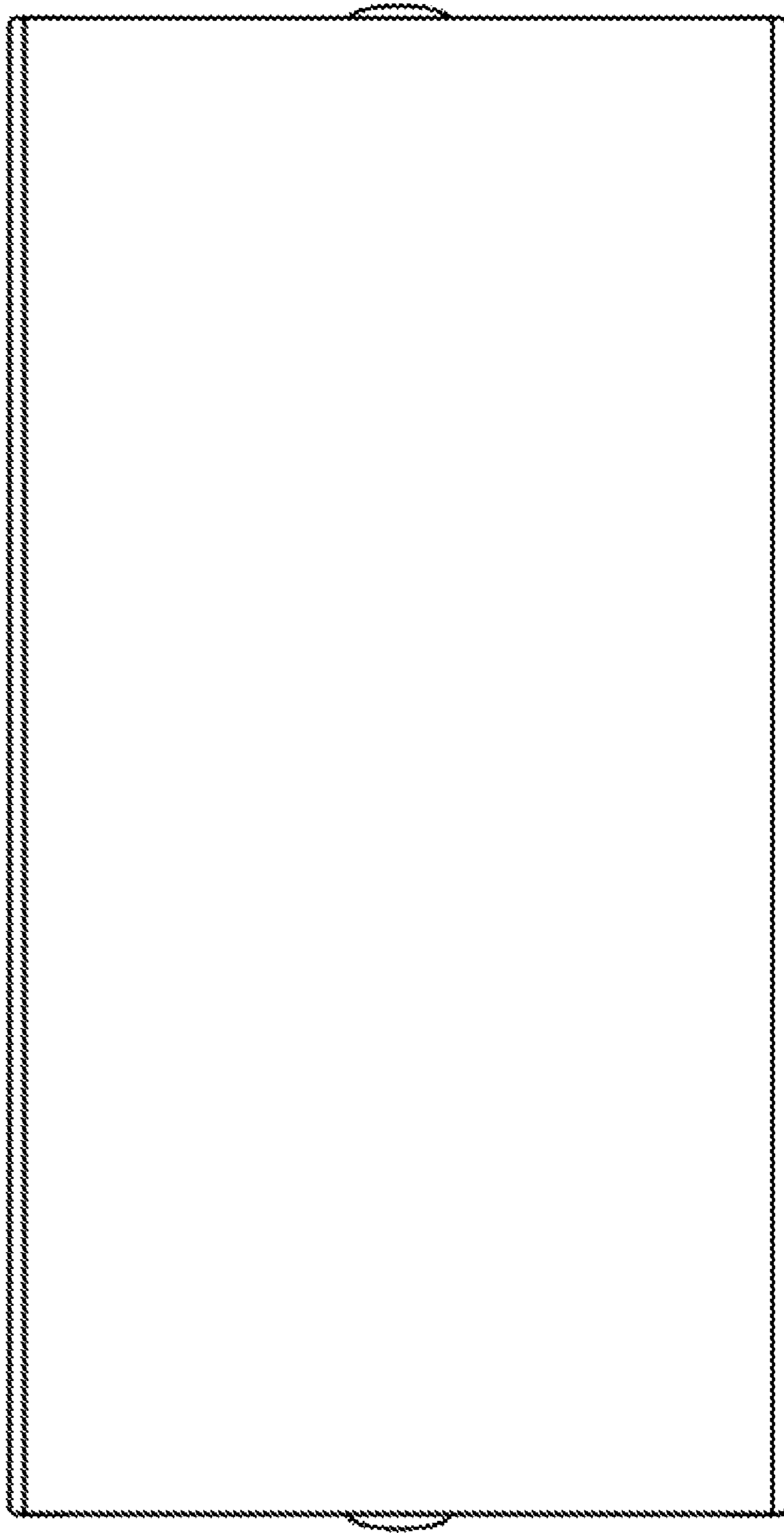


Figure 4

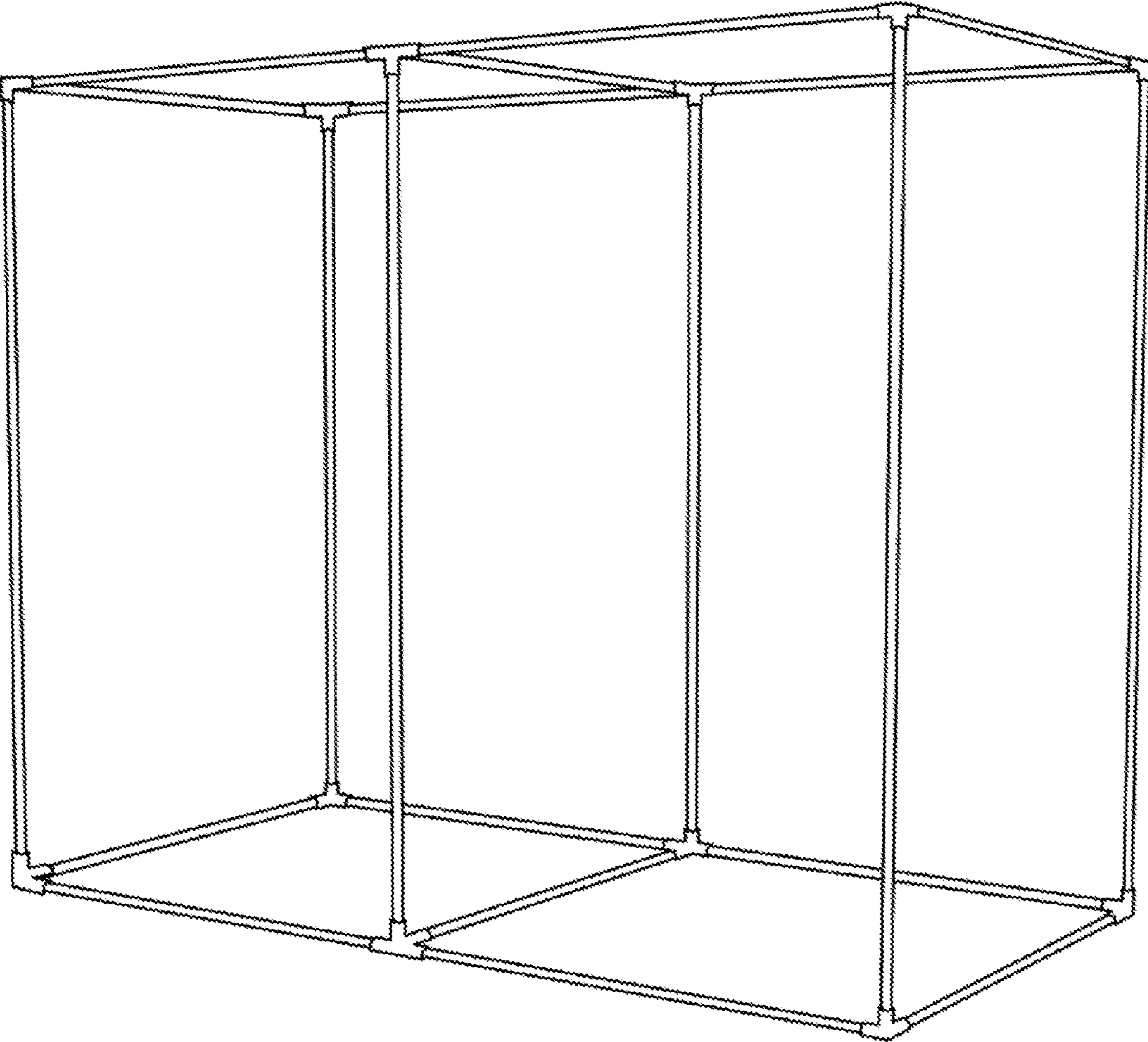


Figure 5