

US00D590953S

(12) **United States Design Patent**  
**Herman et al.**

(10) **Patent No.:** **US D590,953 S**  
(45) **Date of Patent:** **\*\* Apr. 21, 2009**

(54) **LABORATORY GLASSWARE CASSETTE**

(75) Inventors: **Michel Herman**, Hamoir (BE); **Philippe Bakaert**, Huy (DE); **Jean-Luc Morelle**, Liege (BE)

(73) Assignee: **GE Medical Systems Benelux, S.A.**, Loncin (BE)

(\*\*) Term: **14 Years**

(21) Appl. No.: **29/232,283**

(22) Filed: **Jun. 16, 2005**

(30) **Foreign Application Priority Data**

Mar. 24, 2005 (GB) ..... 3020745

(51) **LOC (9) Cl.** ..... **24-01**

(52) **U.S. Cl.** ..... **D24/216**

(58) **Field of Classification Search** ..... D24/216-230;  
422/101, 102, 104; 211/70.01, 74, 75  
See application file for complete search history.

(56) **References Cited**

**U.S. PATENT DOCUMENTS**

5,700,429 A \* 12/1997 Buhler et al. .... 422/104  
D417,009 S \* 11/1999 Boyd ..... D24/227  
D420,451 S \* 2/2000 Dubus ..... D24/216

D421,130 S \* 2/2000 Cohen et al. .... D24/229  
D428,497 S \* 7/2000 Lapeus et al. .... D24/227  
D479,329 S \* 9/2003 Sanguinetti ..... D24/128  
6,692,708 B2 \* 2/2004 Chandler, Jr. .... 422/225  
7,045,358 B2 \* 5/2006 Chandler, Jr. .... 422/104

\* cited by examiner

*Primary Examiner*—Louis S Zarfaz

*Assistant Examiner*—Anhdao Doan

(74) *Attorney, Agent, or Firm*—Robert F. Chisholm

(57) **CLAIM**

The ornamental design for laboratory glassware cassette, as shown and described.

**DESCRIPTION**

FIG. 1 is a top plan view of the laboratory glassware cassette of the present invention;

FIG. 2 is a right side elevational view thereof;

FIG. 3 is a left side elevational view thereof;

FIG. 4 is a front view thereof;

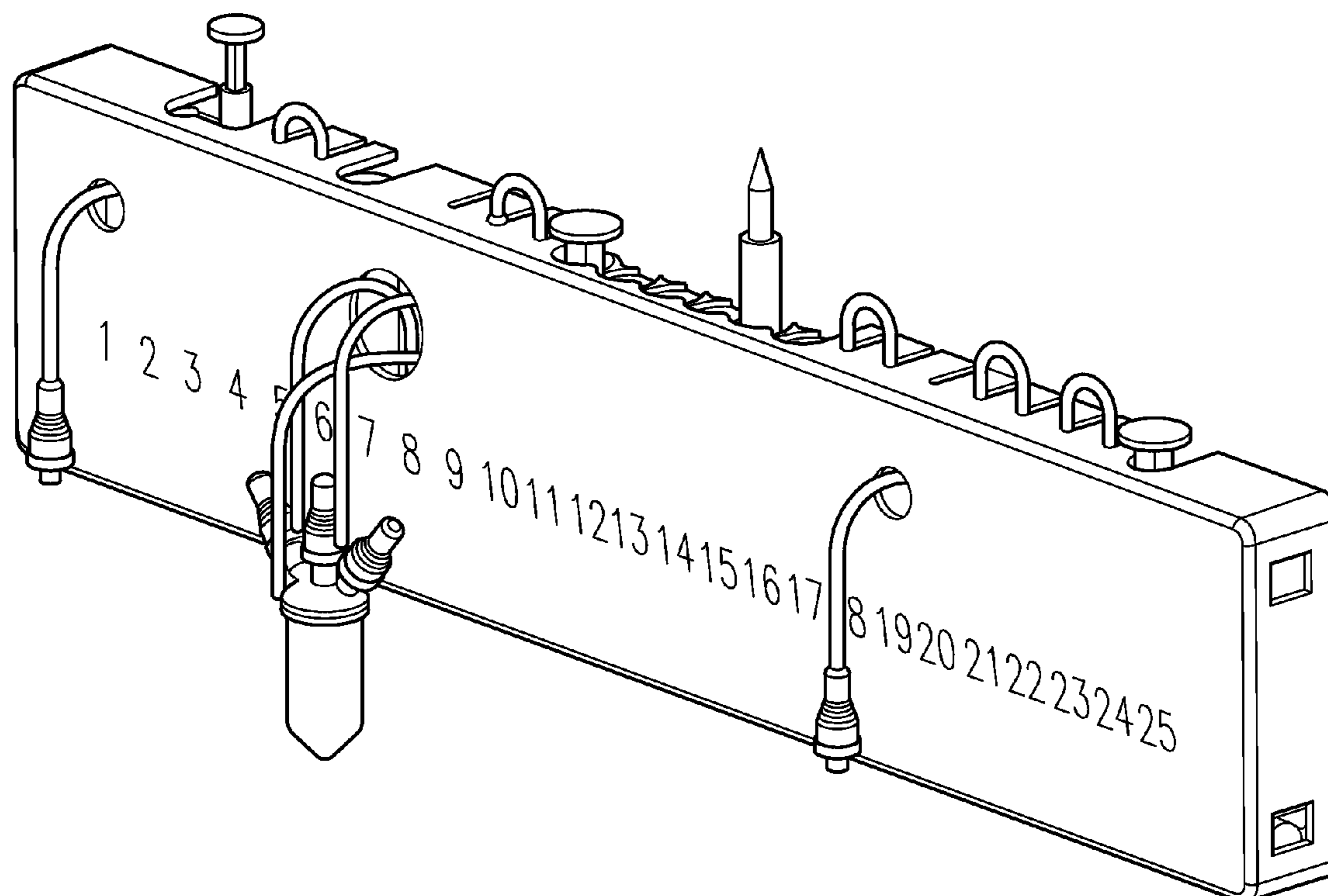
FIG. 5 is a bottom plan view thereof;

FIG. 6 is front perspective view thereof;

FIG. 7 is a rear perspective view thereof; and,

FIG. 8 is a rear view thereof.

**1 Claim, 5 Drawing Sheets**



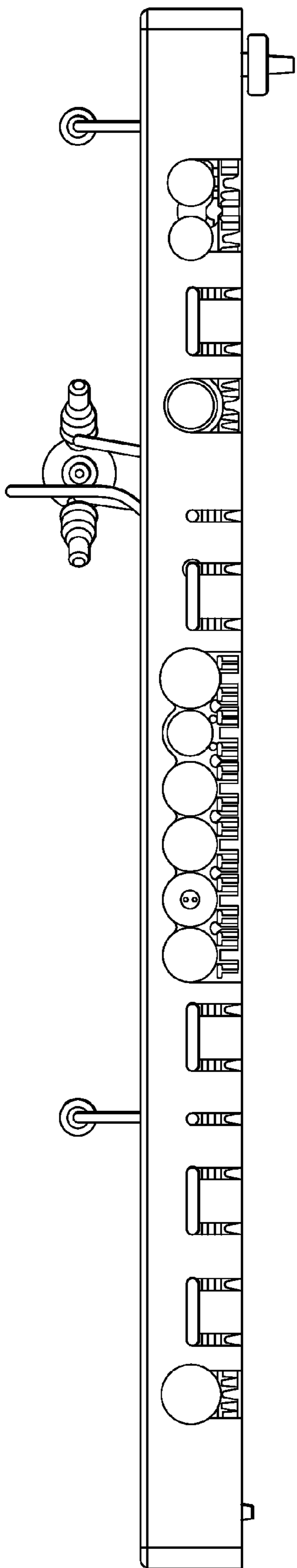


FIG. 1

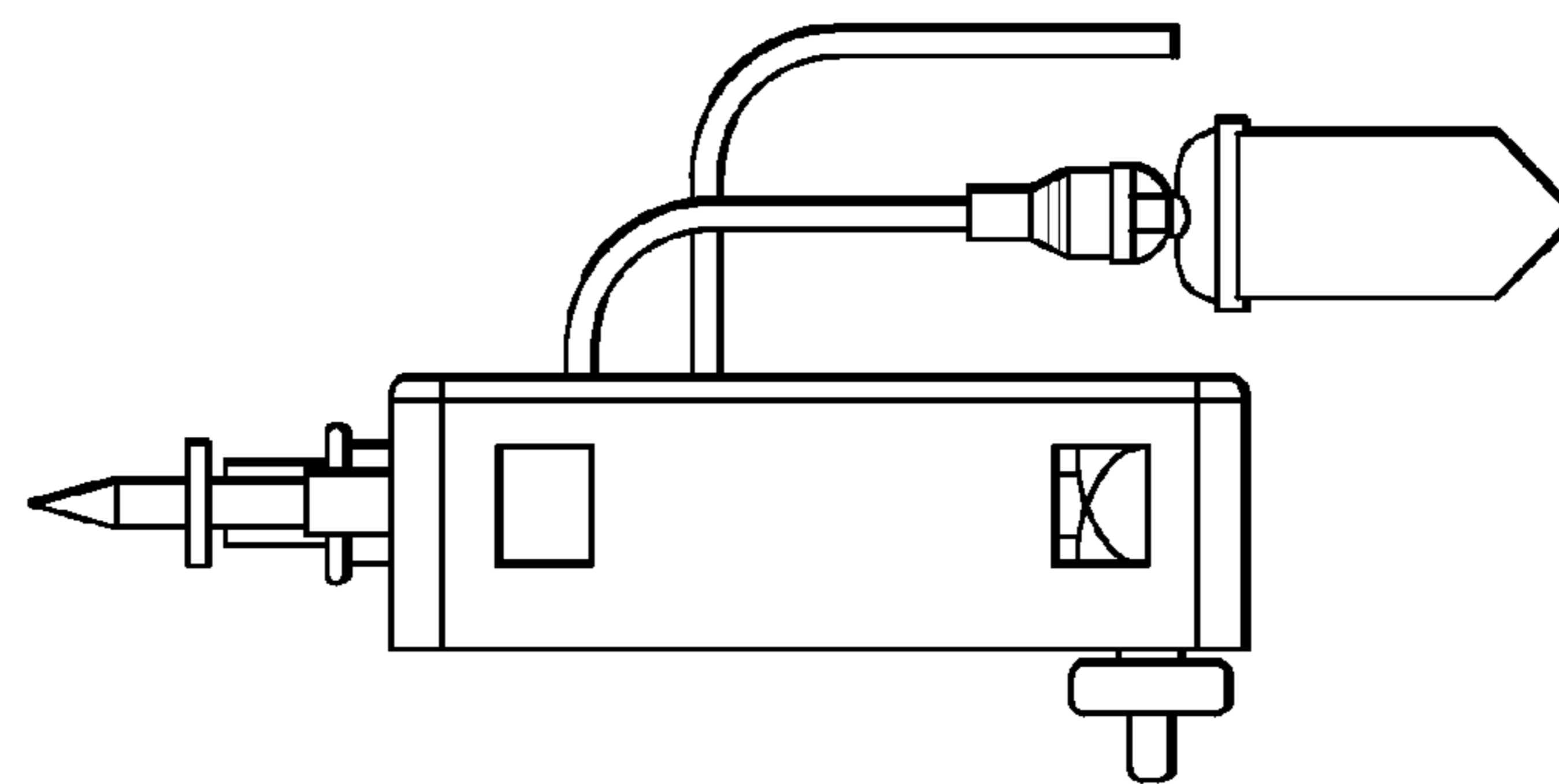


FIG. 2

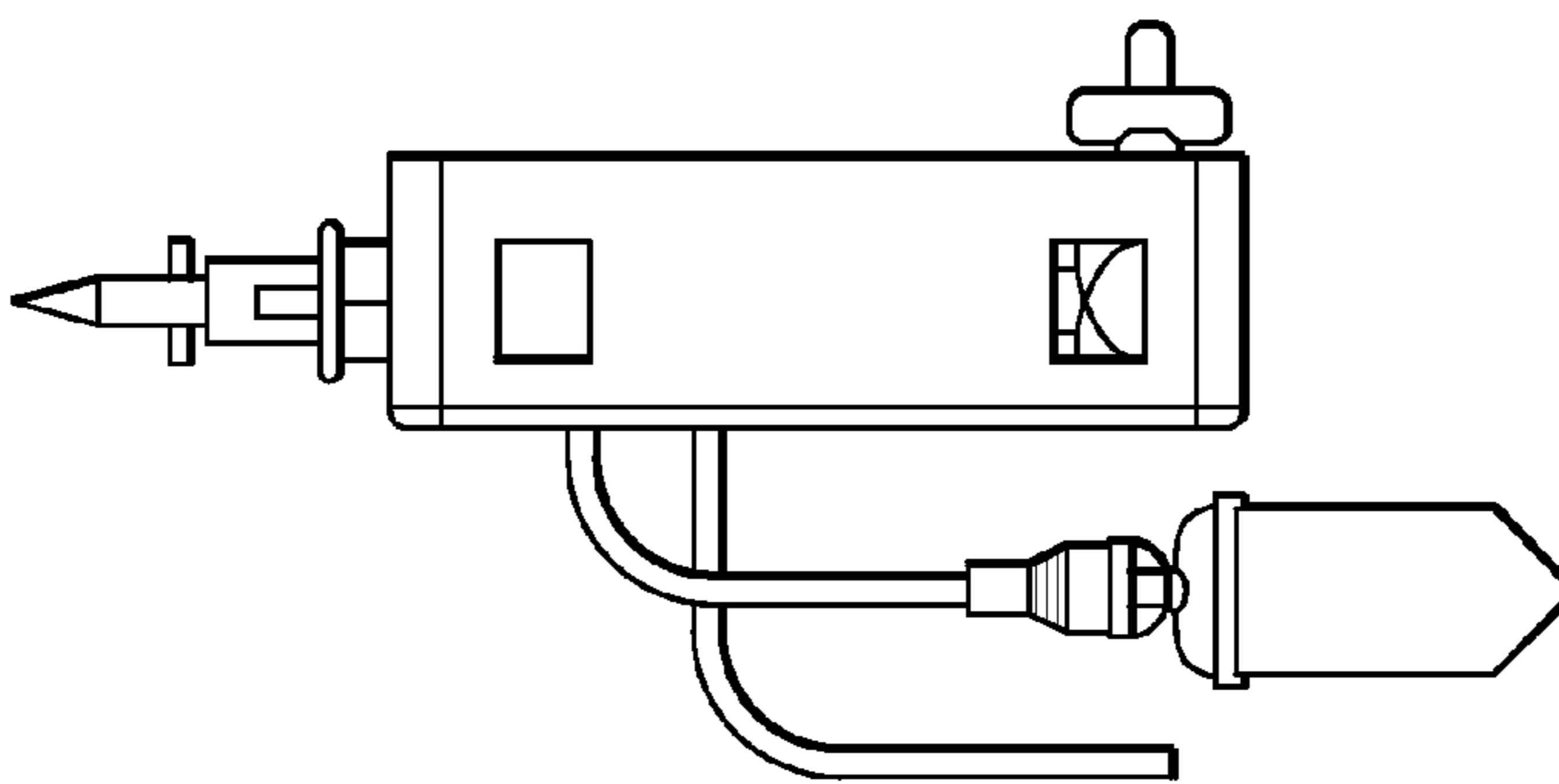
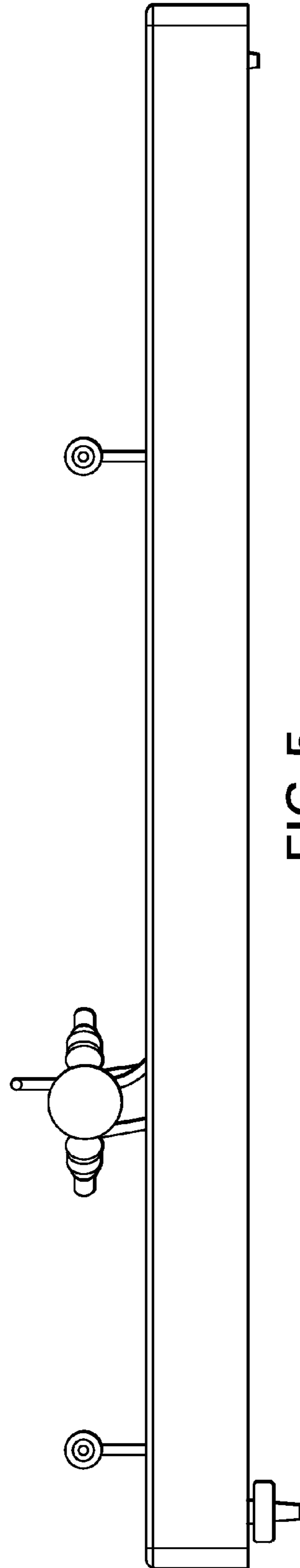
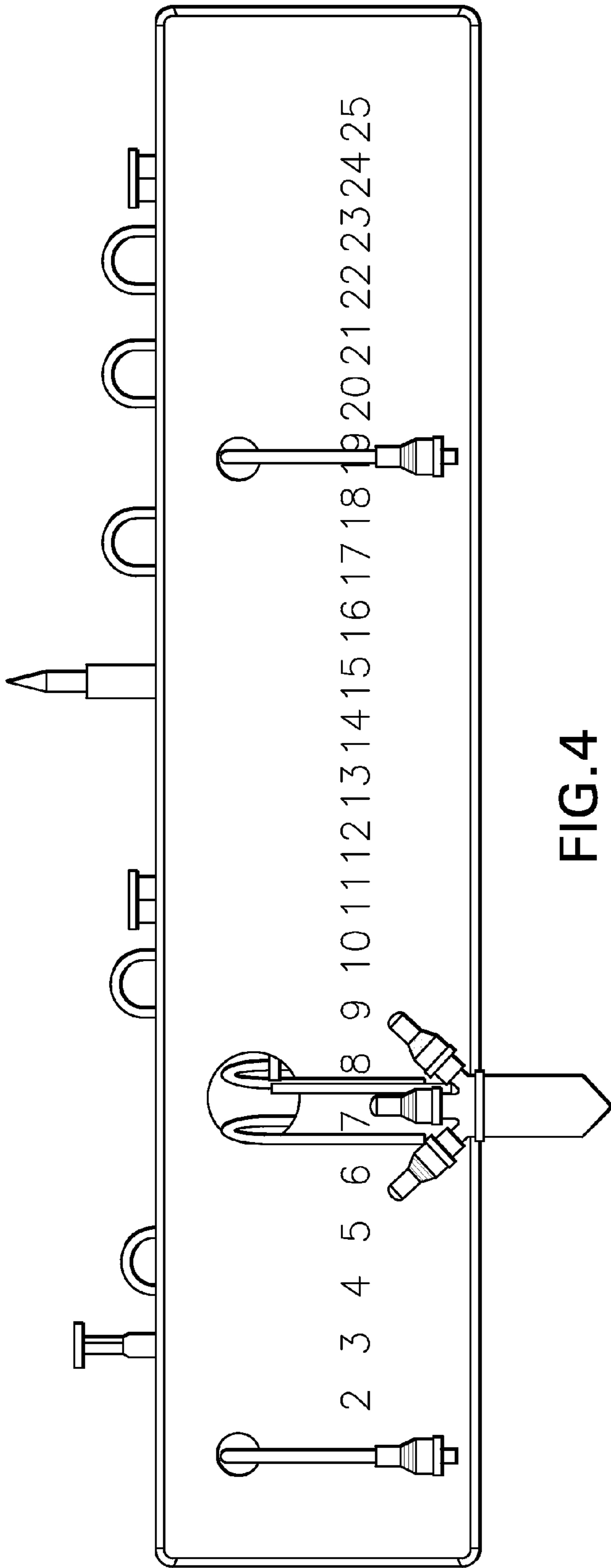


FIG. 3



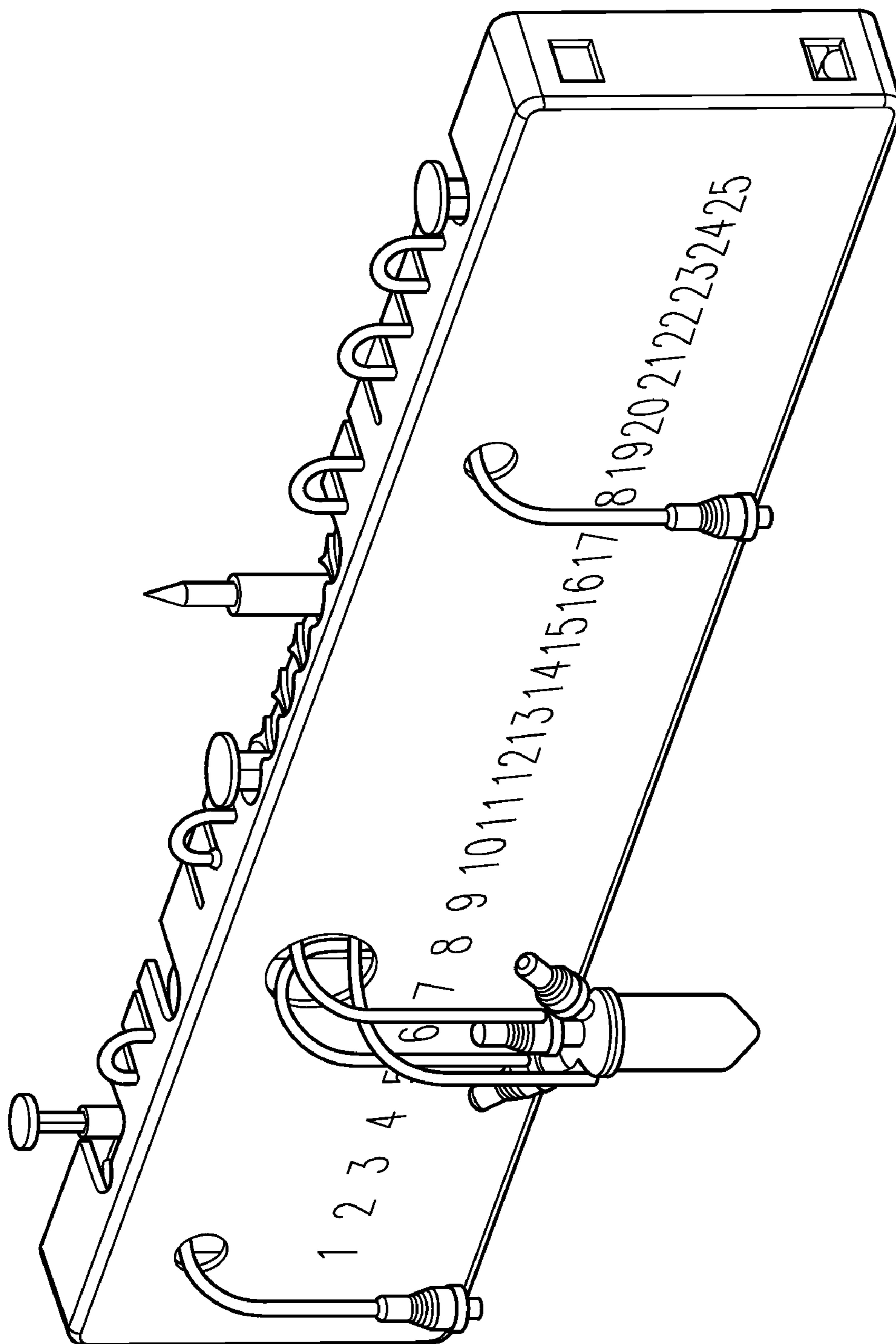


FIG. 6

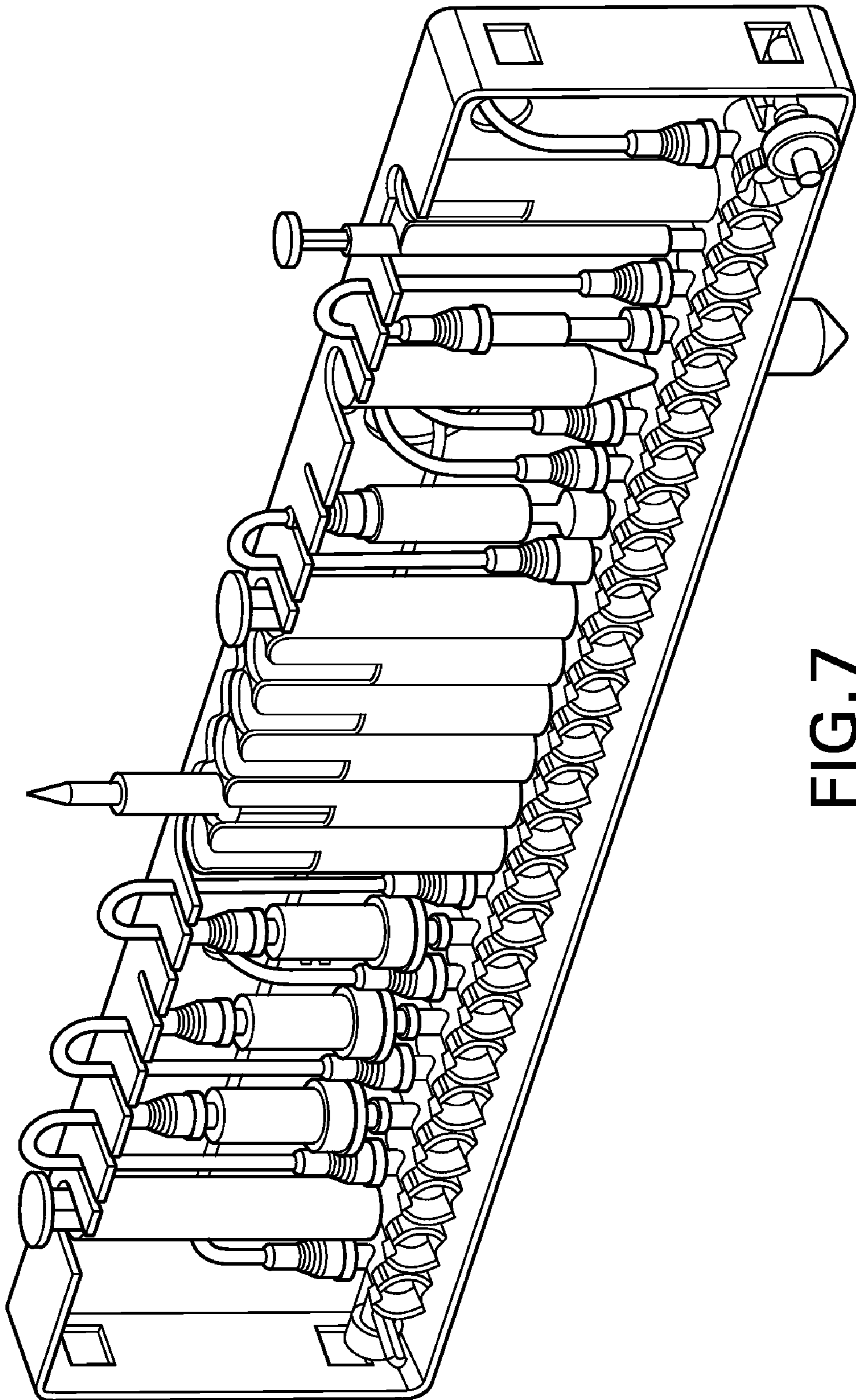


FIG. 7

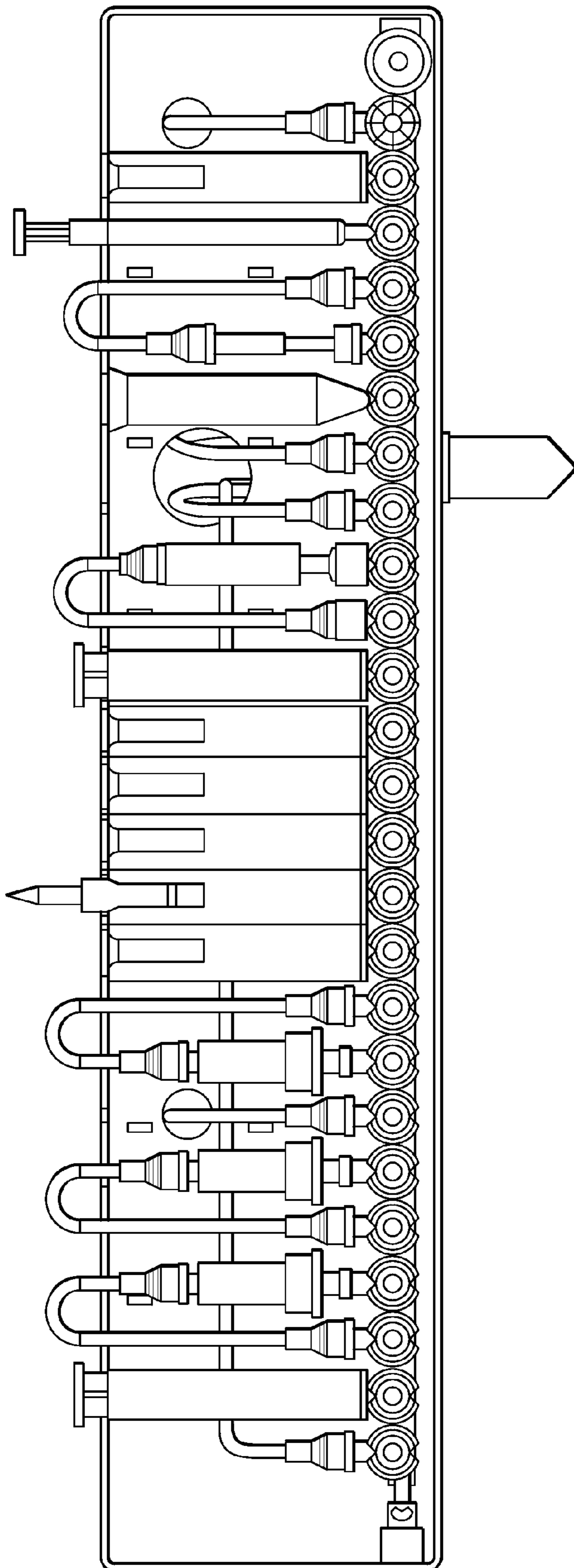


FIG. 8