

US00D590951S

(12) **United States Design Patent**
Larsen

(10) **Patent No.:** **US D590,951 S**
(45) **Date of Patent:** **** Apr. 21, 2009**

(54) **SPA SHELL**

(75) Inventor: **Christopher C. Larsen**, Vista, CA (US)

(73) Assignee: **Watkins Manufacturing Corporation**,
Vista, CA (US)

(**) Term: **14 Years**

(21) Appl. No.: **29/304,043**

(22) Filed: **Feb. 22, 2008**

(51) **LOC (9) Cl.** **24-04**

(52) **U.S. Cl.** **D24/204**

(58) **Field of Classification Search** D24/201,
D24/204, 205; D23/213, 277; 601/154-158;
4/541.1-541.6, 547, 578.1, 579

See application file for complete search history.

(56) **References Cited**

U.S. PATENT DOCUMENTS

D284,407 S *	6/1986	Doman	D24/205
D288,125 S	2/1987	Watkins		
D367,708 S	3/1996	Lawing et al.		
D368,530 S	4/1996	Lawing et al.		
D387,869 S	12/1997	Larsen		
D387,870 S	12/1997	Larsen		

(Continued)

OTHER PUBLICATIONS

- Sundance "Maxxus" Spa, 2004.
- Sundance "Optima" Spa, 2004.
- Cal Spas "Bel Air" Spa, 2004.
- Caldera Spa Line Flyer, 2004.
- Cal Spas System Spa Models Flyer, 2004.
- Cal Spas Premier Spas Flyer, 1999.

- Cal Spas System Spas Flyer, 2000.
- Cal Spas Premier Spas Flyer, 2001.
- Cal Spas "Fiesta Belair" Flyer, 2003.
- Coleman "Horizon" Series Spa Brochure, 2004.
- Coleman "Horizon", "Spectrum", and "California Cooperage" Specifications Flyer, 2004.
- Coleman Flyer Models 448, 447, 411, 408; 2004.
- Coleman "Horizon" Models Flyer, 2004.
- Sunrise Spas "Poseidon VS" Spa, 2004.
- Sunrise Spas "Poseidon" Spa, 2004.

Primary Examiner—Cathron C Brooks

Assistant Examiner—Melanie Levy

(74) *Attorney, Agent, or Firm*—Greenberg Traurig LLP;
Franklin D. Ubell

(57) **CLAIM**

The ornamental design for a spa shell, as shown and described.

DESCRIPTION

FIG. 1 is a top front perspective of a spa shell showing my new design;

FIG. 2 is a top plan view thereof;

FIG. 3 is a cross-sectional view taken along line 3—3 of FIG. 2;

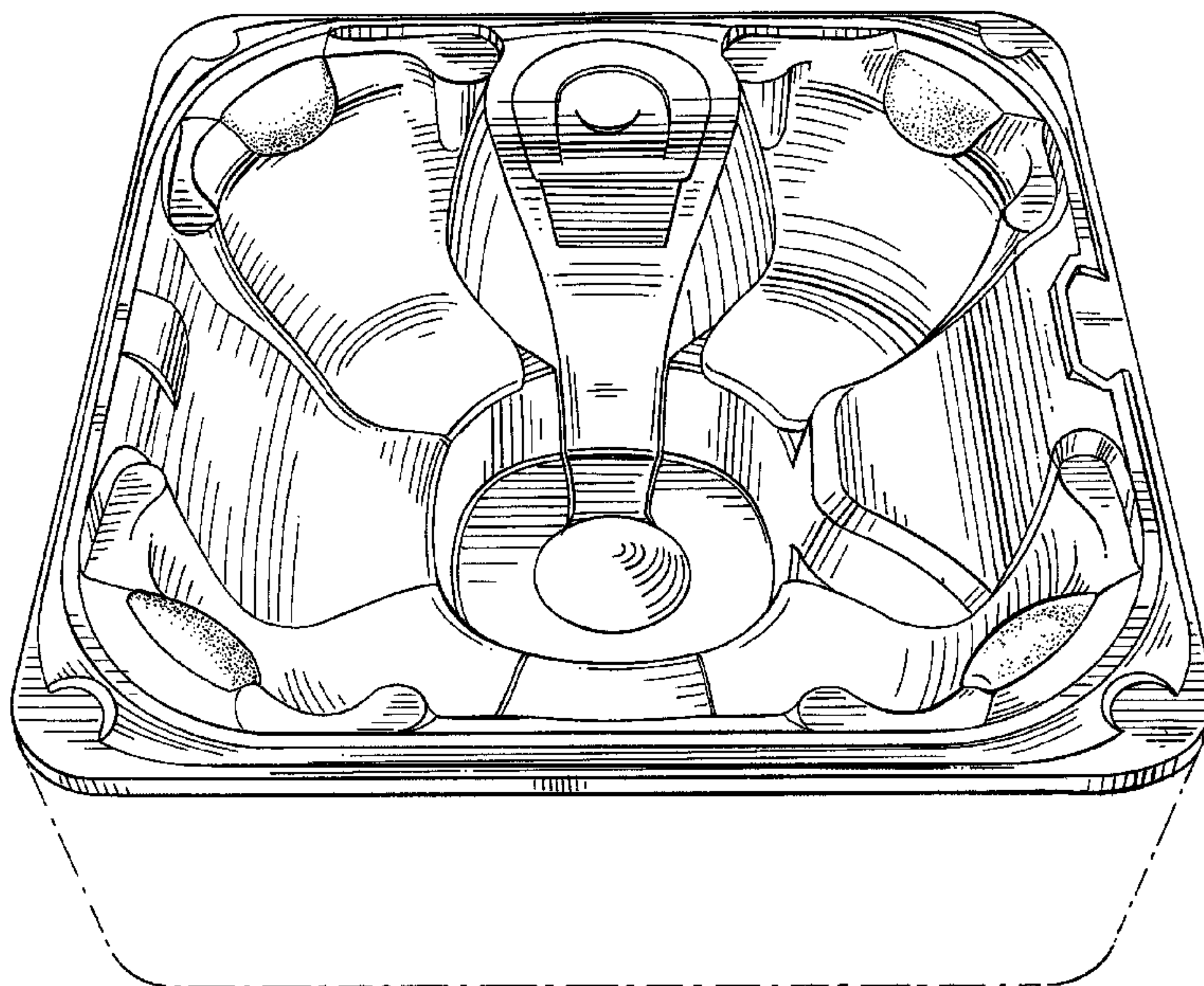
FIG. 4 is a cross-sectional view taken along line 4—4 of FIG. 2;

FIG. 5 is a cross-sectional view taken along line 5—5 of FIG. 2; and,

FIG. 6 is a cross-sectional view taken along line 6—6 of FIG. 2.

The broken lines shown in the drawings represent enhanced portions of the design and form no part thereof.

1 Claim, 6 Drawing Sheets



US D590,951 S

Page 2

U.S. PATENT DOCUMENTS

D405,181 S	2/1999	Larsen	
D405,182 S	2/1999	Larsen	
D405,185 S	2/1999	Larsen	
D405,186 S	2/1999	Larsen	
D431,297 S	9/2000	Larsen et al.	
D436,178 S *	1/2001	Larsen et al. D24/204
D445,904 S	7/2001	Larsen	
D446,309 S	8/2001	Bower	
D446,310 S	8/2001	Bower	
D446,862 S	8/2001	Larsen et al.	
6,324,707 B1	12/2001	Larsen et al.	
D463,028 S	9/2002	Bower	
D463,569 S	9/2002	Bower	
D465,576 S	11/2002	Larsen	
D496,107 S	9/2004	Larsen	
D513,325 S *	12/2005	Loyd D24/204
D517,697 S	3/2006	Larsen	
D518,181 S *	3/2006	Loyd D24/201
D521,154 S *	5/2006	Loyd D24/204
D527,828 S	9/2006	Larsen	
D529,182 S *	9/2006	Loyd D24/204
D531,731 S	11/2006	Larsen	
D542,416 S	5/2007	Larsen	
D542,925 S	5/2007	Larsen	
D543,282 S	5/2007	Larsen	
D543,283 S	5/2007	Larsen	
D550,371 S	9/2007	Larsen	
D577,943 S	10/2008	Larsen	

* cited by examiner

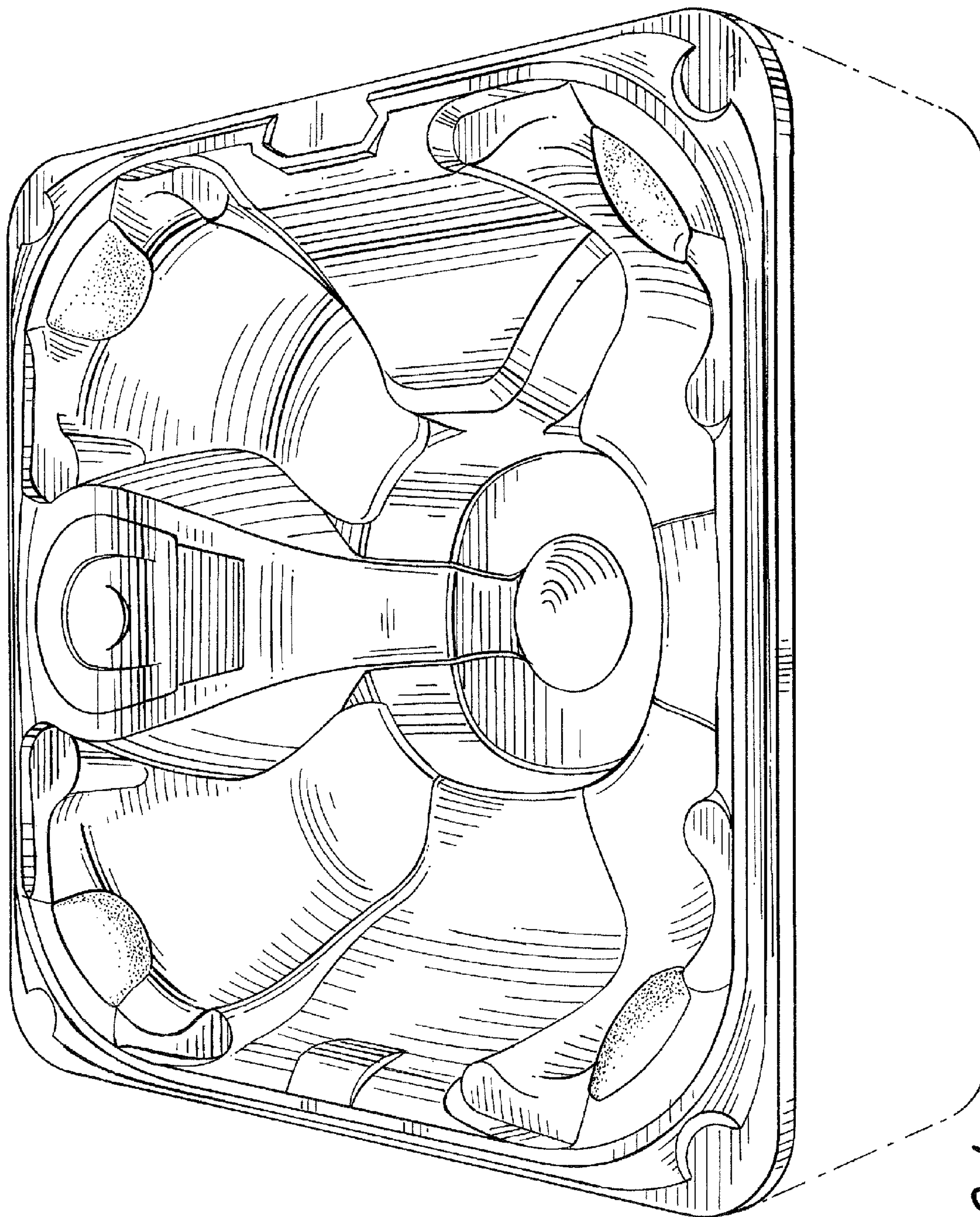


FIG. 1

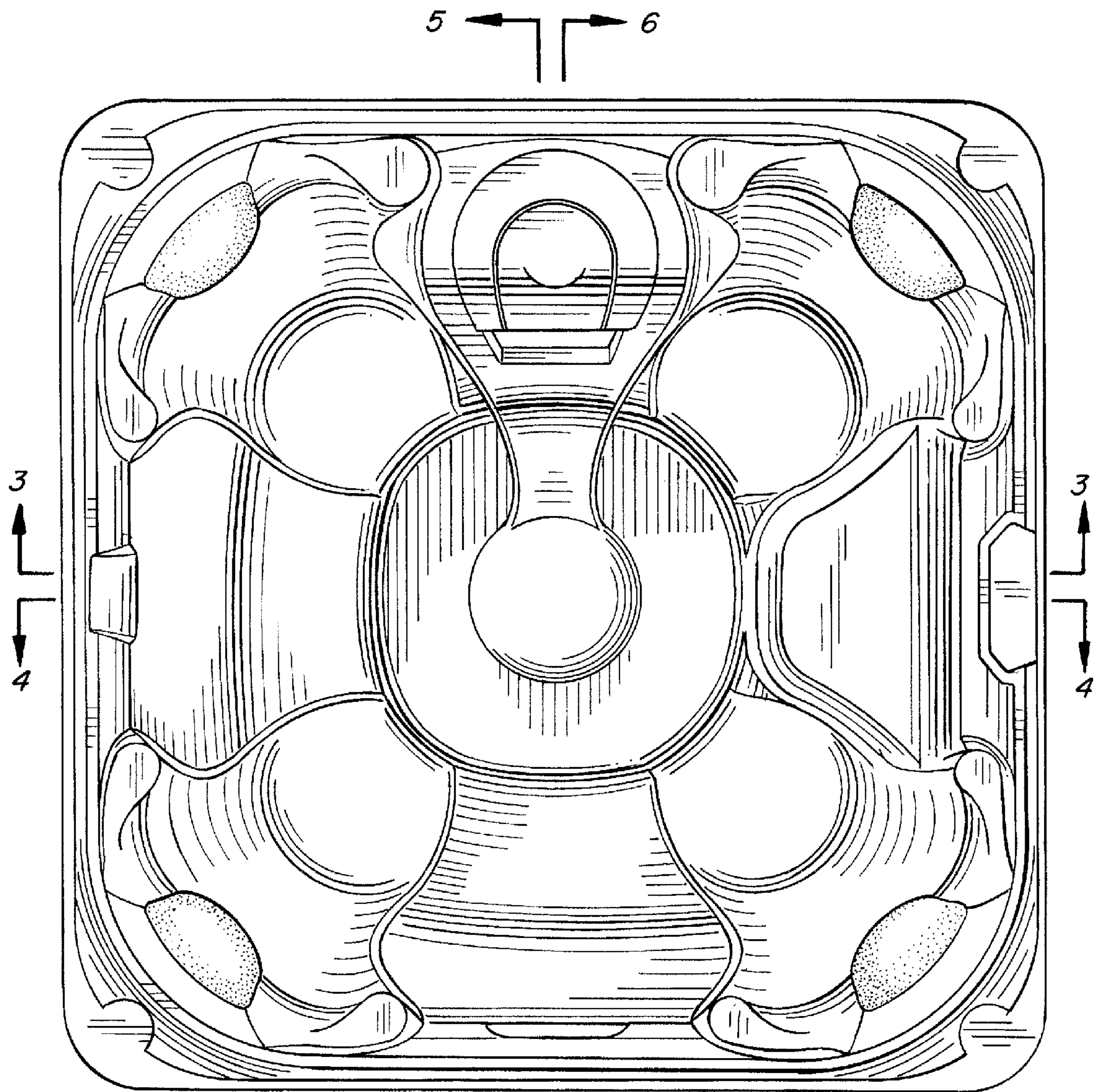
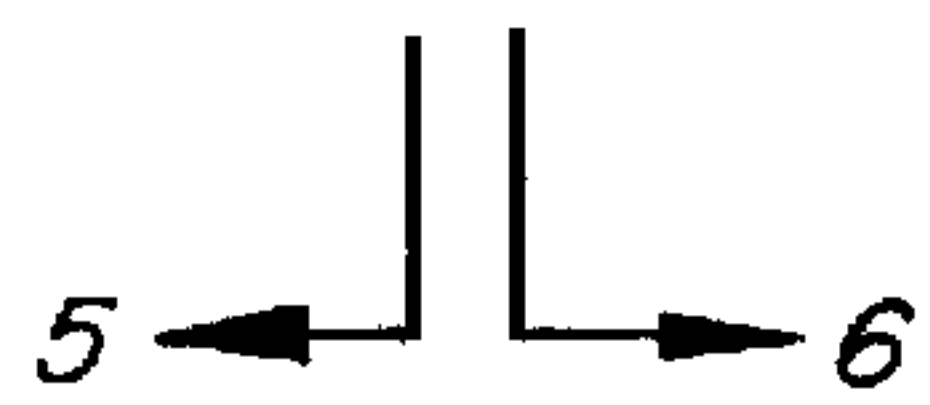


FIG. 2



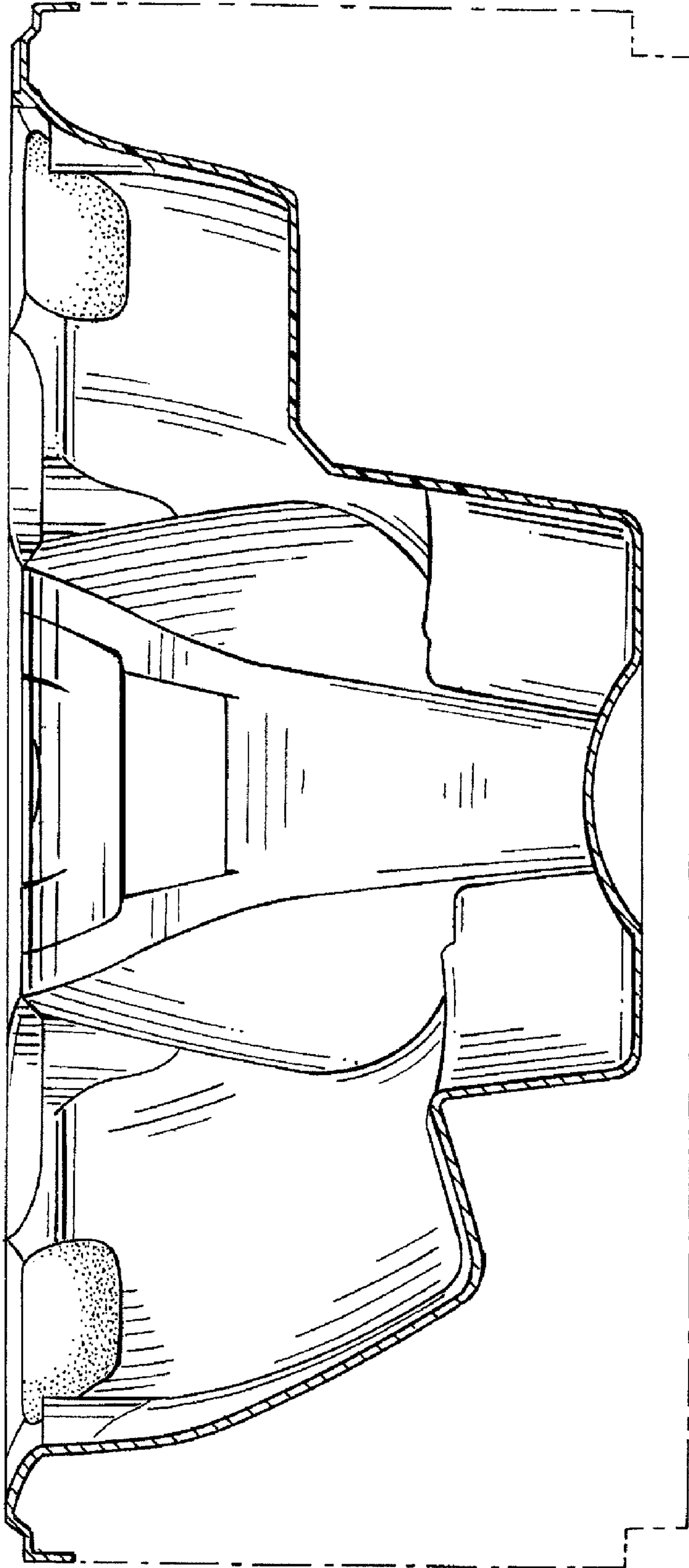


FIG. 3

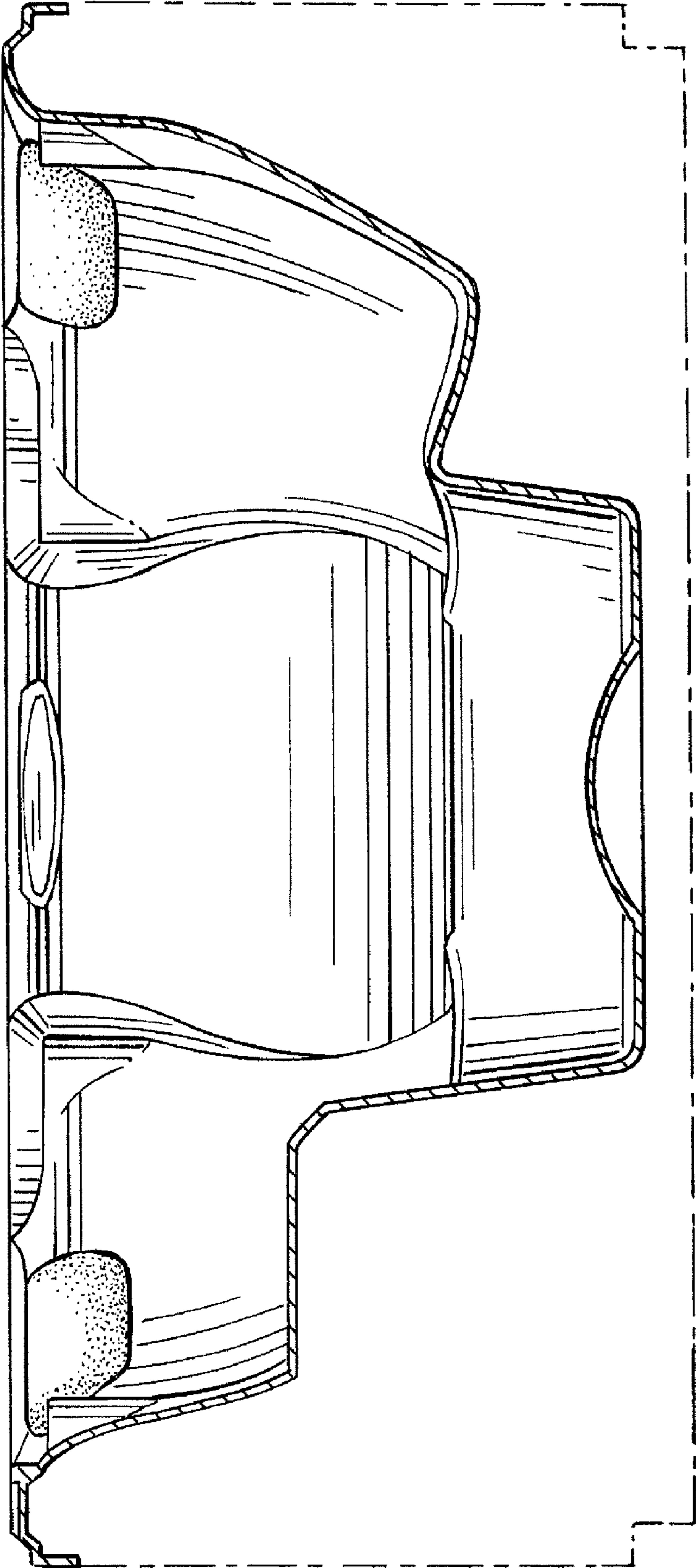


FIG. 4

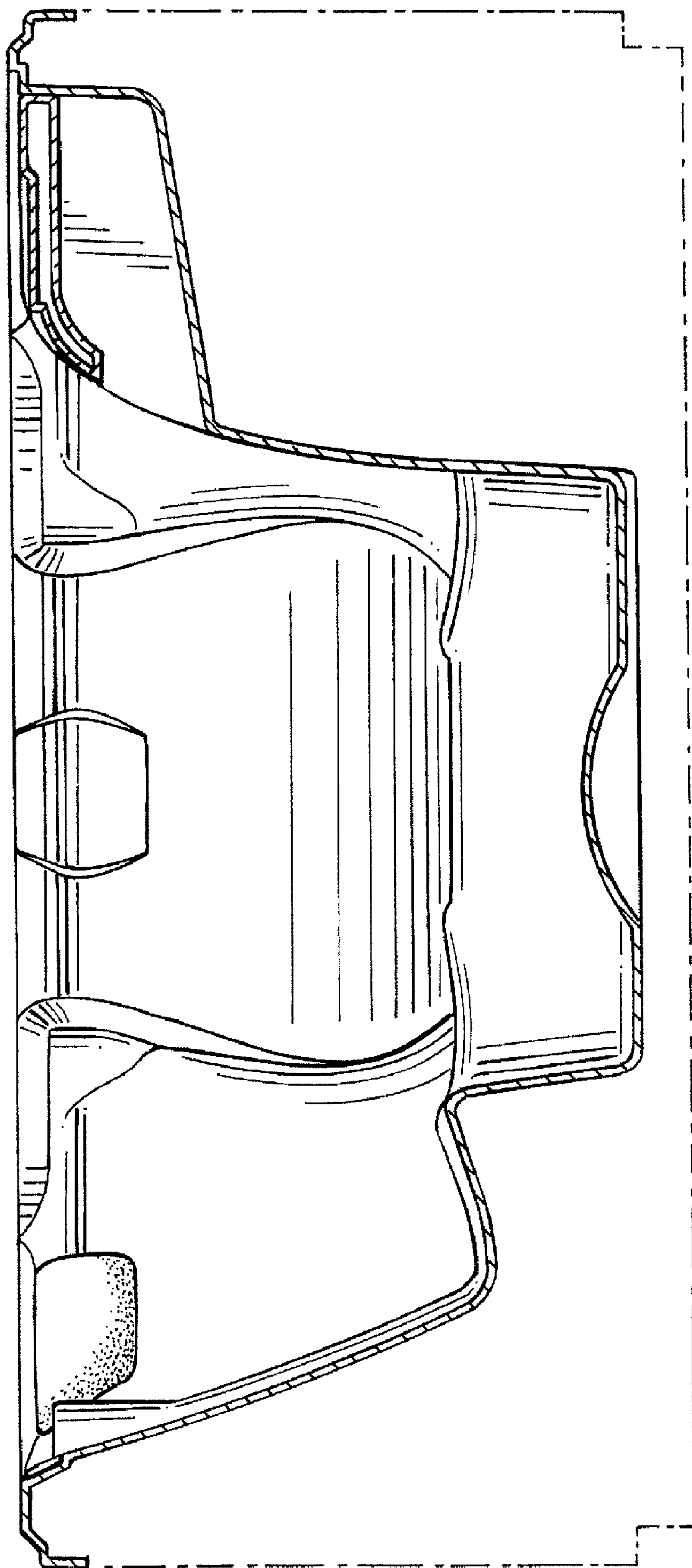


FIG. 5

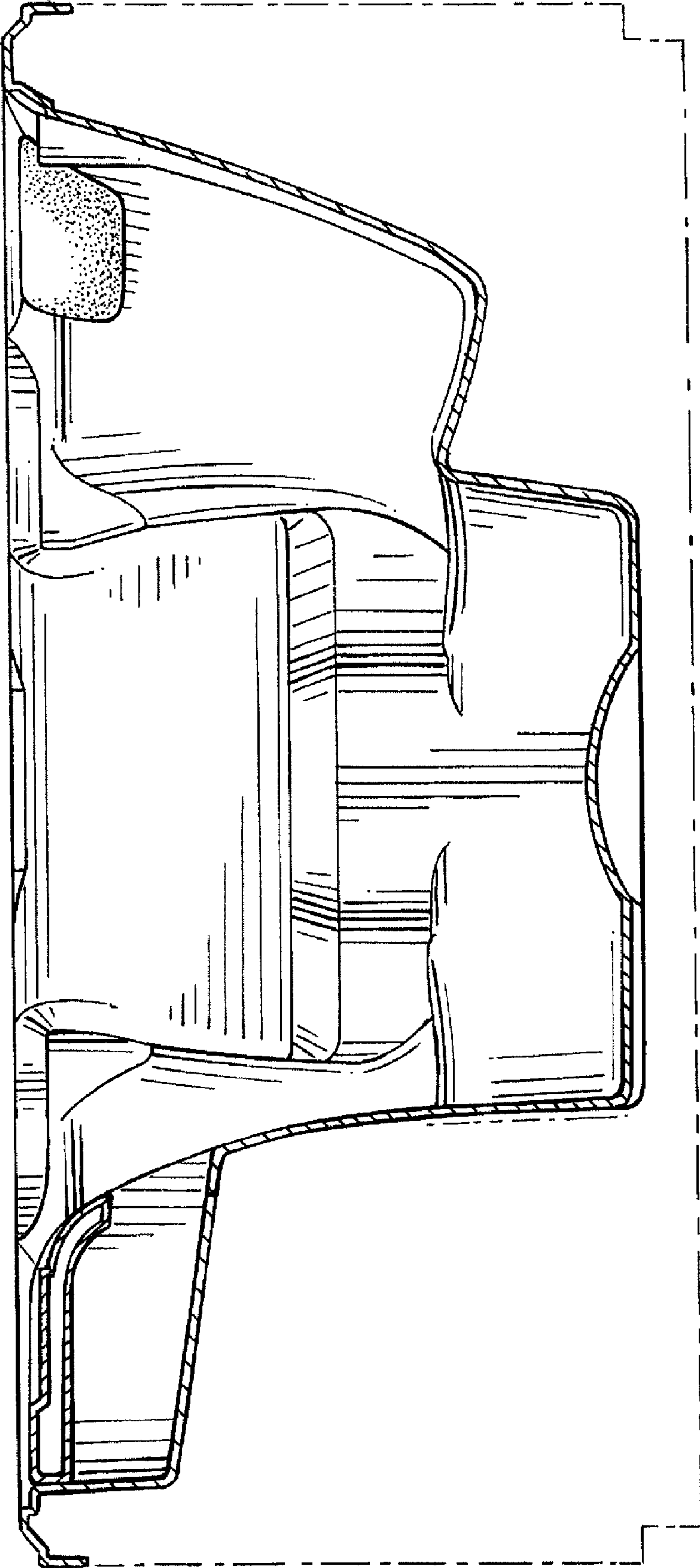


FIG. 6