



US00D590950S

(12) **United States Design Patent**
Driver et al.

(10) **Patent No.:** **US D590,950 S**
(45) **Date of Patent:** **** Apr. 21, 2009**

(54) **COLLAPSIBLE FEEDING BOTTLE FOR AN INFANT**

(75) Inventors: **Matthew Driver**, Colne (GB);
Raymond Liu Hon Wai, Colne (GB);
Chi Hung Kwok, Colne (GB)

(73) Assignee: **Babasil Products (UK) Co., Limited**,
Colne (GB)

(**) Term: **14 Years**

(21) Appl. No.: **29/317,577**

(22) Filed: **May 1, 2008**

(30) **Foreign Application Priority Data**

Nov. 9, 2007 (EM) 000823760-0001

(51) **LOC (9) Cl.** **07-01**

(52) **U.S. Cl.** **D24/197; D24/199**

(58) **Field of Classification Search** D24/193-199;
D3/22, 202, 215, 226, 229-230; D9/447-449,
D9/511, 537-538, 541, 547, 551, 556, 560,
D9/569, 573; D7/507, 510-511, 533, 607,
D7/619.1, 624.2-624.3; 215/6, 11.1-11.6,
215/12.1, 13.1, 255, 256, 378, 387, 398,
215/902, DIG. 8; 446/73, 81, 175; 248/102,
248/363; 294/64.1, 106; 220/719, 739, 902-903,
220/DIG. 27; 222/158, 455, 457

See application file for complete search history.

(56) **References Cited**

U.S. PATENT DOCUMENTS

D262,765 S * 1/1982 Lack et al. D7/523
4,759,453 A * 7/1988 Paetzold 215/11.1
D321,626 S * 11/1991 Kouts D7/510
D353,972 S * 1/1995 Robling et al. D7/510

D401,344 S * 11/1998 Bonds D24/197
D410,364 S * 6/1999 Ramirez et al. D7/507
D425,423 S * 5/2000 Mengeu et al. D9/503
D449,381 S * 10/2001 de Begon
de Larouziere D24/197
D477,232 S * 7/2003 Podlucky D9/557
D499,490 S * 12/2004 Conaway D24/197
D537,736 S * 3/2007 Munn D9/773
D538,939 S * 3/2007 Conaway et al. D24/197

* cited by examiner

Primary Examiner—Robert M. Spear

Assistant Examiner—Susan E Krakower

(74) *Attorney, Agent, or Firm*—Egbert Law Offices PLLC

(57) **CLAIM**

The ornamental design for a collapsible feeding bottle for an infant, as shown and described.

DESCRIPTION

FIG. 1 is a front elevation view of a collapsible feeding bottle for an infant showing our design.

FIG. 2 is a top plan view thereof;

FIG. 3 is a back elevation view thereof;

FIG. 4 is a perspective view thereof;

FIG. 5 is a bottom view thereof;

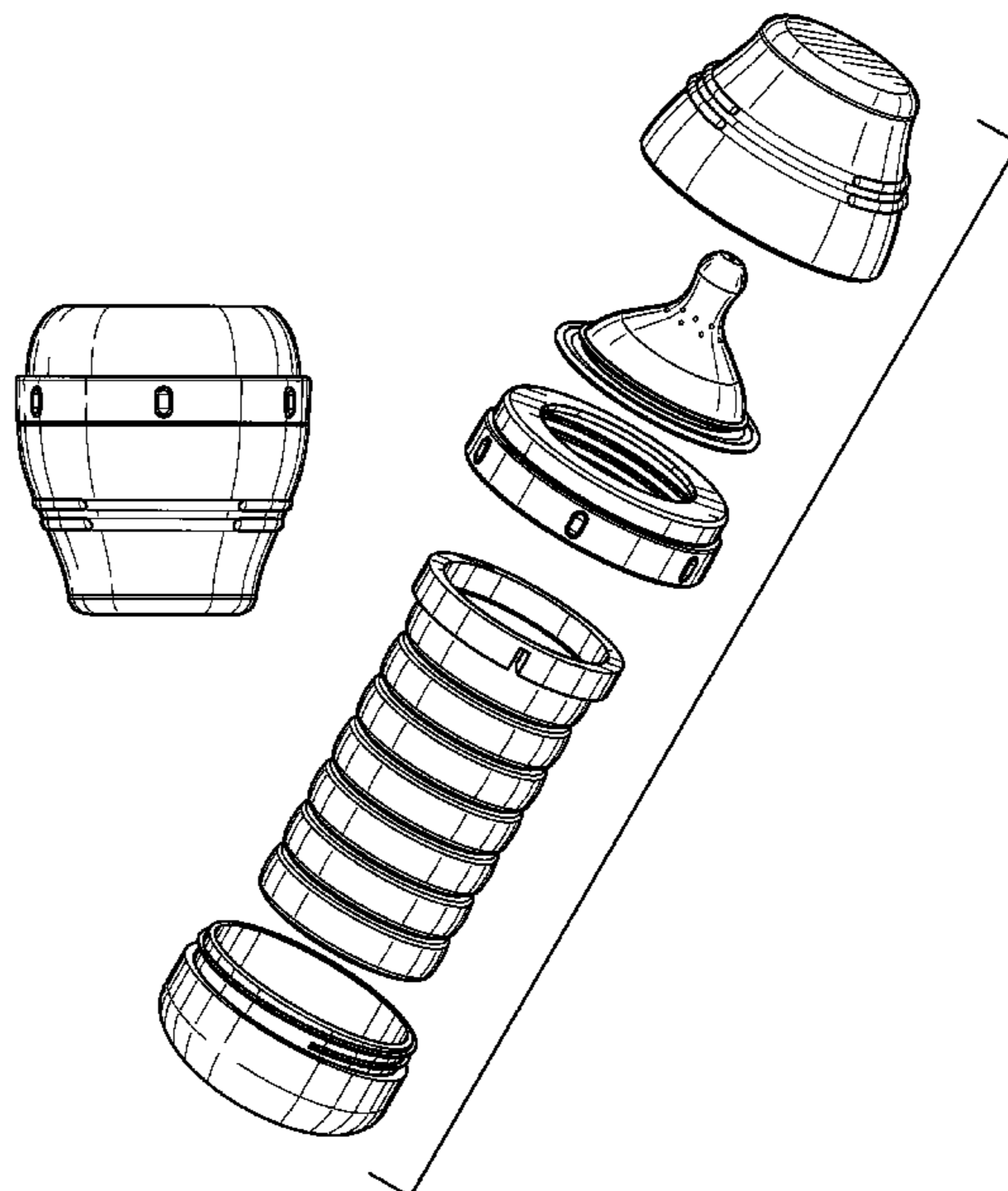
FIG. 6 is a side view thereof, an opposite side view being a mirror image thereof;

FIG. 7 is an exploded perspective view thereof, showing a full extension;

FIG. 8 is a front elevation view thereof, showing an extension; and,

FIG. 9 is another front elevation view thereof, showing a further extension.

1 Claim, 3 Drawing Sheets



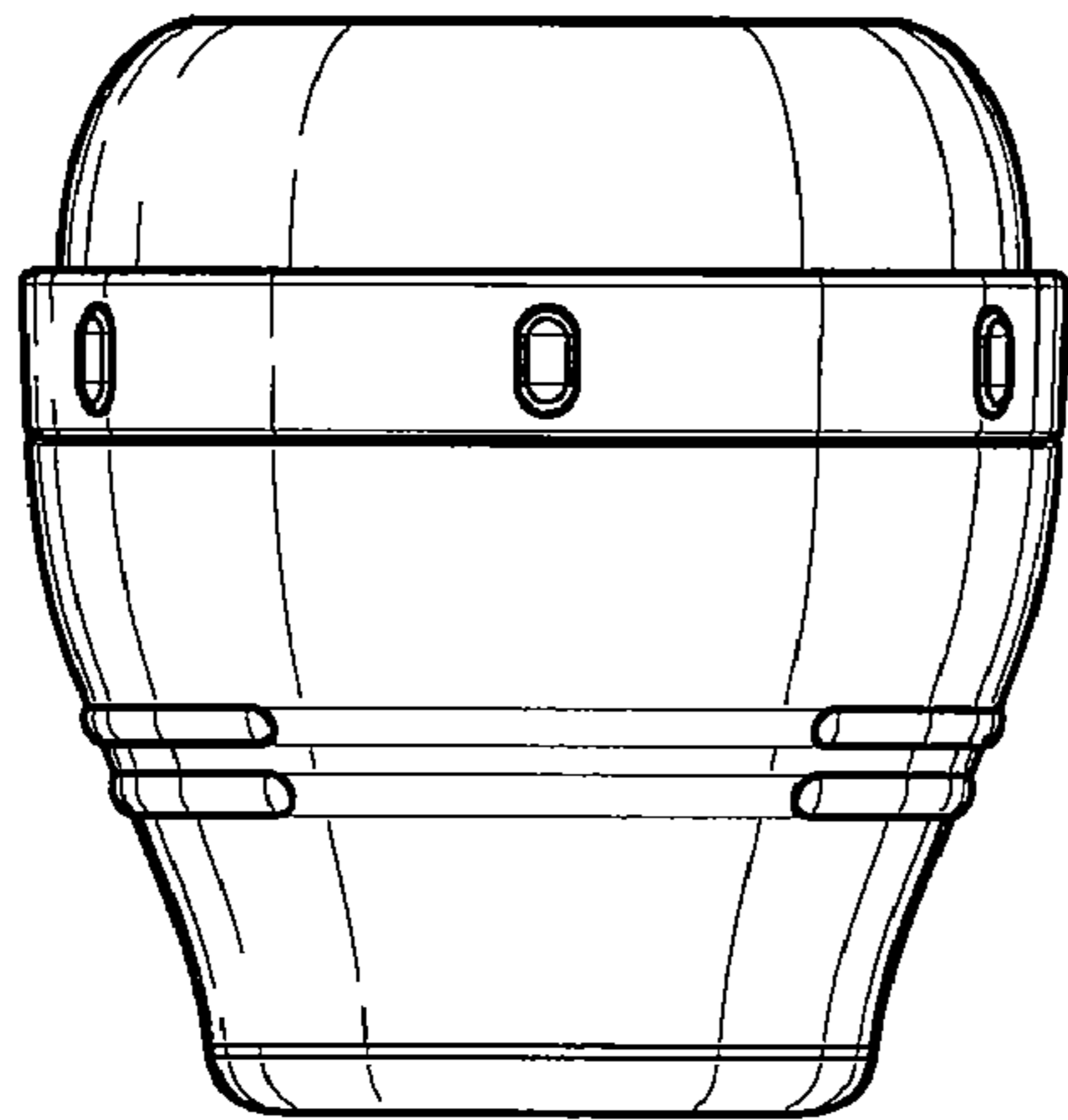


FIG. 1

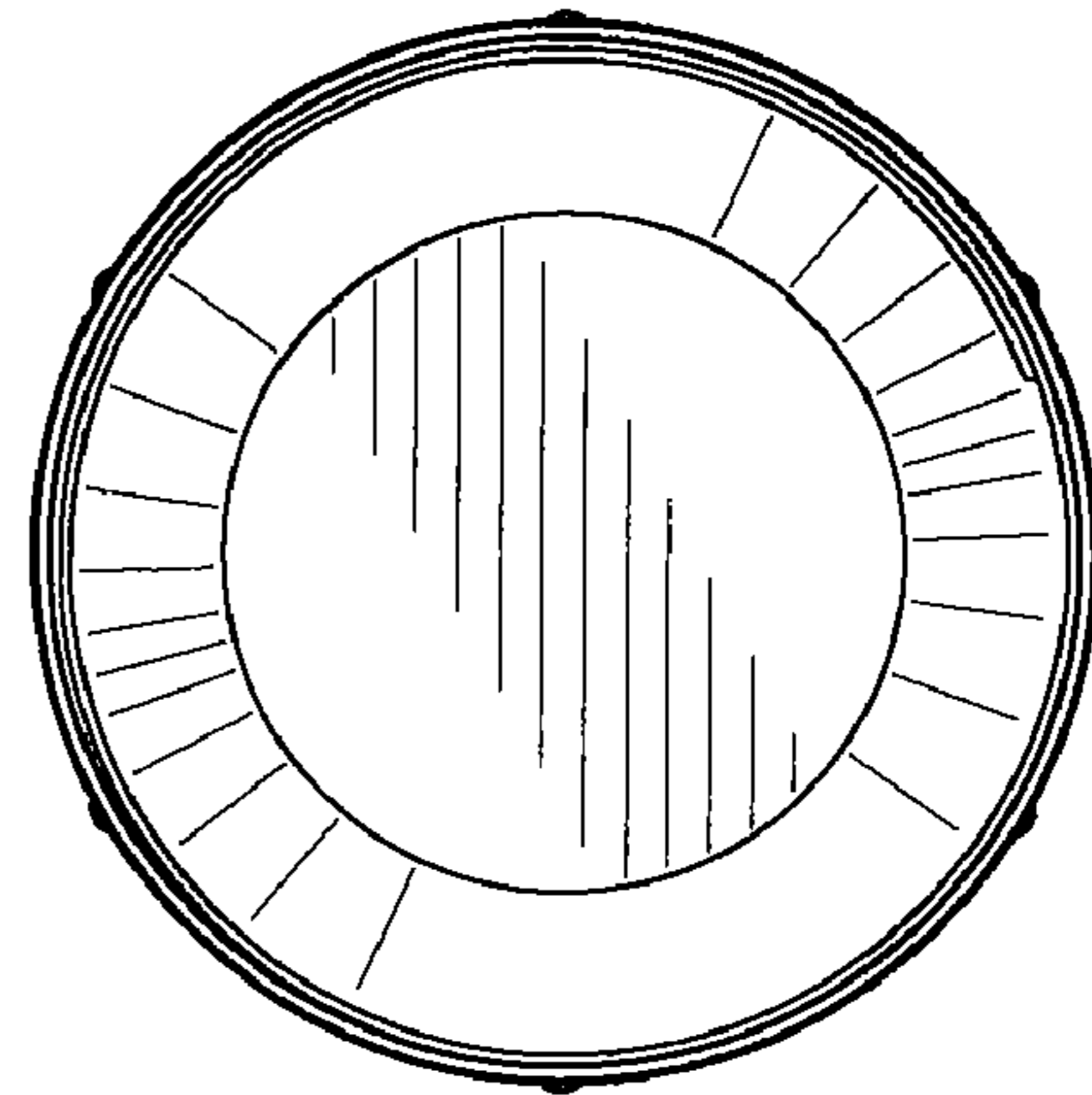


FIG. 2

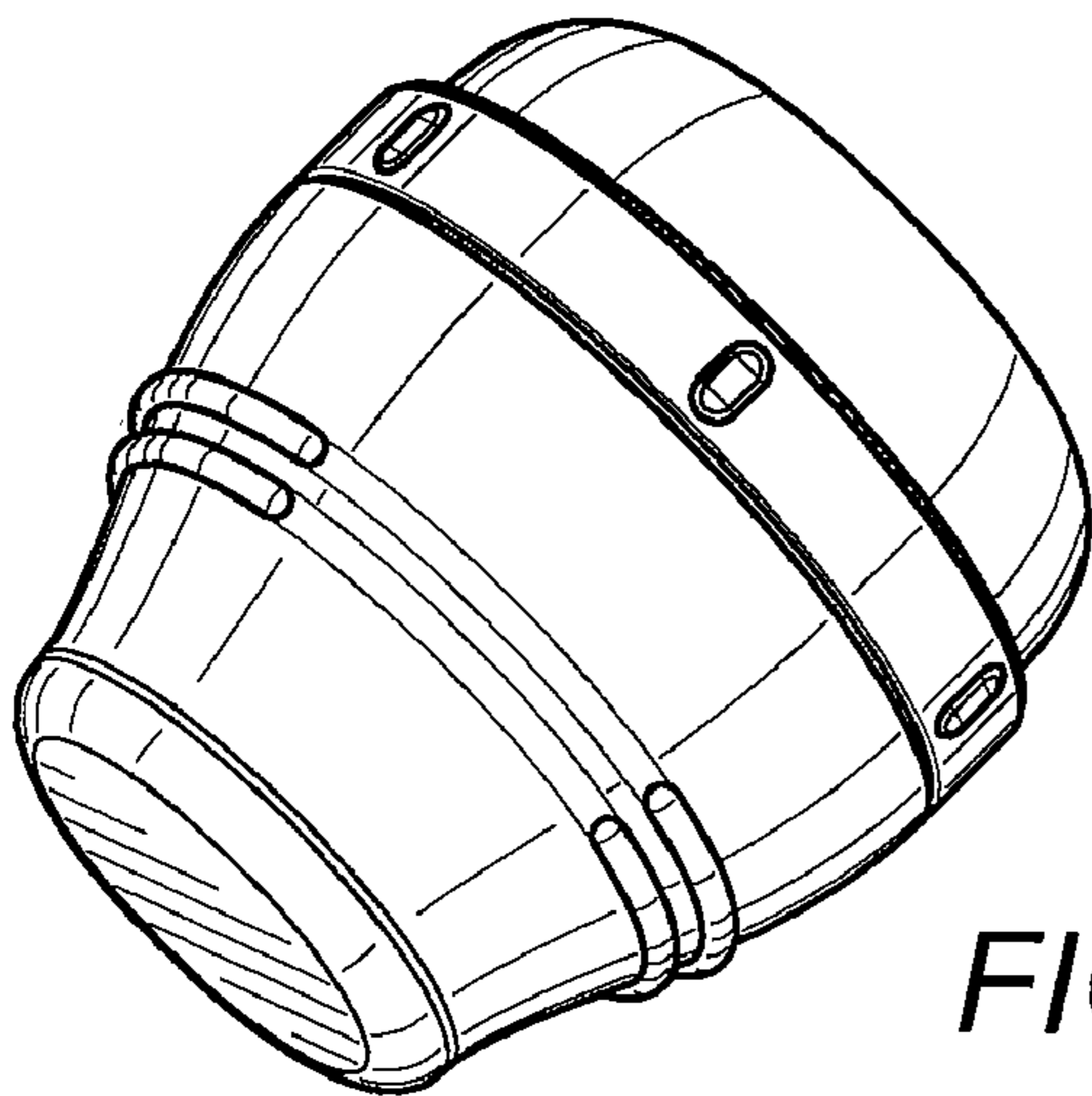


FIG. 4

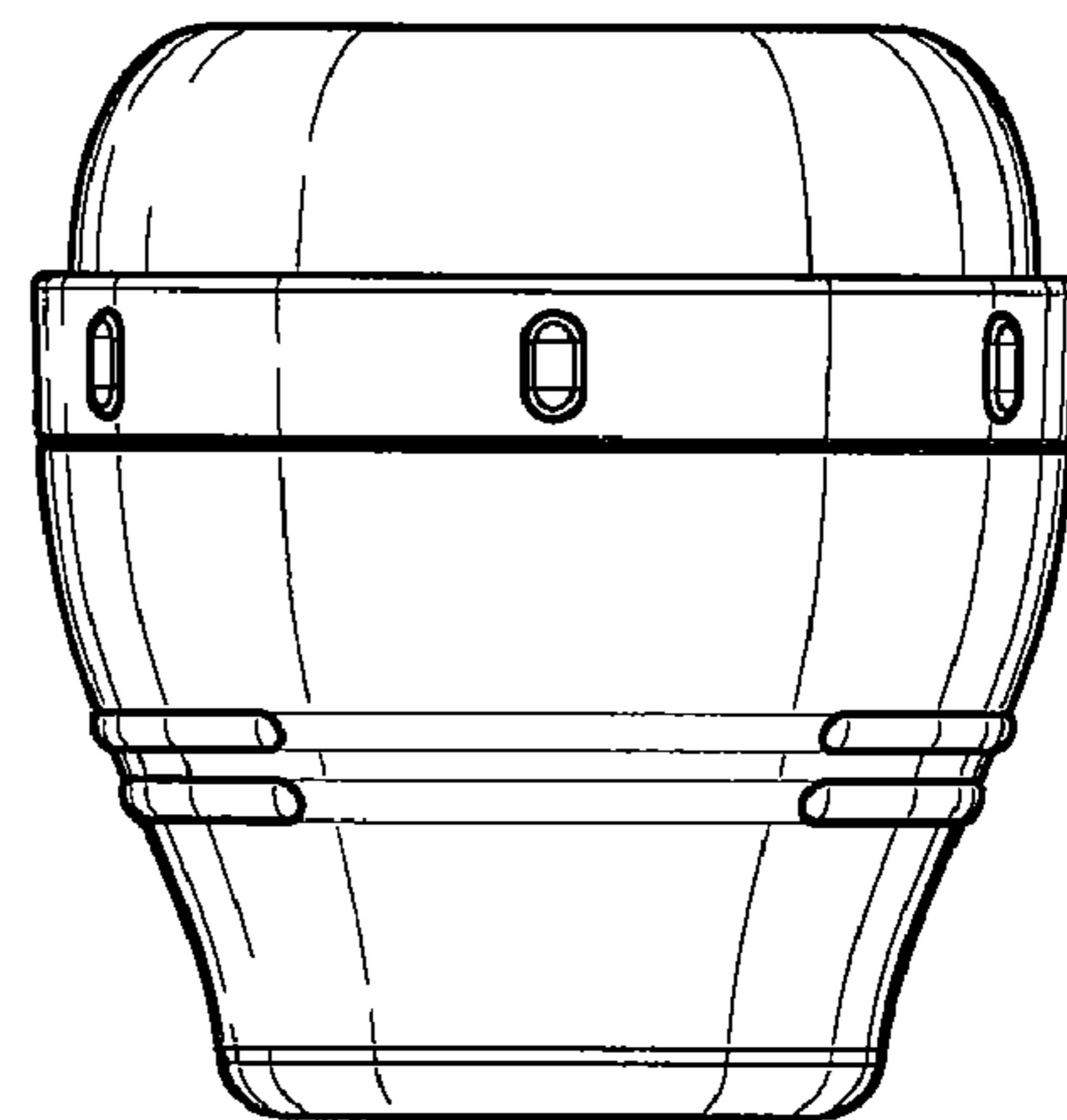


FIG. 3

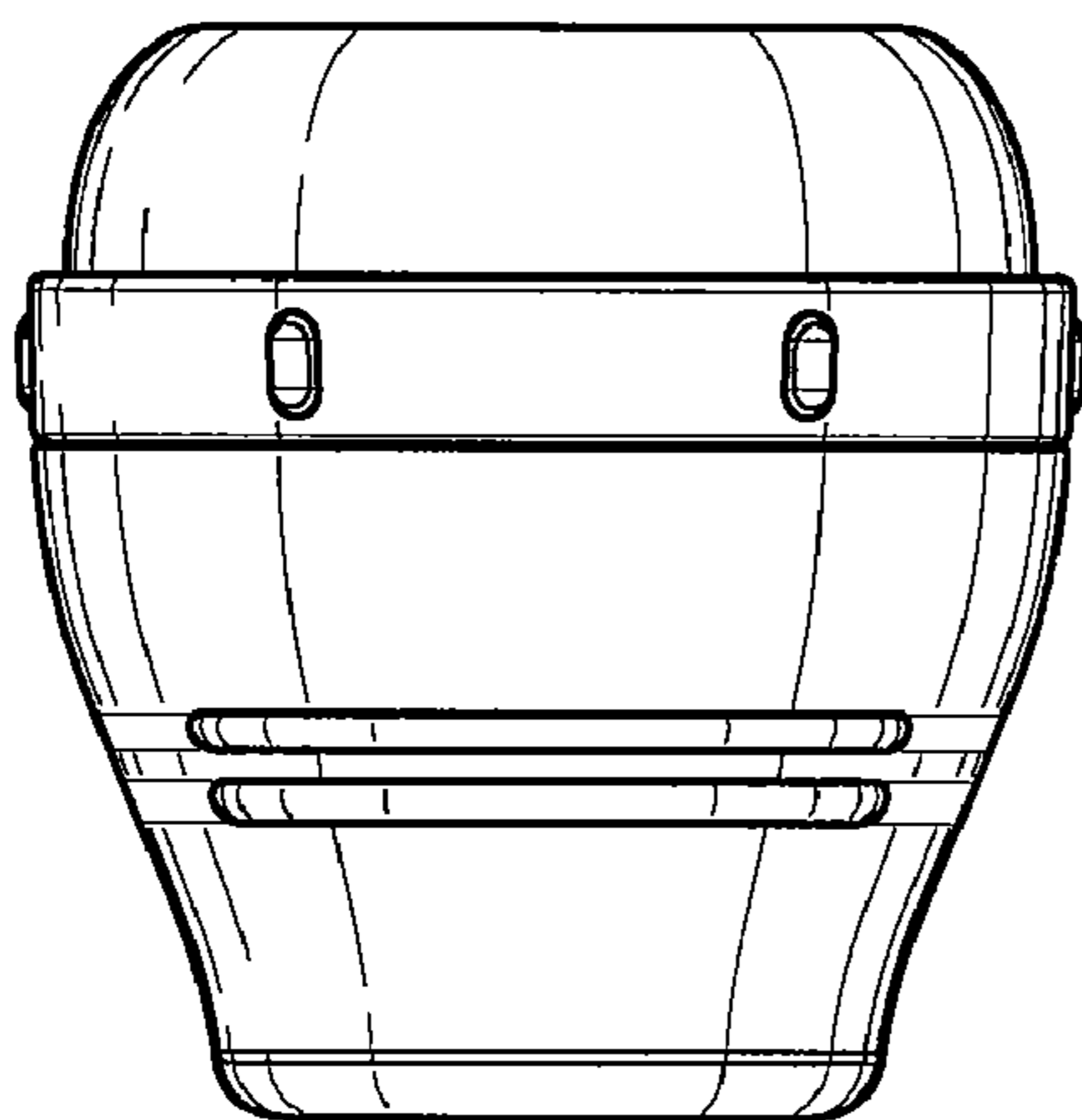


FIG. 6

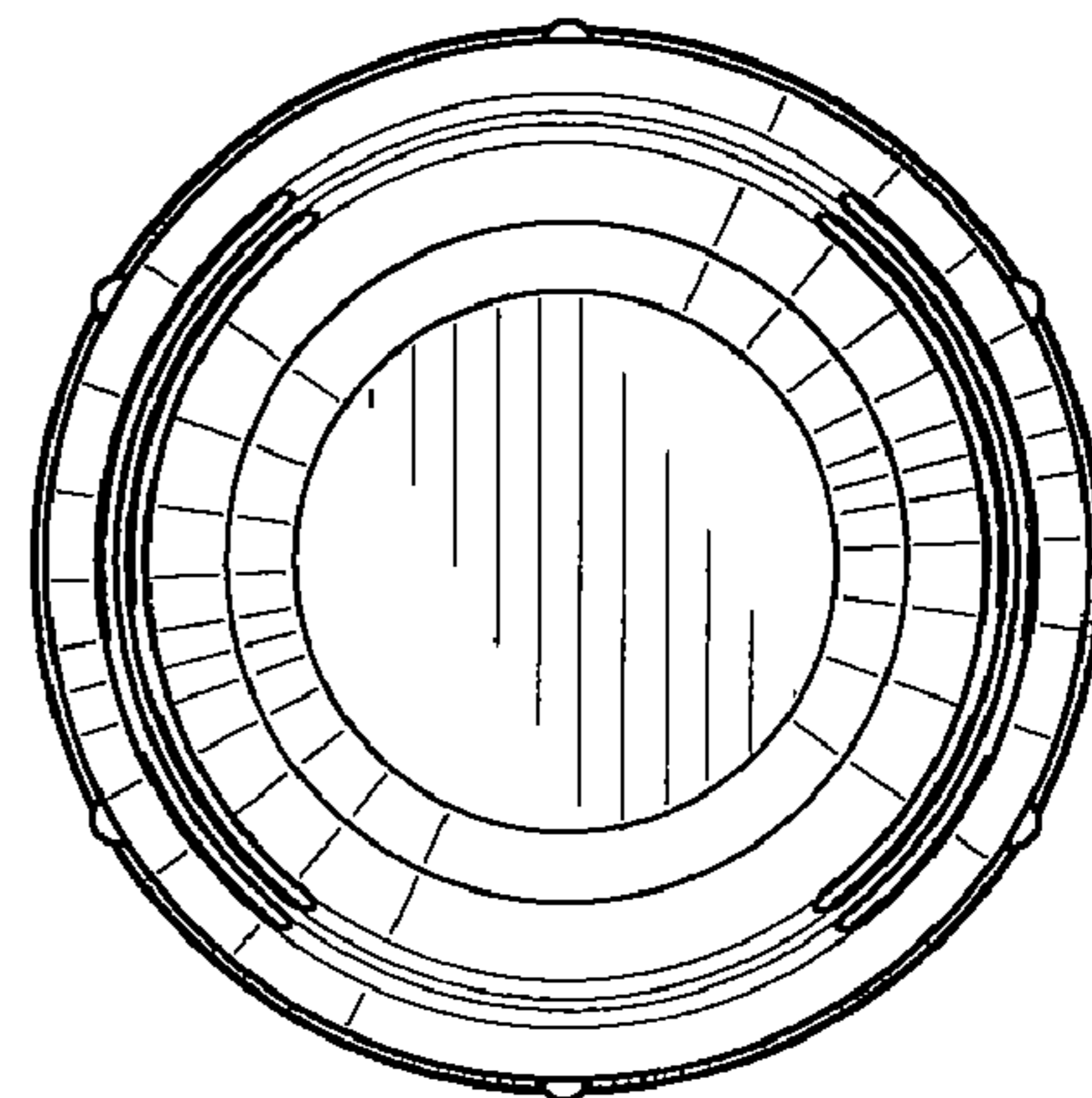


FIG. 5

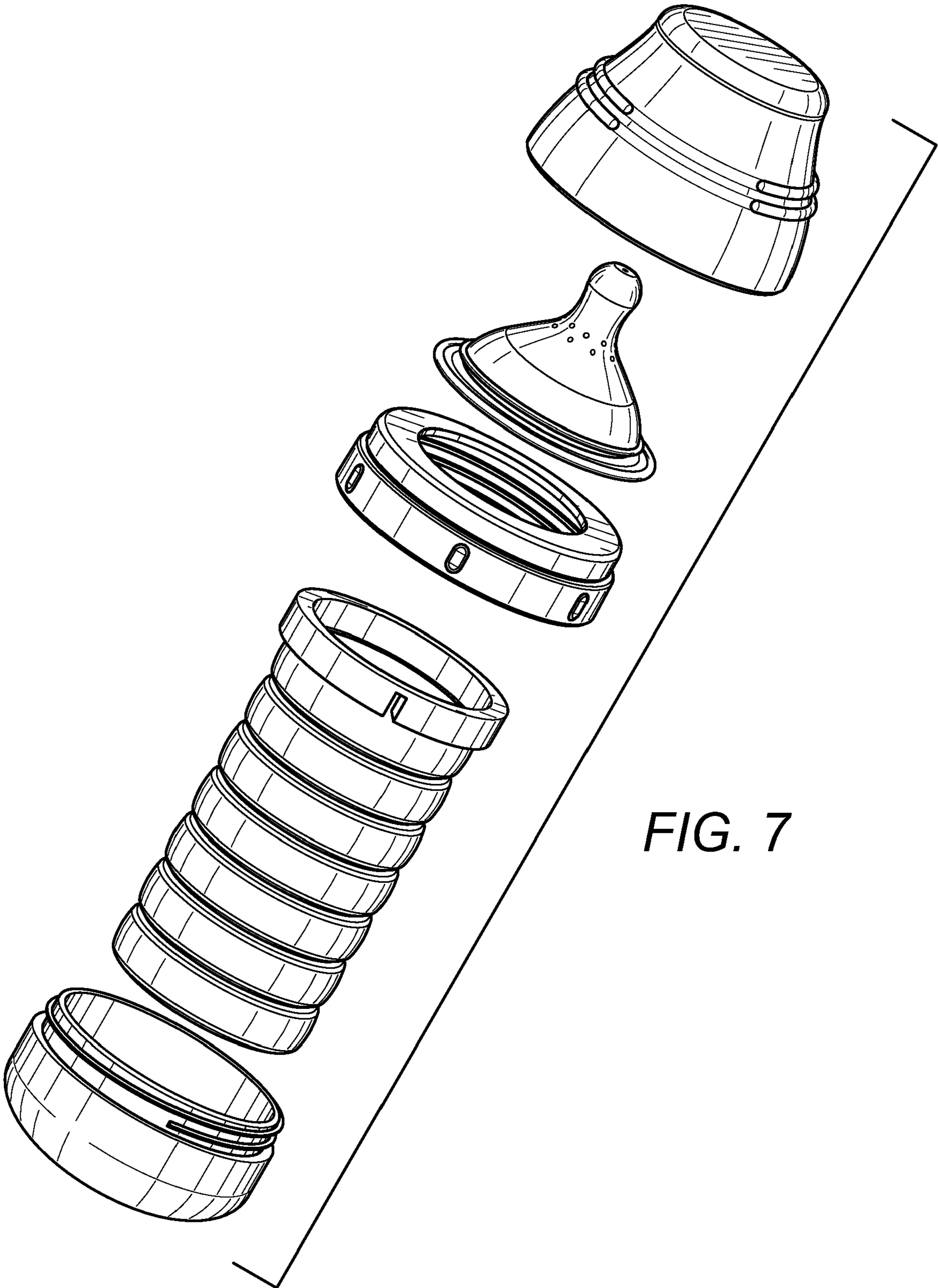


FIG. 7

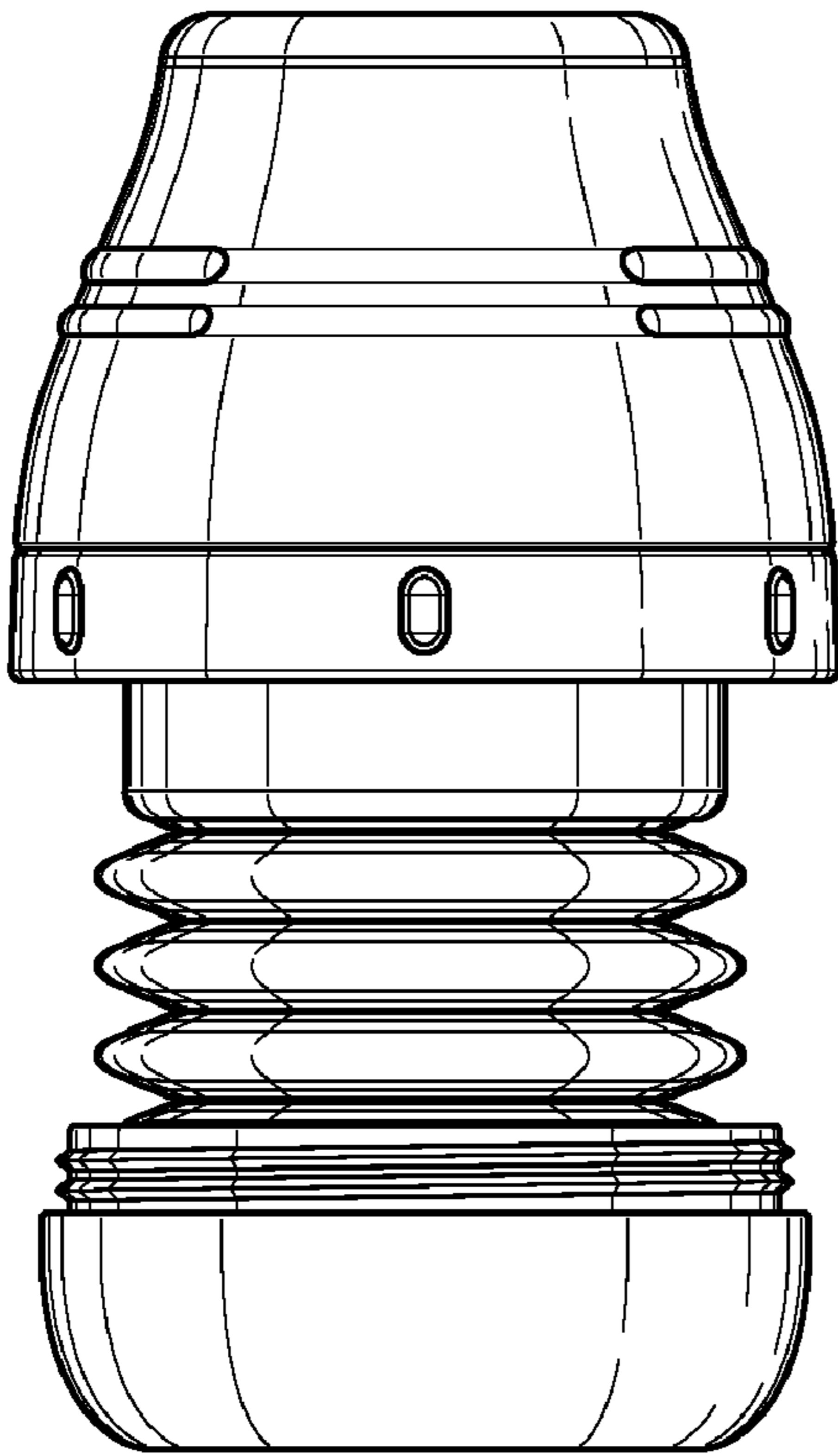


FIG. 8

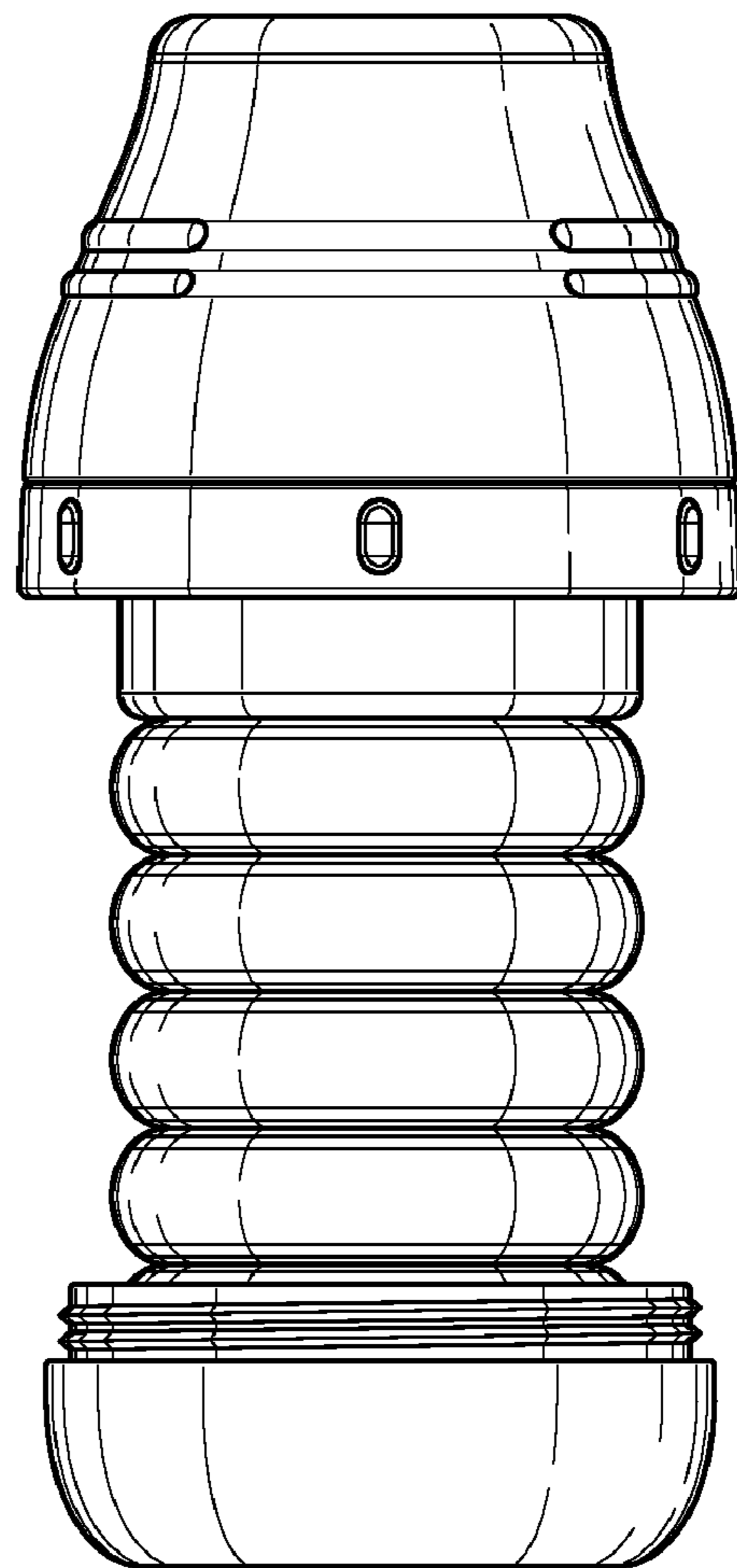


FIG. 9