



US00D590946S

(12) **United States Design Patent**
Baynham

(10) **Patent No.:** **US D590,946 S**

(45) **Date of Patent:** **** Apr. 21, 2009**

(54) **BONE SCRAPER**

(75) Inventor: **Matthew G. Baynham**, Jupiter, FL (US)

(73) Assignee: **Atlas Spine, Inc.**, Jupiter, FL (US)

(**) Term: **14 Years**

(21) Appl. No.: **29/319,339**

(22) Filed: **Jun. 6, 2008**

(51) **LOC (9) Cl.** **24-02**

(52) **U.S. Cl.** **D24/146**

(58) **Field of Classification Search** D24/144,
D24/133, 146, 147, 140, 135, 111; 606/160,
606/79, 84-85

See application file for complete search history.

(56) **References Cited**

U.S. PATENT DOCUMENTS

D318,116 S *	7/1991	Michelson	D24/147
D363,544 S *	10/1995	Rowland et al.	D24/140
D390,659 S *	2/1998	Chan et al.	D24/133
D447,237 S *	8/2001	Huttner et al.	D24/147
D449,888 S *	10/2001	Huttner	D24/147
D450,676 S *	11/2001	Huttner	D24/147
D483,870 S *	12/2003	Scheller et al.	D24/146
D511,002 S *	10/2005	Easley	D24/144
D515,213 S *	2/2006	Huttner	D24/147

D535,744 S *	1/2007	Wright	D24/135
D544,094 S *	6/2007	Kustasz	D24/111
D546,948 S *	7/2007	Huttner	D24/147

* cited by examiner

Primary Examiner—Ian Simmons

Assistant Examiner—Anna J Burmeister

(74) *Attorney, Agent, or Firm*—McHale & Slavin, P.A.

(57) **CLAIM**

The ornamental design for a bone scraper, as shown and described.

DESCRIPTION

FIG. 1 is a perspective view of the bone scraper of the instant invention;

FIG. 2 is a top view thereof;

FIG. 3 is a left side view thereof;

FIG. 4 is a bottom view thereof;

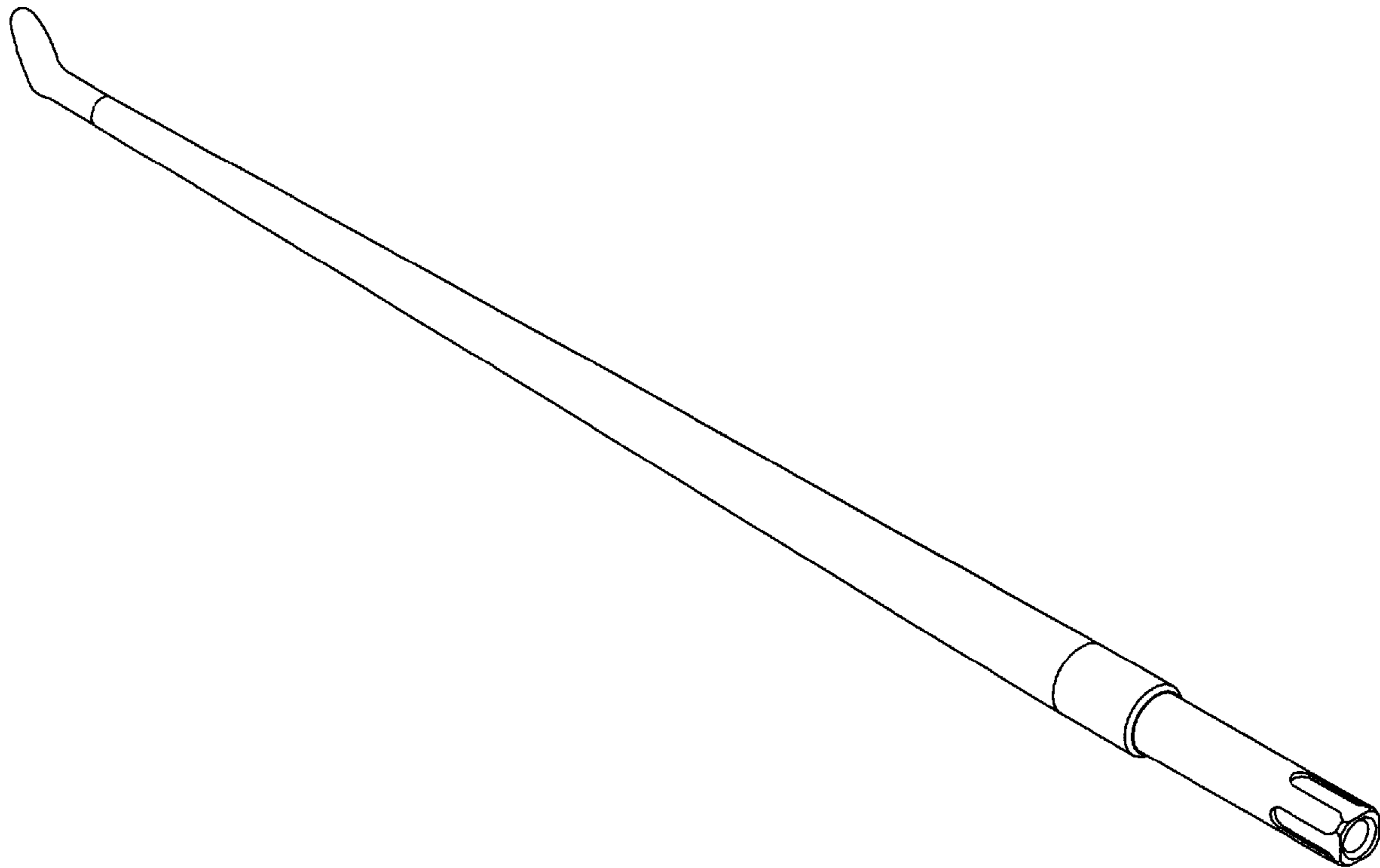
FIG. 5 is a right side view thereof;

FIG. 6 is a front end view thereof;

FIG. 7 is a rear end view thereof; and,

FIG. 8 is a perspective view thereof, shown as an enlarged partial view of FIG. 1, with the dashed lines showing the boundary of the figure.

1 Claim, 2 Drawing Sheets



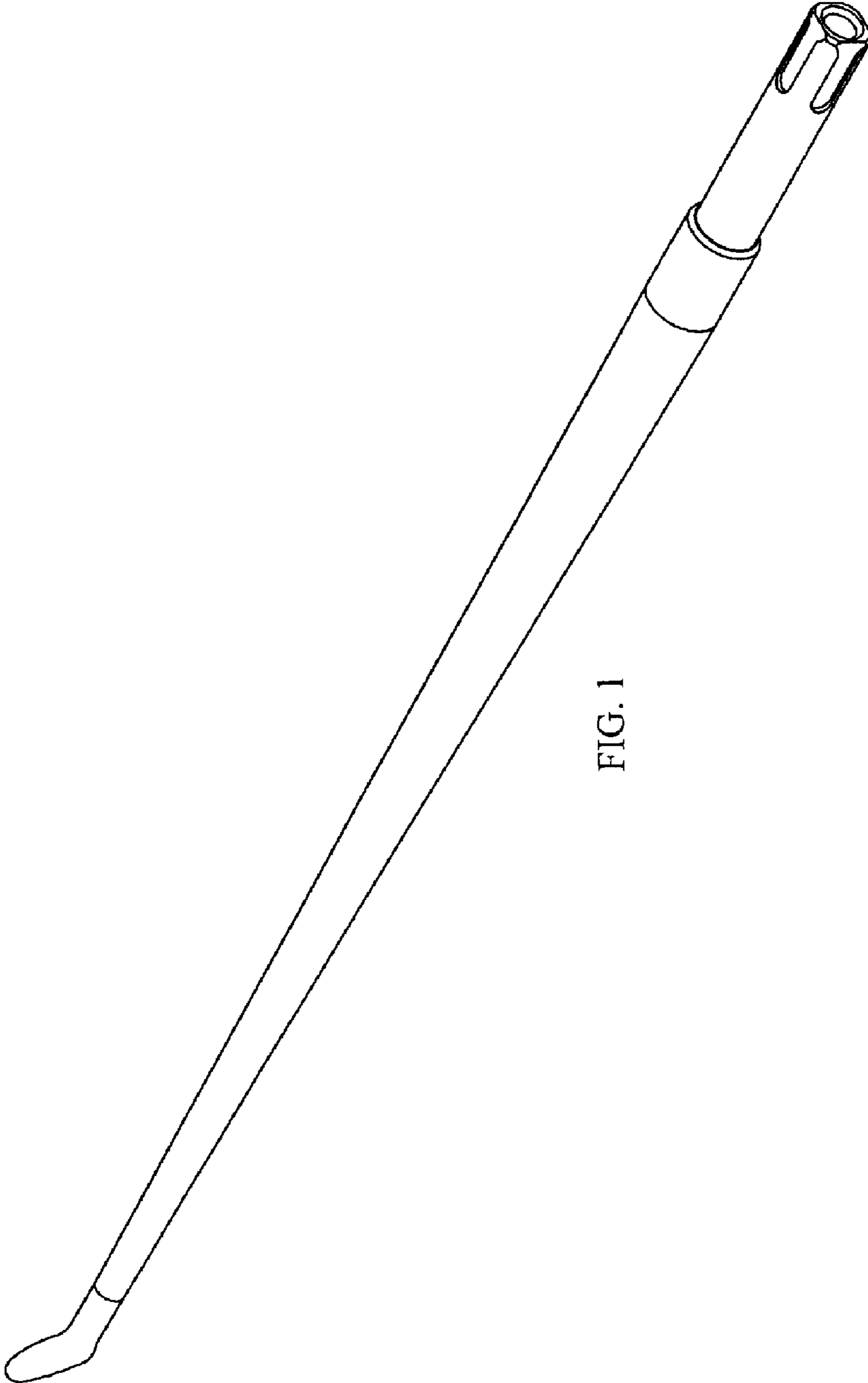


FIG. 1

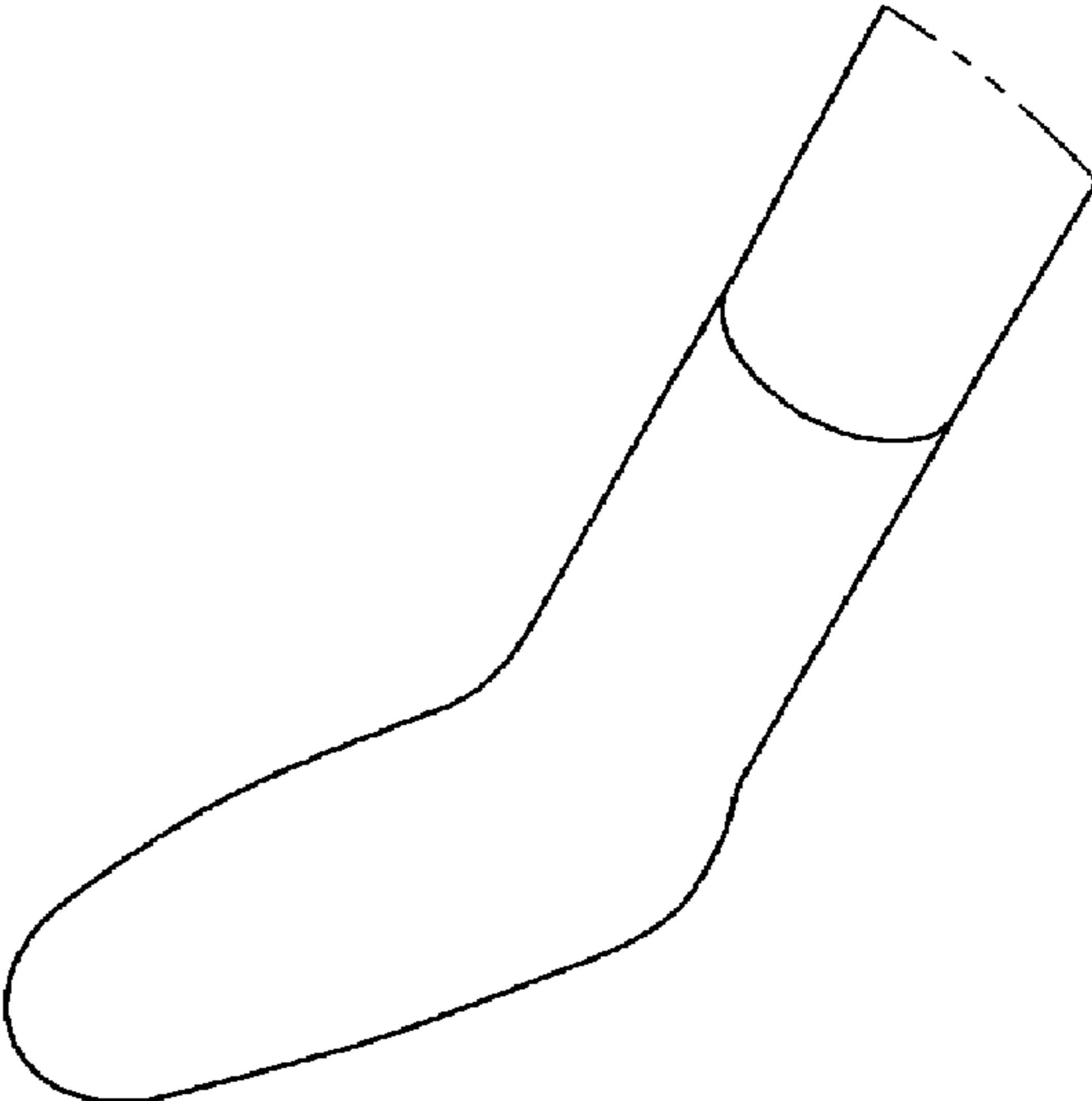


FIG. 8



FIG. 5



FIG. 7



FIG. 2



FIG. 6

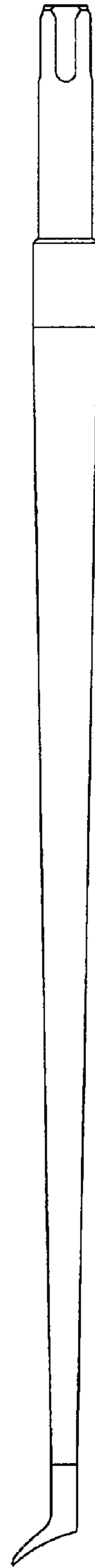


FIG. 3



FIG. 4