



US00D590942S

(12) **United States Design Patent**
Petersen

(10) **Patent No.:** **US D590,942 S**

(45) **Date of Patent:** **** *Apr. 21, 2009**

(54) **SYRINGE TIP**

(76) Inventor: **Johan Petersen**, 49 Whispering Dr.,
Streamwood, IL (US) 60107

(**) Term: **14 Years**

(21) Appl. No.: **29/276,726**

(22) Filed: **Feb. 2, 2007**

(51) **LOC (9) Cl.** **24-02**

(52) **U.S. Cl.** **D24/130**

(58) **Field of Classification Search** D24/112,
D24/130, 222, 114, 113, 108; 604/93, 164-167,
604/187-189, 192-194, 198, 208, 218, 223,
604/232, 240, 241, 243, 263-264, 272, 283,
604/411, 412

See application file for complete search history.

(56) **References Cited**

U.S. PATENT DOCUMENTS

5,685,862	A *	11/1997	Mahurkar	604/194
D461,243	S *	8/2002	Niedospial, Jr.	D24/130
6,749,590	B2 *	6/2004	Niedospial, Jr.	604/218
6,945,958	B2 *	9/2005	Stewart	604/110
6,979,307	B2 *	12/2005	Beretta et al.	604/6.01
7,223,253	B2 *	5/2007	Hogendijk	604/6.12
2004/0015136	A1 *	1/2004	Stewart	604/198
2004/0039340	A1 *	2/2004	Prais et al.	604/198
2004/0220533	A1 *	11/2004	Caizza et al.	604/264
2005/0054986	A1 *	3/2005	Simpson et al.	604/192

2006/0178639	A1 *	8/2006	Eric et al.	604/192
2006/0235364	A1 *	10/2006	O'Hare et al.	604/411
2006/0253081	A1 *	11/2006	Paulos et al.	604/187
2006/0264824	A1 *	11/2006	Swisher, III	604/110
2006/0264828	A1 *	11/2006	Woehr et al.	604/110
2006/0282044	A1 *	12/2006	Mohammed	604/192

* cited by examiner

Primary Examiner—T. Chase Nelson

Assistant Examiner—Eric L Goodman

(74) *Attorney, Agent, or Firm*—Trexler, Bushnell, Giangiogi,
Blackstone & Marr, Ltd.

(57) **CLAIM**

I claim the ornamental design for a syringe tip, as shown and described.

DESCRIPTION

FIG. 1 is a side perspective view of a syringe tip;

FIG. 2 is another side perspective view of the syringe tip of FIG. 1;

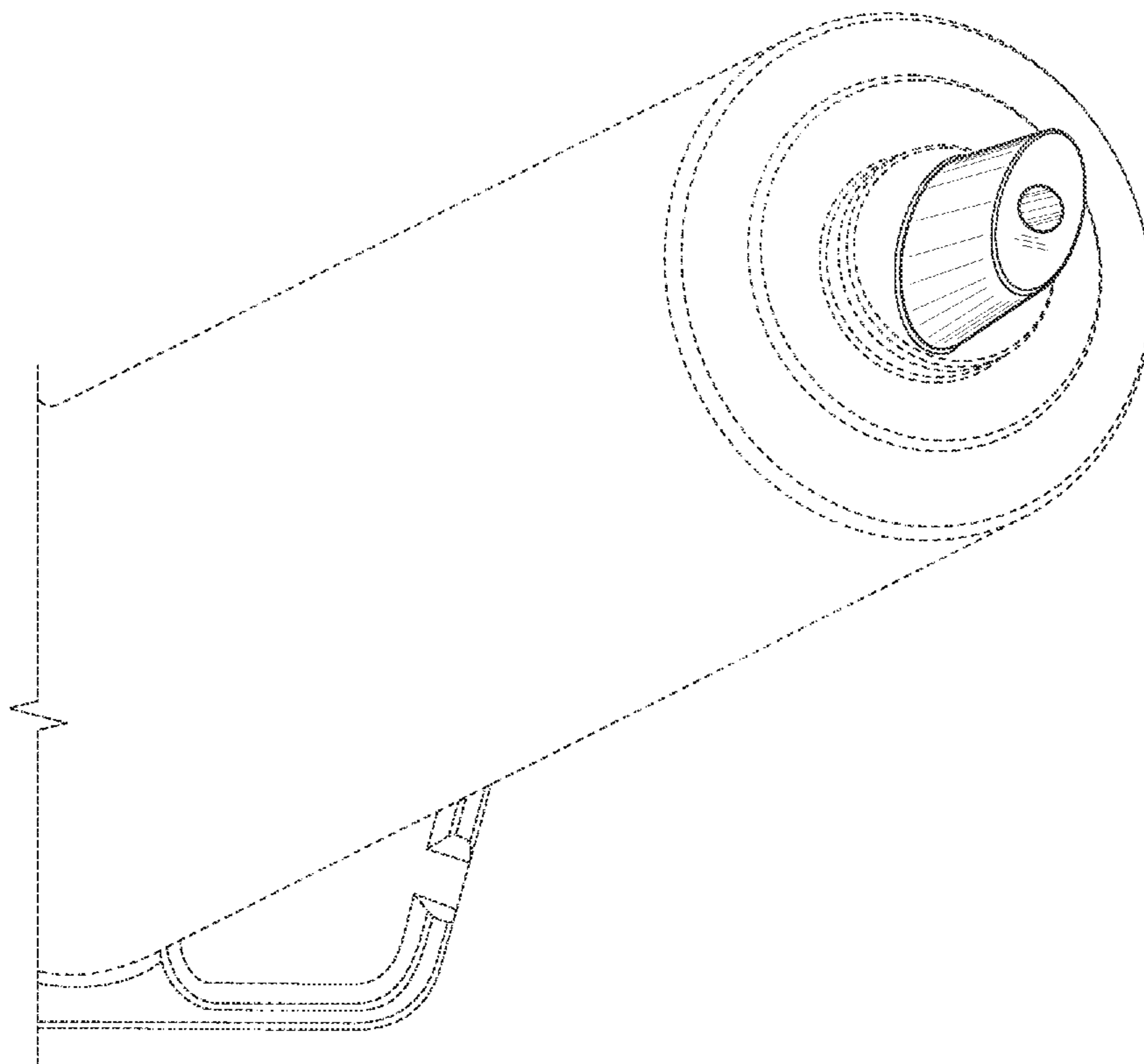
FIG. 3 is a side elevation view of the syringe tip of FIG. 1;

FIG. 4 is another side elevation view of the syringe tip of FIG. 1; and,

FIG. 5 is a top plan view of the syringe tip of FIG. 1.

The portions of the syringe shown in broken lines form no part of the claimed design.

1 Claim, 3 Drawing Sheets



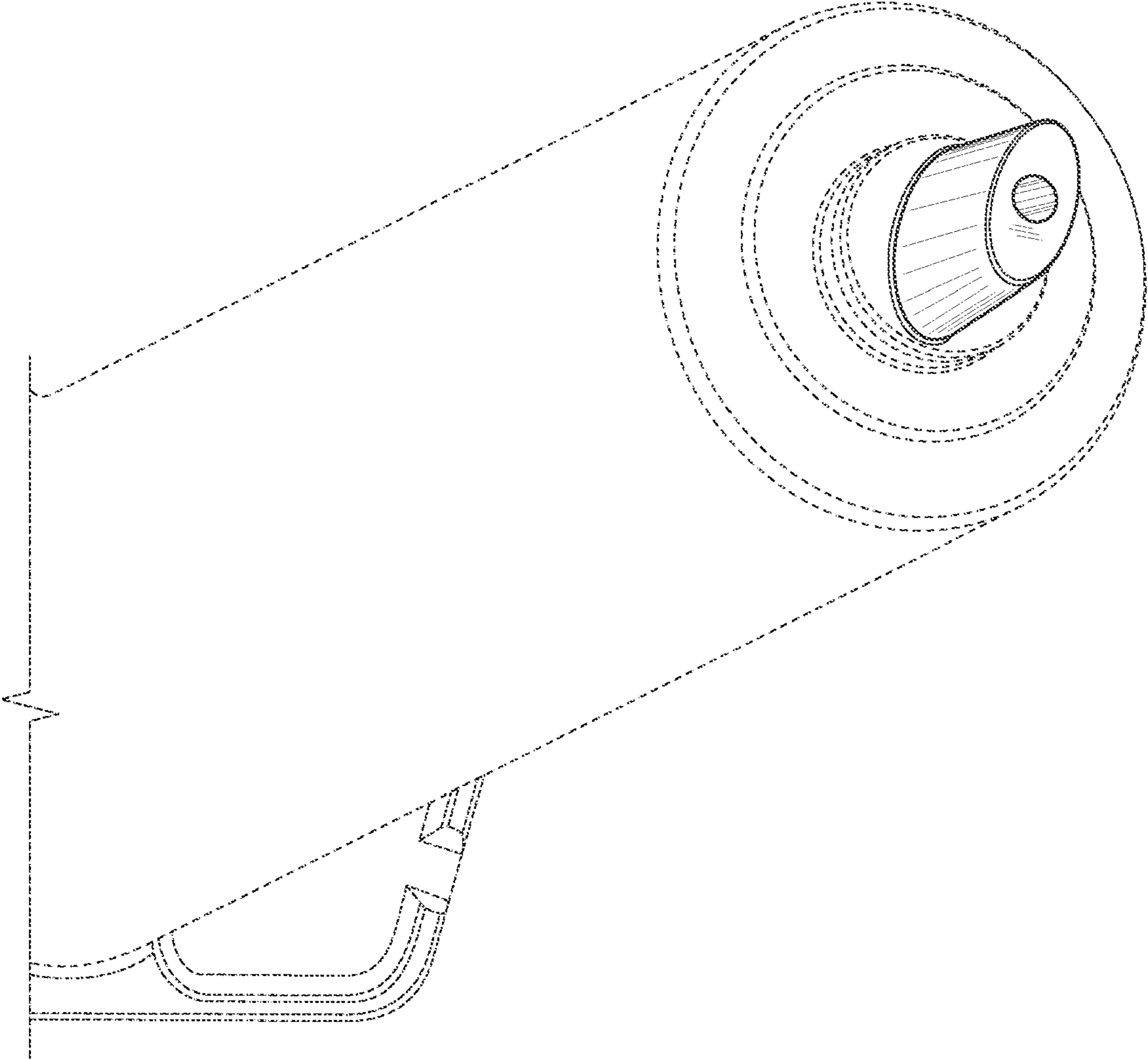


FIG. 1

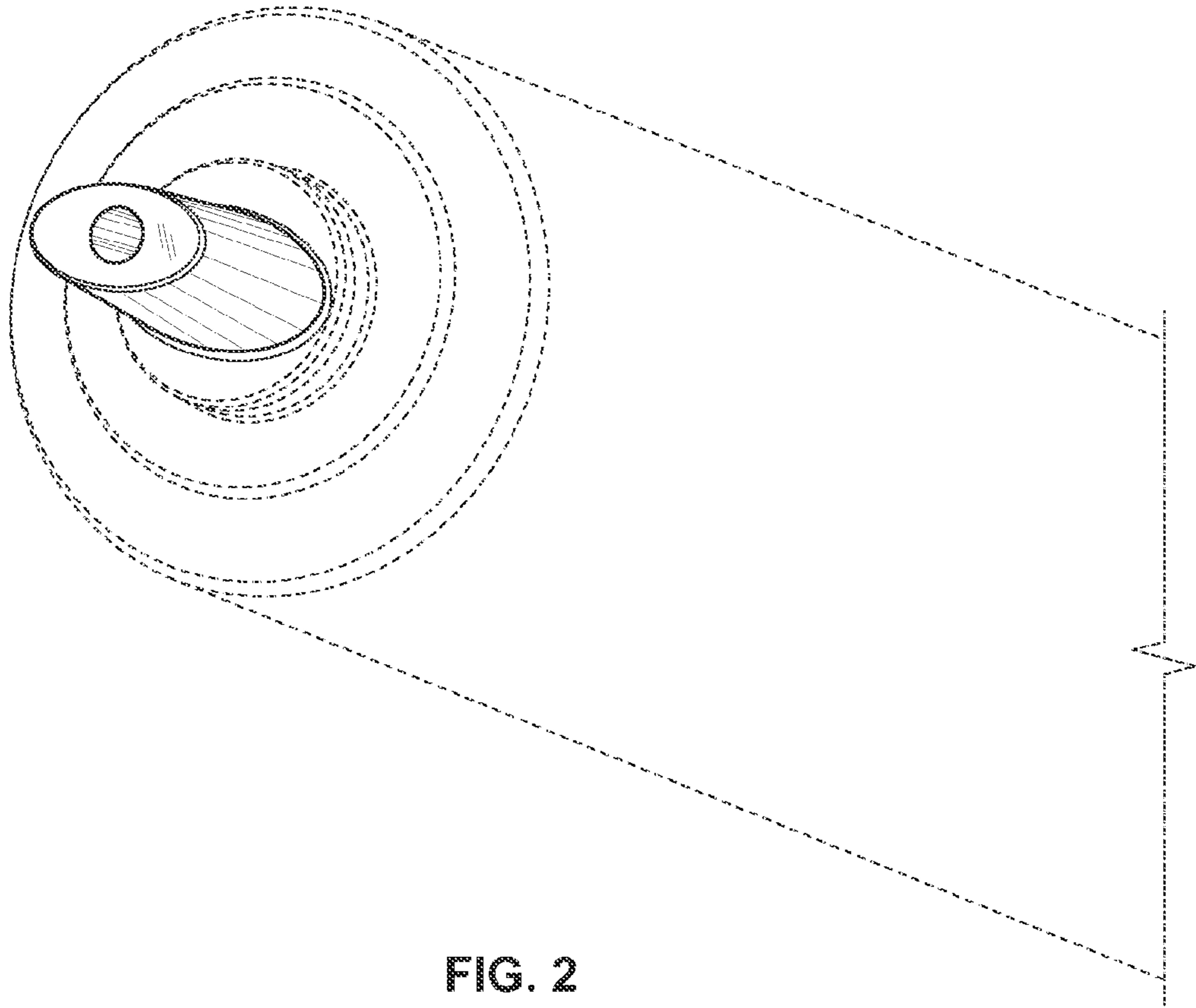


FIG. 2

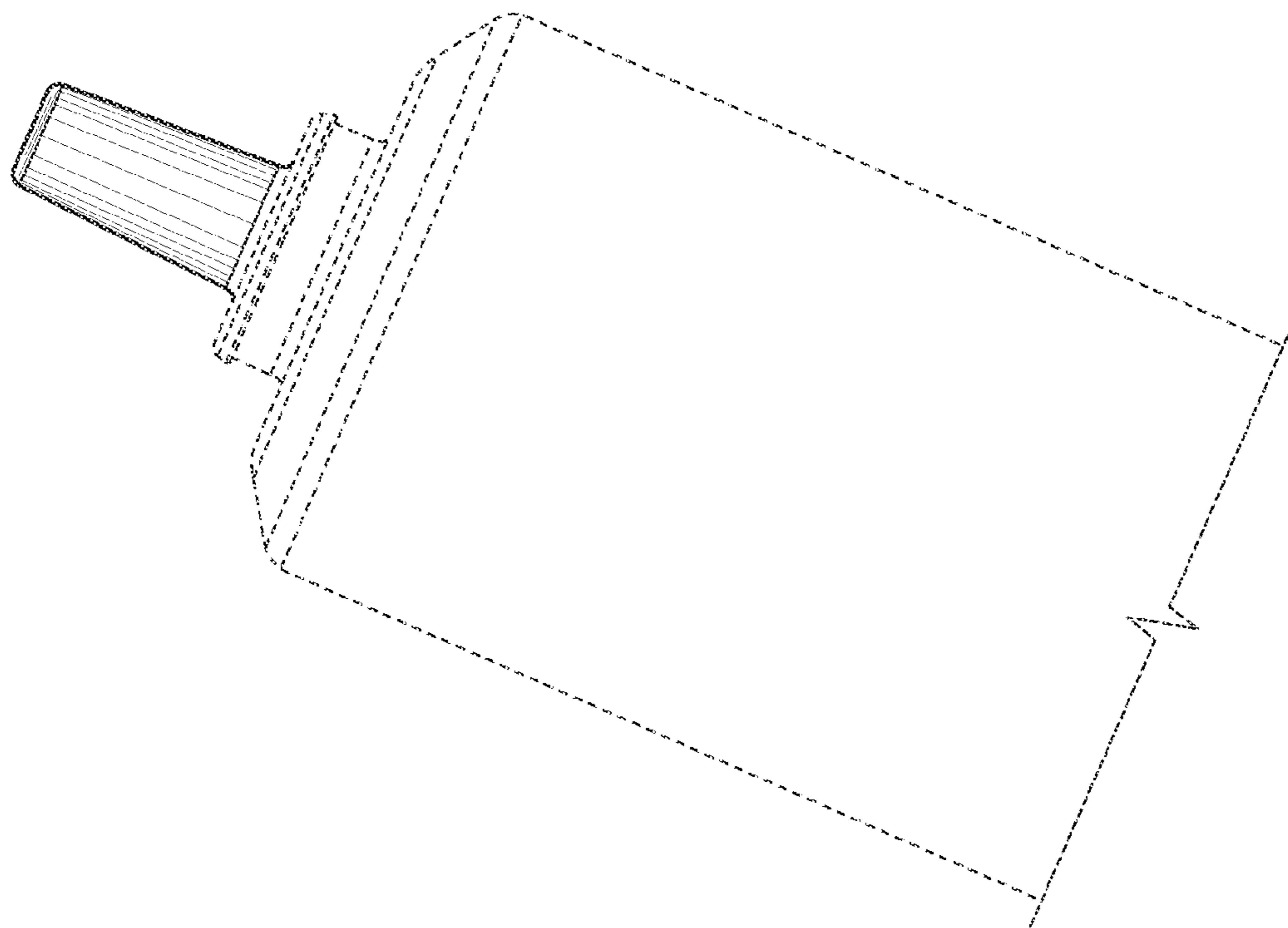


FIG. 3

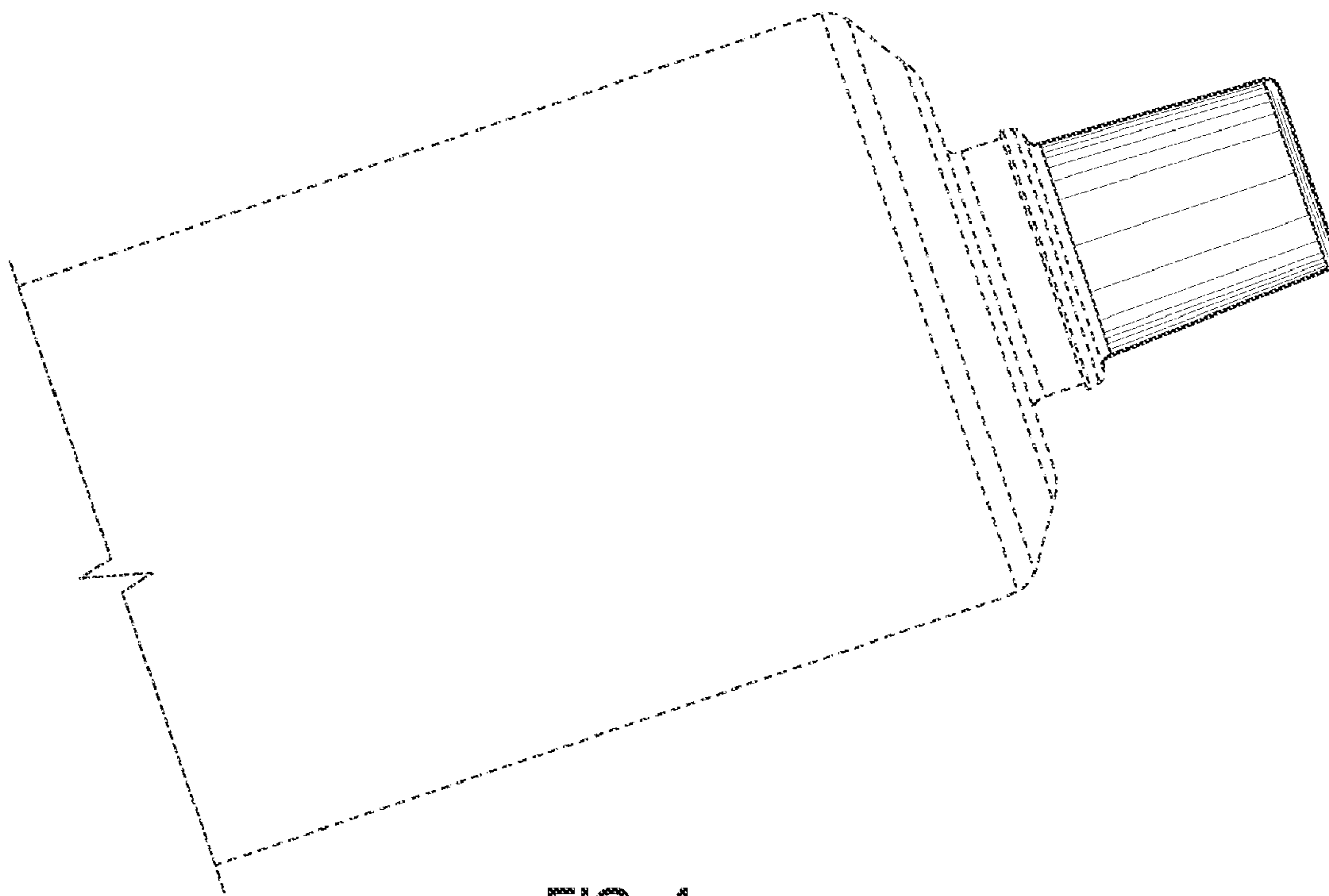


FIG. 4

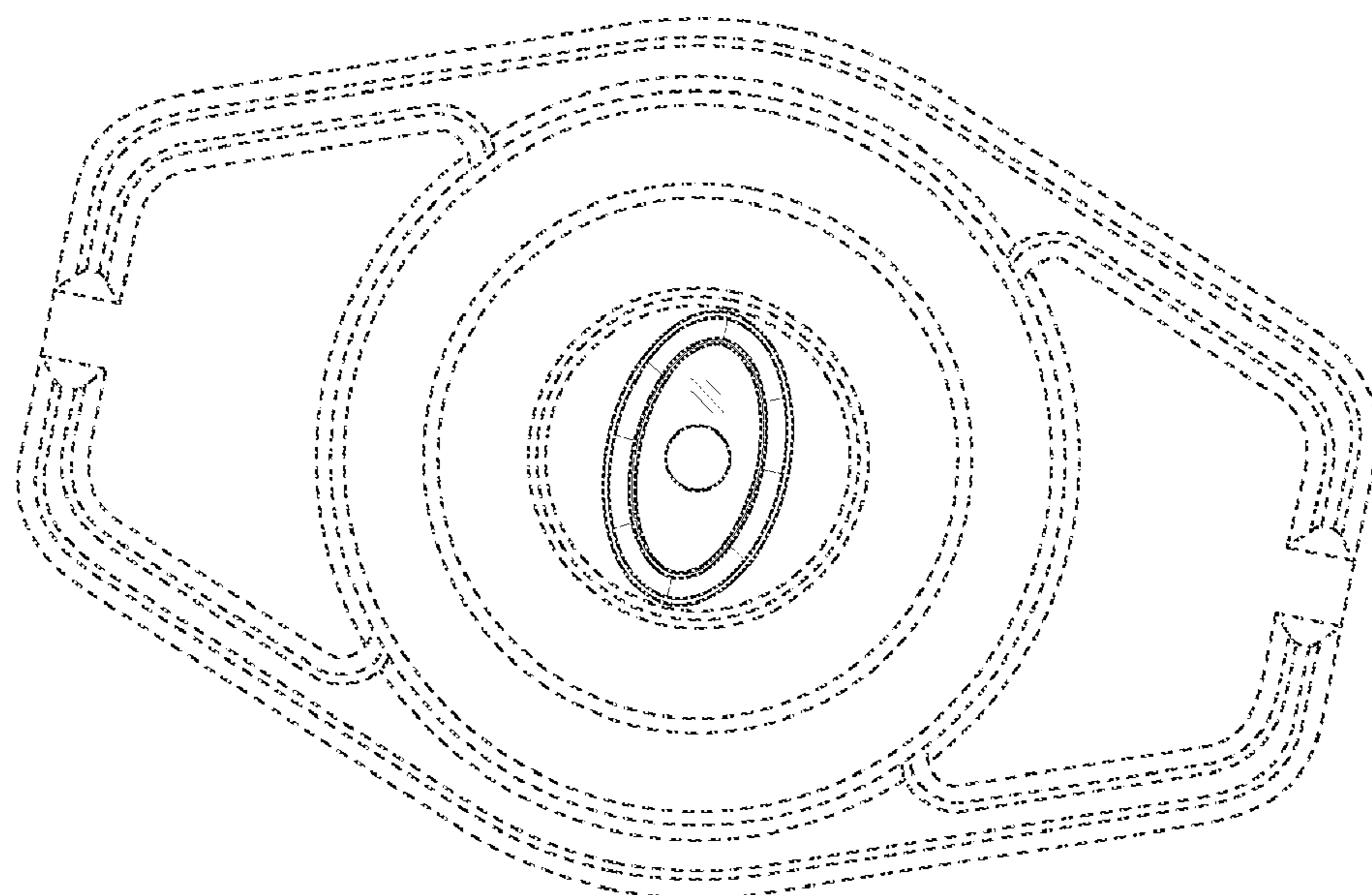


FIG. 5