

US00D590939S

(12) **United States Design Patent**
Lulla et al.

(10) **Patent No.:** **US D590,939 S**

(45) **Date of Patent:** **** *Apr. 21, 2009**

(54) **BODY**

(75) Inventors: **Amar Lulla**, Mumbai (IN); **Xerxes Rao**, Mumbai (IN)

(73) Assignee: **Cipla Limited**, Maharashtra (IN)

(*) Notice: This patent is subject to a terminal disclaimer.

(**) Term: **14 Years**

(21) Appl. No.: **29/302,223**

(22) Filed: **Jan. 11, 2008**

(30) **Foreign Application Priority Data**

Jul. 13, 2007 (IN) 211213

(51) **LOC (9) Cl.** **29-02**

(52) **U.S. Cl.** **D24/110**

(58) **Field of Classification Search** D24/110
See application file for complete search history.

(56) **References Cited**

U.S. PATENT DOCUMENTS

4,971,221 A 11/1990 Urquhart et al.
D391,369 S * 2/1998 Anderson D24/110
D450,117 S * 11/2001 Braithwaite et al. D24/110
6,328,034 B1 12/2001 Eisele et al.

D518,171 S * 3/2006 Anderson et al. D24/110
D560,793 S * 1/2008 Pearl et al. D24/110
7,395,821 B2 7/2008 Lulla et al.
2002/0170560 A1 11/2002 Young et al.
2004/0035420 A1* 2/2004 Davies et al. 128/203.15
2004/0173211 A1 9/2004 Kladders et al.
2005/0172963 A1* 8/2005 Allan et al. 128/203.15

* cited by examiner

Primary Examiner—Ian Simmons

Assistant Examiner—Christopher Lee

(74) *Attorney, Agent, or Firm*—Knobbe Martens Olson & Bear LLP

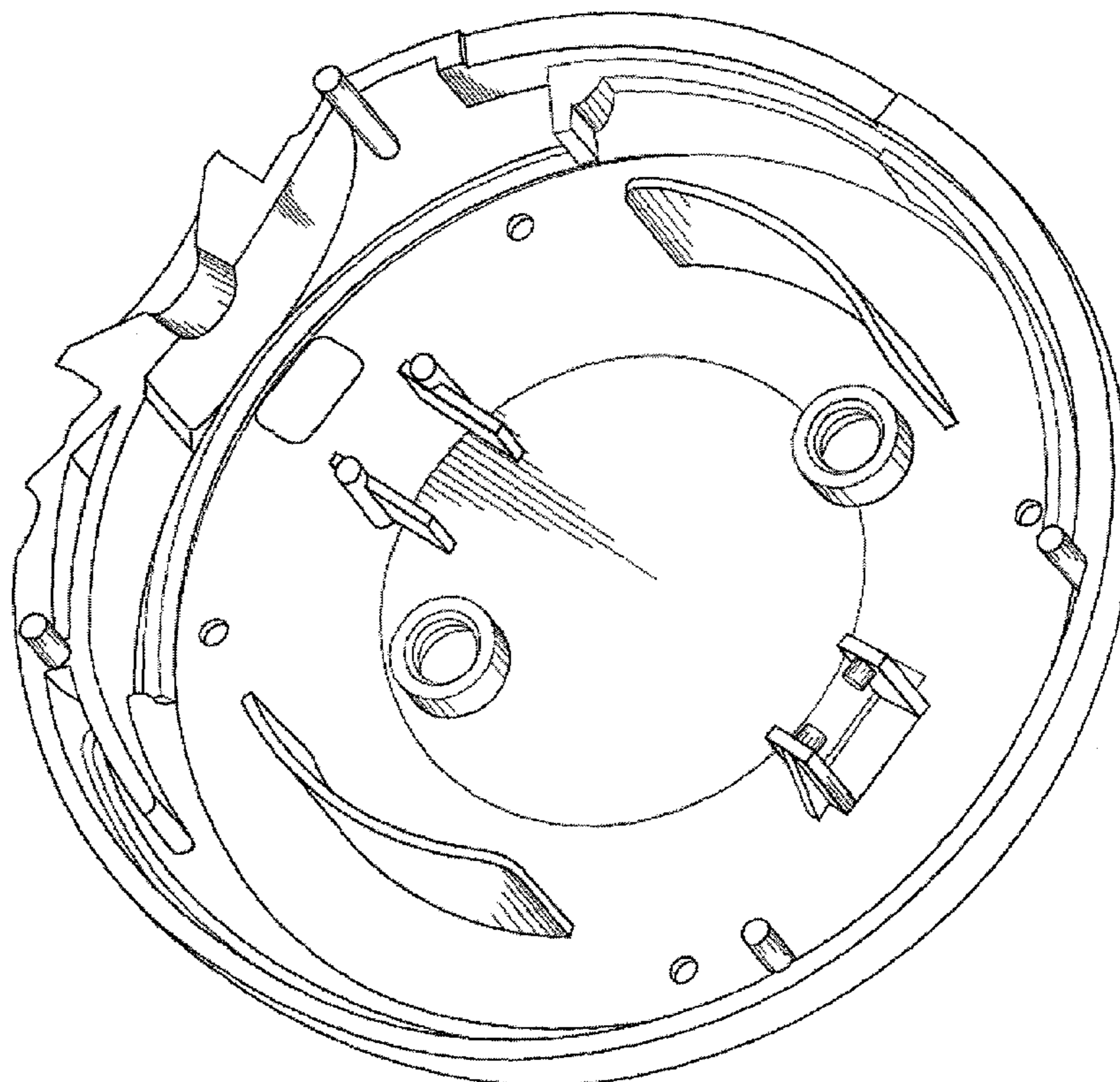
(57) **CLAIM**

The ornamental design for a body, as shown and described.

DESCRIPTION

FIG. 1 is a top view thereof;
FIG. 2 is a front view thereof;
FIG. 3 is a back view thereof;
FIG. 4 is a left side view thereof;
FIG. 5 is a right side view thereof;
FIG. 6 is a bottom view thereof; and,
FIG. 7 is a perspective view thereof.

1 Claim, 7 Drawing Sheets



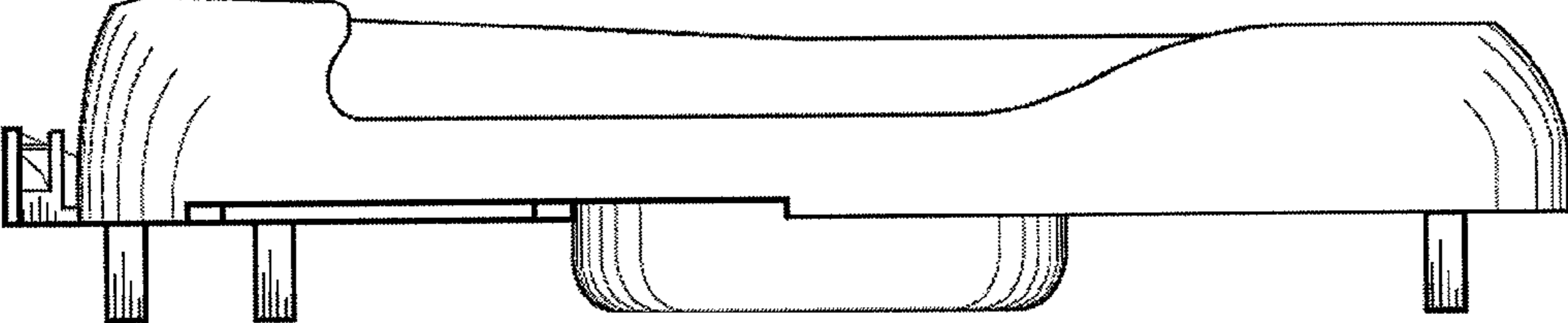


FIG 1

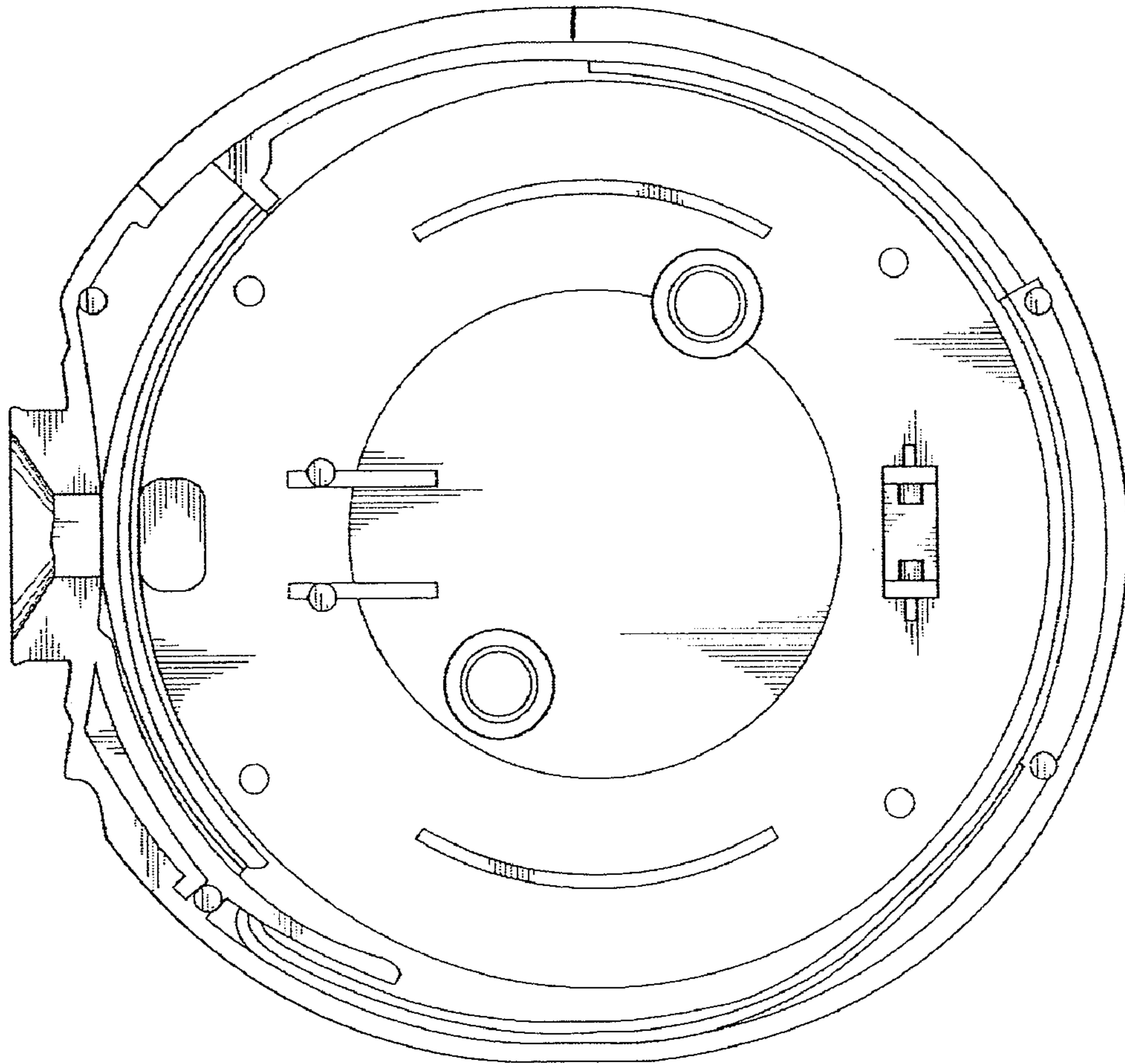


FIG. 2

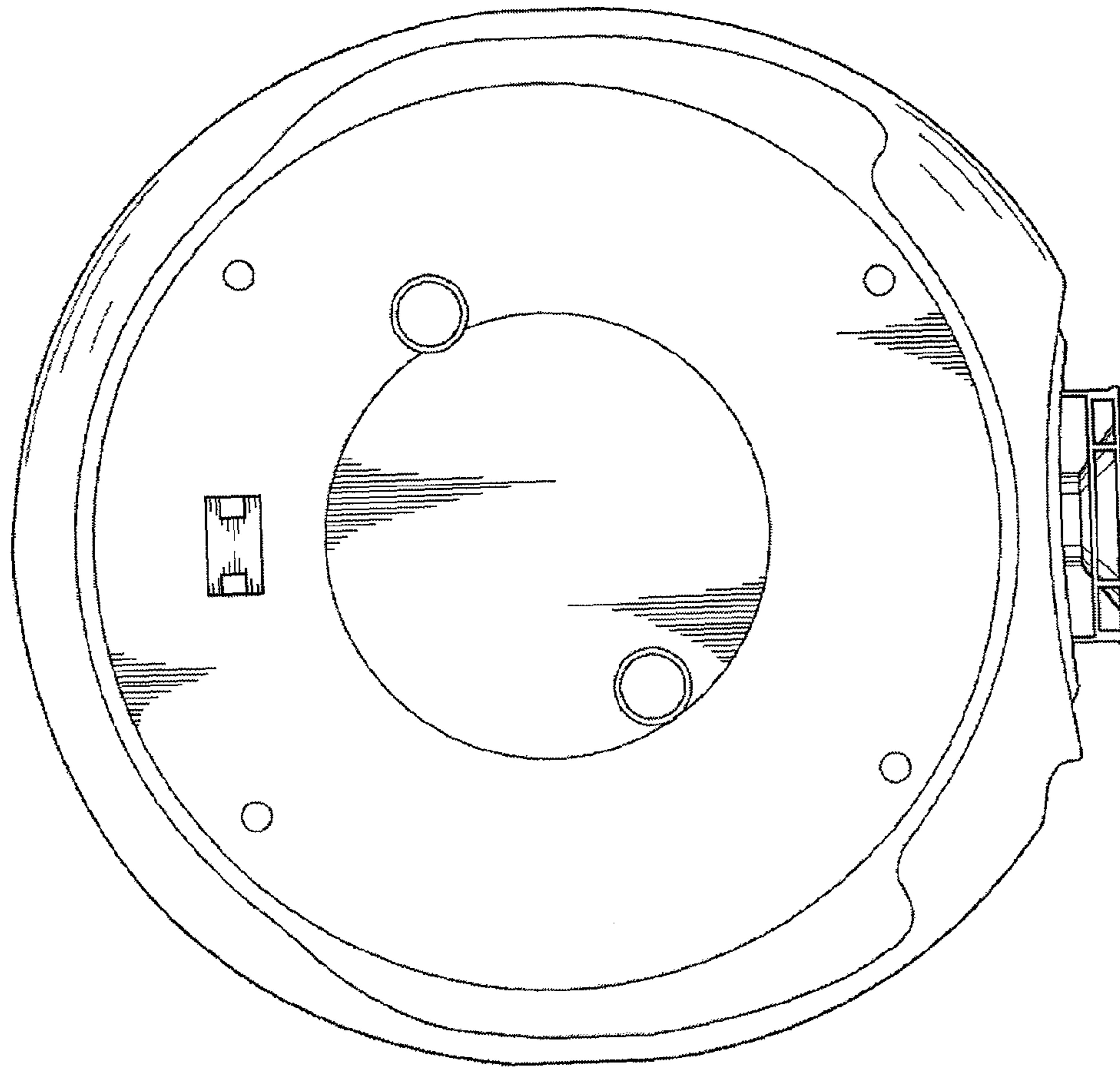


FIG 3

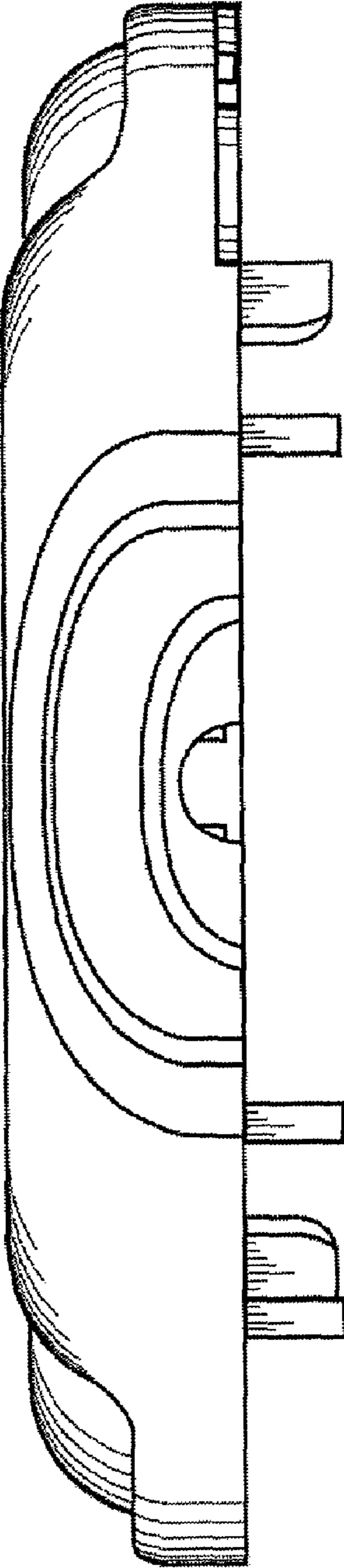


FIG 4

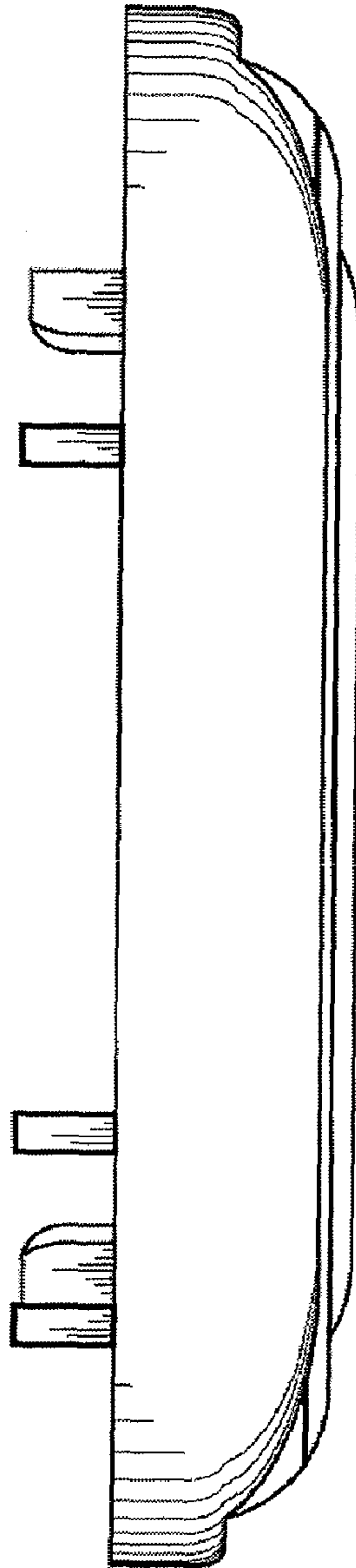


FIG 5

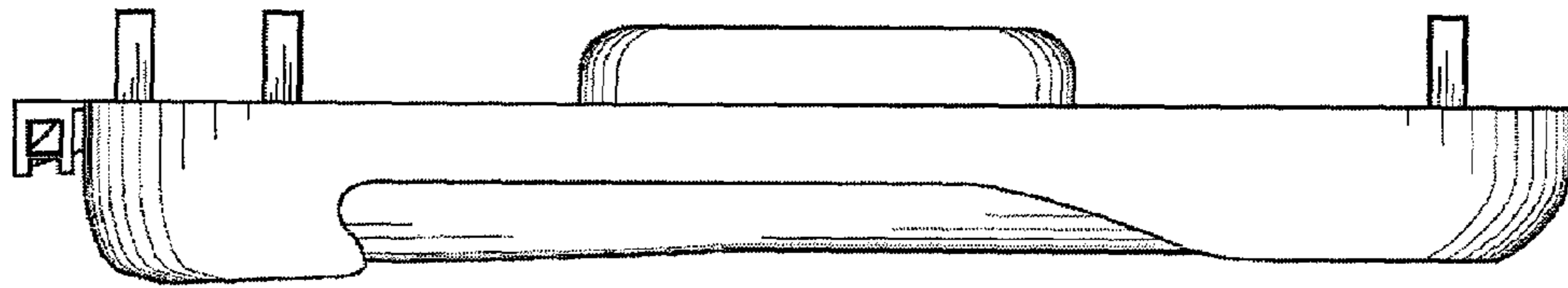


FIG 6

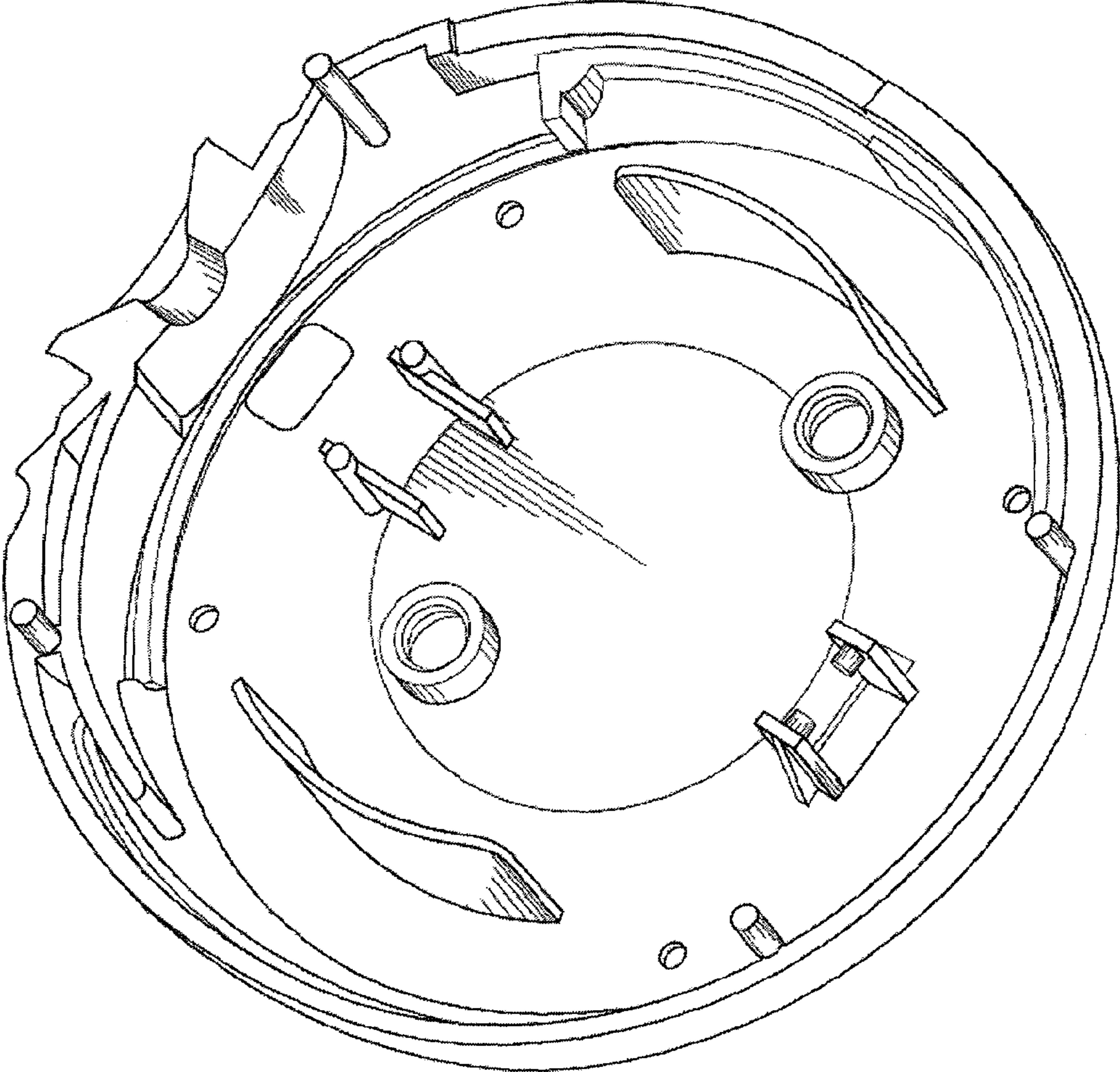


FIG 7