

US00D590938S

(12) **United States Design Patent**
Lulla et al.

(10) **Patent No.:** **US D590,938 S**

(45) **Date of Patent:** **** *Apr. 21, 2009**

(54) **MULTIDOSE INHALER**

(75) Inventors: **Amar Lulla**, Mumbai (IN); **Xerxes Rao**,
Mumbai (IN)

(73) Assignee: **Cipla Limited**, Maharashtra (IN)

(*) Notice: This patent is subject to a terminal dis-
claimer.

(**) Term: **14 Years**

(21) Appl. No.: **29/302,209**

(22) Filed: **Jan. 11, 2008**

(30) **Foreign Application Priority Data**

Jul. 13, 2007 (IN) 211208

(51) **LOC (9) Cl.** **29-02**

(52) **U.S. Cl.** **D24/110**

(58) **Field of Classification Search** D24/110
See application file for complete search history.

(56) **References Cited**

U.S. PATENT DOCUMENTS

- D342,994 S * 1/1994 Rand et al. D24/110
- D379,506 S * 5/1997 Maher D24/110
- D391,369 S * 2/1998 Anderson D24/110
- D395,499 S * 6/1998 Eisele et al. D24/110
- D412,978 S * 8/1999 Cameron D24/110
- D450,117 S * 11/2001 Braithwaite et al. D24/110

- D452,910 S * 1/2002 Braithwaite et al. D24/110
- D518,171 S * 3/2006 Anderson et al. D24/110
- D560,793 S * 1/2008 Pearl et al. D24/110
- D569,967 S * 5/2008 Pearl et al. D24/110
- 2004/0035420 A1 * 2/2004 Davies et al. 128/203.15

OTHER PUBLICATIONS

U.S. Appl. No. 29/295,475, filed Sep. 28, 2007, titled "Multidose Inhaler", listing Amar Lulla and Xerxes Rao as inventors.

* cited by examiner

Primary Examiner—Ian Simmons

Assistant Examiner—Christopher Lee

(74) *Attorney, Agent, or Firm*—Knobbe Martens Olson & Bear LLP

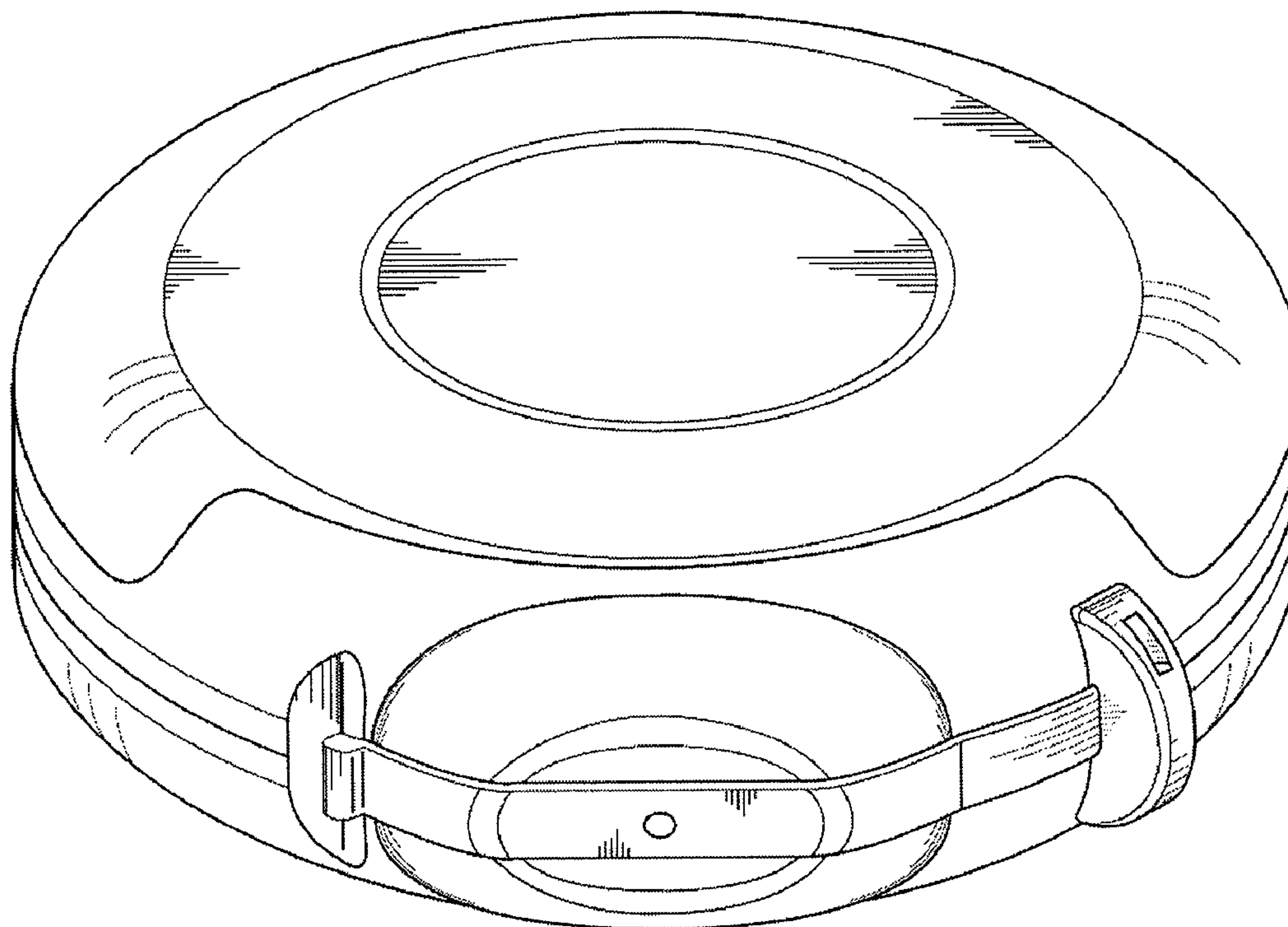
(57) **CLAIM**

The ornamental design for a multidose inhaler, as shown and described.

DESCRIPTION

- FIG. 1 is a top view thereof;
- FIG. 2 is a front view thereof;
- FIG. 3 is a back view thereof;
- FIG. 4 is a left side view thereof;
- FIG. 5 is a right side view thereof;
- FIG. 6 is a bottom view thereof; and,
- FIG. 7 is a perspective view thereof.

1 Claim, 7 Drawing Sheets



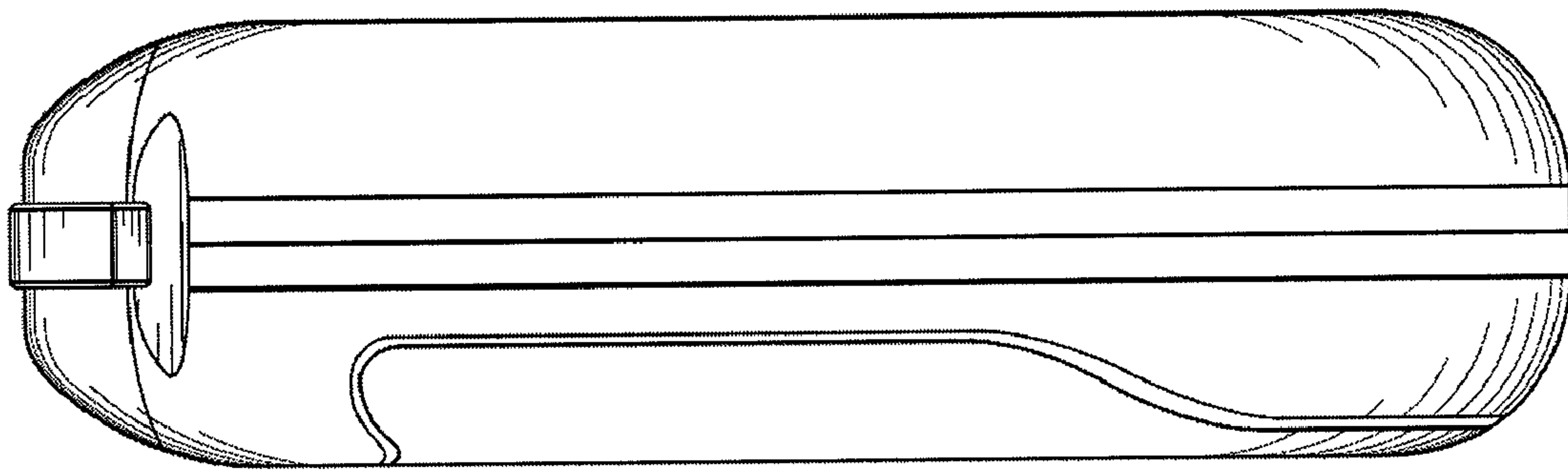


FIG 1

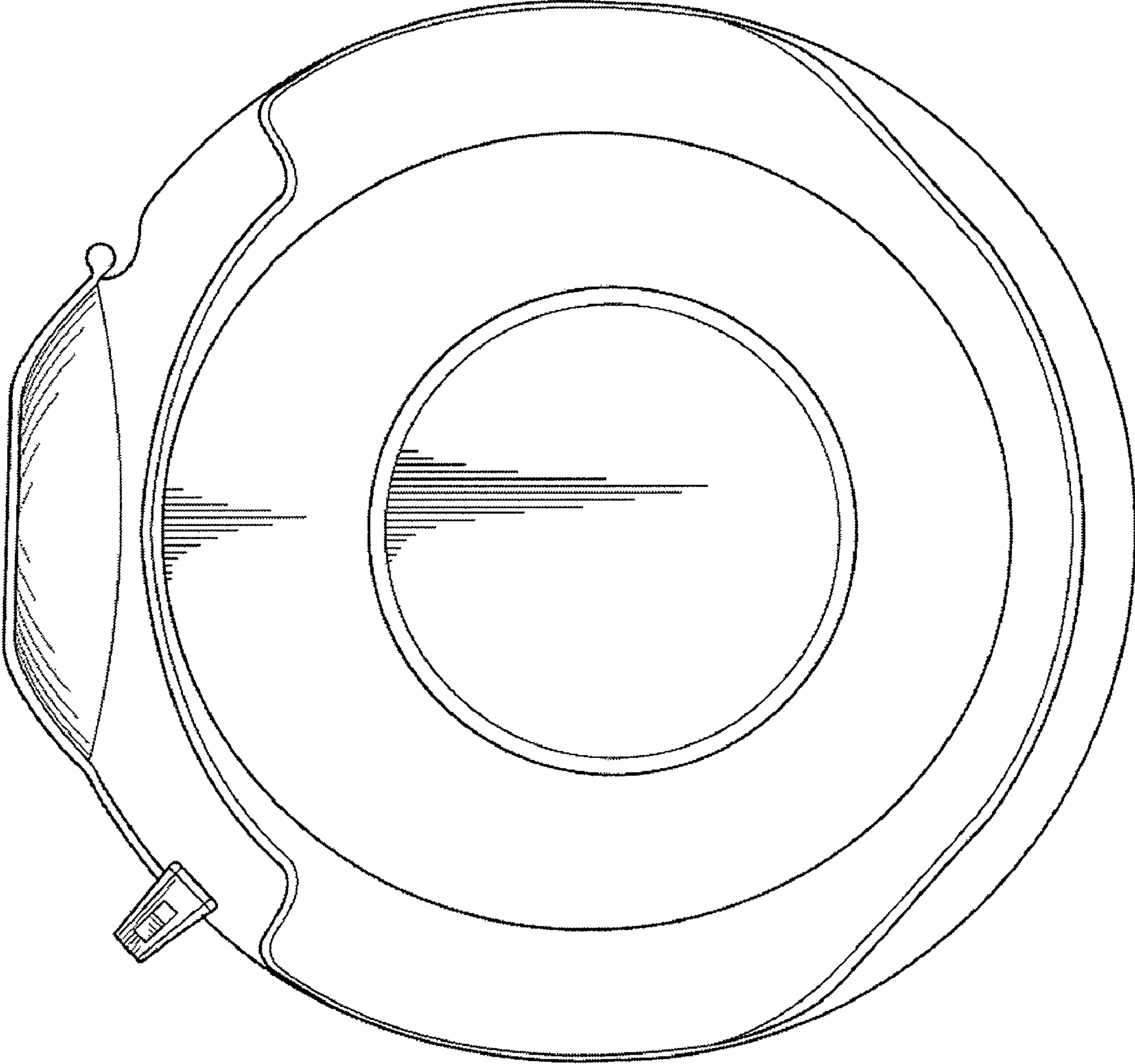


FIG 2

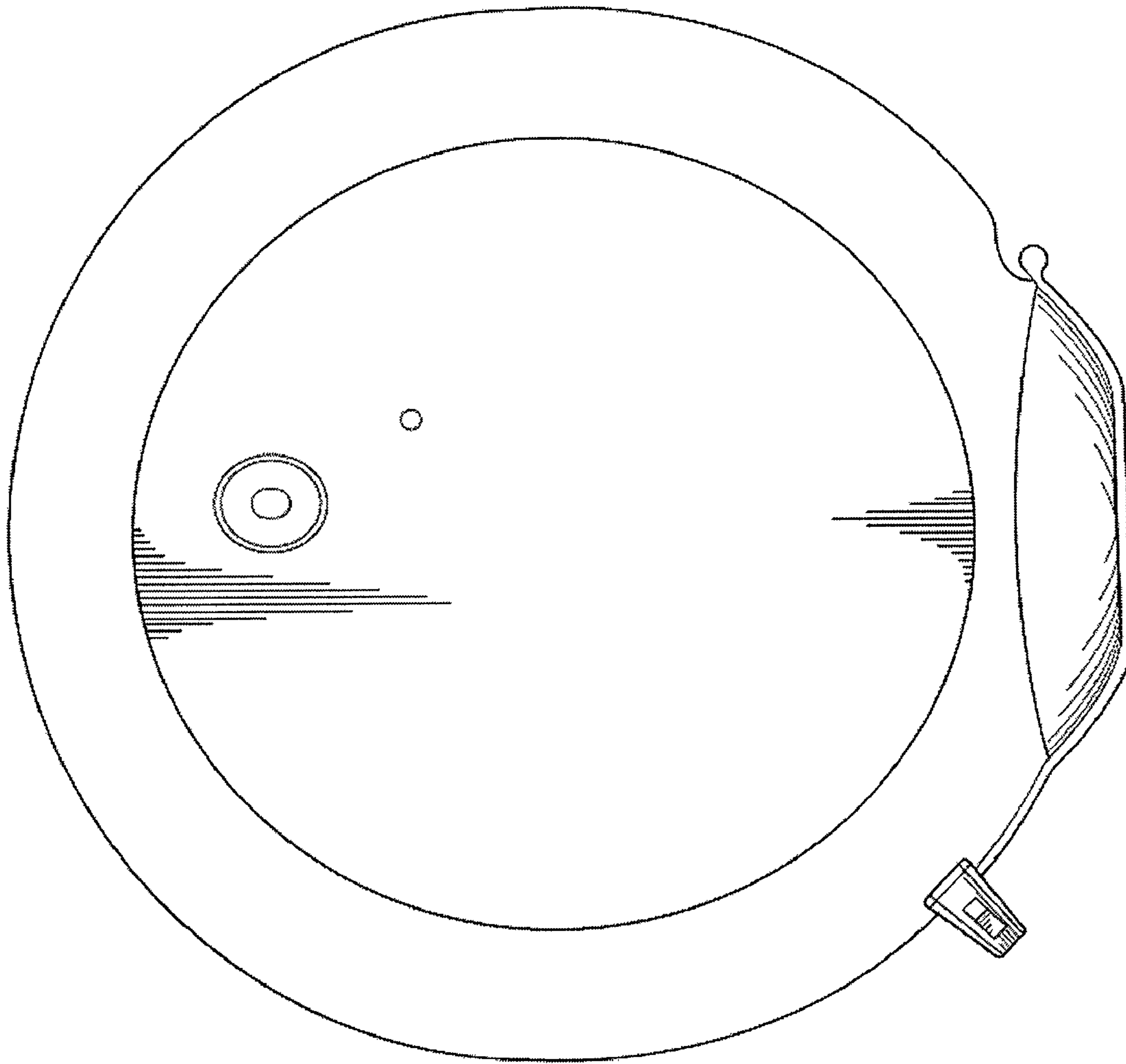


FIG 3

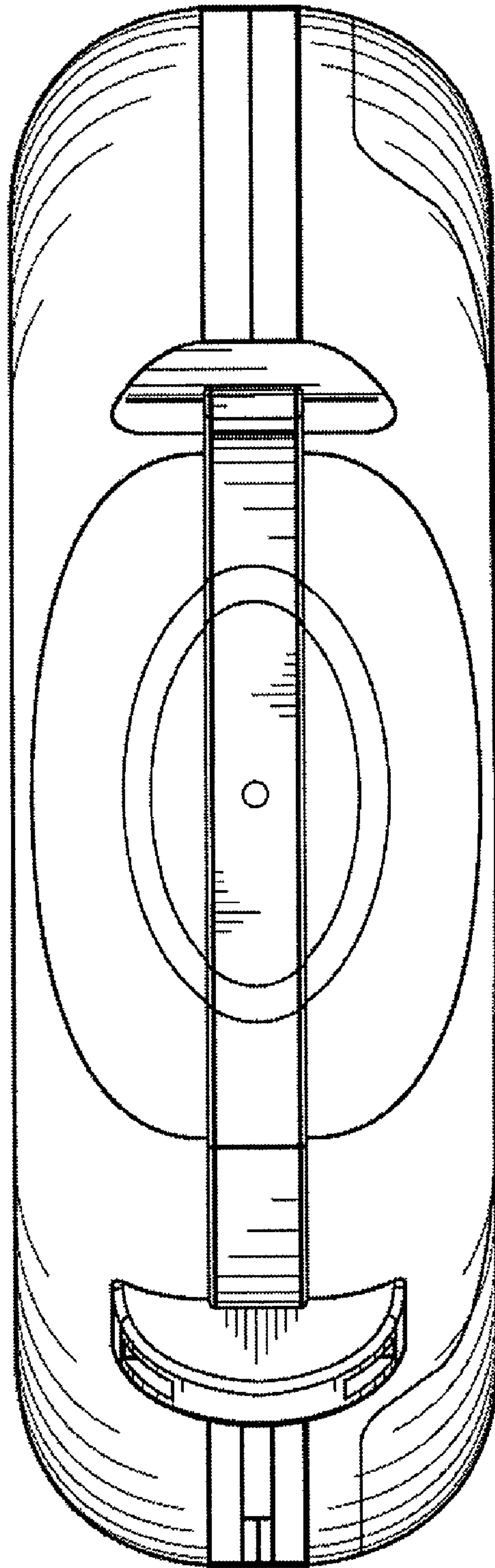


FIG 4

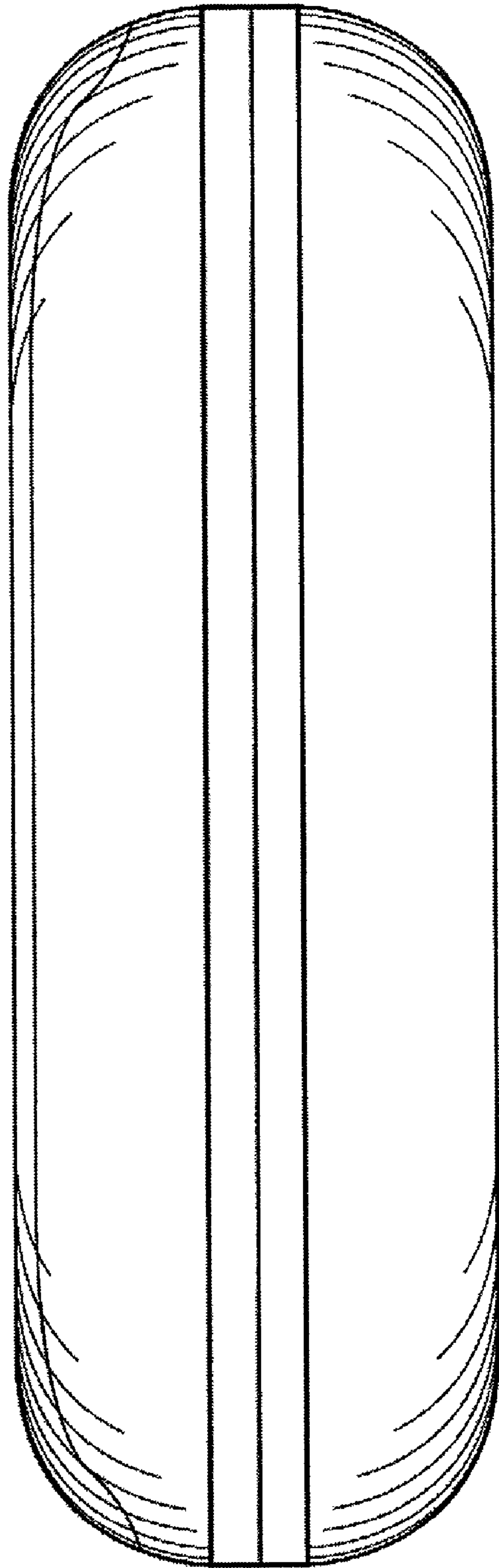


FIG 5

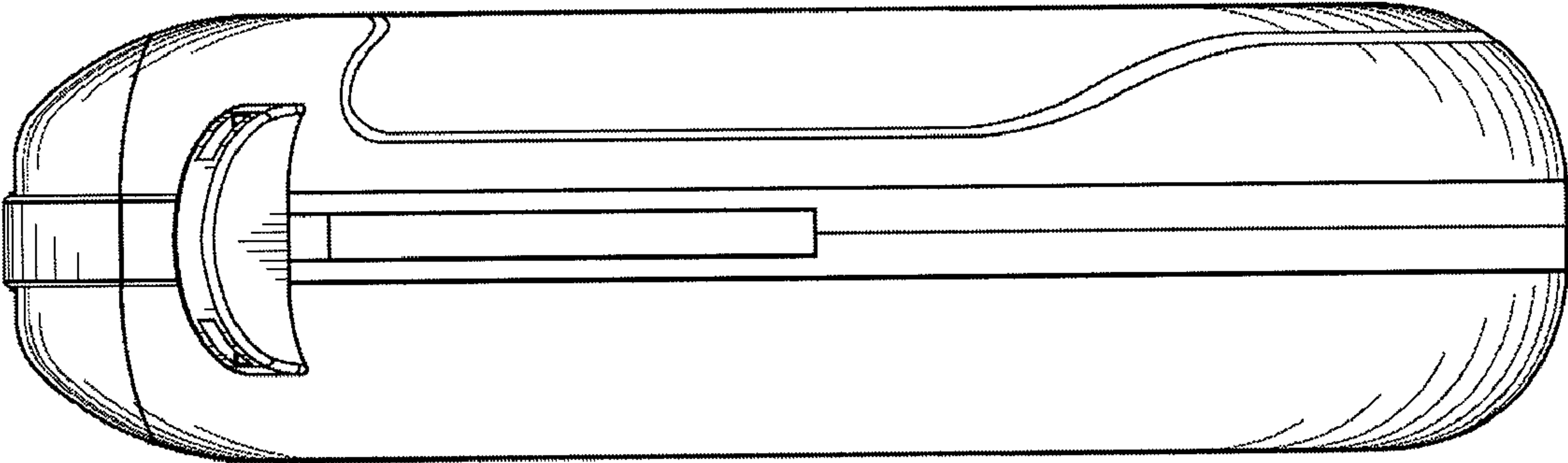


FIG 6

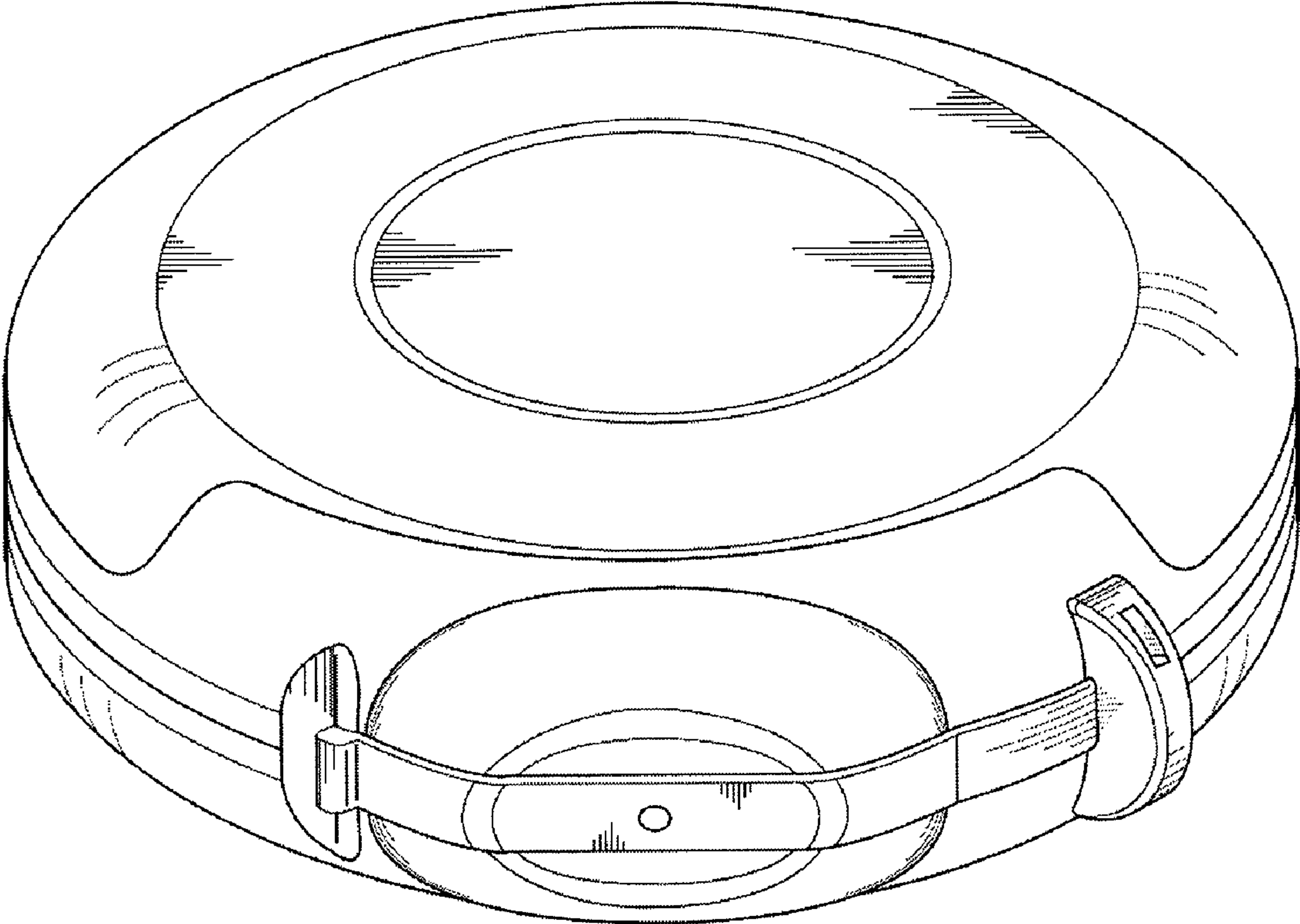


FIG 7