



US00D590937S

(12) **United States Design Patent**
Cabrera

(10) **Patent No.:** **US D590,937 S**

(45) **Date of Patent:** **** *Apr. 21, 2009**

(54) **TRACHEOSTOMY TUBE**

(75) Inventor: **Jerry Edward Cabrera**, Munster, IN
(US)

(73) Assignee: **Smiths Medical ASD, Inc.**, Gary, IN
(US)

(*) Notice: This patent is subject to a terminal disclaimer.

(**) Term: **14 Years**

(21) Appl. No.: **29/287,269**

(22) Filed: **Jul. 18, 2007**

(51) **LOC (9) Cl.** **29-02**

(52) **U.S. Cl.** **D24/110**

(58) **Field of Classification Search** D24/110,
D24/110.1, 110.4, 110.5, 129, 164; 128/207.14,
128/207.15, 205.13, 205.16, 204.18, 205.24,
128/200.26; 417/394, 478

See application file for complete search history.

(56) **References Cited**

U.S. PATENT DOCUMENTS

D232,268 S * 7/1974 Fettel et al. D24/110
4,009,720 A * 3/1977 Crandall 128/207.15

4,315,505 A * 2/1982 Crandall et al. 128/200.26
4,817,598 A * 4/1989 LaBombard 128/207.14
D332,140 S * 12/1992 La Bombard et al. D24/129
5,471,980 A * 12/1995 Varner 128/207.17
6,105,577 A * 8/2000 Varner 128/207.17
6,796,309 B2 * 9/2004 Nash et al. 128/207.14
7,195,016 B2 * 3/2007 Loyd et al. 128/207.14

* cited by examiner

Primary Examiner—Ian Simmons

Assistant Examiner—Christopher Lee

(74) *Attorney, Agent, or Firm*—Louis Woo

(57) **CLAIM**

The ornamental design for a tracheostomy tube, as shown and described.

DESCRIPTION

FIG. 1 is a right side view of the tracheostomy tube according to my design;

FIG. 2 is a top view thereof;

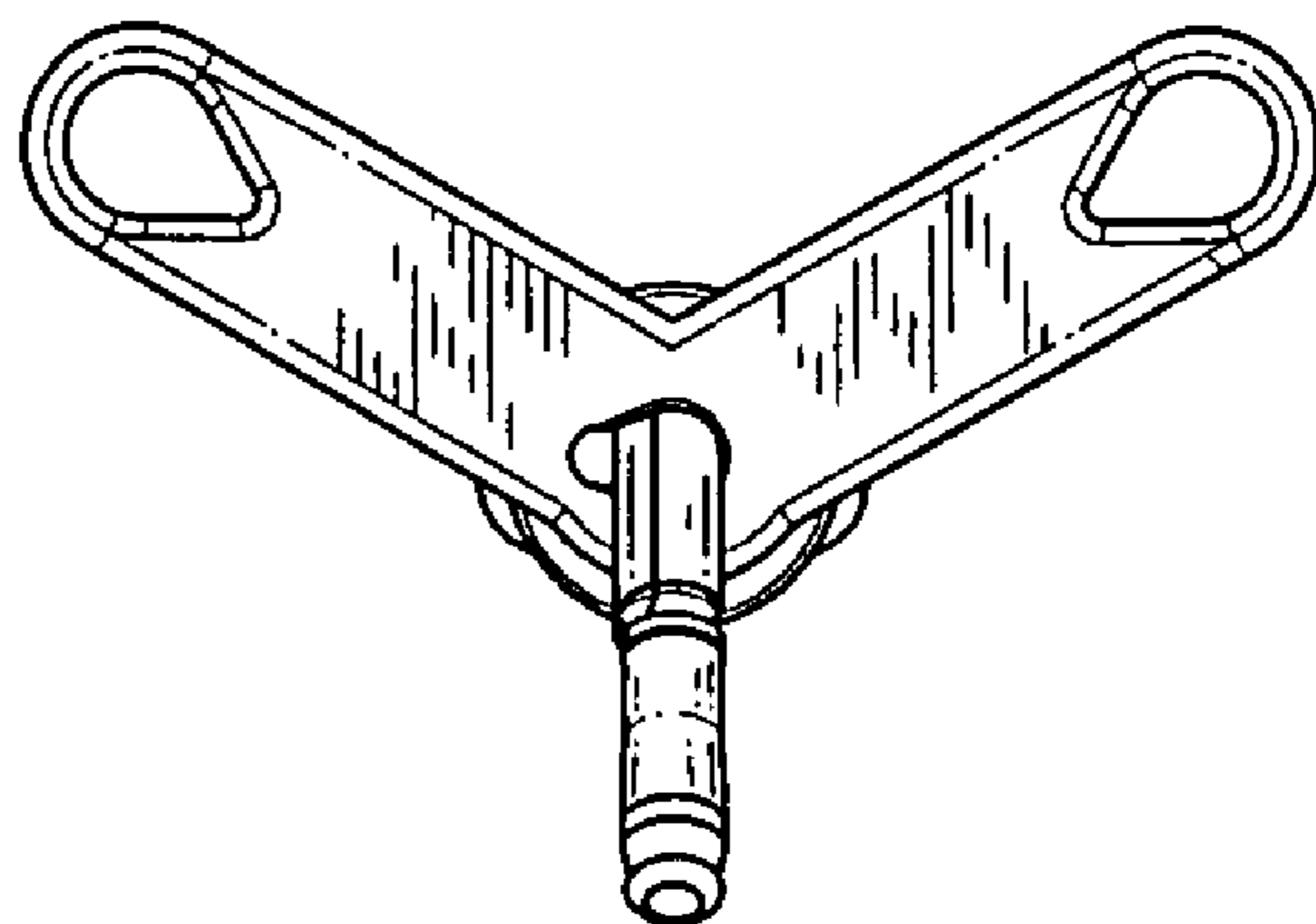
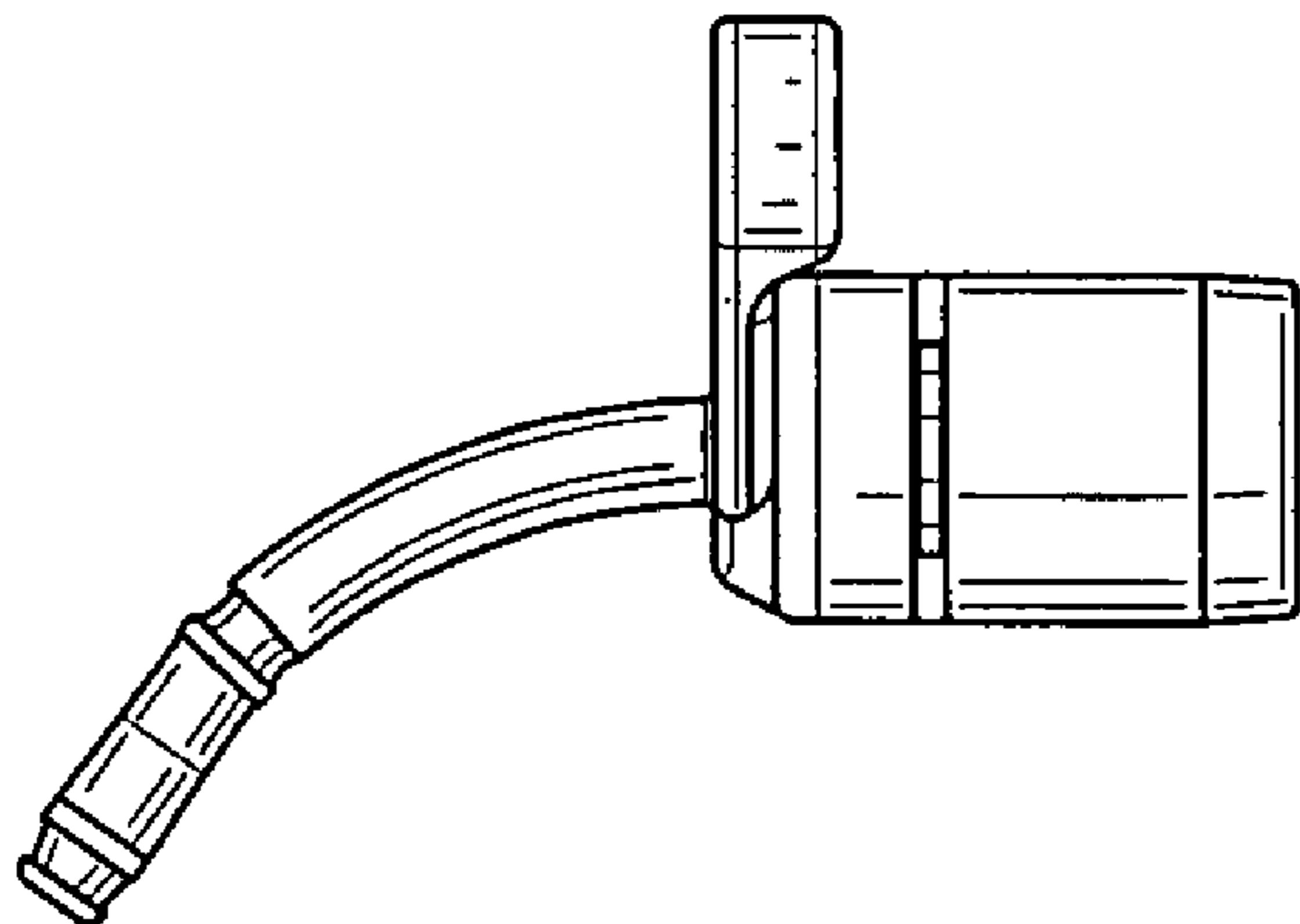
FIG. 3 is a bottom view thereof;

FIG. 4 is a front view thereof;

FIG. 5 is a rear view thereof; and,

FIG. 6 is a left side view thereof.

1 Claim, 1 Drawing Sheet



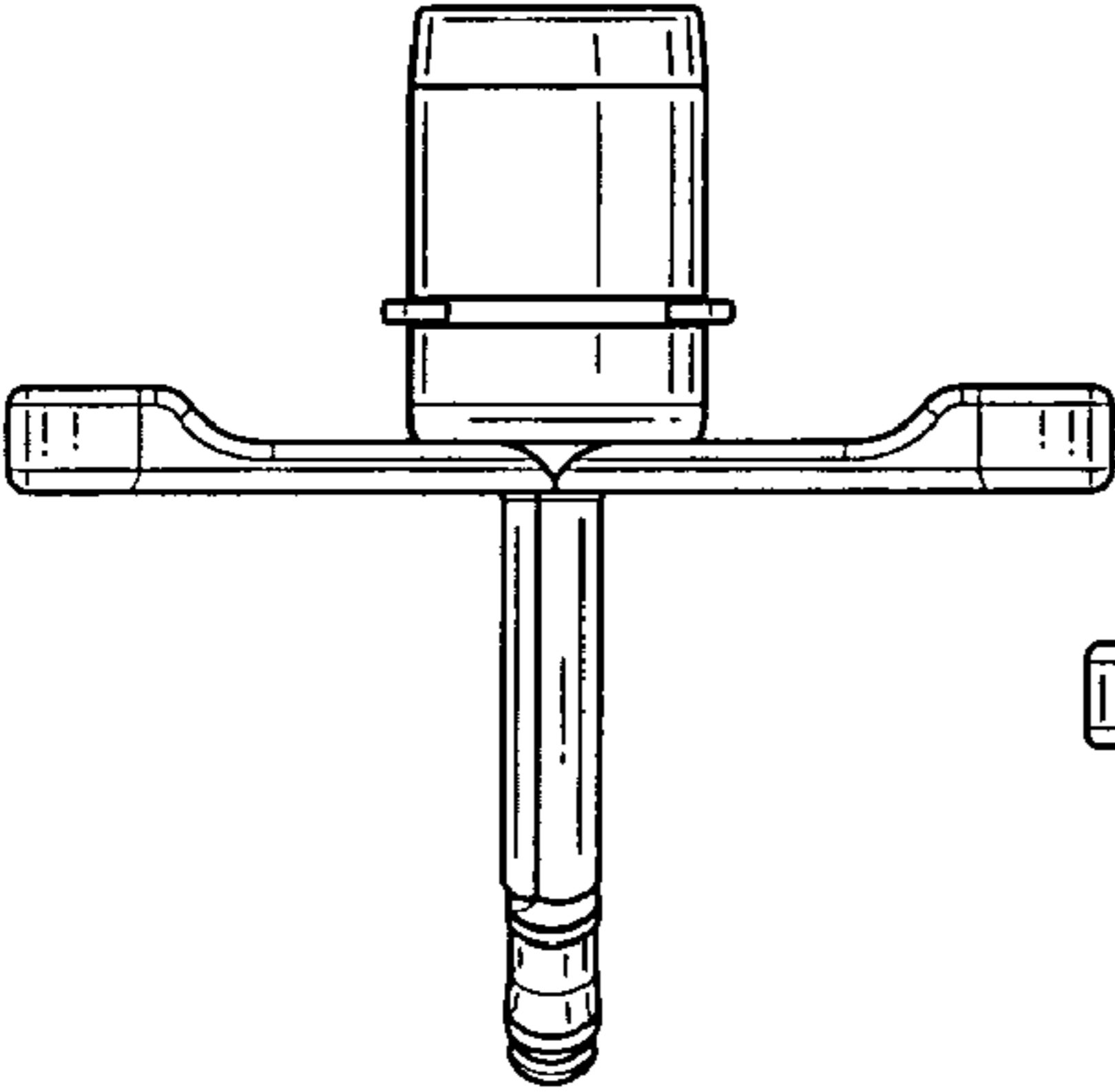


FIG. 2

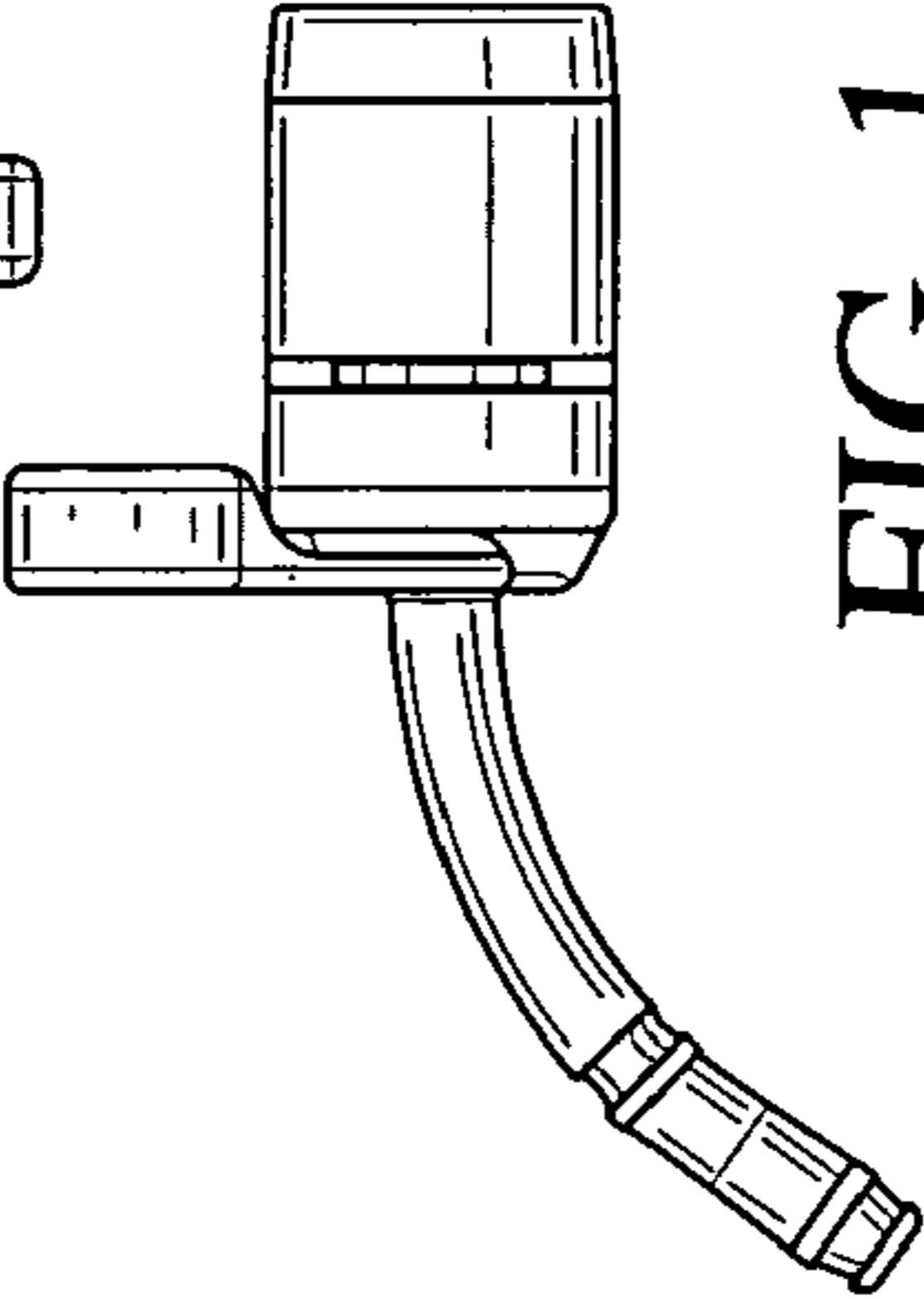


FIG. 4

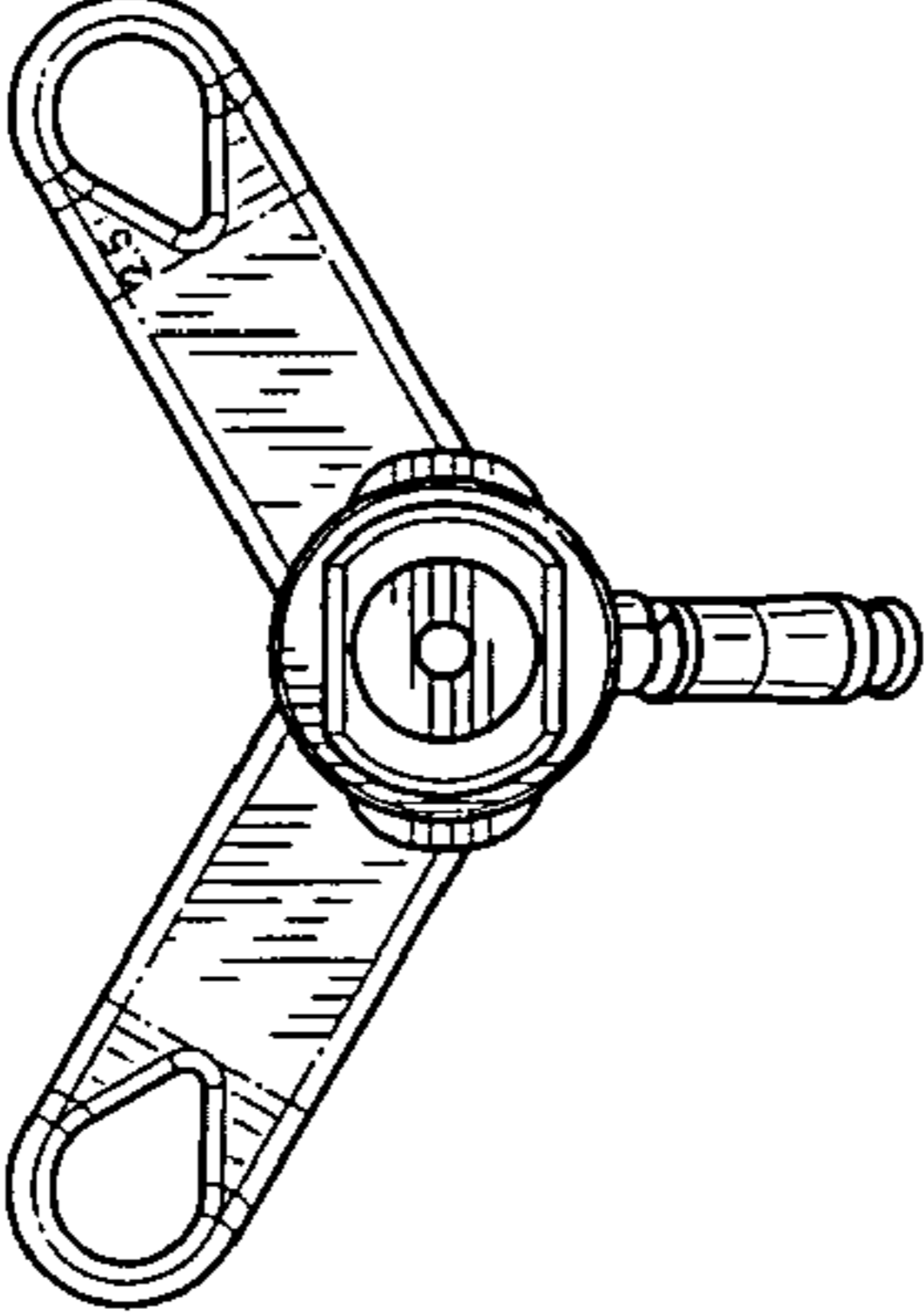


FIG. 6

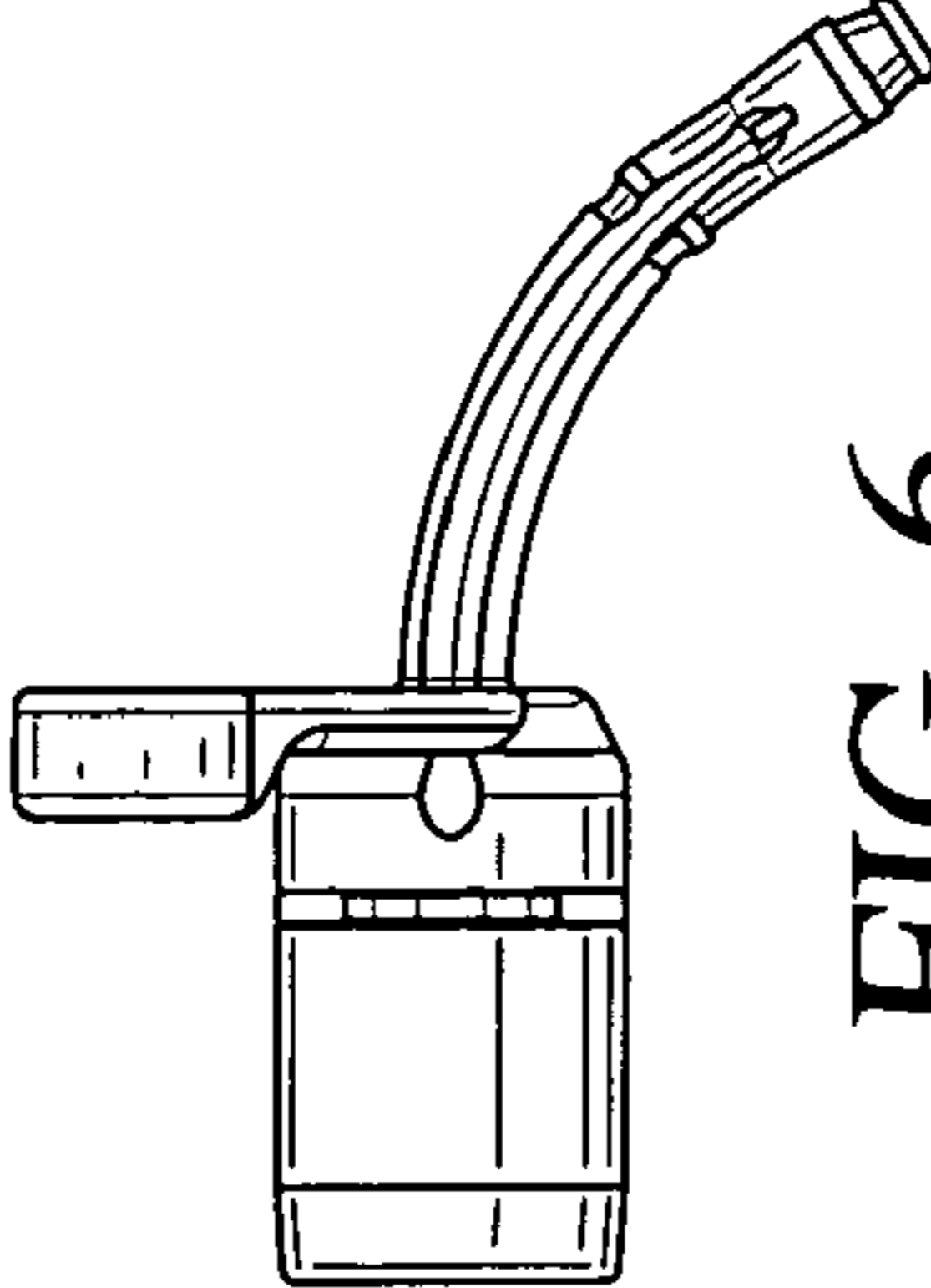


FIG. 7

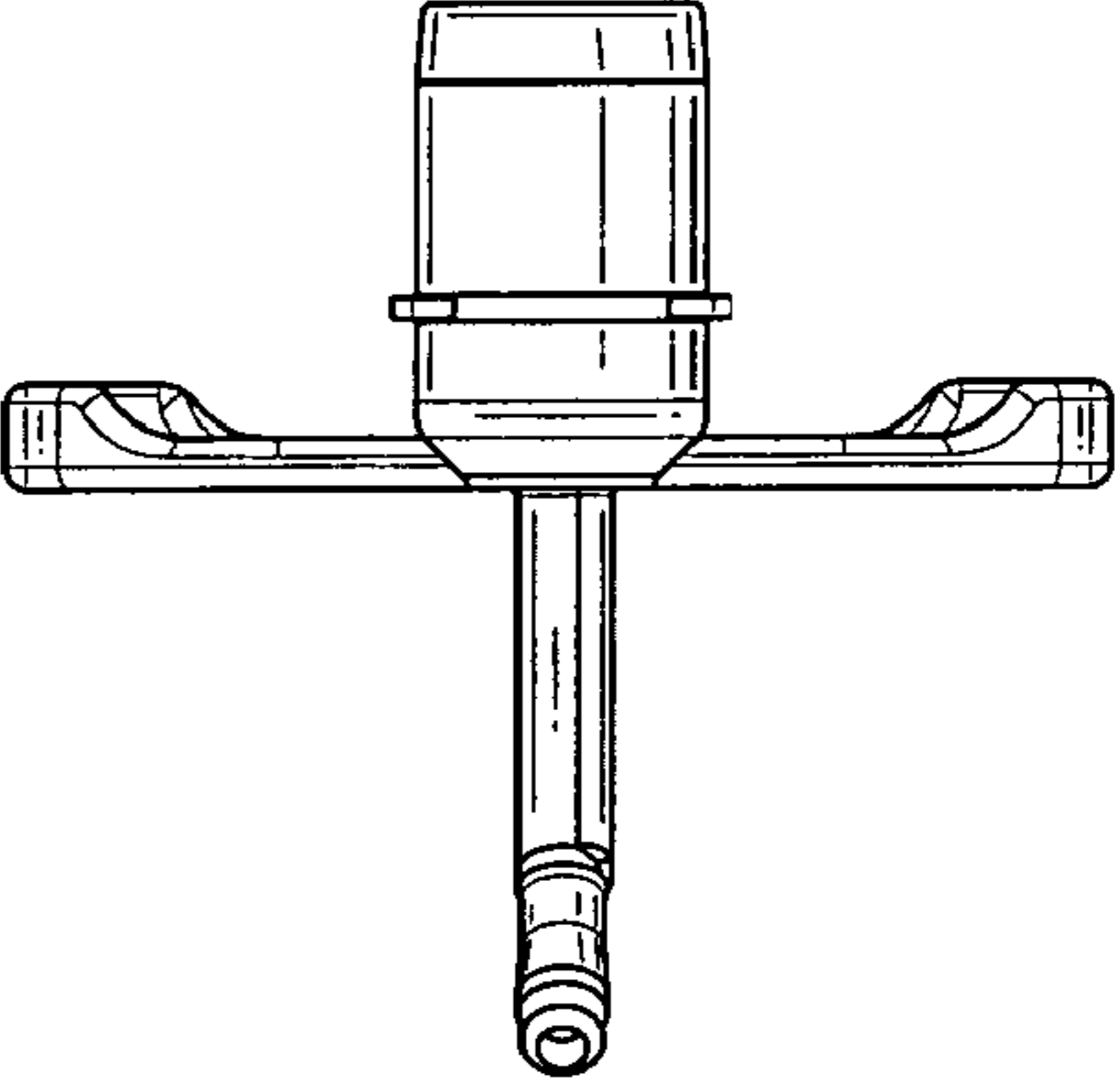


FIG. 9

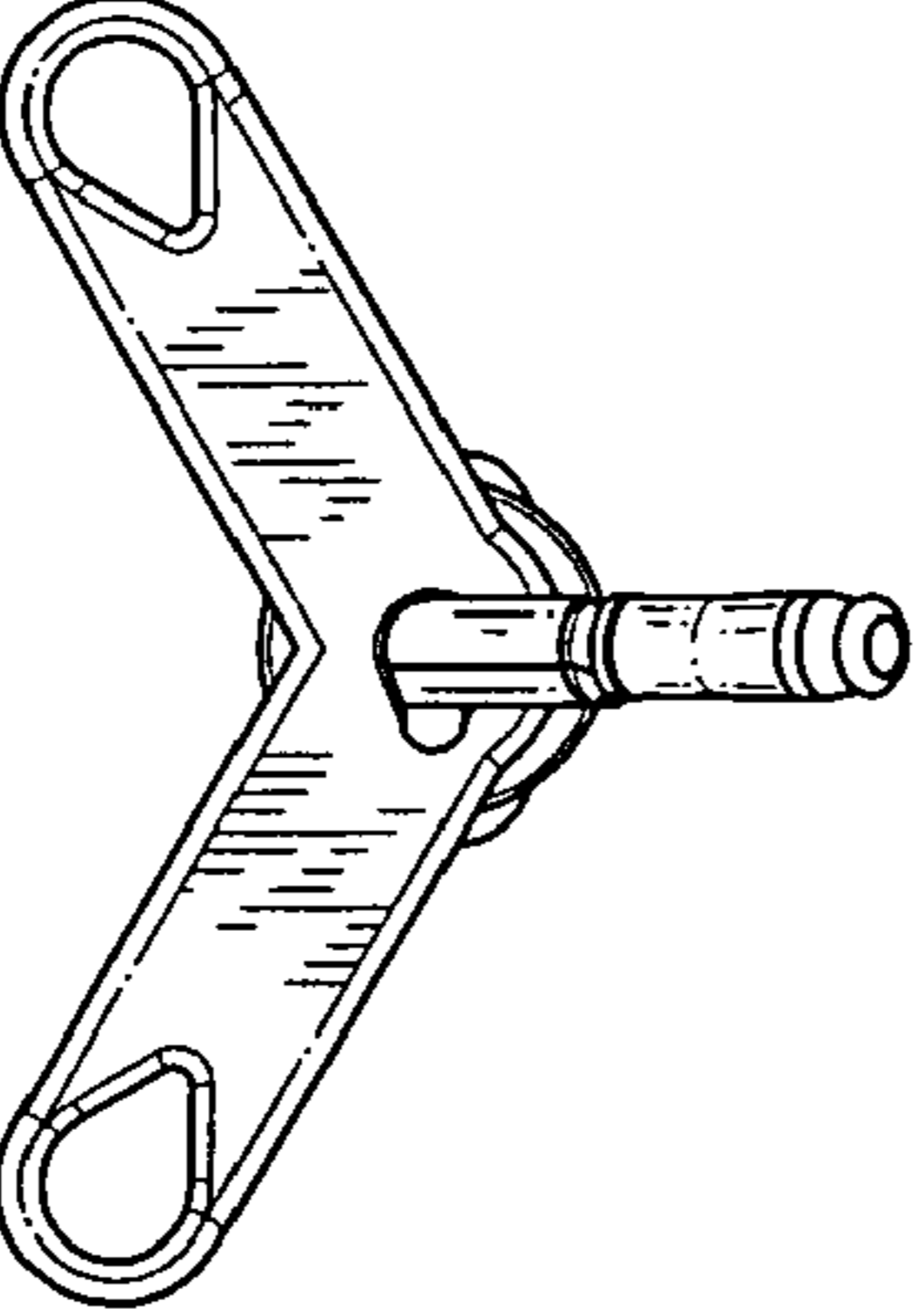


FIG. 10