



US00D590934S

(12) **United States Design Patent**
Randolph et al.

(10) **Patent No.:** **US D590,934 S**
(45) **Date of Patent:** **** Apr. 21, 2009**

(54) **REDUCED PRESSURE TREATMENT SYSTEM**

2006/0129137 A1* 6/2006 Lockwood et al. 604/543
2007/0016152 A1* 1/2007 Karpowicz et al. 604/326
2008/0071216 A1* 3/2008 Locke et al. 604/119

(75) Inventors: **Larry Tab Randolph**, San Antonio, TX (US); **Shannon C. Ingram**, Bulverde, TX (US); **Carl Joseph Santora**, Helotes, TX (US)

* cited by examiner

Primary Examiner—Ian Simmons
Assistant Examiner—Carissa C Fitts

(73) Assignee: **KCI Licensing, Inc.**, San Antonio, TX (US)

(57) **CLAIM**

The ornamental design for a reduced pressure treatment system, as shown and described.

(**) Term: **14 Years**

(21) Appl. No.: **29/286,565**

DESCRIPTION

(22) Filed: **May 11, 2007**

(51) **LOC (9) Cl.** **24-01**

FIG. 1 illustrates a front perspective view of a reduced pressure treatment system having a fluid canister according to one embodiment of the invention;

(52) **U.S. Cl.** **D24/107**

FIG. 2 illustrates a front view of the reduced pressure treatment system;

(58) **Field of Classification Search** D24/107,
D24/108, 111, 186, 169, 121; 604/151–155,
604/131, 304, 289, 290, 73, 543

FIG. 3 illustrates a right side view of the reduced pressure treatment system;

See application file for complete search history.

FIG. 4 illustrates a rear view of the reduced pressure treatment system;

(56) **References Cited**

U.S. PATENT DOCUMENTS

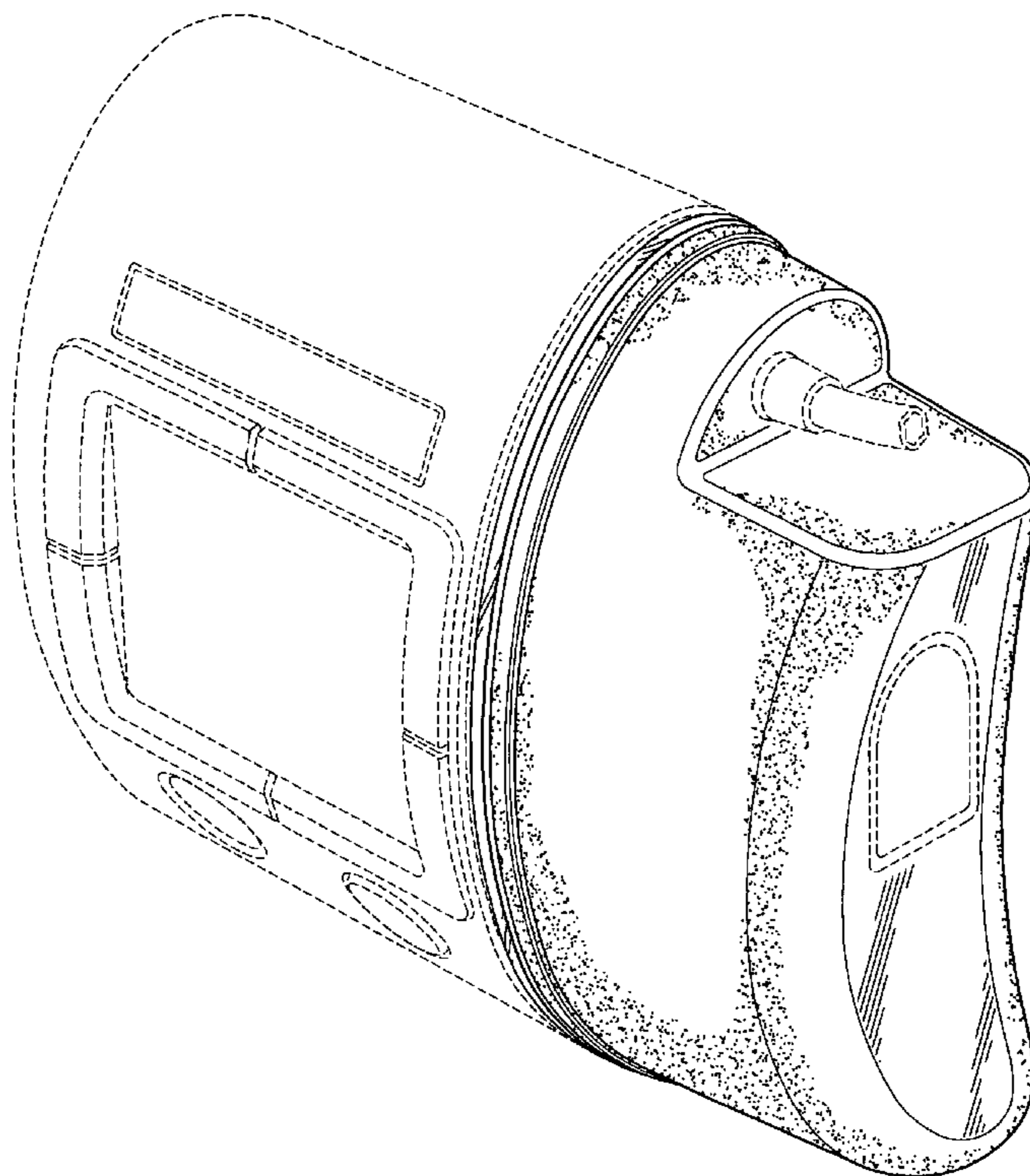
D380,546 S * 7/1997 Clegg et al. D24/111
D420,738 S * 2/2000 Carter et al. D24/111
D469,176 S * 1/2003 Hall et al. D24/111
D547,438 S * 7/2007 Lewis D24/108
D562,975 S * 2/2008 Otto D24/108
D565,177 S * 3/2008 Locke et al. D24/111
2004/0006319 A1* 1/2004 Lina et al. 604/304

FIG. 5 illustrates a top view of the reduced pressure treatment system; and,

FIG. 6 illustrates a bottom view of the reduced pressure treatment system.

The broken lines illustrated in the drawings are for illustrative purposes only and form no part of the claimed design.

1 Claim, 5 Drawing Sheets



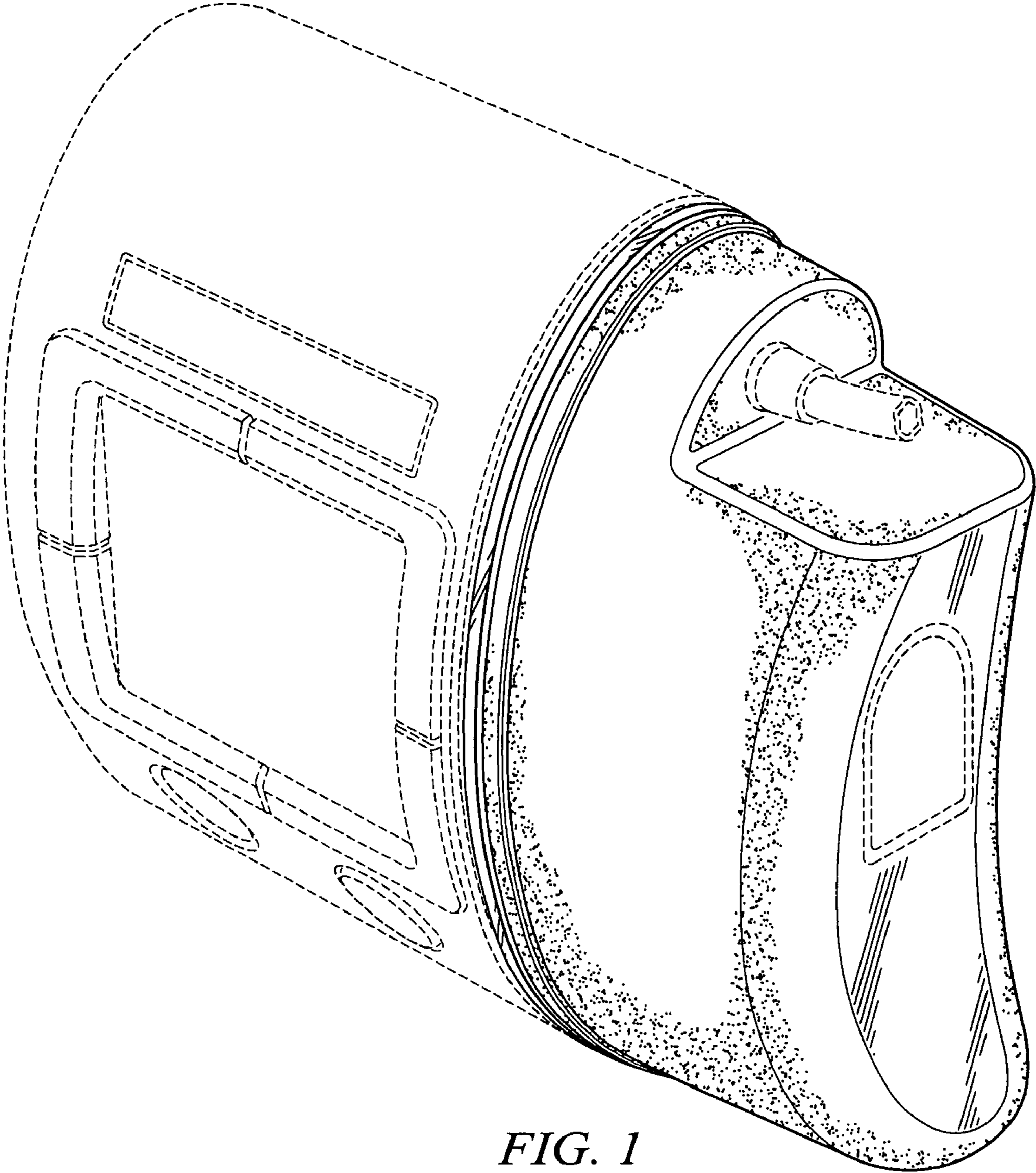


FIG. 1

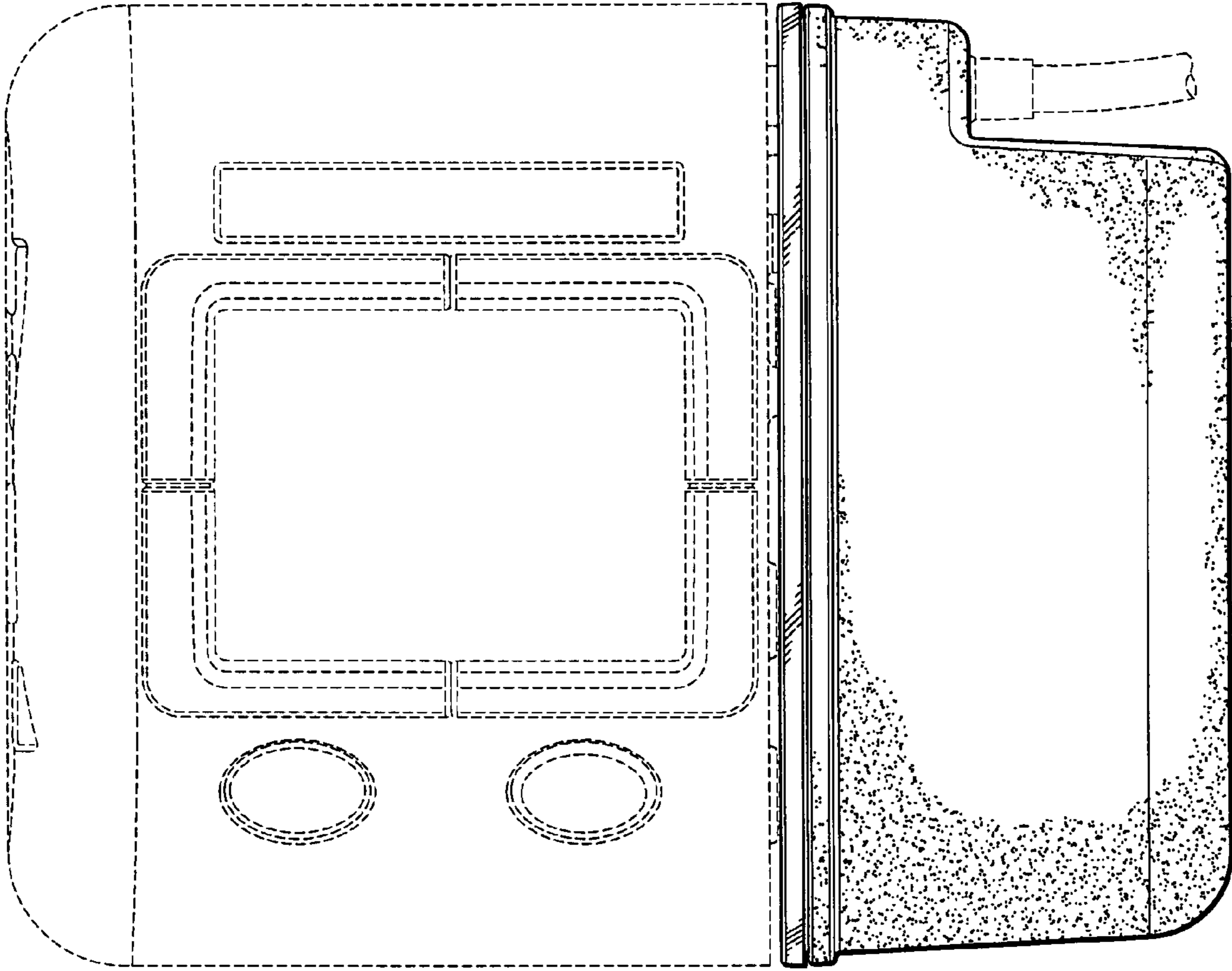


FIG. 2

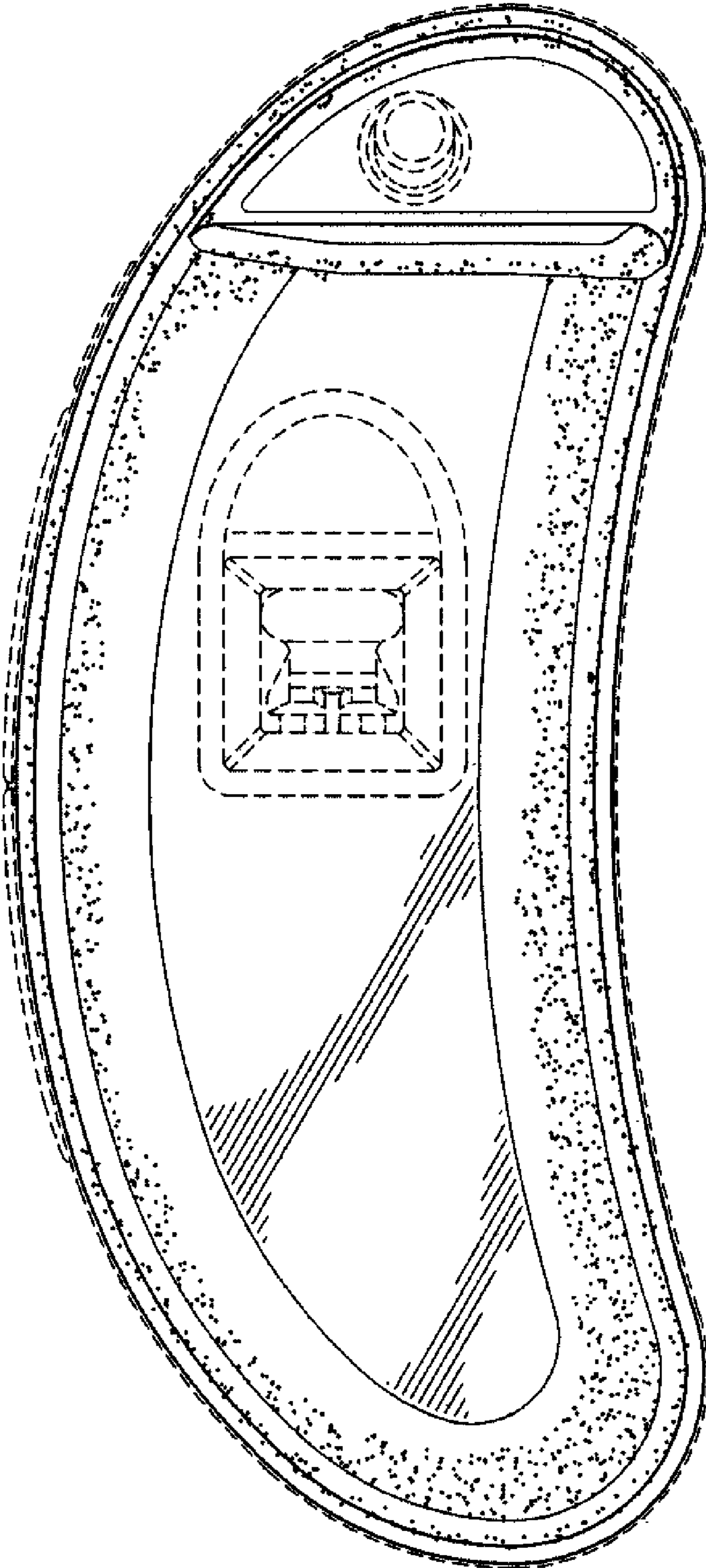


FIG. 3

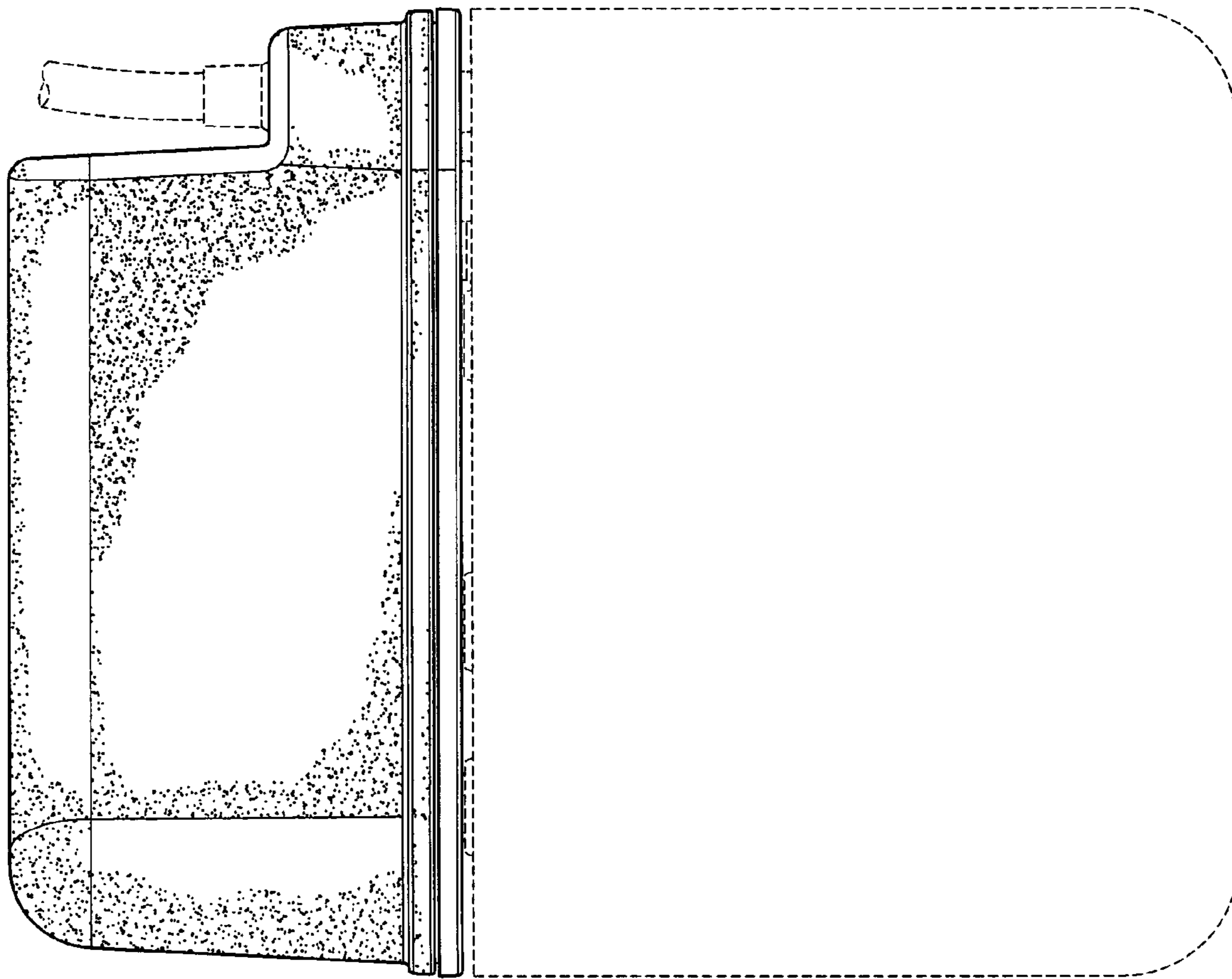


FIG. 4

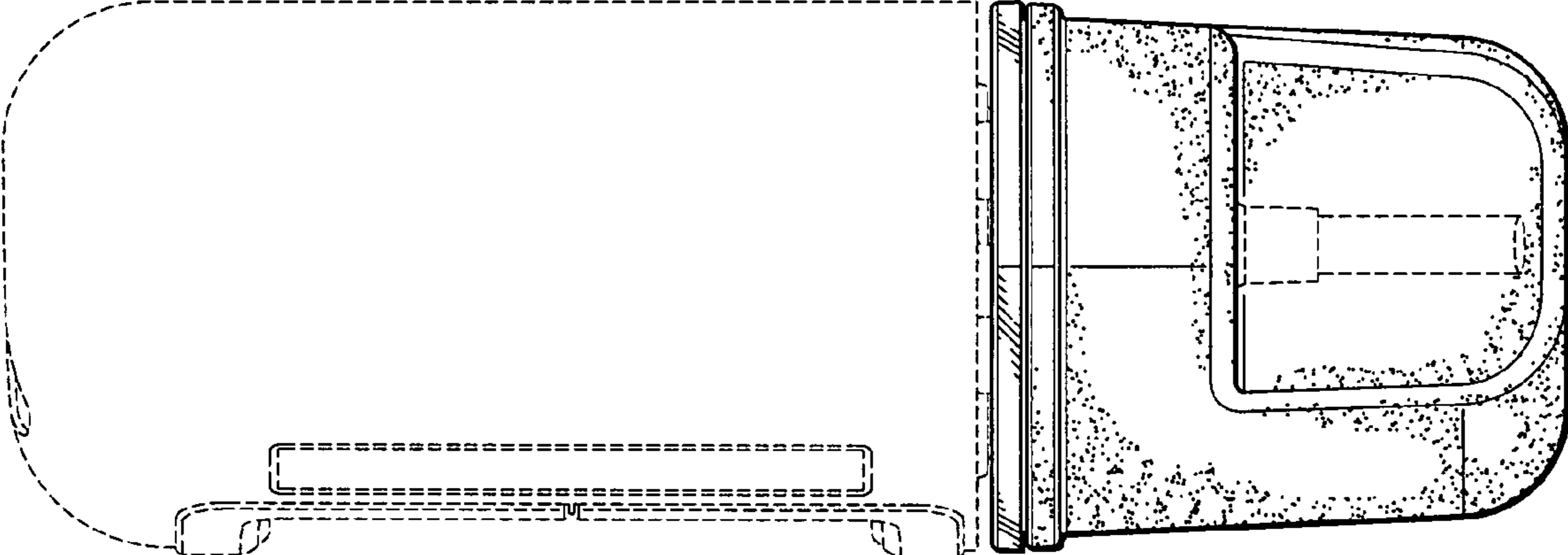


FIG. 5

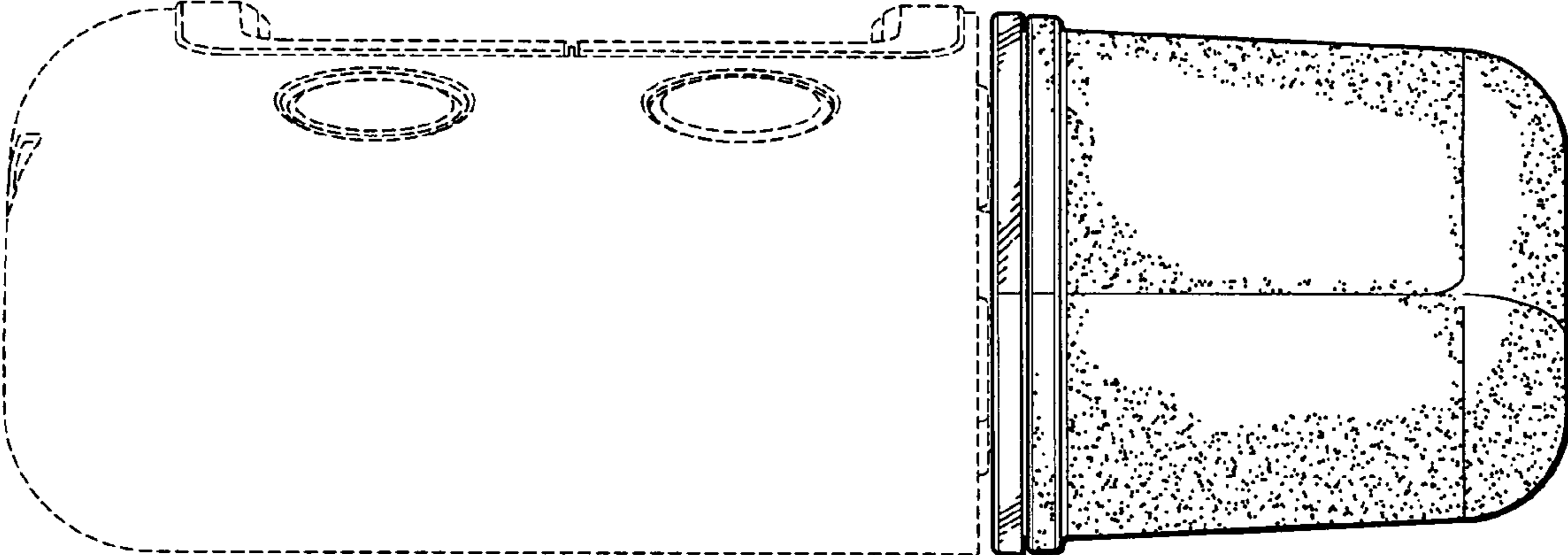


FIG. 6