



US00D590932S

(12) **United States Design Patent**  
**Kennedy et al.**

(10) **Patent No.:** **US D590,932 S**  
(45) **Date of Patent:** **\*\* Apr. 21, 2009**

(54) **AROMA DIFFUSER**

(75) Inventors: **Michael Jonathan Kennedy**, Shoreview, MN (US); **David Martin Rider**, Fairfield, IA (US)

(73) Assignee: **Aveda Corporation**, Blaine, MN (US)

(\*\*) Term: **14 Years**

(21) Appl. No.: **29/324,534**

(22) Filed: **Sep. 15, 2008**

(51) **LOC (9) Cl.** ..... **28-99**

(52) **U.S. Cl.** ..... **D23/366**

(58) **Field of Classification Search** ..... D23/355-369;  
261/DIG. 17, DIG. 42, DIG. 65, DIG. 88,  
261/DIG. 89; 239/34, 35, 37, 44, 53, 56,  
239/57, 60, 136, 326; 392/386, 390, 394,  
392/395; D28/5, 6

See application file for complete search history.

(56) **References Cited**

**U.S. PATENT DOCUMENTS**

D46,402	S	*	9/1914	Kiefer	.....	D24/232
5,038,394	A	*	8/1991	Hasegawa et al.	.....	392/395
5,095,647	A	*	3/1992	Zobeles et al.	.....	43/125
D335,530	S	*	5/1993	Schimanski	.....	D23/366
5,222,186	A	*	6/1993	Schimanski et al.	.....	392/395
5,647,053	A	*	7/1997	Schroeder et al.	.....	392/390
D393,063	S	*	3/1998	Wefler	.....	D23/366
6,104,867	A	*	8/2000	Stathakis et al.	.....	392/403

D433,744	S	*	11/2000	Basaganas	.....	D23/366
D437,636	S	*	2/2001	Basaganas	.....	D23/366
6,236,807	B1	*	5/2001	Ruffolo et al.	.....	392/390
6,278,840	B1	*	8/2001	Basaganas Millan	.....	392/390
6,285,830	B1	*	9/2001	Basaganas Millan	.....	392/395
6,466,739	B2	*	10/2002	Ambrosi et al.	.....	392/395
D582,531	S	*	12/2008	Israel et al.	.....	D23/356

\* cited by examiner

*Primary Examiner*—Sandra Snapp

(74) *Attorney, Agent, or Firm*—Martin W. Haerter

(57) **CLAIM**

The ornamental design for an aroma diffuser, substantially as shown and described.

**DESCRIPTION**

FIG. 1 is a top, front and left side perspective view of our new design for an aroma diffuser;

FIG. 2 is a left side elevation view of the aroma diffuser shown in FIG. 1;

FIG. 3 is a right side elevation view thereof;

FIG. 4 is a front elevation view of the aroma diffuser shown in FIG. 1;

FIG. 5 is a rear elevation view thereof;

FIG. 6 is a top plan view of the aroma diffuser shown in FIG. 1; and,

FIG. 7 is a bottom plan view thereof.

**1 Claim, 4 Drawing Sheets**

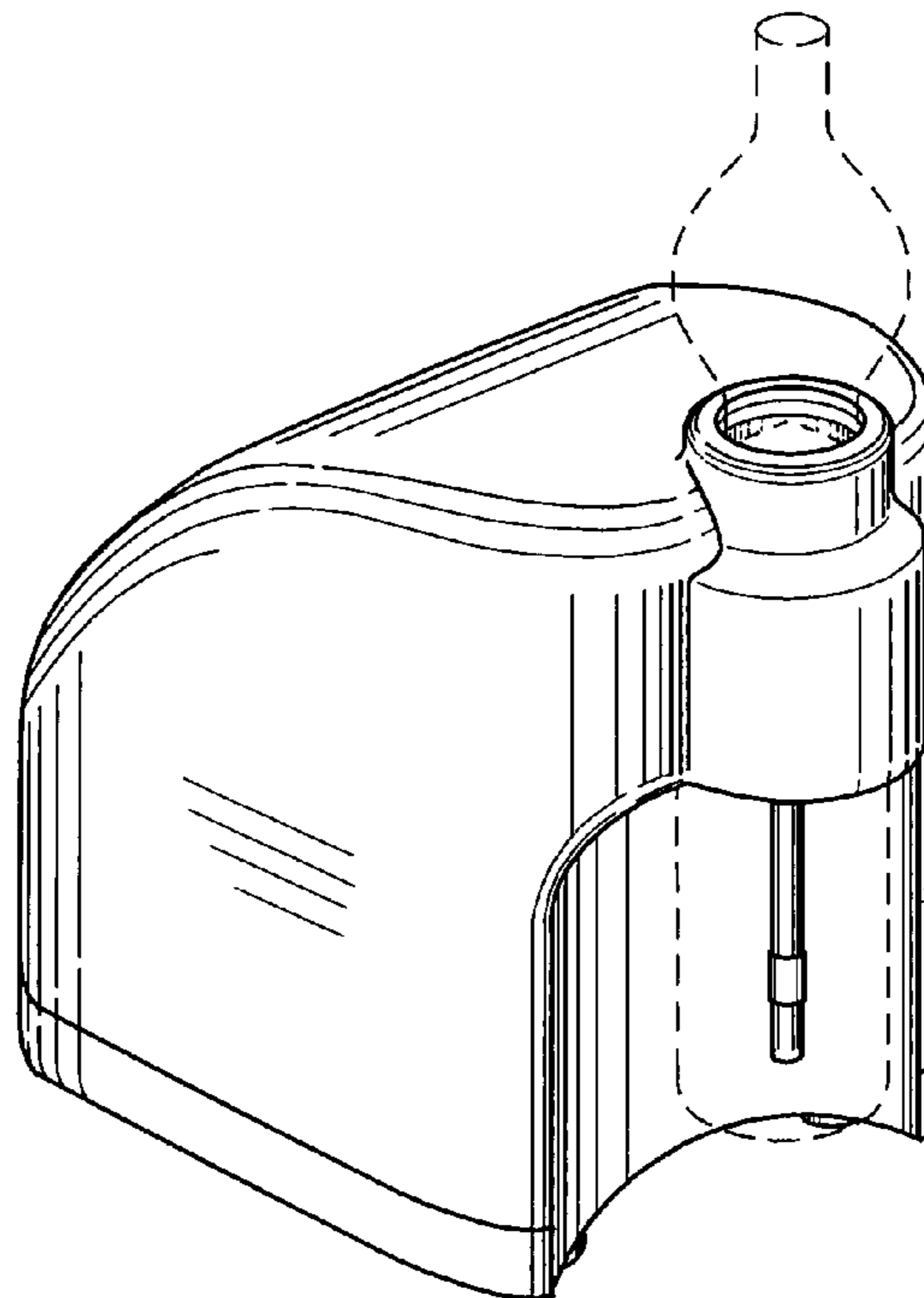


FIG. 1

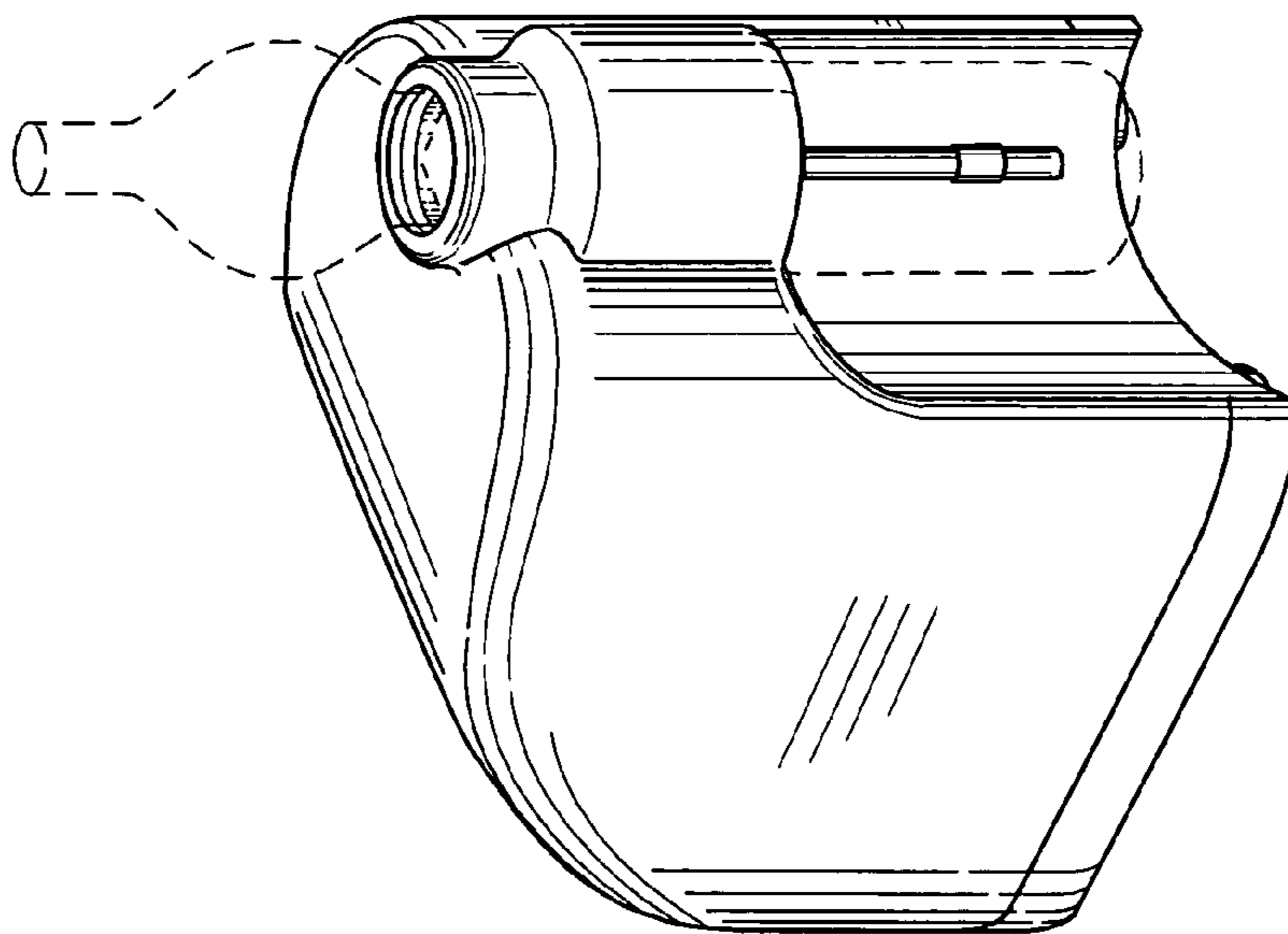


FIG. 3

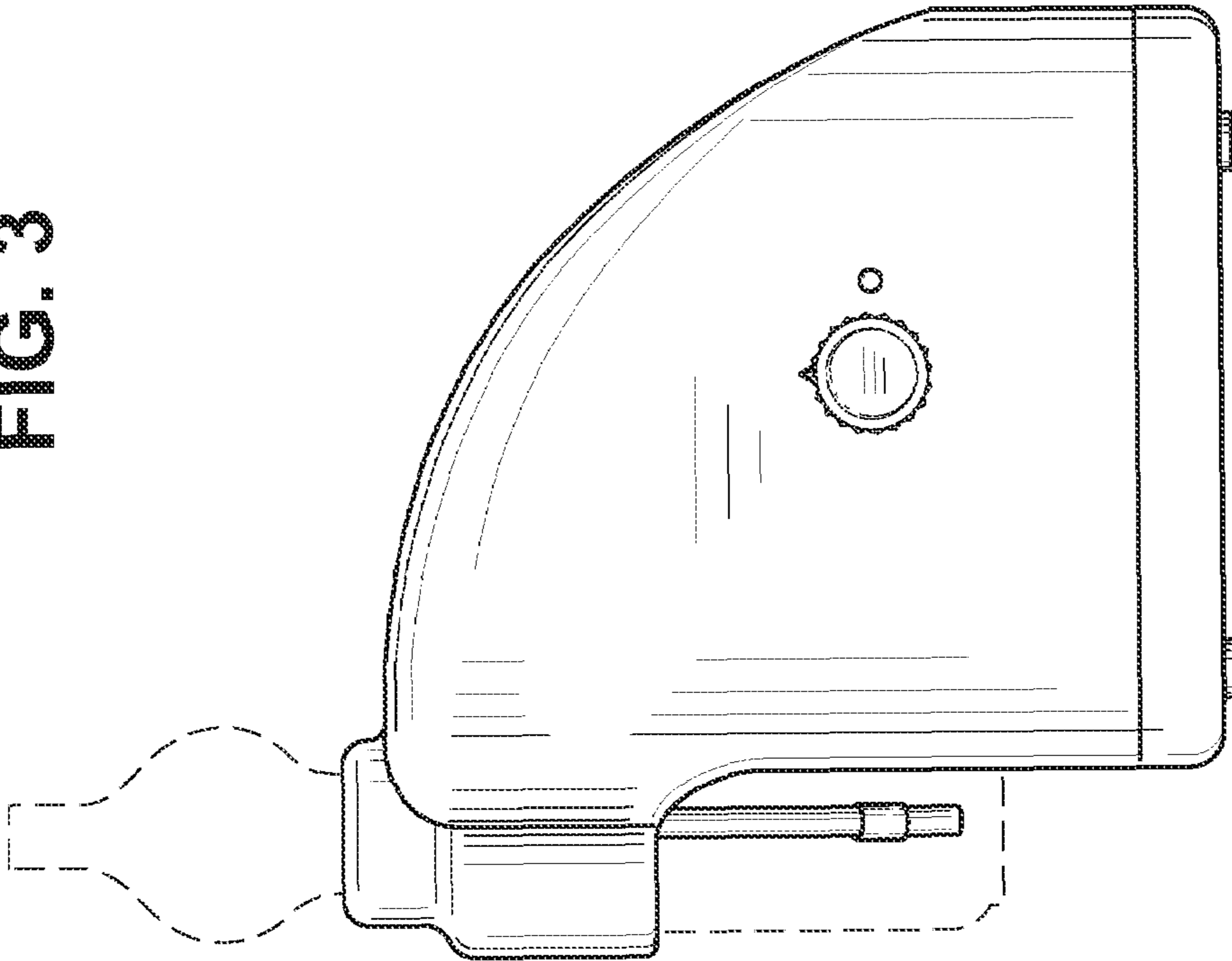
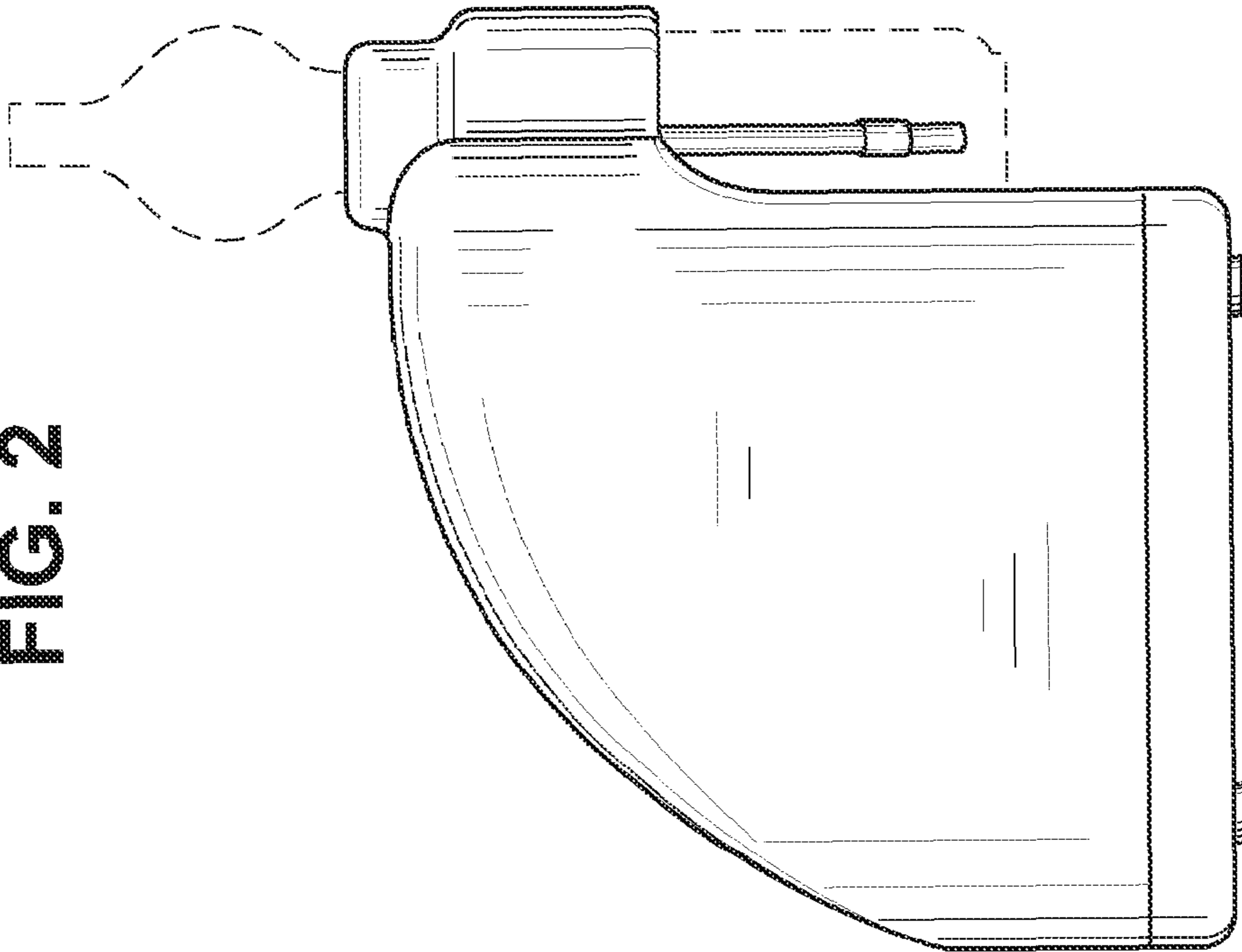


FIG. 2



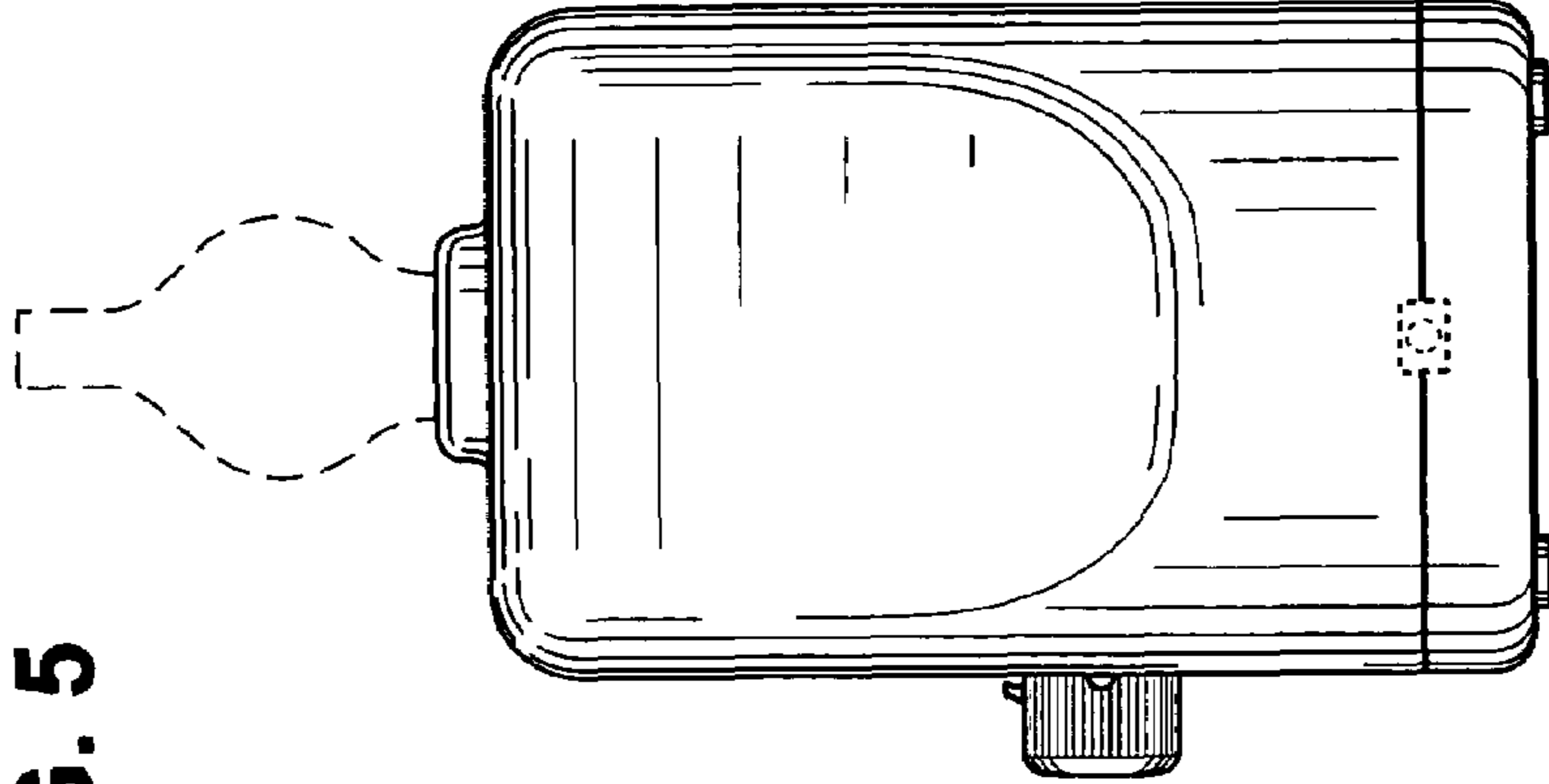


FIG. 5

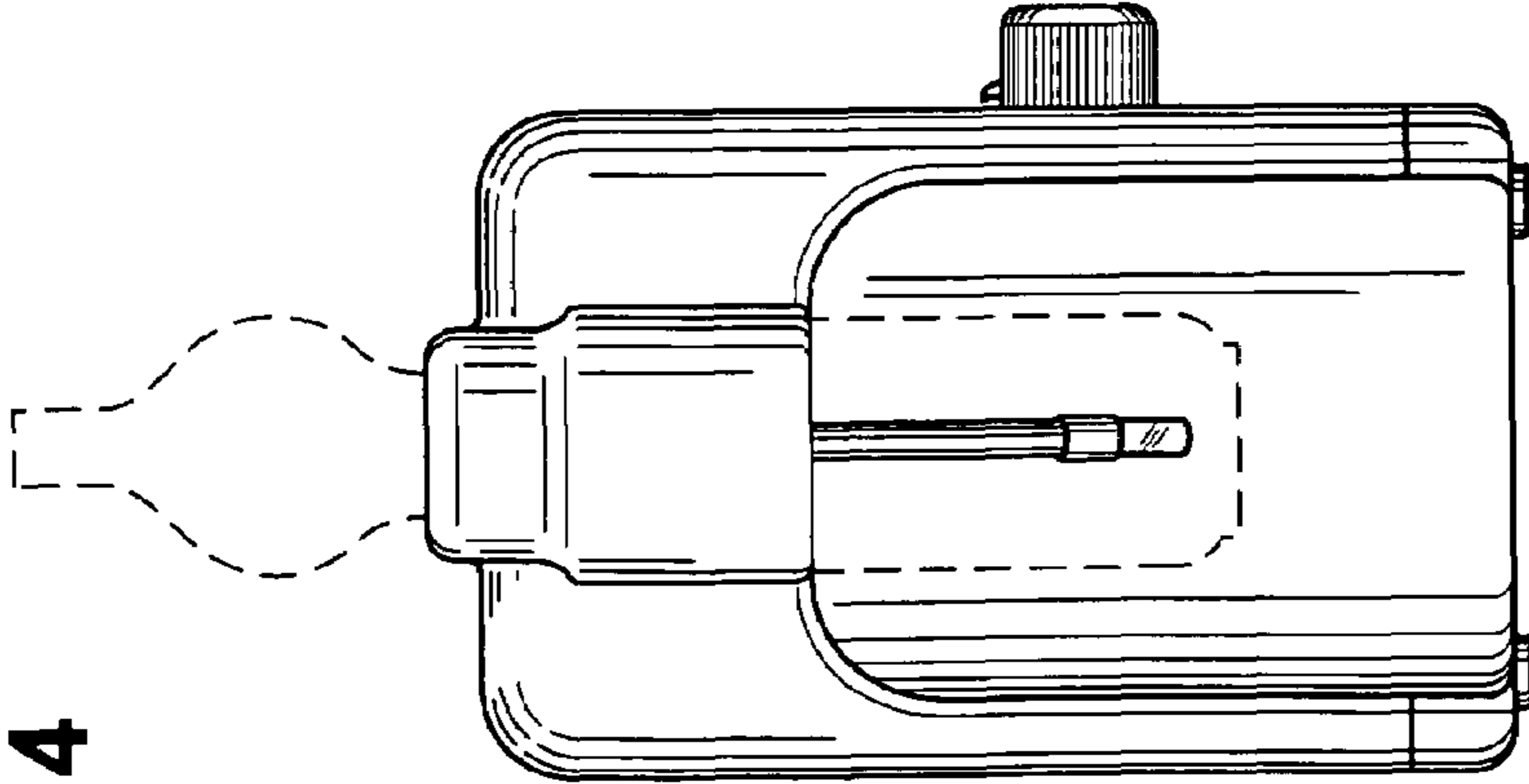


FIG. 4

FIG. 7

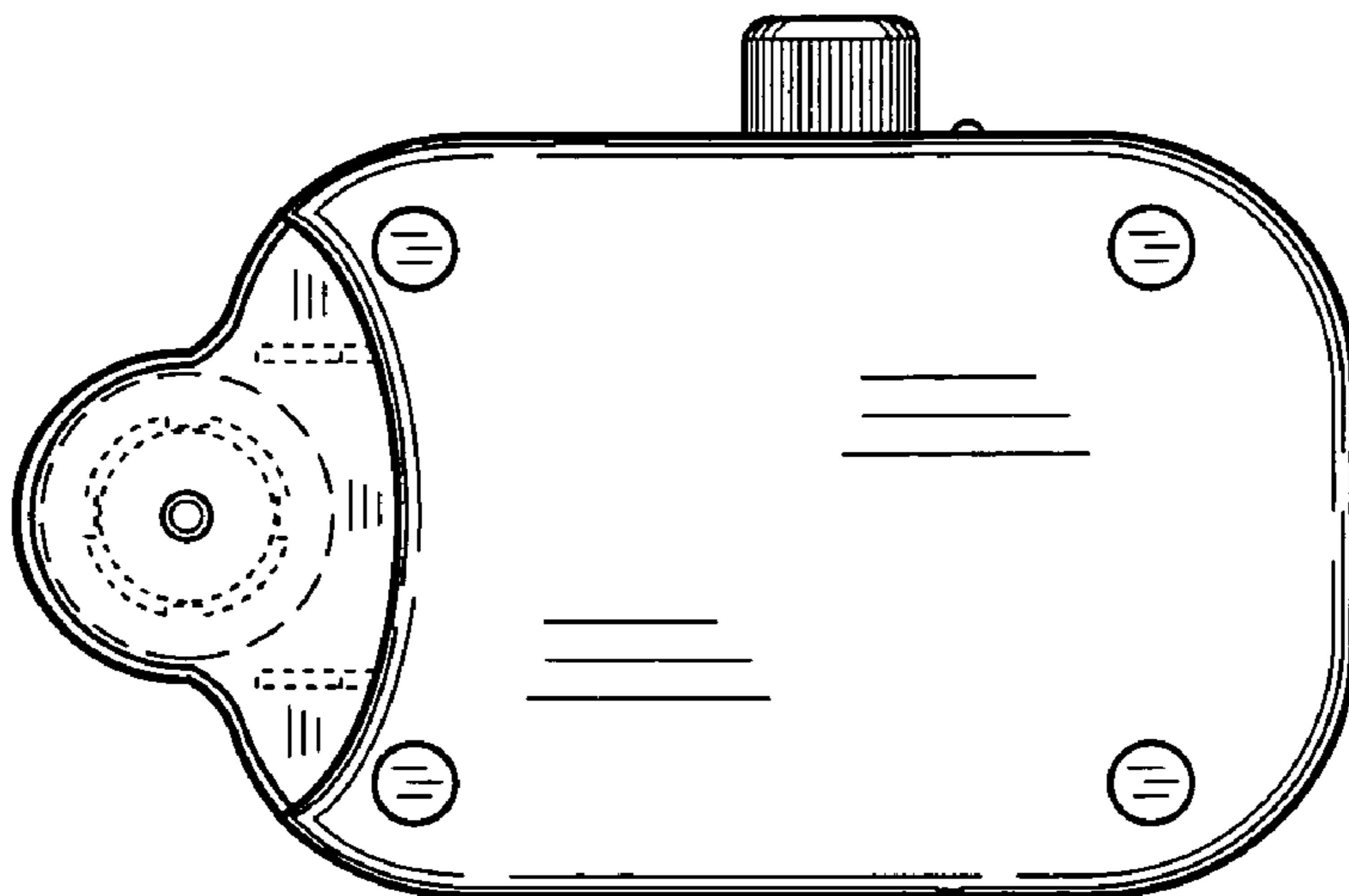


FIG. 6

