



US00D590927S

(12) **United States Design Patent**
Park

(10) **Patent No.:** **US D590,927 S**

(45) **Date of Patent:** **** Apr. 21, 2009**

(54) **HOT AIR BLOWER**

(76) Inventor: **Woo Young Park**, 72-12 Ogumdong,
Songpagu, Seoul (KR) 138-130

(**) Term: **14 Years**

(21) Appl. No.: **29/280,368**

(22) Filed: **May 24, 2007**

(51) **LOC (9) Cl.** **23-03**

(52) **U.S. Cl.** **D23/314**

(58) **Field of Classification Search** D23/314,
D23/315, 317, 318, 322, 332, 333, 335, 336,
D23/337, 338, 339, 342, 343, 344, 351, 353,
D23/354, 365, 367, 347, 350, 373, 374, 398,
D23/401, 402; D7/323, 359, 362, 365, 367,
D7/402, 403, 407; 237/49, 50, 52; 392/350,
392/373, 407, 433

See application file for complete search history.

(56) **References Cited**

U.S. PATENT DOCUMENTS

D307,177 S *	4/1990	Yamazaki et al.	D23/353
D309,180 S *	7/1990	Moritani	D23/353
D415,830 S *	10/1999	Kawata	D23/353
D433,492 S *	11/2000	Oya et al.	D23/351
D446,576 S *	8/2001	Bushnell et al.	D23/353
D464,719 S *	10/2002	Choi	D23/353
D465,017 S *	10/2002	Choi	D23/353
D465,273 S *	11/2002	Yoo	D23/353
D465,563 S *	11/2002	Lee	D23/353
D465,564 S *	11/2002	Yamagami	D23/353
D474,533 S *	5/2003	Zhu et al.	D23/353

D490,509 S *	5/2004	Negrao et al.	D23/354
D495,408 S *	8/2004	Song	D23/353
D523,942 S *	6/2006	Yamagami	D23/353
D523,944 S *	6/2006	Oh et al.	D23/353
D524,431 S *	7/2006	Oh et al.	D23/353
D534,261 S *	12/2006	Oh et al.	D23/353
D534,638 S *	1/2007	Ryu et al.	D23/353
D537,510 S *	2/2007	Yeargin et al.	D23/344
D539,890 S *	4/2007	Jeong et al.	D23/353
D558,868 S *	1/2008	Choi	D23/353
D568,976 S *	5/2008	Choi et al.	D23/353

* cited by examiner

Primary Examiner—T. Chase Nelson

Assistant Examiner—Michael A Pratt

(74) *Attorney, Agent, or Firm*—Cantor Colburn LLP

(57) **CLAIM**

I claim, the ornamental design for a hot air blower, as shown and described.

DESCRIPTION

FIG. 1 is a perspective view of a hot air blower, showing my new design;

FIG. 2 is a front elevational view thereof;

FIG. 3 is a rear elevational view thereof;

FIG. 4 is an enlarged left side elevational view thereof;

FIG. 5 is an enlarged right side elevational view thereof;

FIG. 6 is a top plan view thereof; and,

FIG. 7 is a bottom plan view thereof.

1 Claim, 7 Drawing Sheets

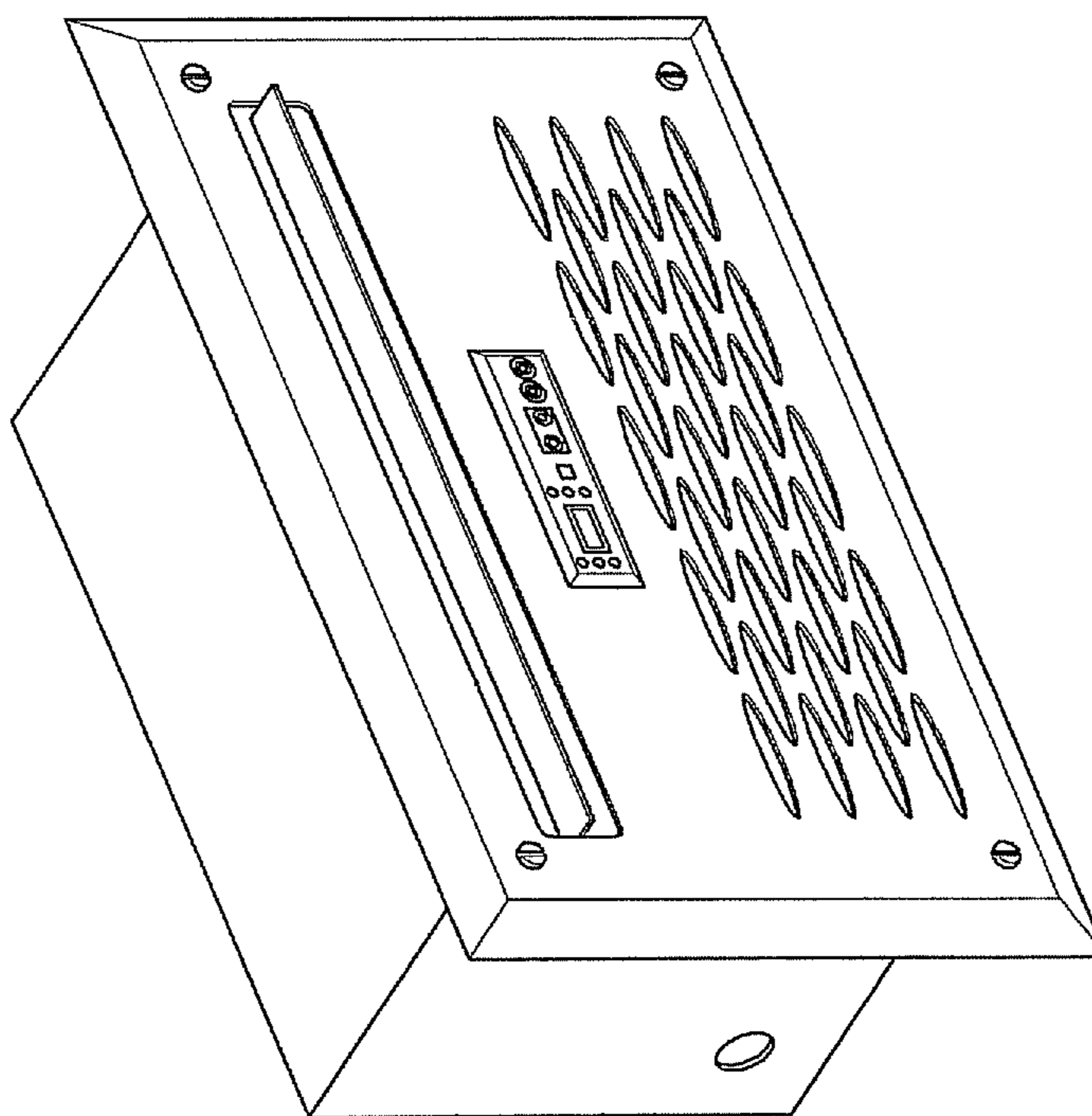


FIGURE 1

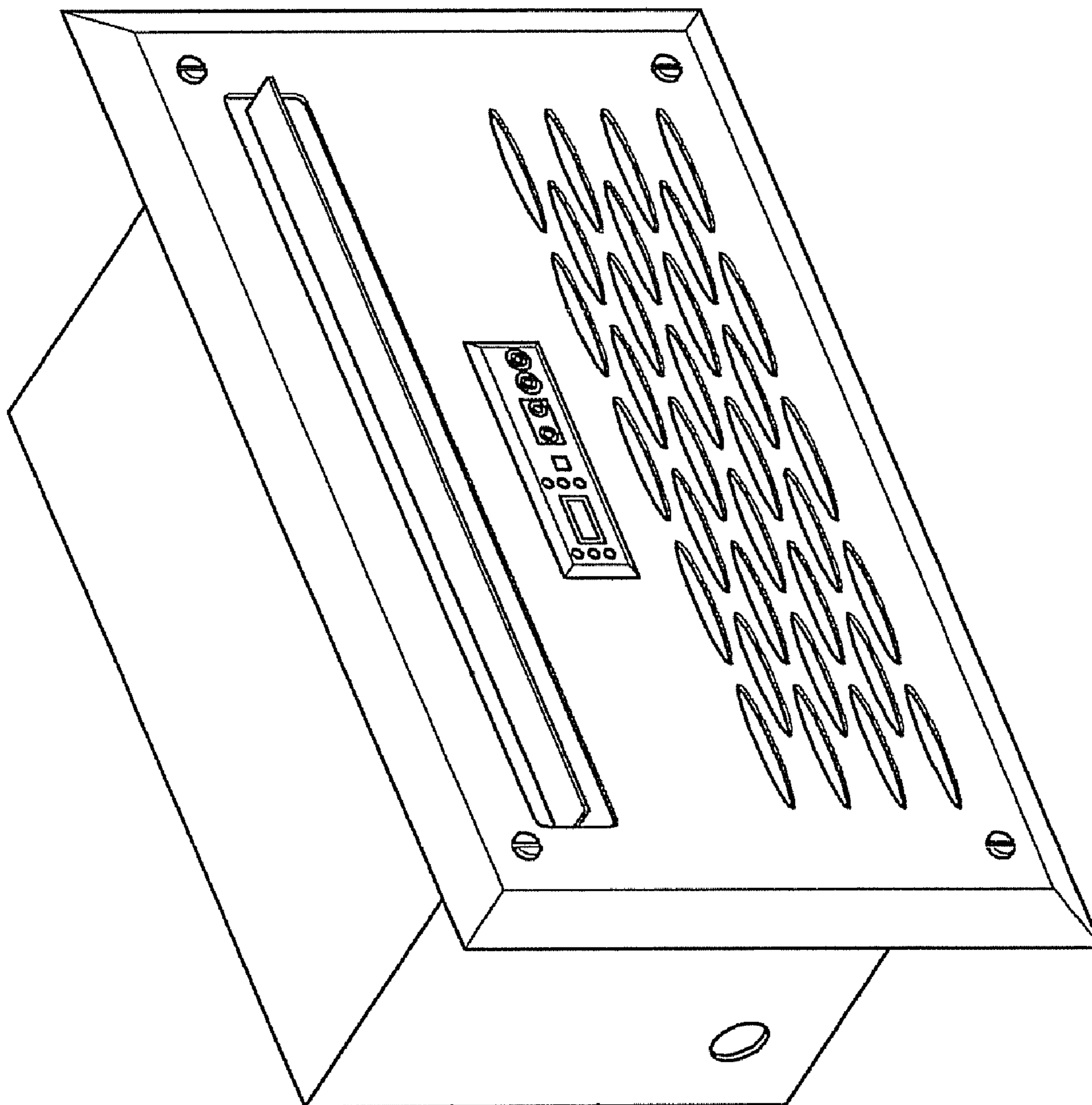


FIGURE 2

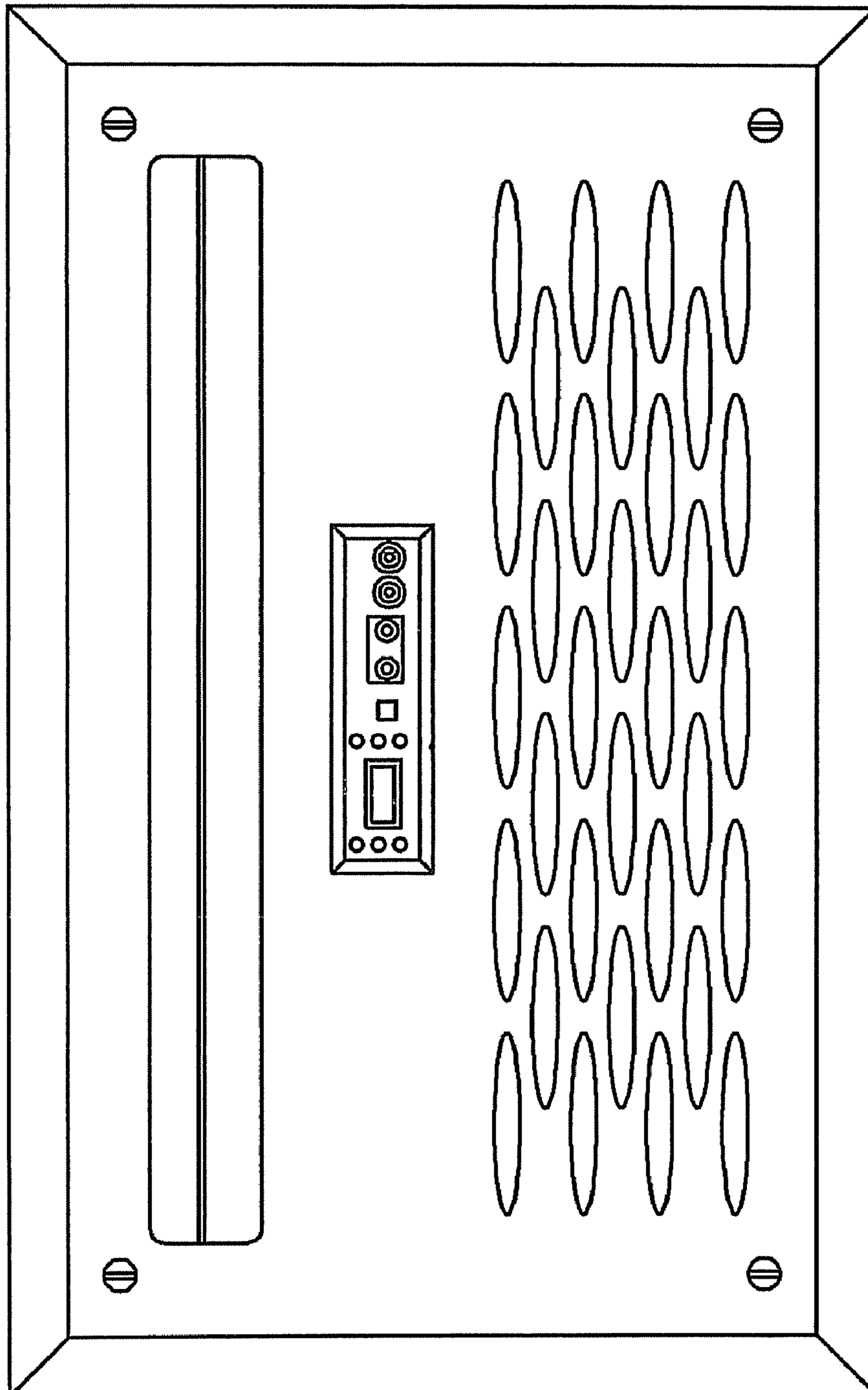


FIGURE 3

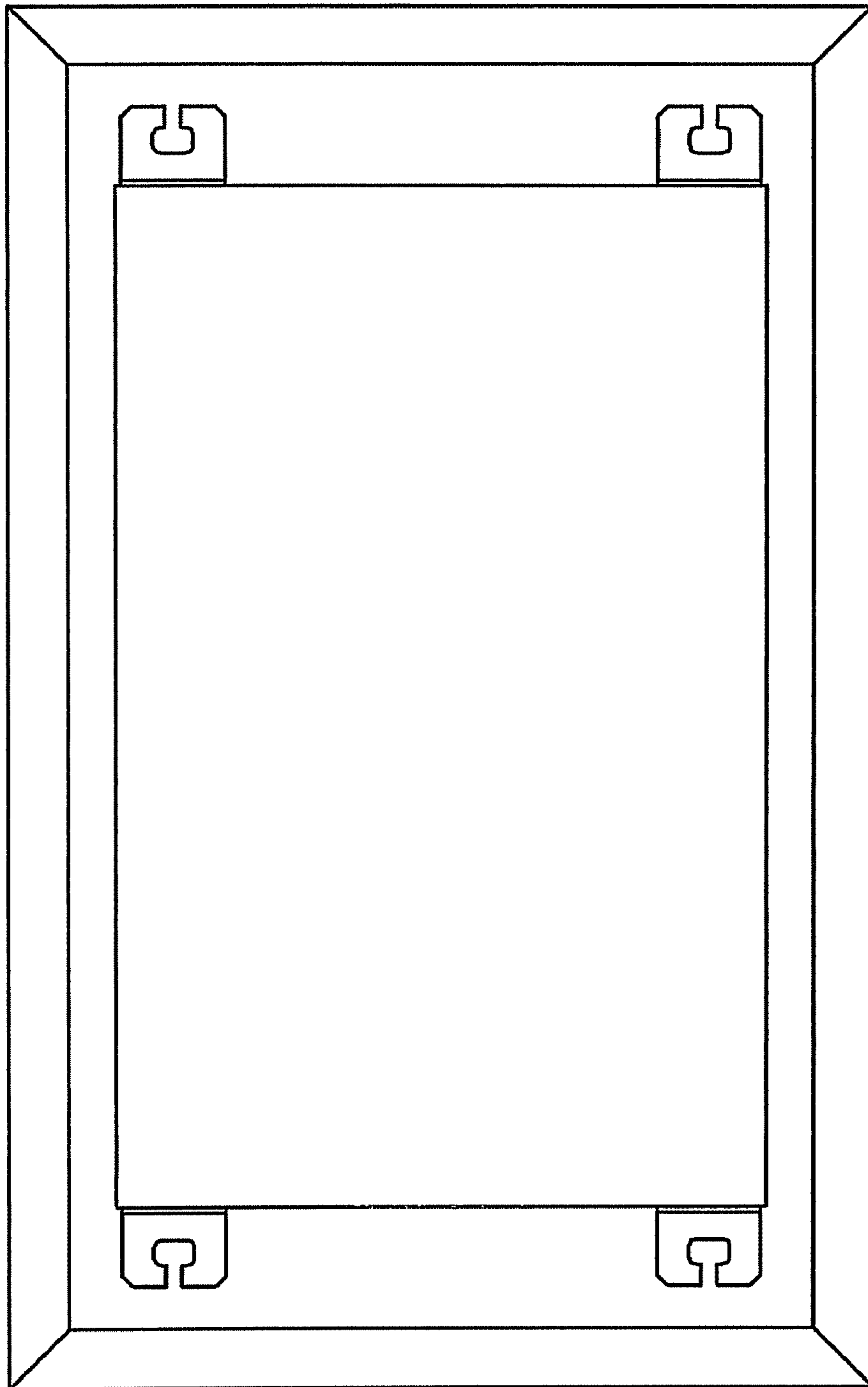


FIGURE 4

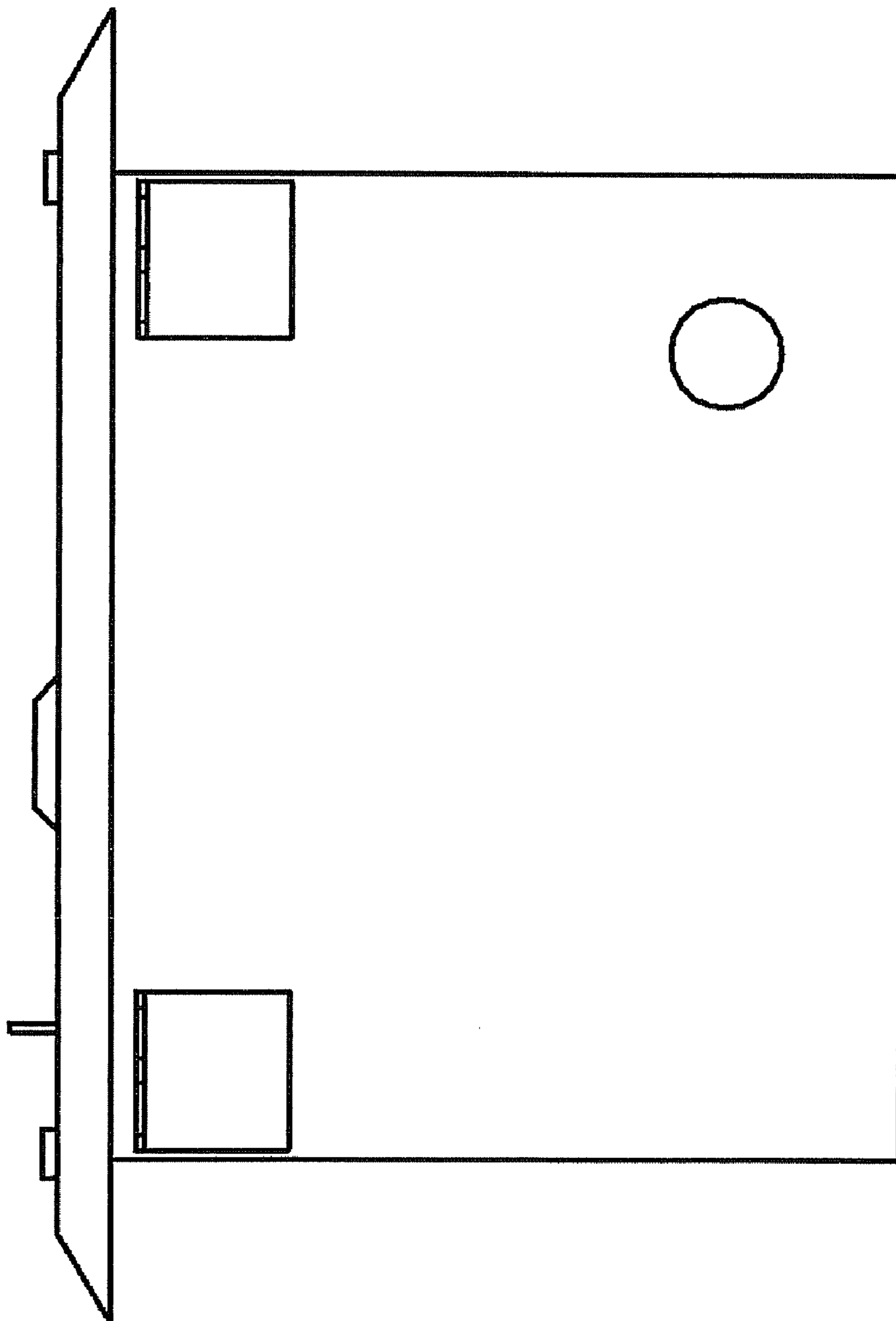


FIGURE 5

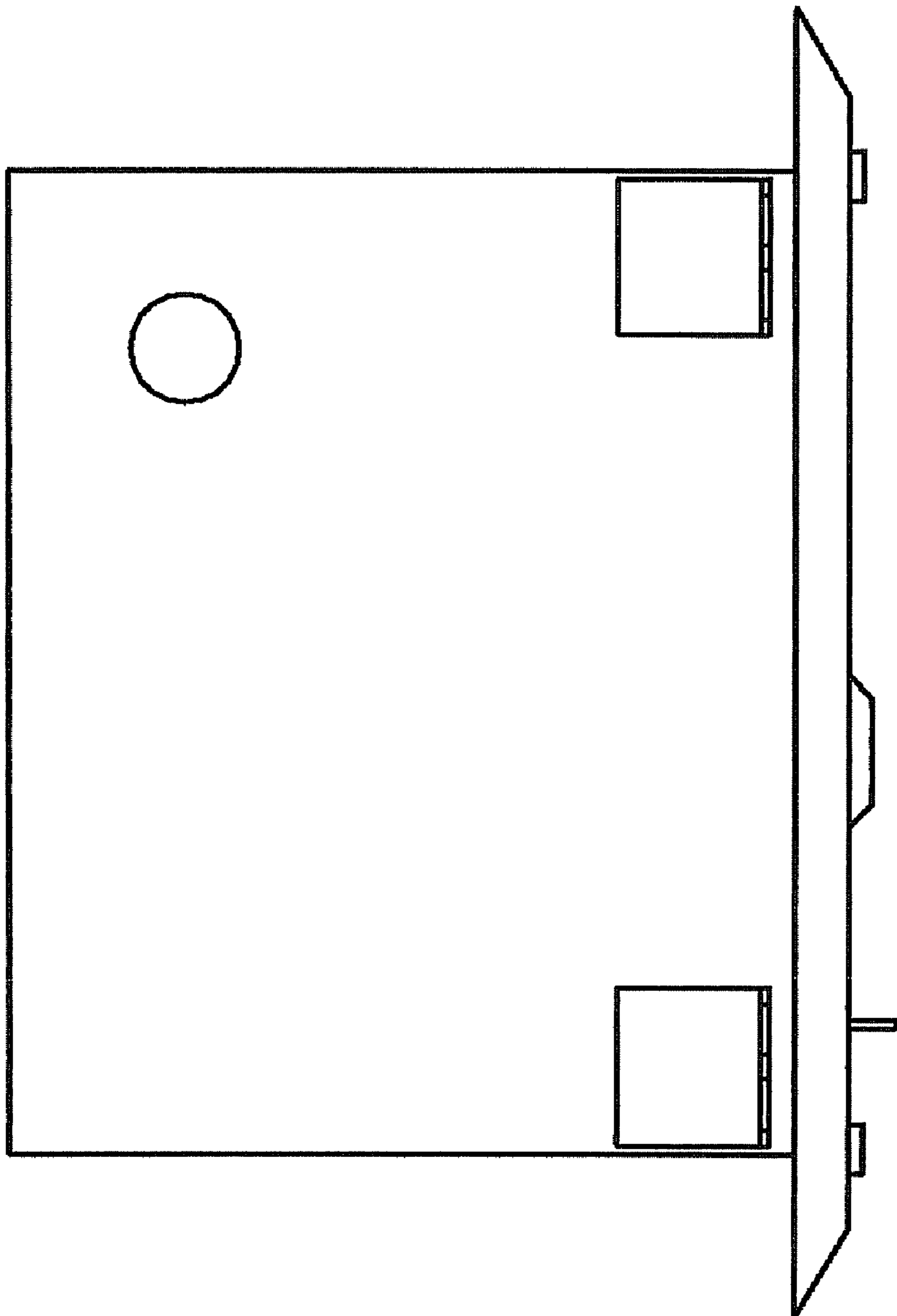


FIGURE 6

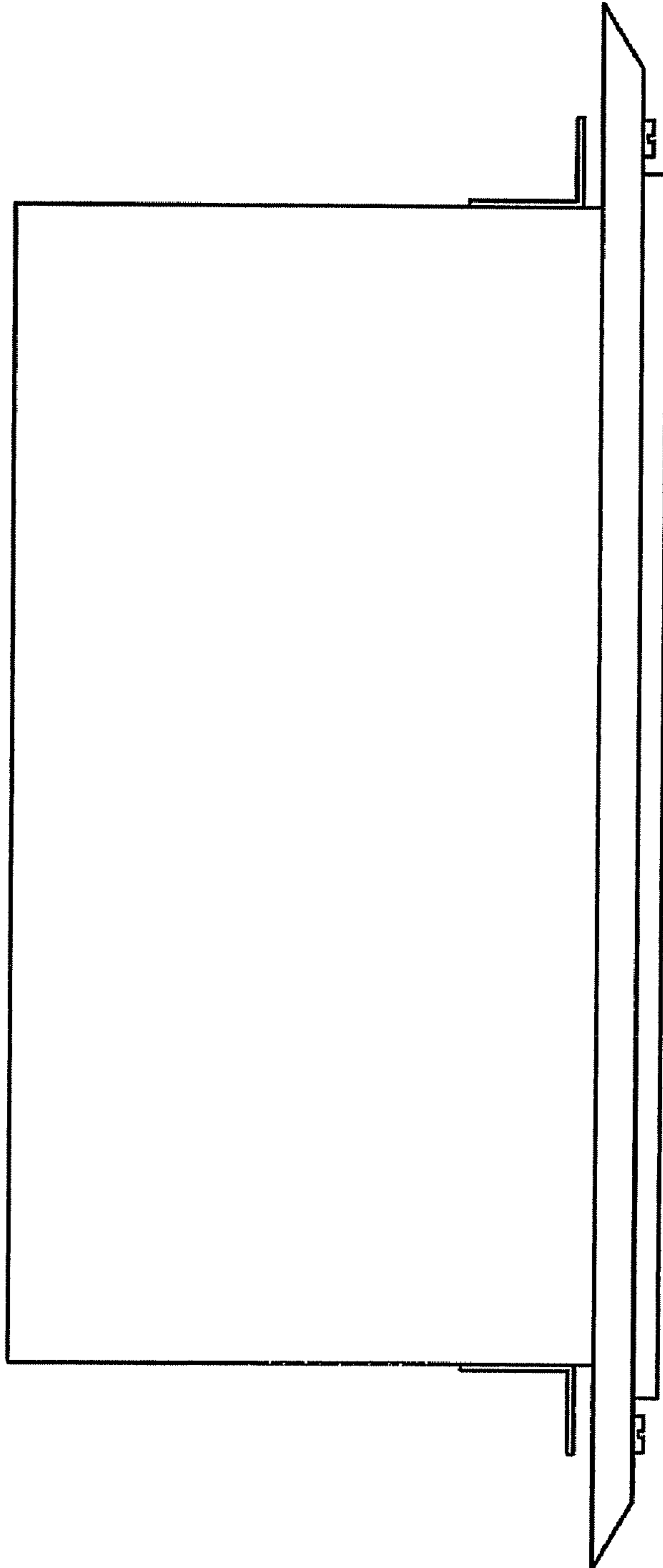


FIGURE 7

