



US00D590926S

(12) **United States Design Patent**  
**Crain**

(10) **Patent No.:** **US D590,926 S**  
(45) **Date of Patent:** **\*\* Apr. 21, 2009**

(54) **CORRUGATED DRAIN CONDUIT**  
(76) Inventor: **John F. Crain**, 749 Grandpa's La., St. Charles, MO (US) 63366  
(\*\*) Term: **14 Years**  
(21) Appl. No.: **29/263,862**  
(22) Filed: **Jul. 31, 2006**  
(51) **LOC (9) Cl.** ..... **23-01**  
(52) **U.S. Cl.** ..... **D23/266**  
(58) **Field of Classification Search** ..... D23/259-269, D23/213, 249, 257; 138/39, 42, 116, 155, 138/162, 166, 169, 97; 285/1, 112, 179, 285/3, 15, 45, 47, 123.1, 319, 328, 373, 340, 285/404, 53, 915; D8/396; 4/675-678; 403/291, 403/300; 411/5, 10; 137/801  
See application file for complete search history.

5,586,416 A \* 12/1996 Hess et al. .... 52/169.5  
5,694,723 A 12/1997 Parker  
5,738,147 A \* 4/1998 Mestres ..... 138/112  
5,845,456 A \* 12/1998 Read ..... 52/741.11  
6,230,468 B1 5/2001 Klaus  
6,247,500 B1 \* 6/2001 McMahon ..... 138/157  
6,293,311 B1 \* 9/2001 Bushi et al. .... 138/138  
D454,940 S \* 3/2002 Hoenig ..... D23/259  
6,550,190 B2 4/2003 Ruiz et al.  
6,598,360 B1 7/2003 Pratt  
2002/0096347 A1 \* 7/2002 Pyron ..... 174/50  
2002/0117224 A1 \* 8/2002 Vakili ..... 135/39  
2006/0213572 A1 \* 9/2006 Beaulieu ..... 138/155  
2007/0044396 A1 \* 3/2007 Janesky ..... 52/169.5

\* cited by examiner

*Primary Examiner*—Louis S Zarfaz  
*Assistant Examiner*—Michael A Pratt  
(74) *Attorney, Agent, or Firm*—Harness, Dickey & Pierce, P.L.C.

(56) **References Cited**

U.S. PATENT DOCUMENTS

1,608,889 A \* 11/1926 Lampe ..... 405/48  
2,703,002 A 3/1955 Suskind  
2,991,807 A \* 7/1961 Turner ..... 138/113  
3,283,460 A 11/1966 Patrick  
3,287,866 A 11/1966 Bevilacqua  
D244,033 S \* 4/1977 Elson ..... D23/266  
4,185,429 A 1/1980 Mendola  
4,333,281 A 6/1982 Scarfone  
4,745,716 A 5/1988 Kuypers  
D296,356 S 6/1988 Kanao  
4,869,032 A 9/1989 Geska  
5,072,972 A \* 12/1991 Justice ..... 285/373  
5,100,258 A 3/1992 VanWagoner  
5,297,992 A \* 3/1994 Bailey et al. .... 454/339  
5,390,960 A \* 2/1995 Blake ..... 285/302  
5,406,758 A \* 4/1995 Baum ..... 405/43  
5,419,593 A \* 5/1995 Greene et al. .... 285/419  
D364,918 S \* 12/1995 Hutchens ..... D23/262  
5,501,044 A 3/1996 Janesky

(57) **CLAIM**

The ornamental design for corrugated drain conduit, as shown and described.

**DESCRIPTION**

FIG. 1 is a front elevation view of a drain conduit showing my new design;

FIG. 2. is a right side elevation view, the opposite side being a mirror image thereof;

FIG. 3 is a top elevation view thereof; and,

FIG. 4 is a front perspective view thereof.

The views of the corrugated drain conduit not shown form no part of the claimed design. The dashed lines represent environmental elements only and form no part of the claimed design. The break lines in FIGS. 1-4 indicate that no specific length is being claimed.

**1 Claim, 2 Drawing Sheets**



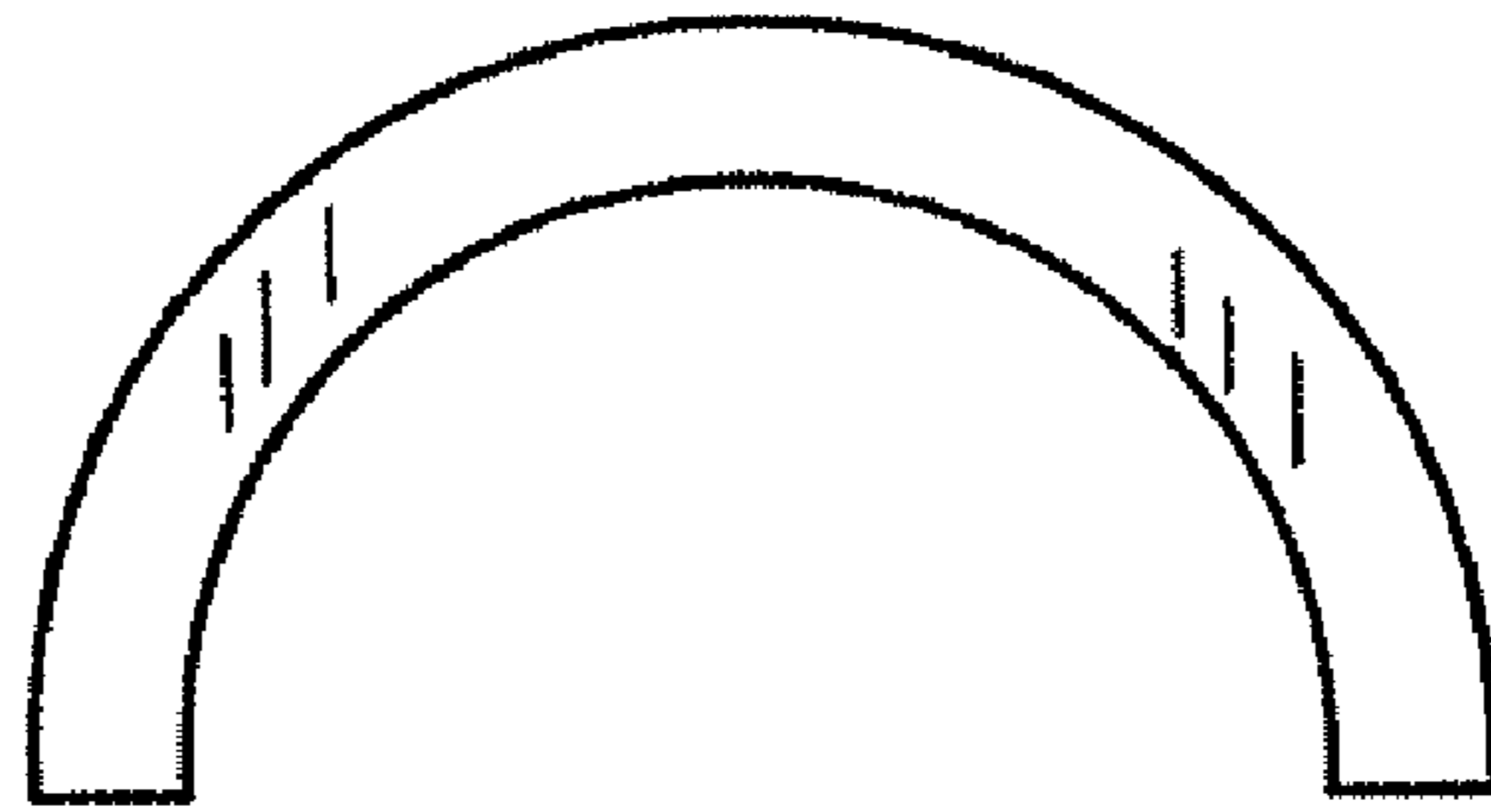


Fig. 1

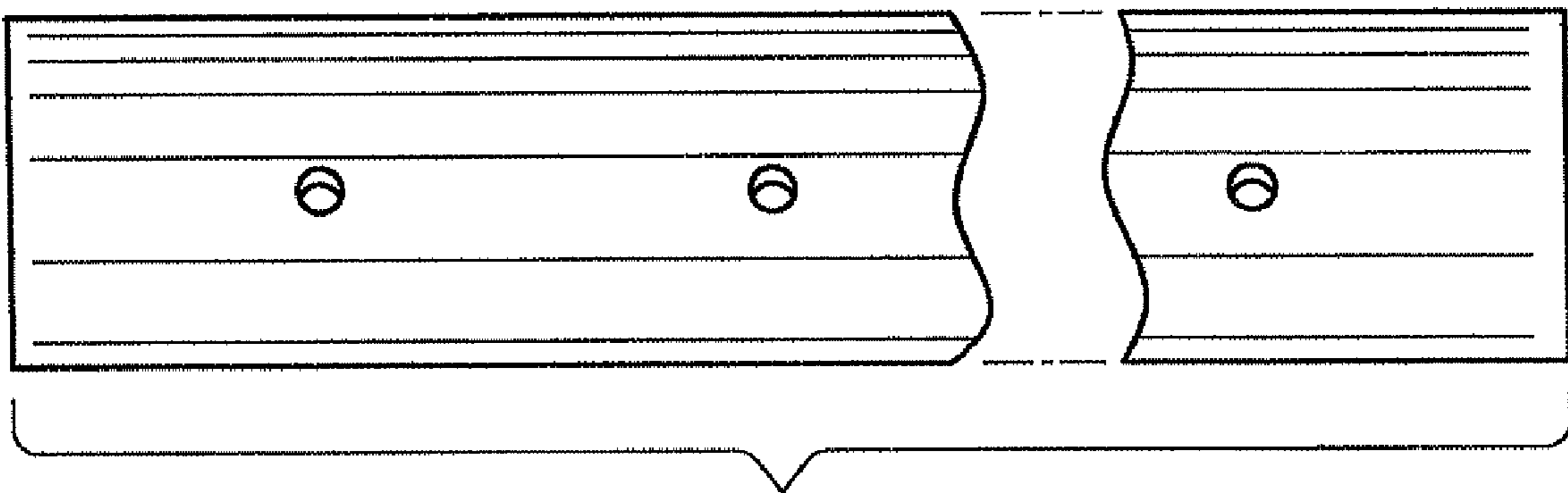


Fig. 2

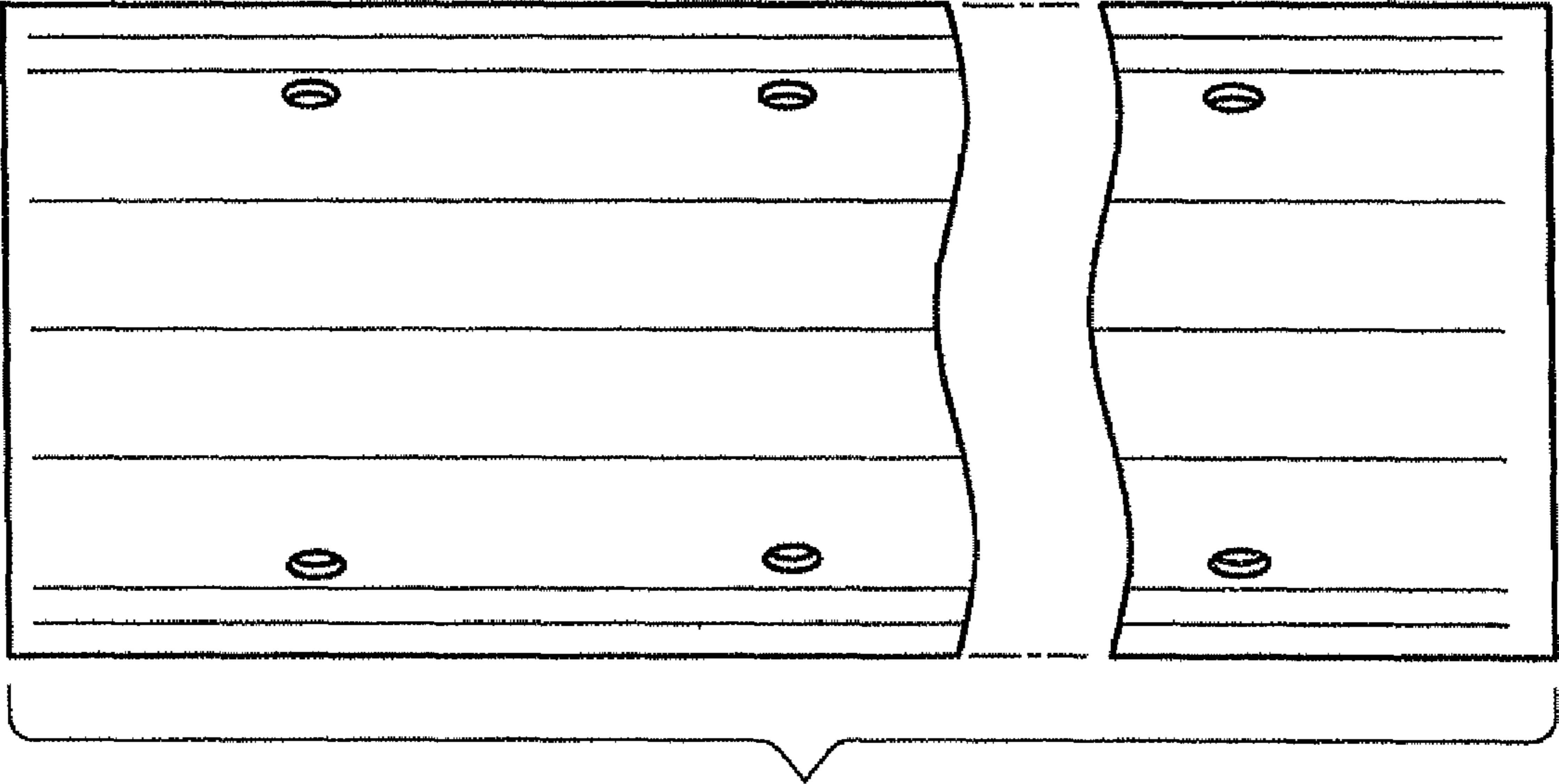


Fig. 3

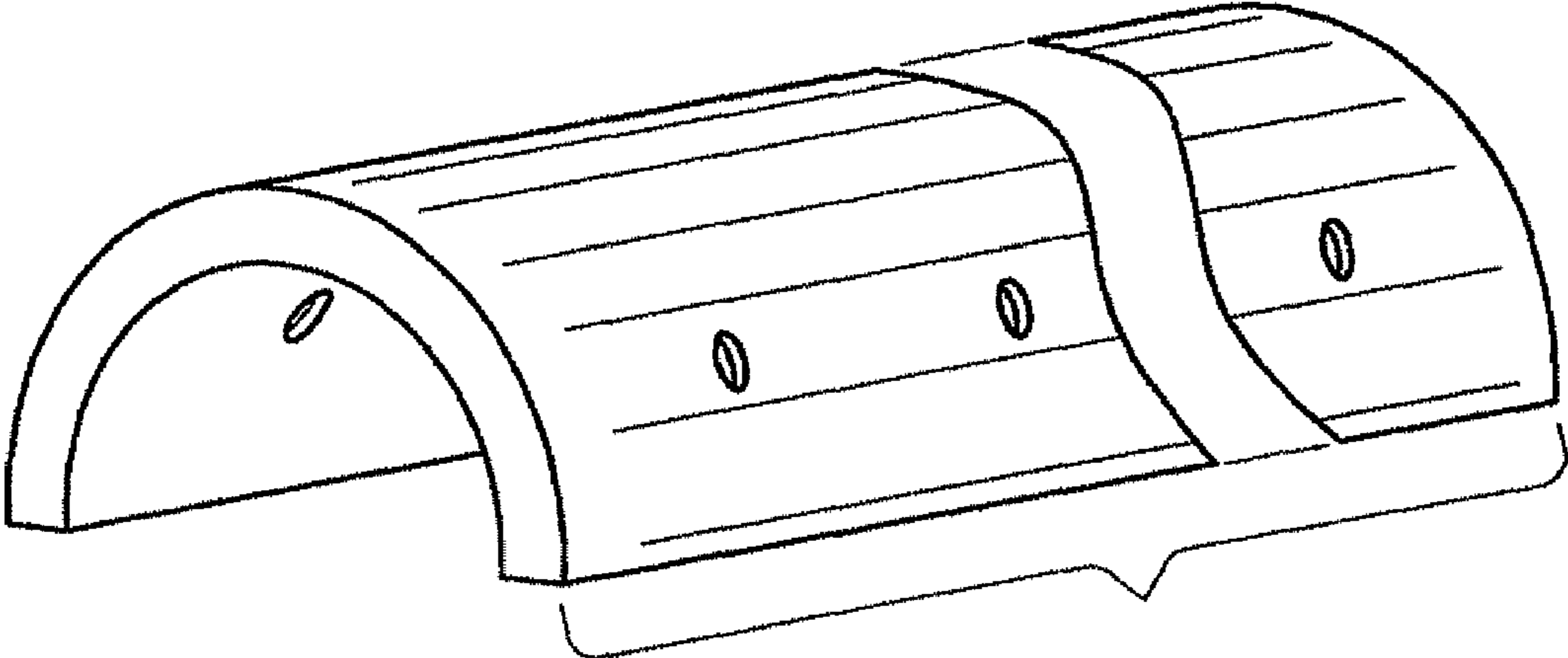


Fig. 4