



US00D590925S

(12) **United States Design Patent**  
**Nagle et al.**

(10) **Patent No.:** **US D590,925 S**  
(45) **Date of Patent:** **\*\* Apr. 21, 2009**

(54) **PIPE COUPLING**

(75) Inventors: **William A. Nagle**, Laureldale, PA (US);  
**Scott D. Madara**, Nazareth, PA (US);  
**John W. Pierce**, Nazareth, PA (US);  
**Douglas R. Dole**, Whitehouse Station,  
NJ (US)

(73) Assignee: **Victaulic Company**, Easton, PA (US)

(\*\*) Term: **14 Years**

(21) Appl. No.: **29/323,294**

(22) Filed: **Aug. 22, 2008**

**Related U.S. Application Data**

(62) Division of application No. 29/278,187, filed on Mar. 21, 2007.

(51) **LOC (9) Cl.** ..... **23-01**

(52) **U.S. Cl.** ..... **D23/262**

(58) **Field of Classification Search** ..... D23/213,  
D23/249, 257, 259, 260-269; 239/428.5;  
261/DIG. 22; D8/396; 285/1, 112, 179,  
285/340, 367, 373, 404, 53, 915; 4/675-678;  
403/291, 300; 411/5, 10; 137/801  
See application file for complete search history.

(56) **References Cited**

**U.S. PATENT DOCUMENTS**

D142,057 S *	8/1945	Baxter	.....	D23/265
D142,834 S *	11/1945	Campbell	.....	D23/265
D168,928 S *	3/1953	English	.....	D23/265
2,752,173 A *	6/1956	Krooss	.....	285/383
4,408,788 A *	10/1983	Beukema	.....	285/419
D287,532 S *	12/1986	Jones et al.	.....	D23/265
4,896,902 A *	1/1990	Weston	.....	285/93

D334,050 S *	3/1993	Foxlee	.....	D23/263
D339,975 S *	10/1993	Bird et al.	.....	D8/354
5,911,446 A *	6/1999	McLennan et al.	.....	285/104
6,076,861 A *	6/2000	Ikeda	.....	285/112
7,090,259 B2 *	8/2006	Dole	.....	285/367
D558,307 S *	12/2007	Gibb et al.	.....	D23/265
D560,764 S *	1/2008	Gibb et al.	.....	D23/265
D568,451 S *	5/2008	Gibb et al.	.....	D23/262
D570,458 S *	6/2008	Gibb et al.	.....	D23/262
2005/0242585 A1 *	11/2005	Dole et al.	.....	285/367

\* cited by examiner

*Primary Examiner*—T. Chase Nelson

*Assistant Examiner*—Michael A Pratt

(74) *Attorney, Agent, or Firm*—Ballard Spahr Andrews and  
Ingersoll, LLP

(57) **CLAIM**

We claim the ornamental design for a pipe coupling, as shown and described.

**DESCRIPTION**

FIG. 1 is an isometric view of our design for a pipe coupling; FIG. 2 is a front view of the design for the pipe coupling shown in FIG. 1, the rear view being identical;

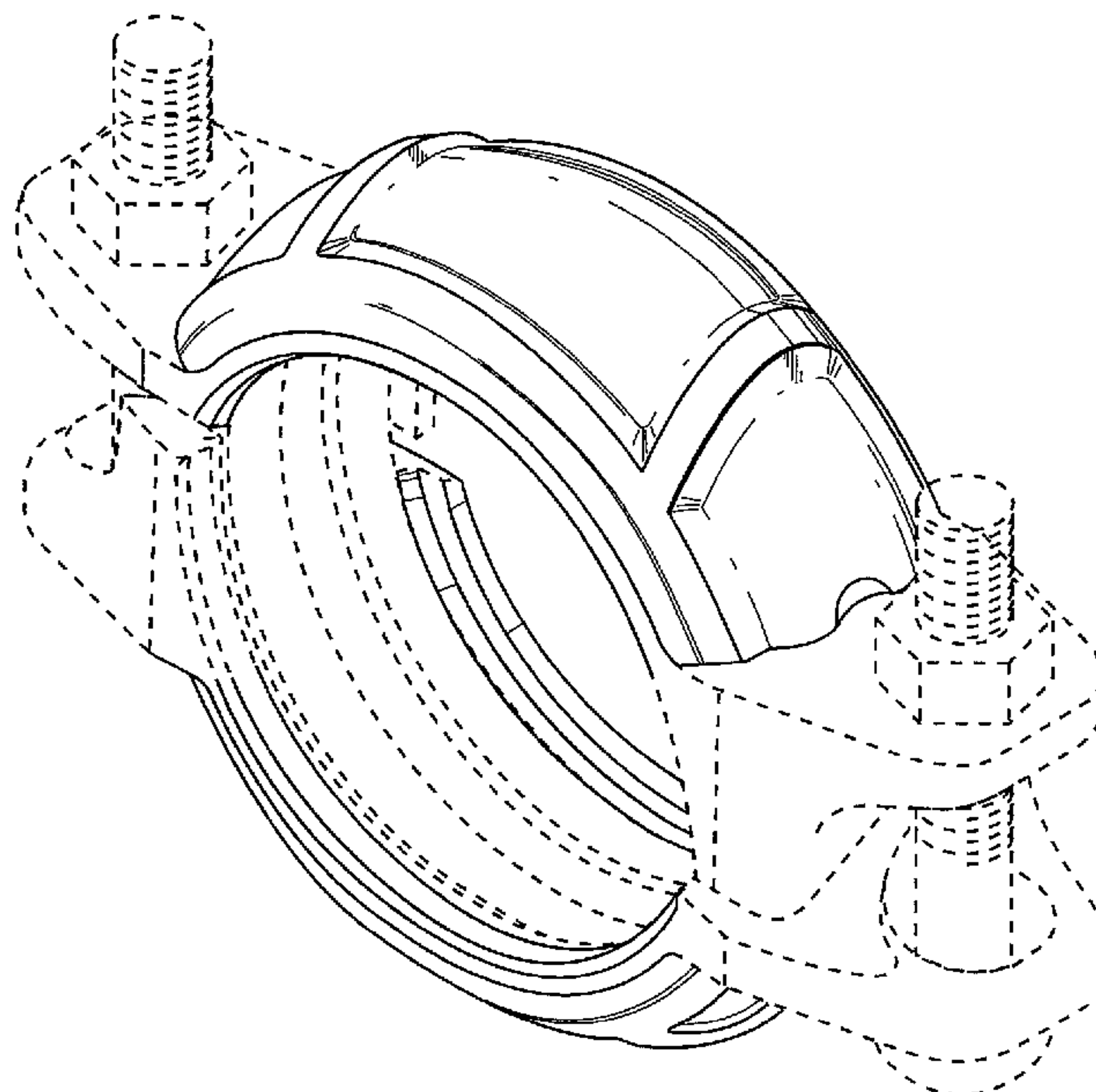
FIG. 3 is a top view of the design for the pipe coupling shown in FIG. 1;

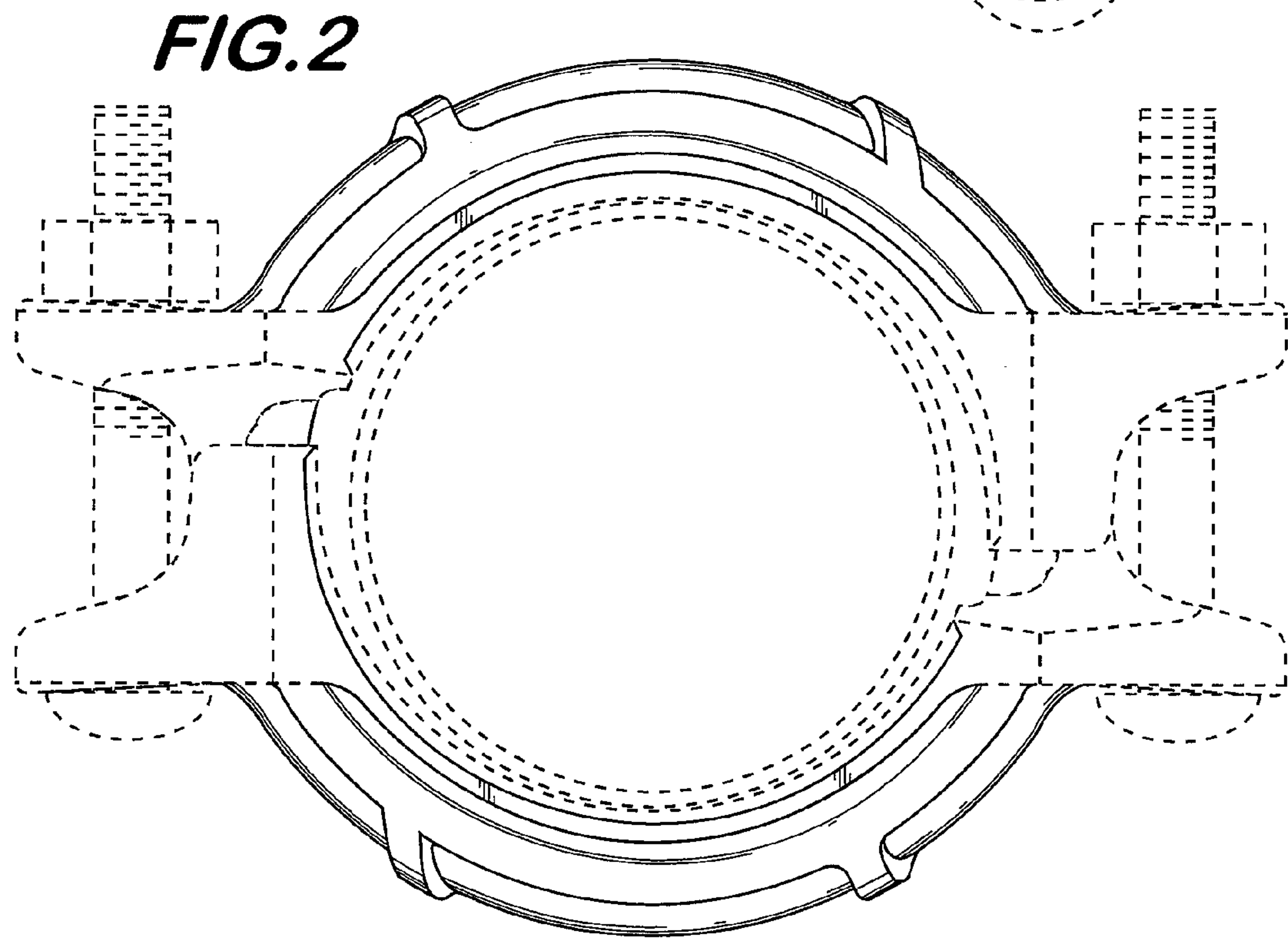
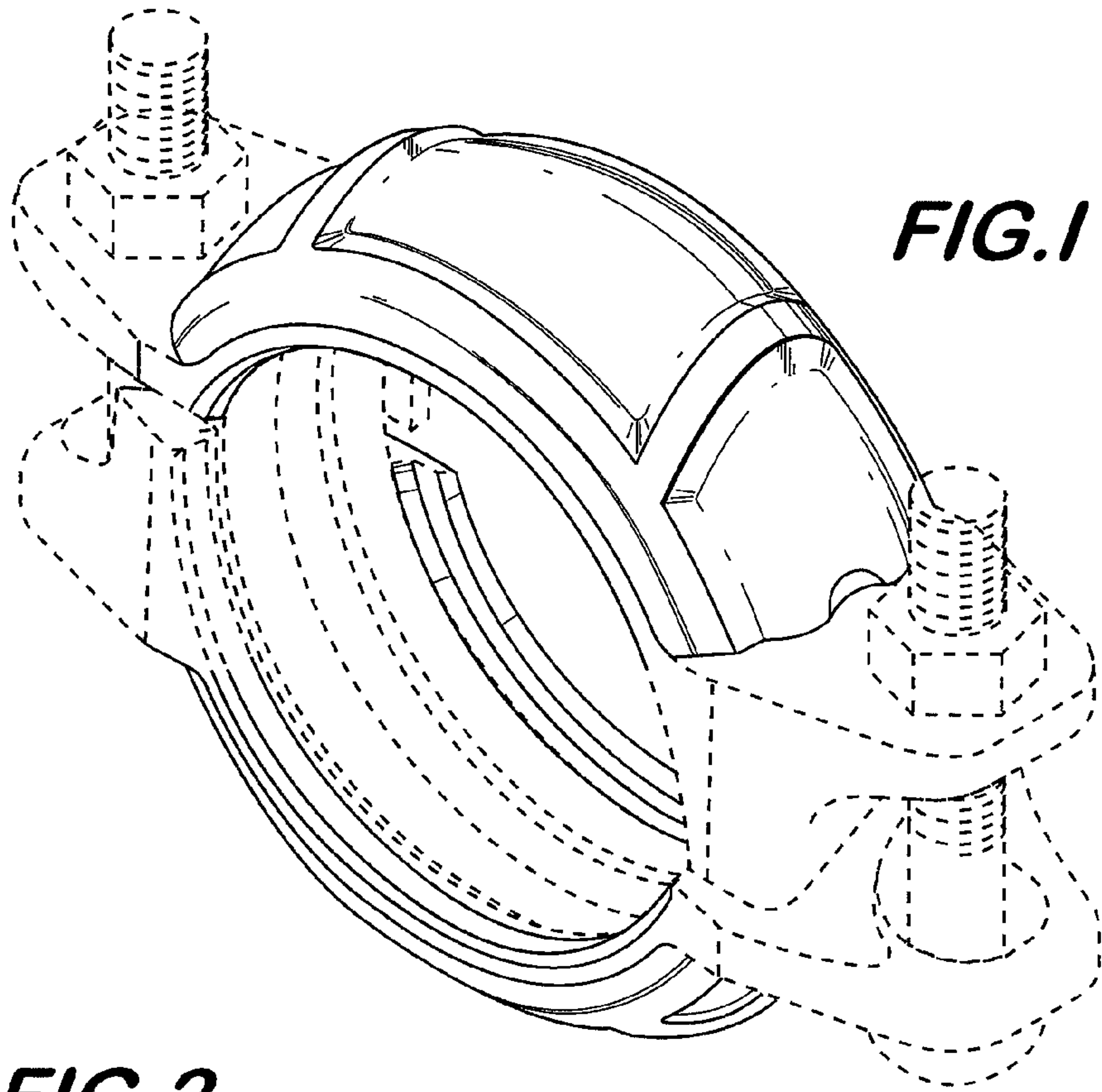
FIG. 4 is a bottom view of the design for the pipe coupling shown in FIG. 1; and,

FIG. 5 is a left side view of the design for the pipe coupling shown in FIG. 1, the right side view being identical.

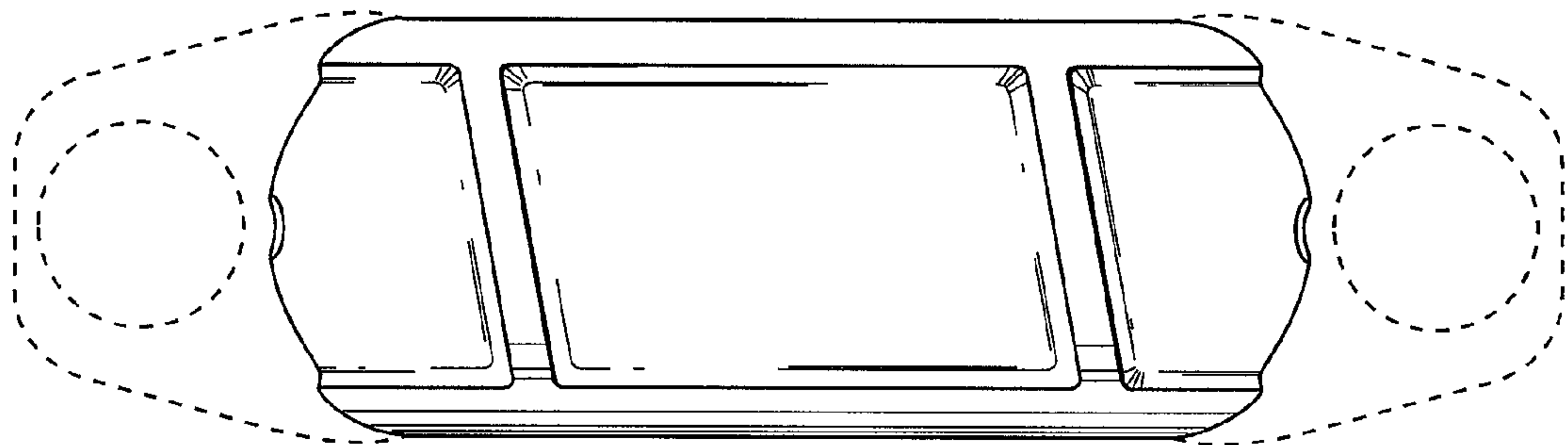
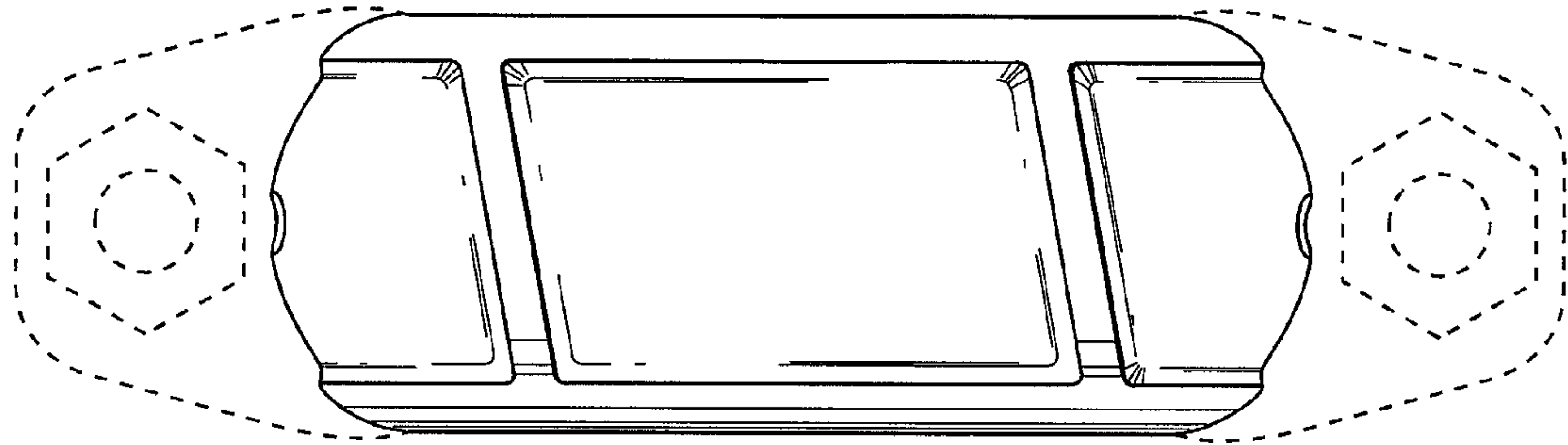
The broken lines in FIGS. 1-5 are in no way intended to form part of the claimed design and are for illustrative purposes only.

**1 Claim, 2 Drawing Sheets**

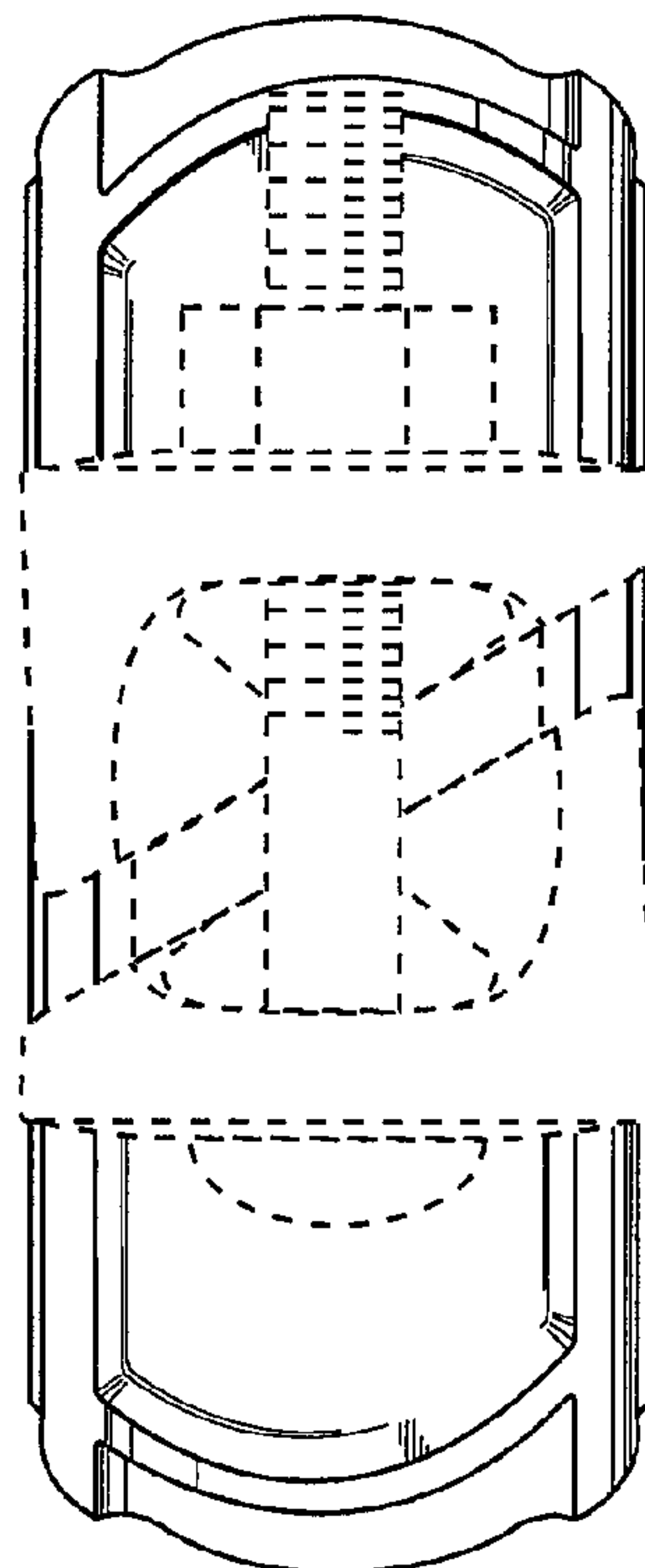




**FIG. 3**



**FIG. 4**



**FIG. 5**