



US00D590922S

(12) **United States Design Patent**
Shieh

(10) **Patent No.:** **US D590,922 S**
(45) **Date of Patent:** **** Apr. 21, 2009**

(54) **FAUCET BODY**

(75) Inventor: **Ming-Dang Shieh**, Chang Hua Hsien
(TW)

(73) Assignee: **Horng Lai Industrial Co., Ltd.**, Chang
Hua Hsien (TW)

(**) Term: **14 Years**

(21) Appl. No.: **29/319,525**

(22) Filed: **Jun. 11, 2008**

(51) **LOC (9) Cl.** **23-01**

(52) **U.S. Cl.** **D23/255**

(58) **Field of Classification Search** D23/200,
D23/238-257; 4/675-678; 137/801
See application file for complete search history.

(56) **References Cited**

U.S. PATENT DOCUMENTS

| | | | | |
|--------------|---------|------------------|-------|---------|
| D464,406 S * | 10/2002 | Gottwald | | D23/255 |
| D465,270 S * | 11/2002 | Gottwald | | D23/257 |
| D472,308 S * | 3/2003 | Hundley | | D23/255 |
| D517,650 S * | 3/2006 | Shieh | | D23/238 |
| D521,612 S * | 5/2006 | Fritz | | D23/255 |
| D524,414 S * | 7/2006 | Marcichow et al. | | D23/238 |
| D524,416 S * | 7/2006 | Haug et al. | | D23/238 |
| D524,426 S * | 7/2006 | Sallick et al. | | D23/255 |
| D528,640 S * | 9/2006 | Yoshioka | | D23/255 |

| | | | | |
|--------------|---------|------------------|-------|---------|
| D547,831 S * | 7/2007 | Williams et al. | | D23/255 |
| D566,242 S * | 4/2008 | Kohler et al. | | D23/255 |
| D581,025 S * | 11/2008 | Schonherr et al. | | D23/255 |
| D581,492 S * | 11/2008 | Schonherr et al. | | D23/255 |

* cited by examiner

Primary Examiner—T. Chase Nelson

Assistant Examiner—Mark Cavanna

(74) *Attorney, Agent, or Firm*—Alan Kamrath; Kamrath &
Associates PA

(57) **CLAIM**

The ornamental design for a faucet body, as shown and
described.

DESCRIPTION

FIG. 1 is a perspective view of a faucet body showing my new
design

FIG. 2 is a front elevational view thereof;

FIG. 3 is a rear elevational view thereof;

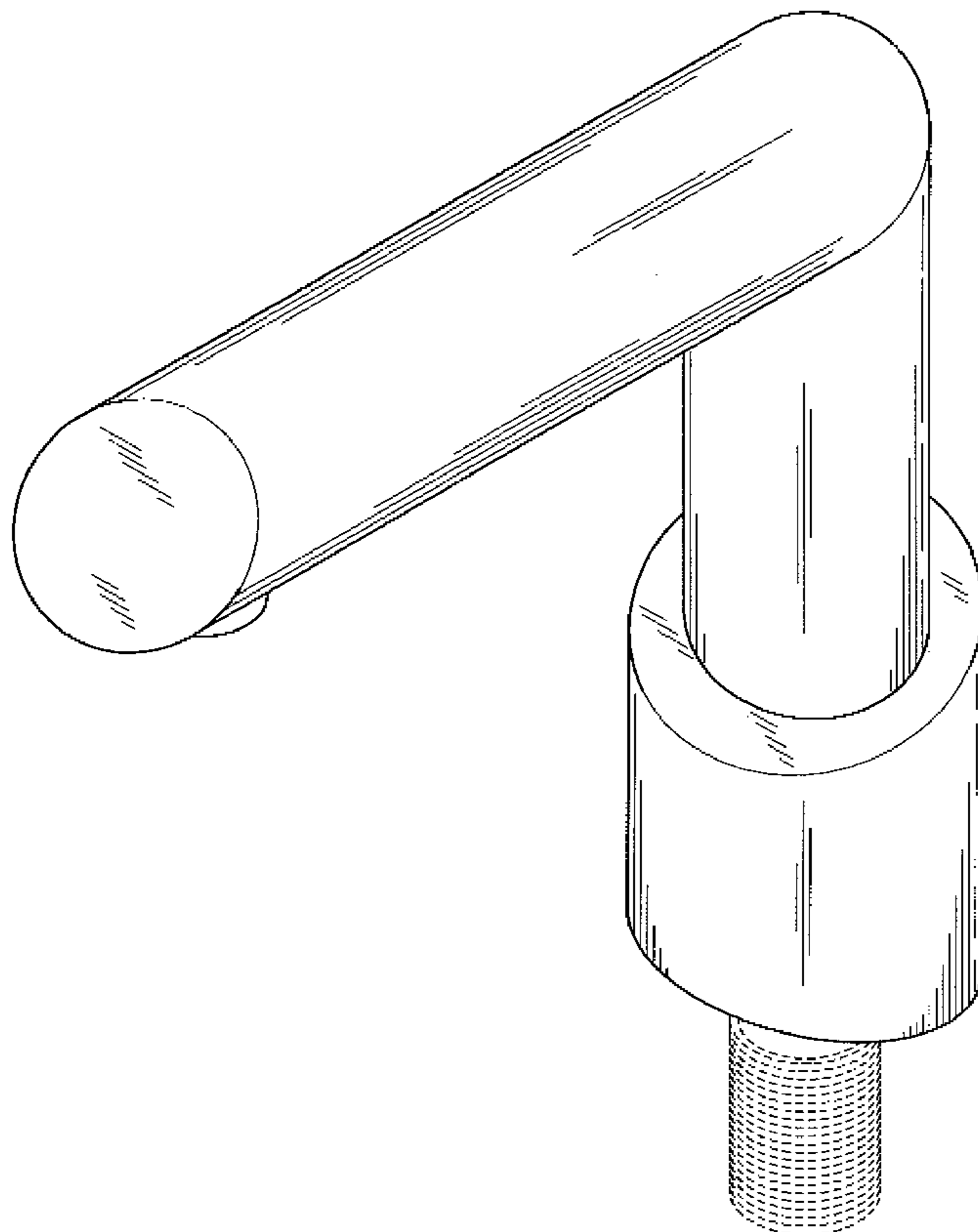
FIG. 4 is a left side elevational view thereof;

FIG. 5 is a right side elevational view thereof; and,

FIG. 6 is a top plan view thereof.

The broken lines are included for the purpose of illustrating
portions of the faucet handle that forms no part of the claimed
design.

1 Claim, 4 Drawing Sheets



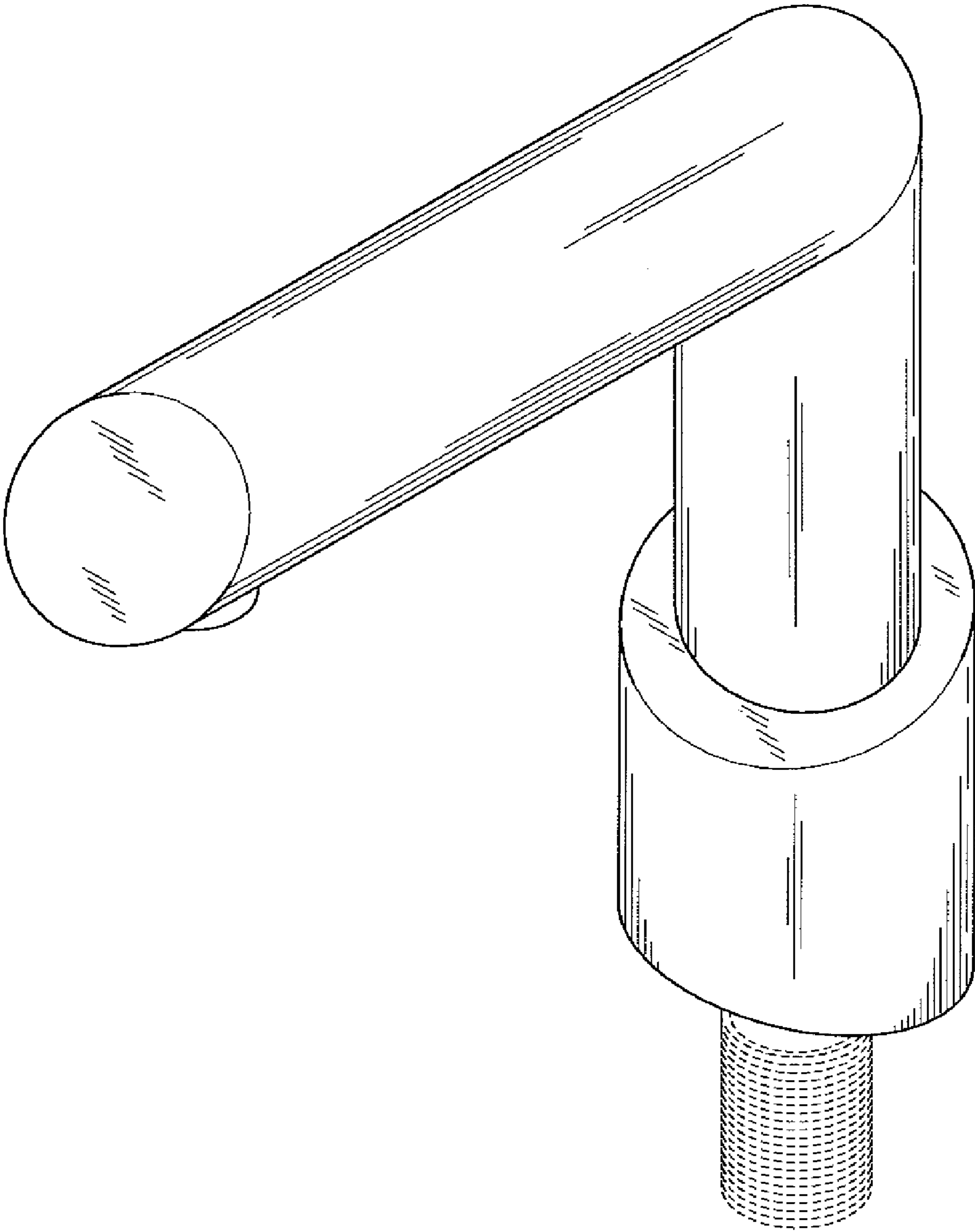


FIG. 1

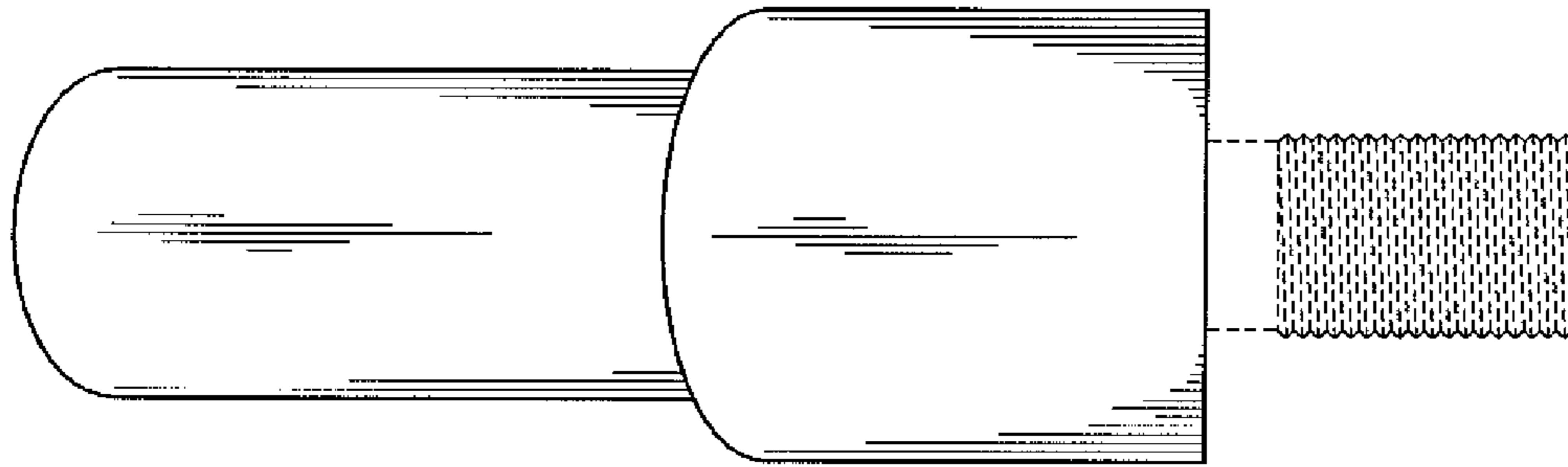


FIG. 3

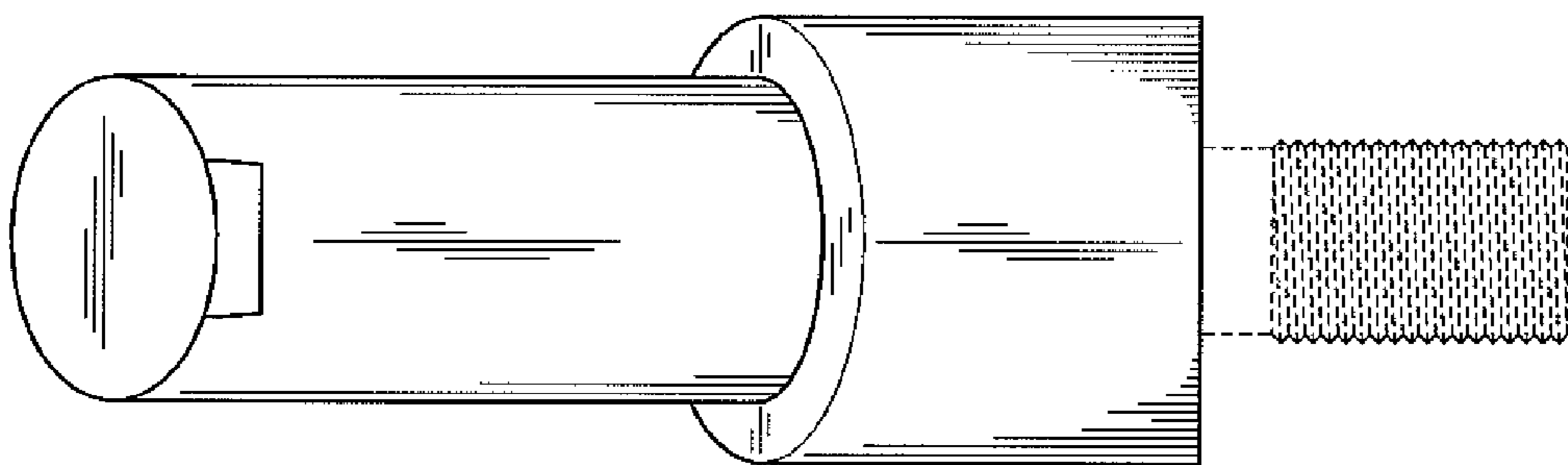


FIG. 2

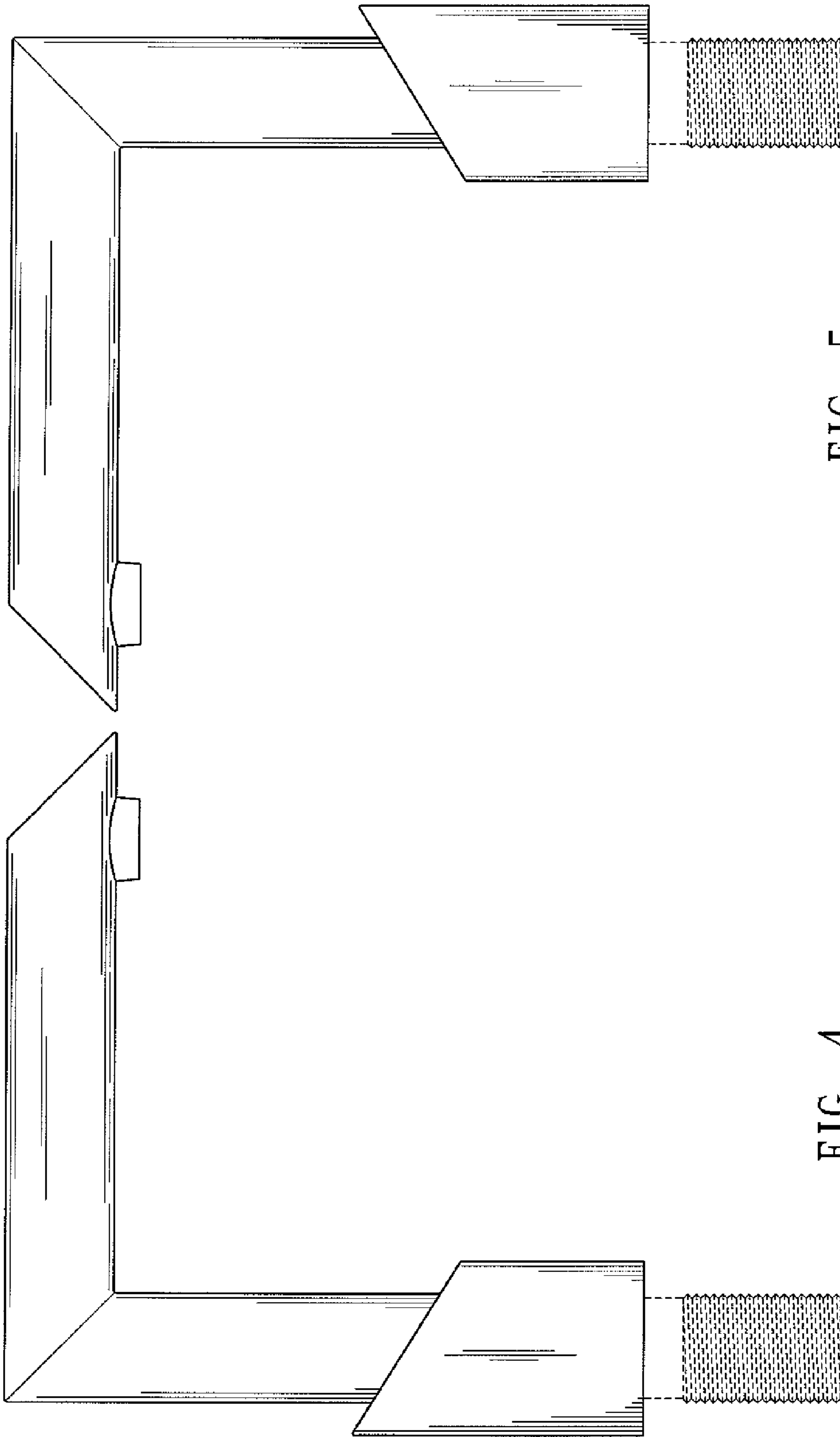


FIG. 5

FIG. 4

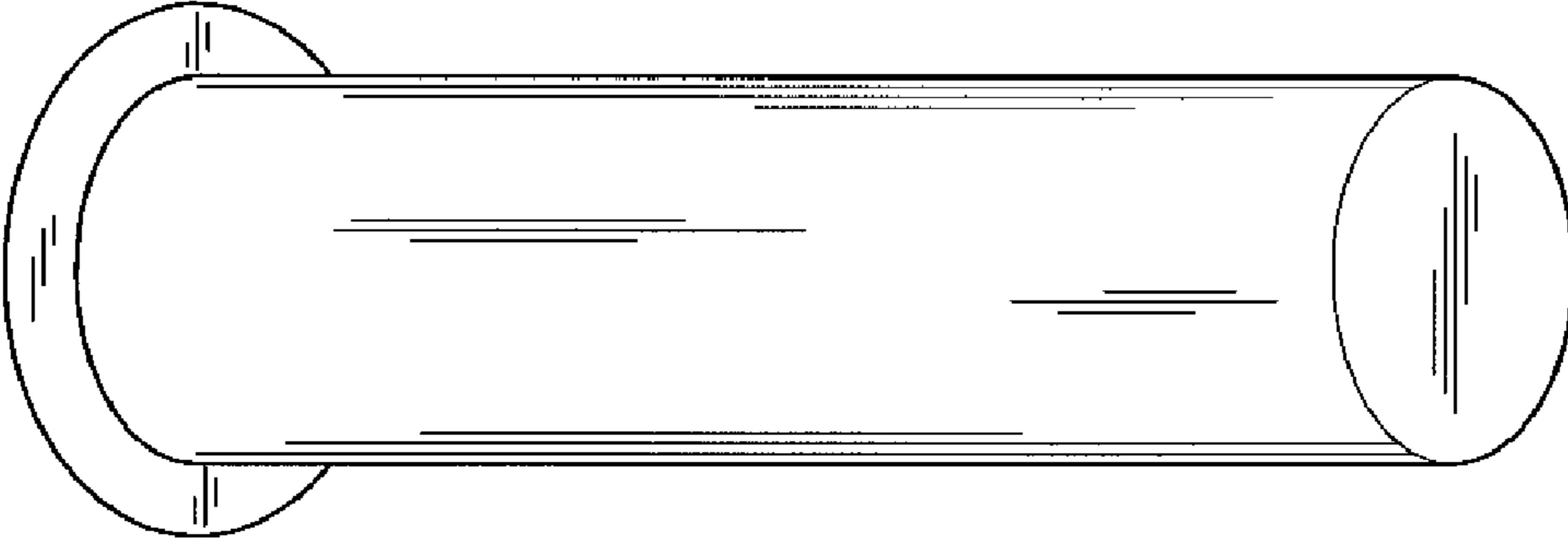


FIG. 6