



US00D590921S

(12) **United States Design Patent**
Soulier

(10) **Patent No.:** **US D590,921 S**

(45) **Date of Patent:** **** Apr. 21, 2009**

(54) **SPOUT BODY**

(75) Inventor: **Jean-Hugues Soulier**, Paris (FR)

(73) Assignee: **Kohler France SAS**, Paris (FR)

(**) Term: **14 Years**

(21) Appl. No.: **29/284,138**

(22) Filed: **Aug. 31, 2007**

(51) **LOC (9) Cl.** **23-01**

(52) **U.S. Cl.** **D23/255**

(58) **Field of Classification Search** D23/238–243,
D23/255–257; 4/675–678; 137/801; D8/300,
D8/307–308, 321; 16/110.1

See application file for complete search history.

(56) **References Cited**

U.S. PATENT DOCUMENTS

D416,311 S	11/1999	Fleischmann	
D429,796 S	8/2000	Fleischmann	
D457,941 S	5/2002	Lobermeier	
D458,987 S	6/2002	Gottwald	
D479,580 S *	9/2003	Haug et al.	D23/238
D492,390 S *	6/2004	Fraser et al.	D23/241
D500,355 S	12/2004	Fleischmann	
D514,200 S	1/2006	Starck	
D566,235 S *	4/2008	Heck et al.	D23/238

FOREIGN PATENT DOCUMENTS

EM 000450085-0007 2/2006

OTHER PUBLICATIONS

Jacob Delafon. "Symbol". Model No. E71685. Jacob Delafon online catalog.

Jacob Delafon. "Salute". Model No. E71086. Jacob Delafon online catalog.

Victorian Bathrooms. "Serie 10 Bath Mixer". VictorianBathrooms.com online catalog. Copyright 2006 Victorian Bathrooms Ltd.

Hudson Reed. "Hudson Reed Thermostatic Bath Shower Mixer". BathroomHeaven.com online catalog.

* cited by examiner

Primary Examiner—Robert A Delehanty

(74) *Attorney, Agent, or Firm*—Quarles & Brady LLP

(57) **CLAIM**

The ornamental design for a spout body, as shown and described.

DESCRIPTION

In a preferred embodiment, the nature of this product is a spout body for a plumbing fitting, such as a wall-mounted or deck-mounted faucet.

FIG. 1 is a left, top, front perspective view of a spout body according to my new design;

FIG. 2 is a top plan view thereof;

FIG. 3 is a left side elevational view thereof, the right side elevational view thereof being a mirror image of the left side shown;

FIG. 4 is a front elevational view thereof;

FIG. 5 is a bottom plan view thereof;

FIG. 6 is a rear elevational view thereof;

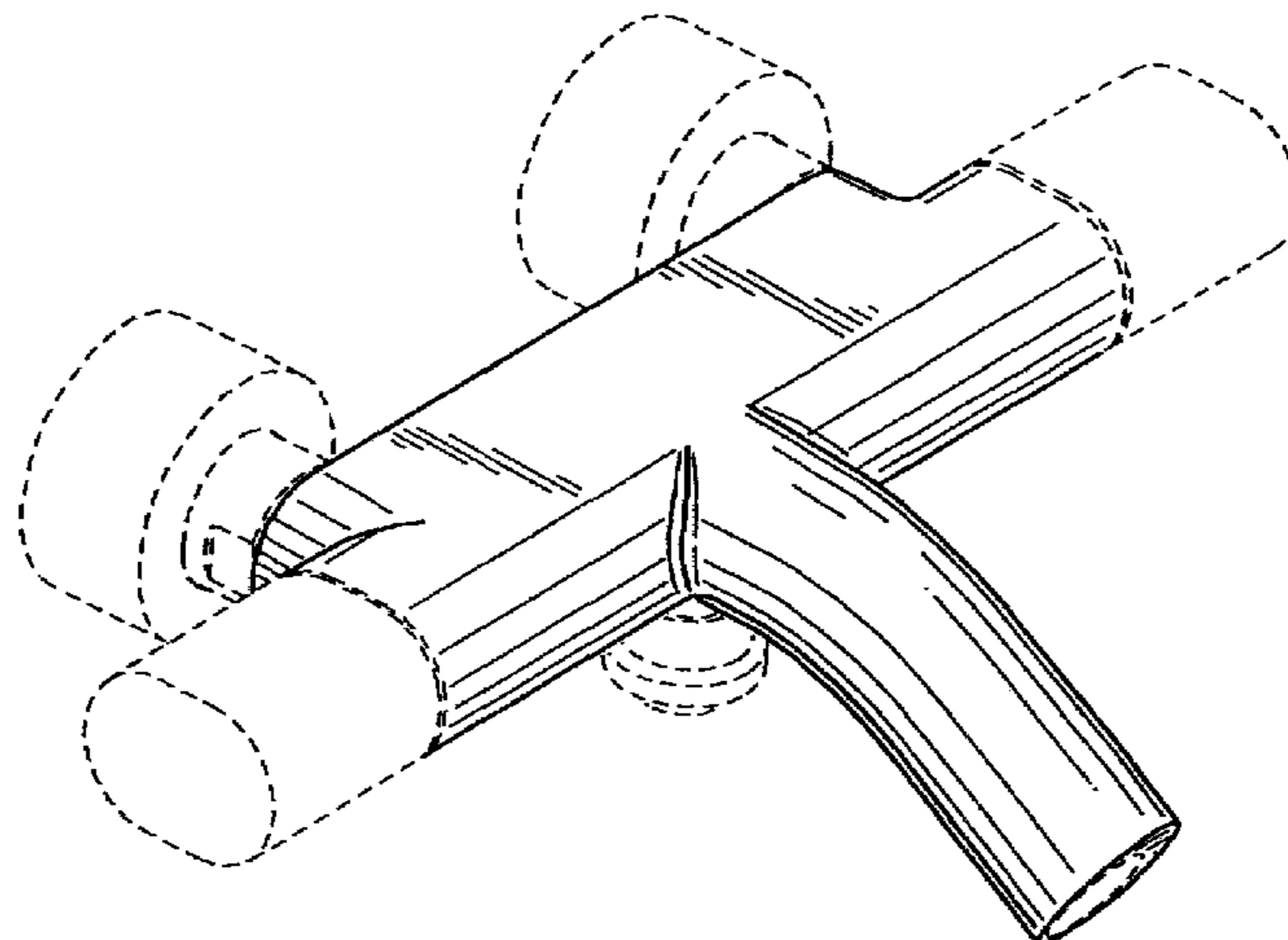
FIG. 7 is a left, top, front perspective view of a spout body according to another embodiment of my new design, the front and rear elevational views and the bottom plan view thereof being as shown in FIGS. 4, 6 and 5, respectively;

FIG. 8 is a top plan view thereof; and,

FIG. 9 is a left side elevational view thereof, the right side elevational view thereof being a mirror image of the left side shown.

The broken line representations in the figures, including broken line representations of spout openings, plumbing line structure and escutcheon and handle environment, are for the purpose of illustration only, and form no part of the claimed design.

1 Claim, 5 Drawing Sheets



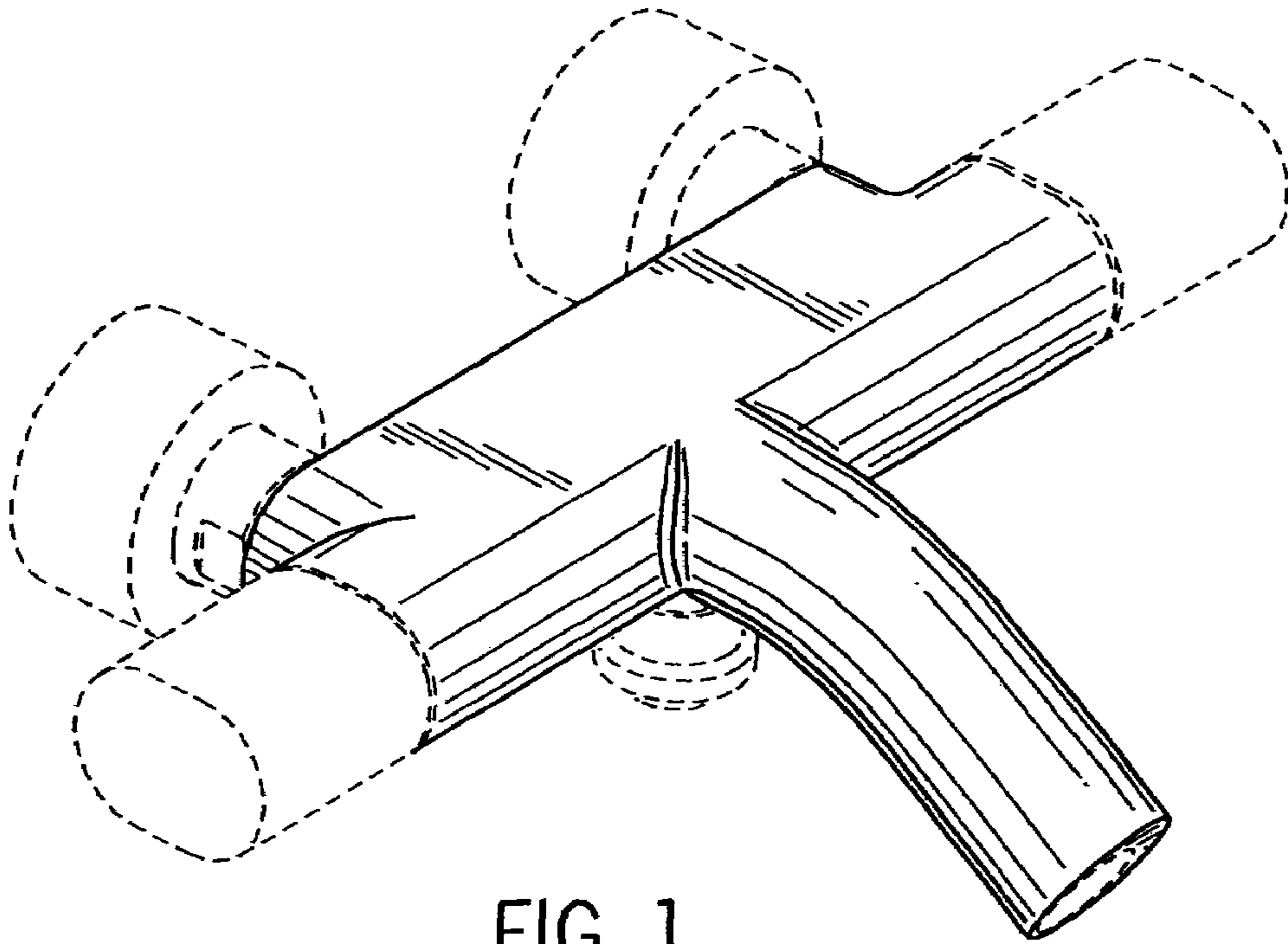


FIG. 1

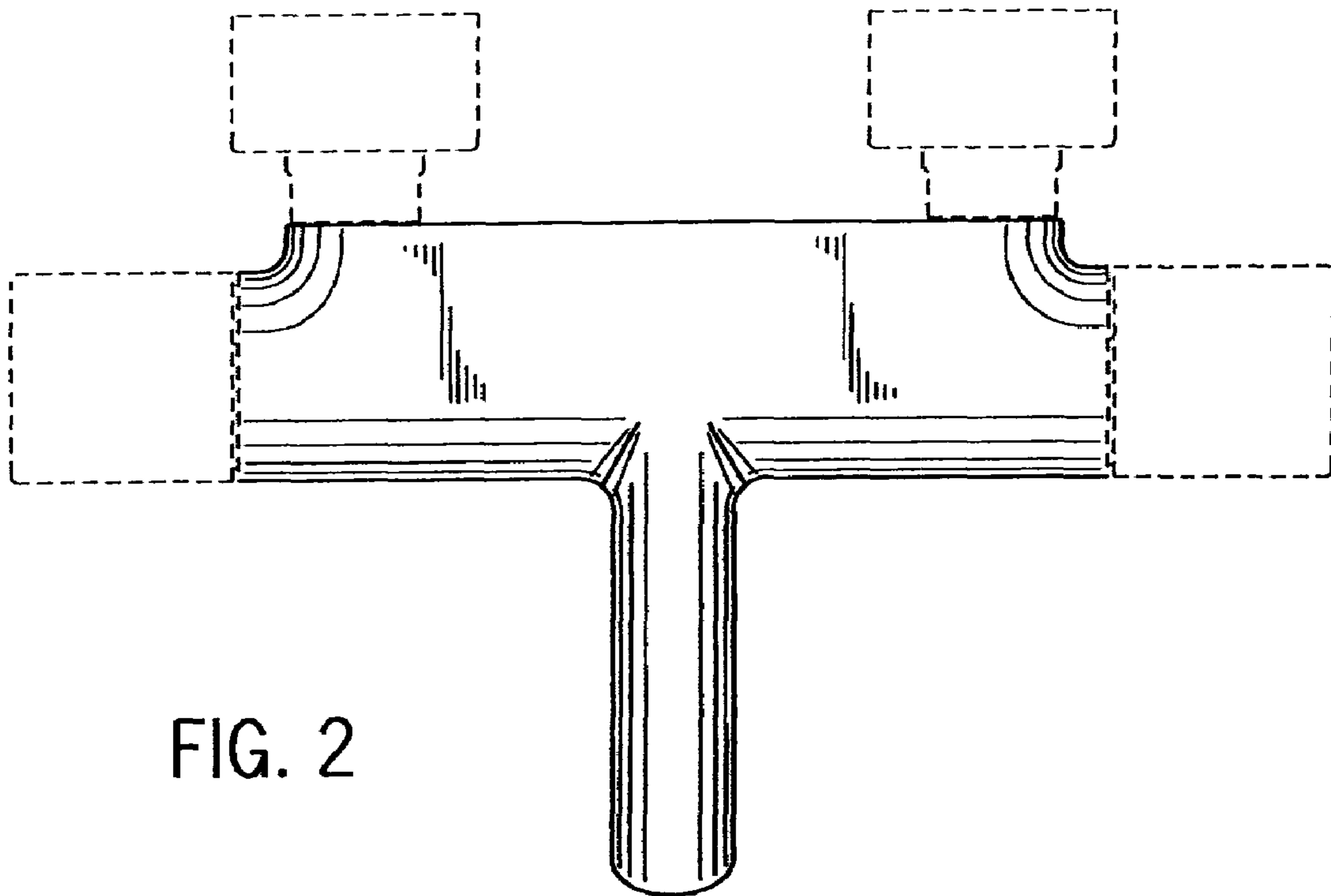


FIG. 2

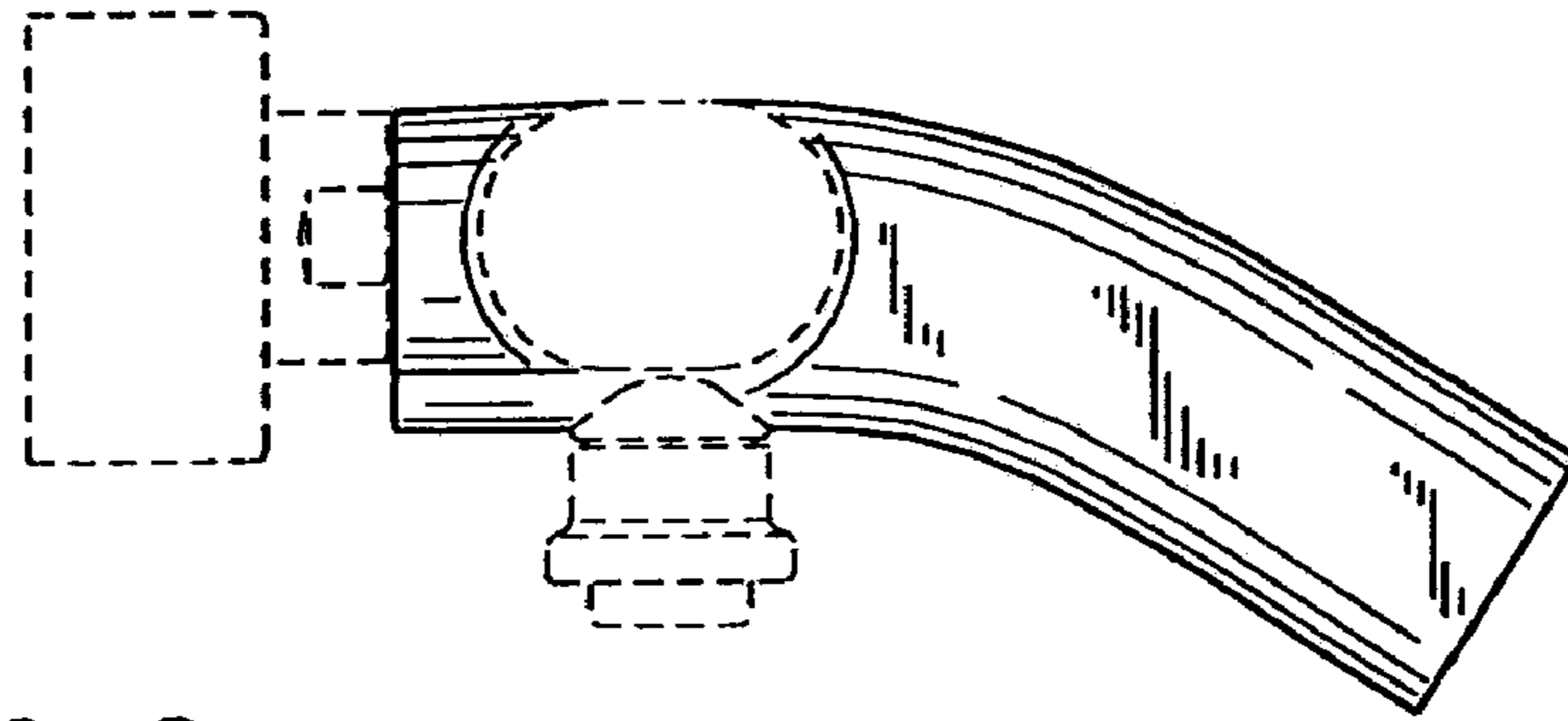


FIG. 3

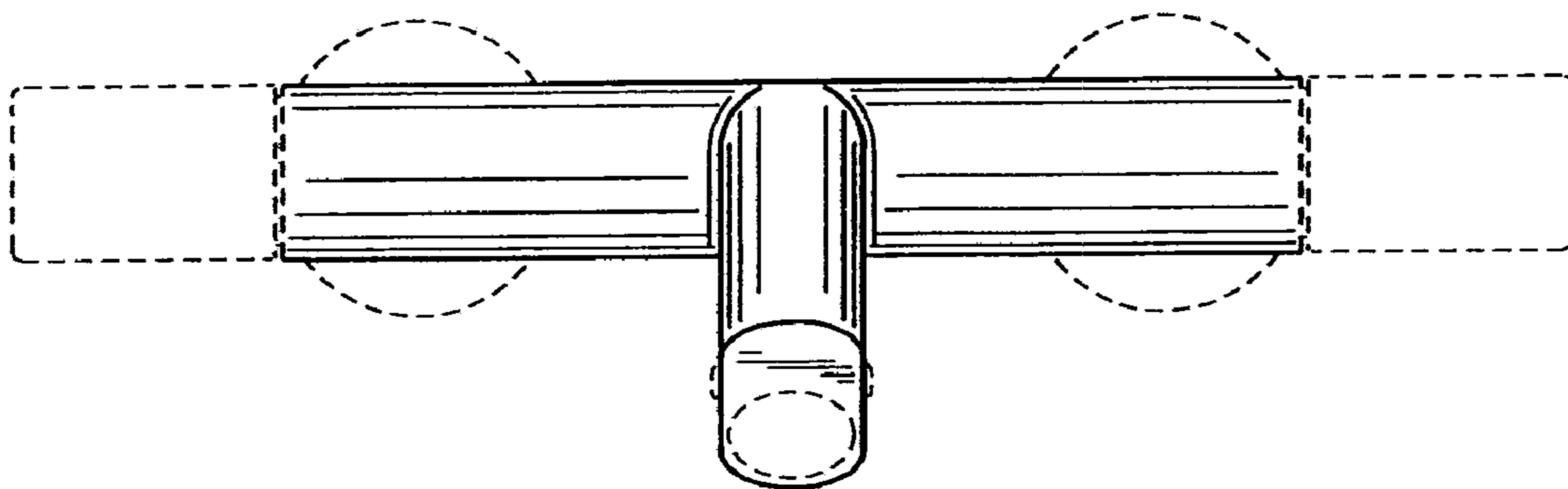


FIG. 4

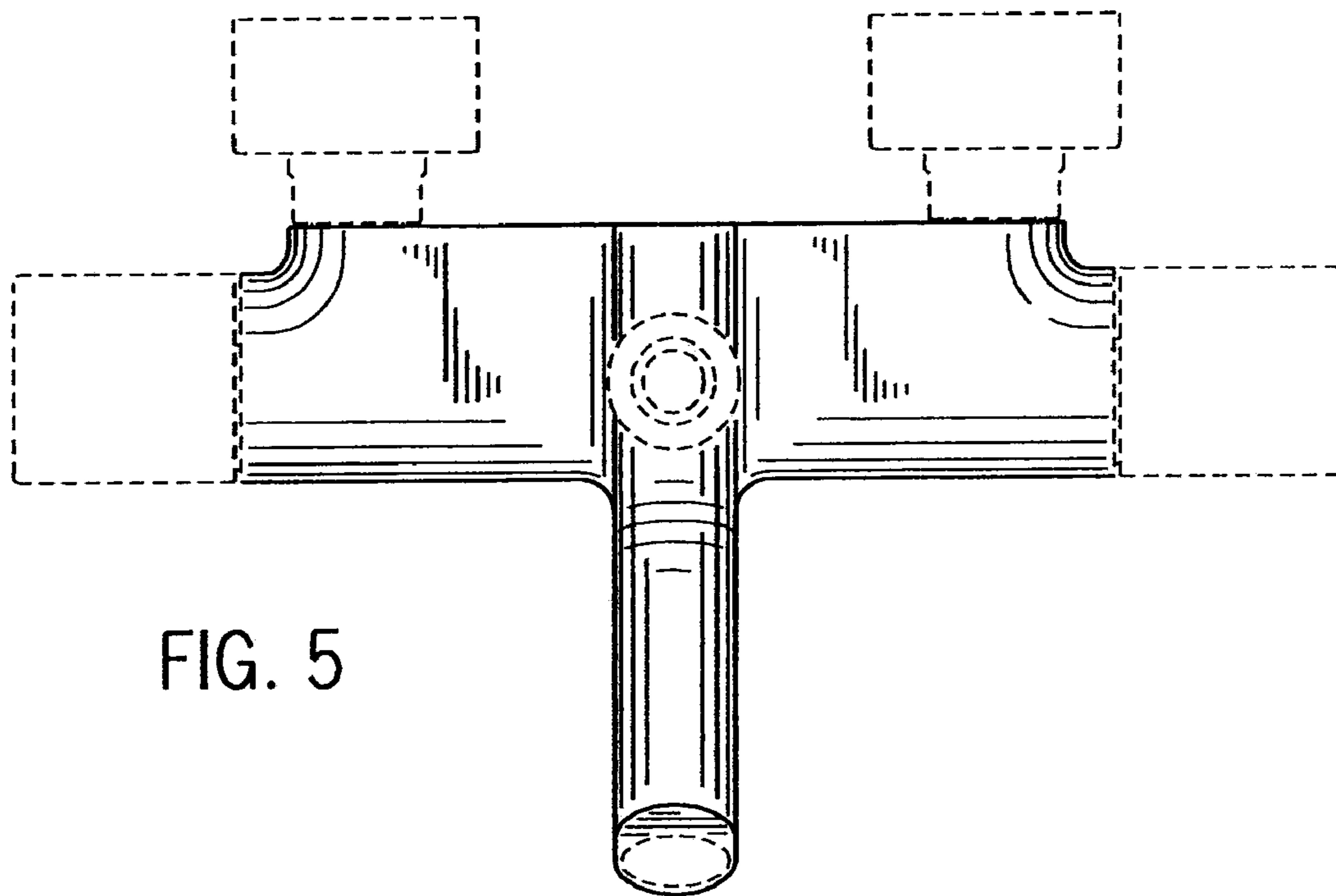


FIG. 5

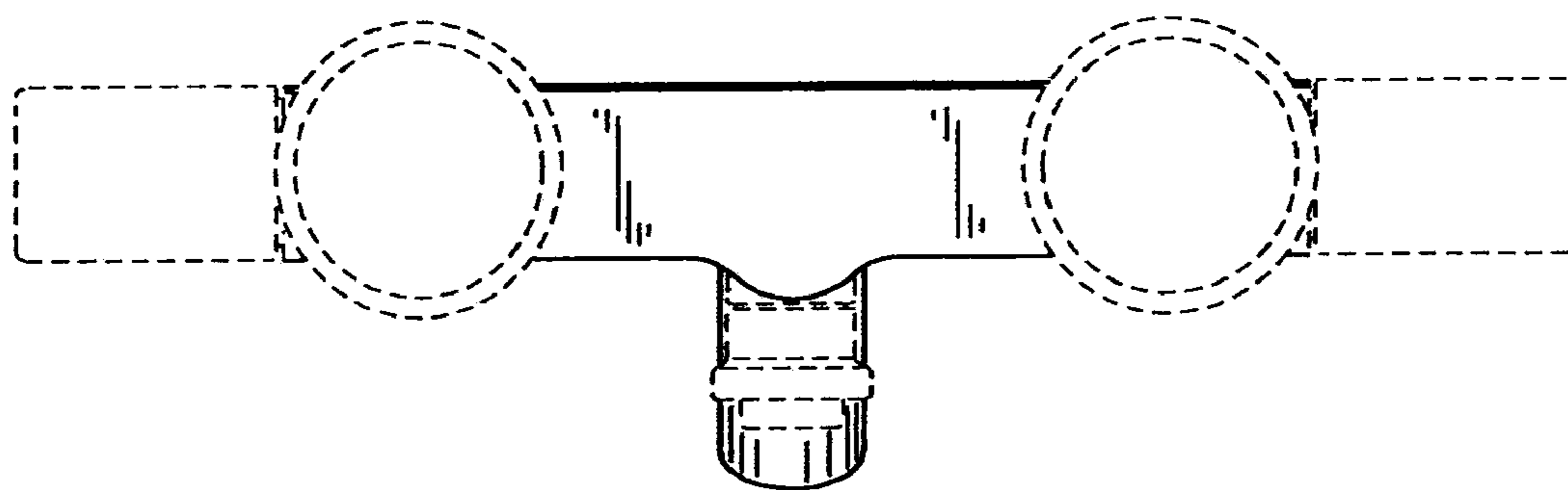


FIG. 6

FIG. 7

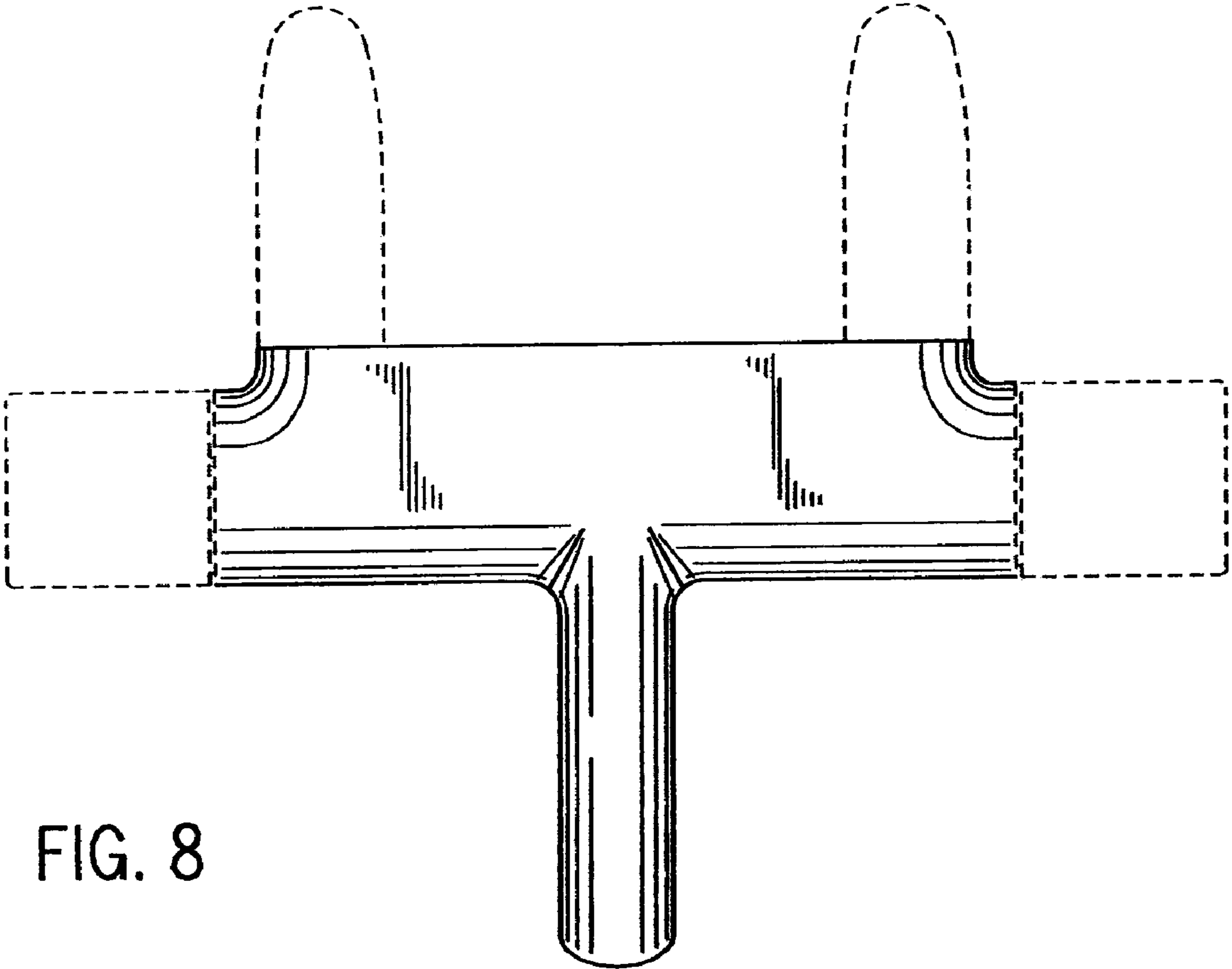
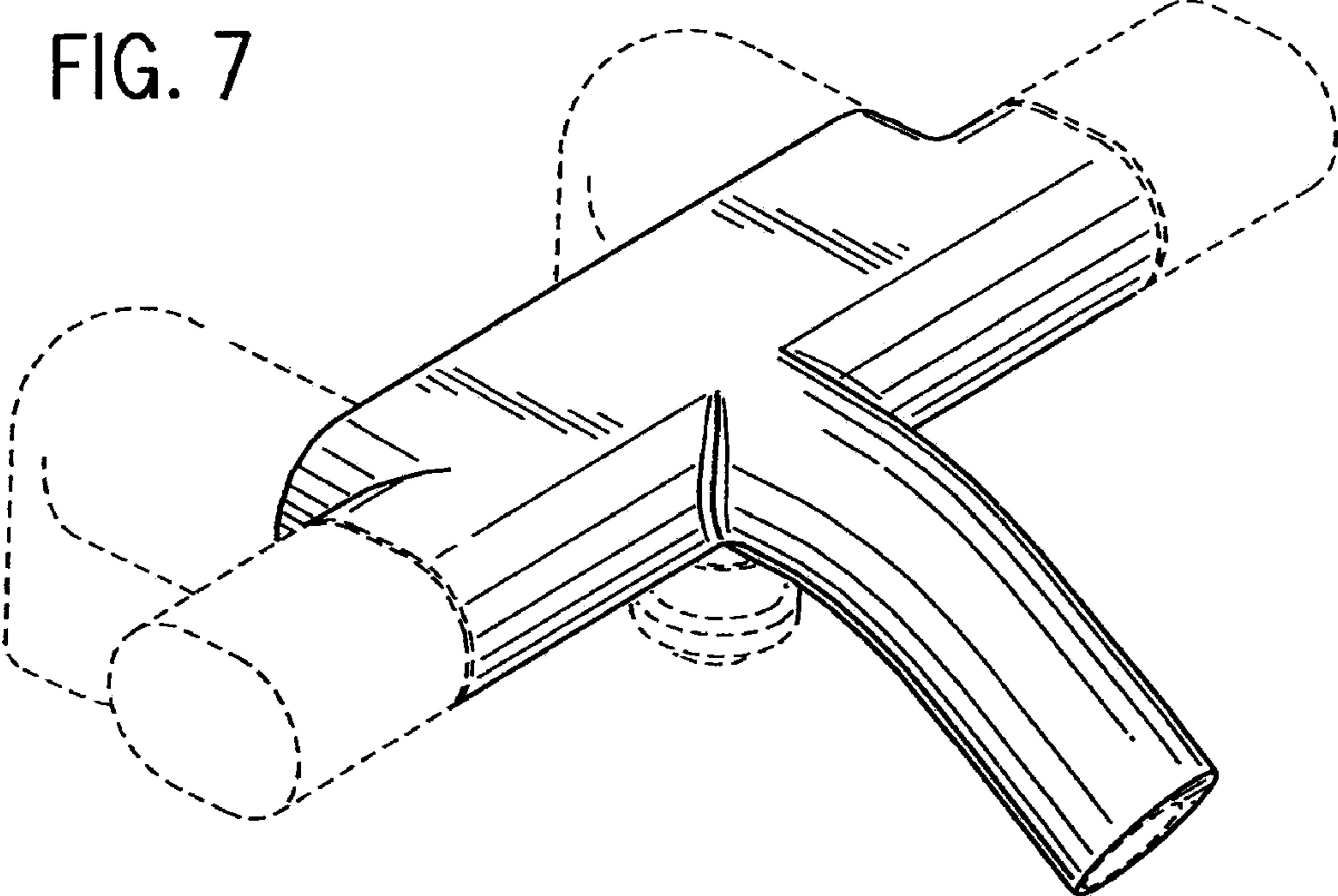


FIG. 8

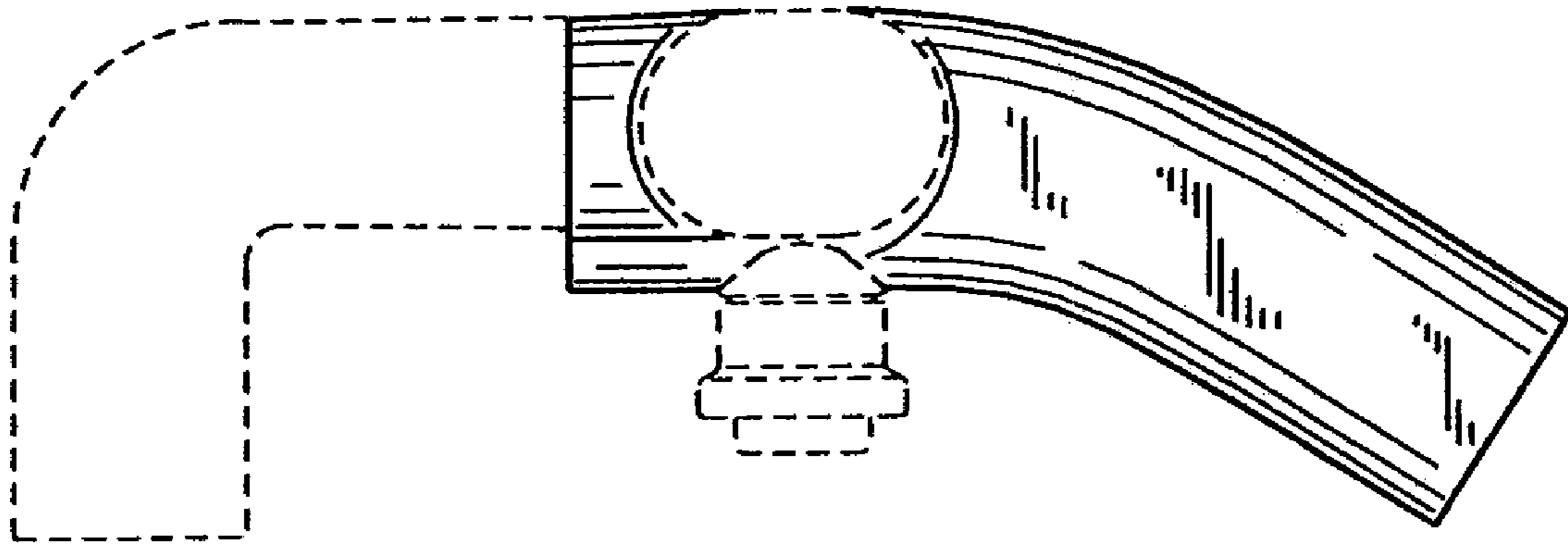


FIG. 9