



US00D590920S

(12) **United States Design Patent**
Eckhaus

(10) **Patent No.:** **US D590,920 S**

(45) **Date of Patent:** **** Apr. 21, 2009**

(54) **BRIDGE FAUCET**

(57) **CLAIM**

(76) **Inventor:** **Efraim Eckhaus**, 77 Tummel La., West Haven, CT (US) 06516

The ornamental design for a bridge faucet, as shown and described.

(**) **Term:** **14 Years**

DESCRIPTION

(21) **Appl. No.:** **29/323,415**

(22) **Filed:** **Aug. 26, 2008**

(51) **LOC (9) Cl.** **23-01**

(52) **U.S. Cl.** **D23/238**

(58) **Field of Classification Search** D23/200,
D23/238-257; 4/675-678; 137/801

See application file for complete search history.

FIG. 1 is a perspective view of a bridge faucet, showing my new design, the broken line showing of a cross handle and a spout shown for illustrative purposes only and forming no part of the claimed design;

FIG. 2 is a front elevation view thereof;

FIG. 3 is a side elevation view thereof;

FIG. 4 is a top plan view thereof;

FIG. 5 is another perspective view thereof, the broken line showing of a lever handle and a spout shown for illustrative purposes only and forming no part of the claimed design;

FIG. 6 is another front elevation view thereof;

FIG. 7 is another side elevation view thereof; and,

FIG. 8 is another top plan view thereof.

The broken line showing of a cross handle and a spout in FIGS. 1-4 are for illustrative purposes only and form no part of the claimed design.

The broken line showing of a lever handle and a spout in FIGS. 5-8 are for illustrative purposes only and form no part of the claimed design.

(56) **References Cited**

U.S. PATENT DOCUMENTS

D57,193 S *	3/1921	Mueller	D23/239
D149,386 S *	4/1948	Smolensky	D23/243
D492,391 S *	6/2004	Herbeau	D23/241
D507,330 S *	7/2005	Find et al.	D23/238
D511,815 S *	11/2005	Egee	D23/241
D512,485 S *	12/2005	Kulig	D23/241
D532,871 S *	11/2006	Berberet	D23/241
D569,485 S *	5/2008	Daunter et al.	D23/241

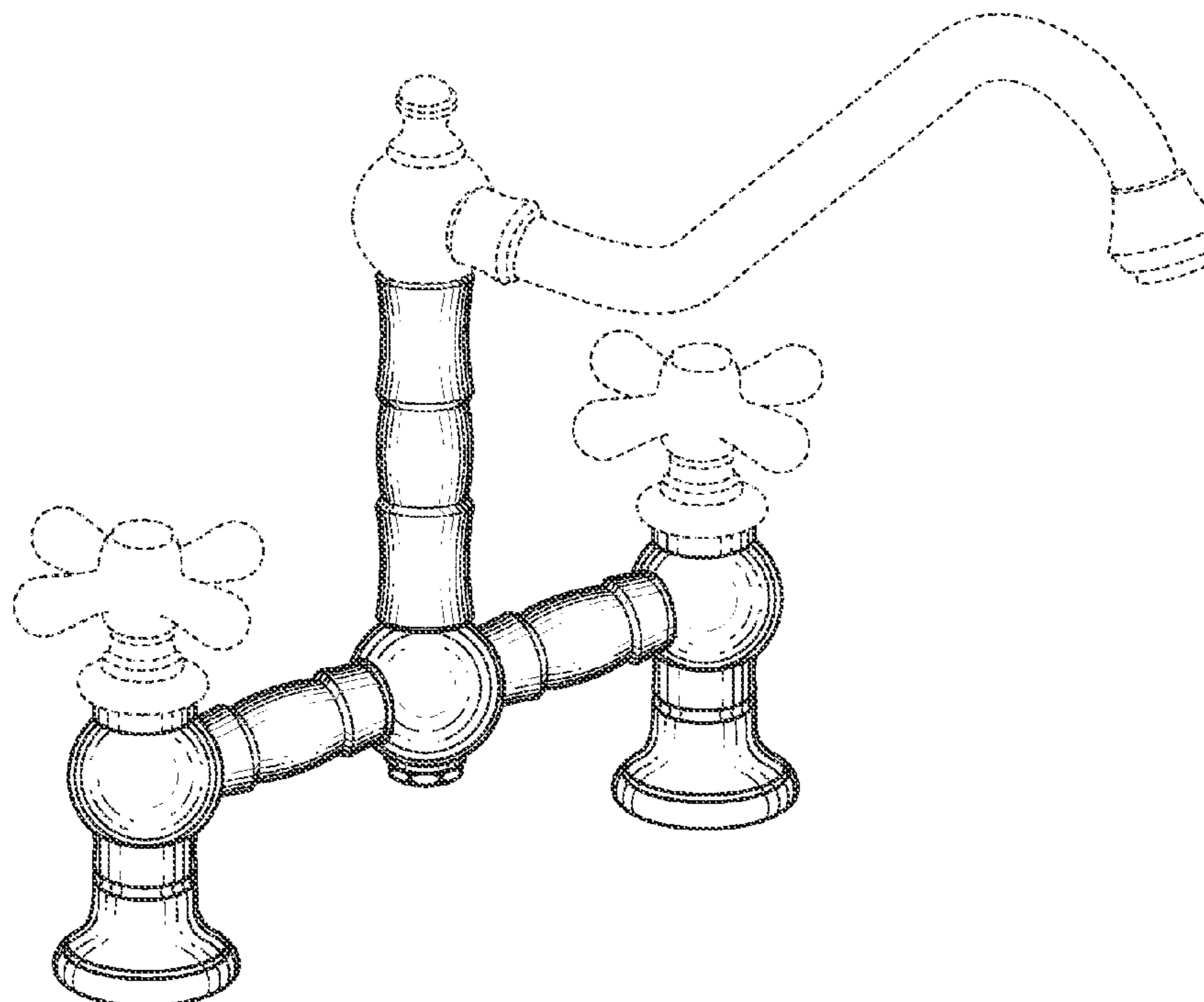
* cited by examiner

Primary Examiner—Robert A. Delehanty

Assistant Examiner—Mark Cavanna

(74) *Attorney, Agent, or Firm*—Harvey Lunenfeld

1 Claim, 8 Drawing Sheets



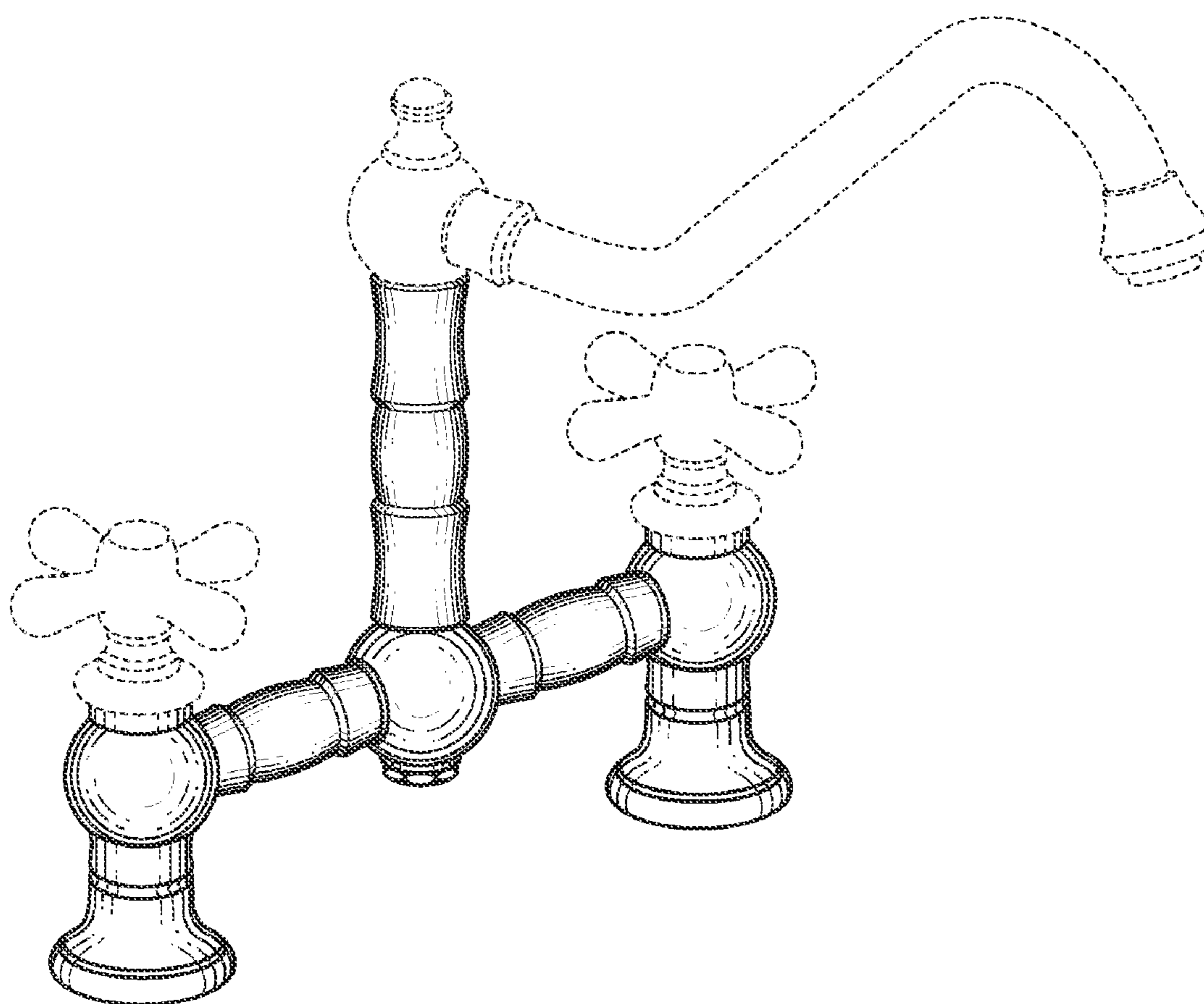


FIG. 1

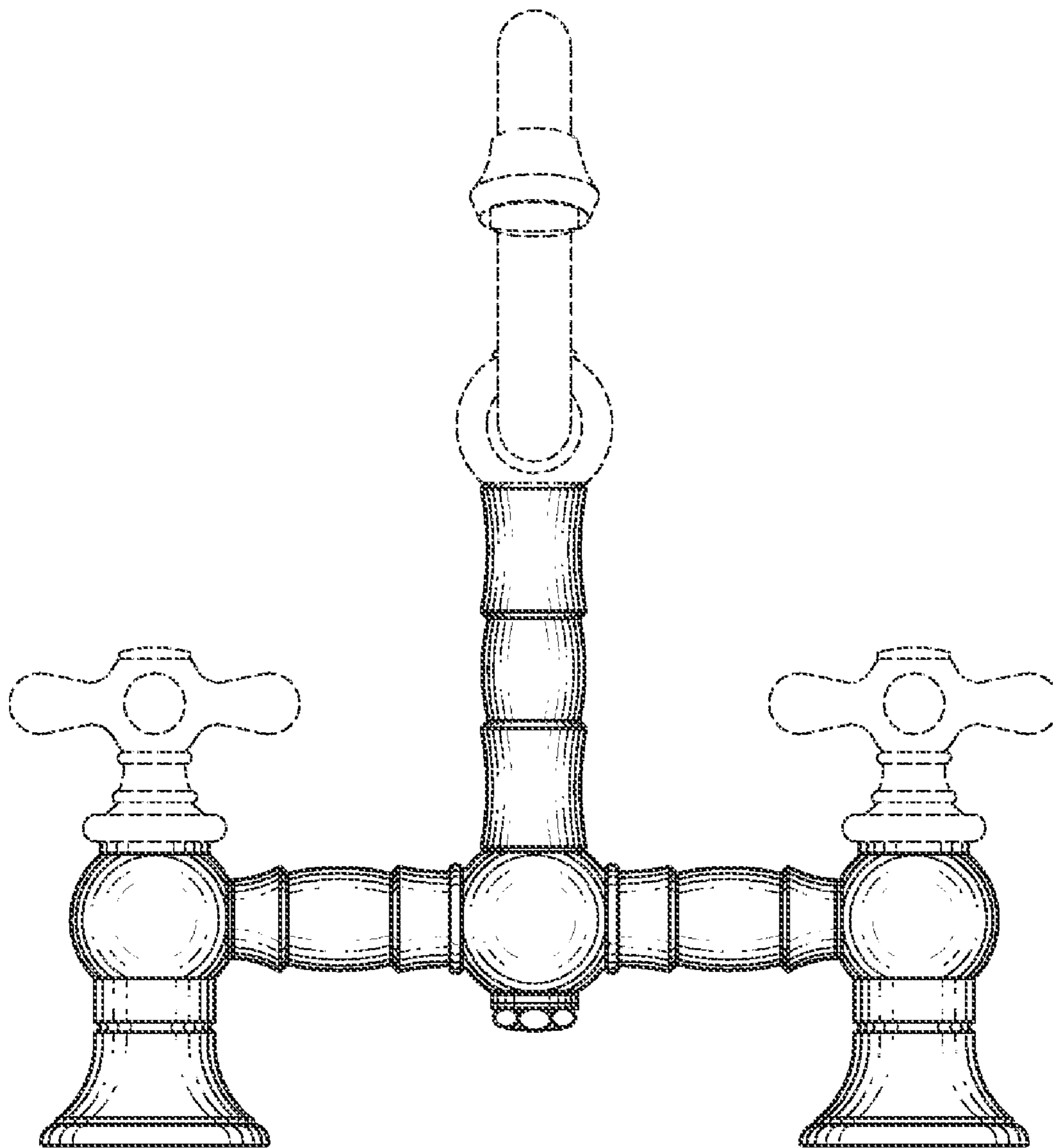


FIG. 2

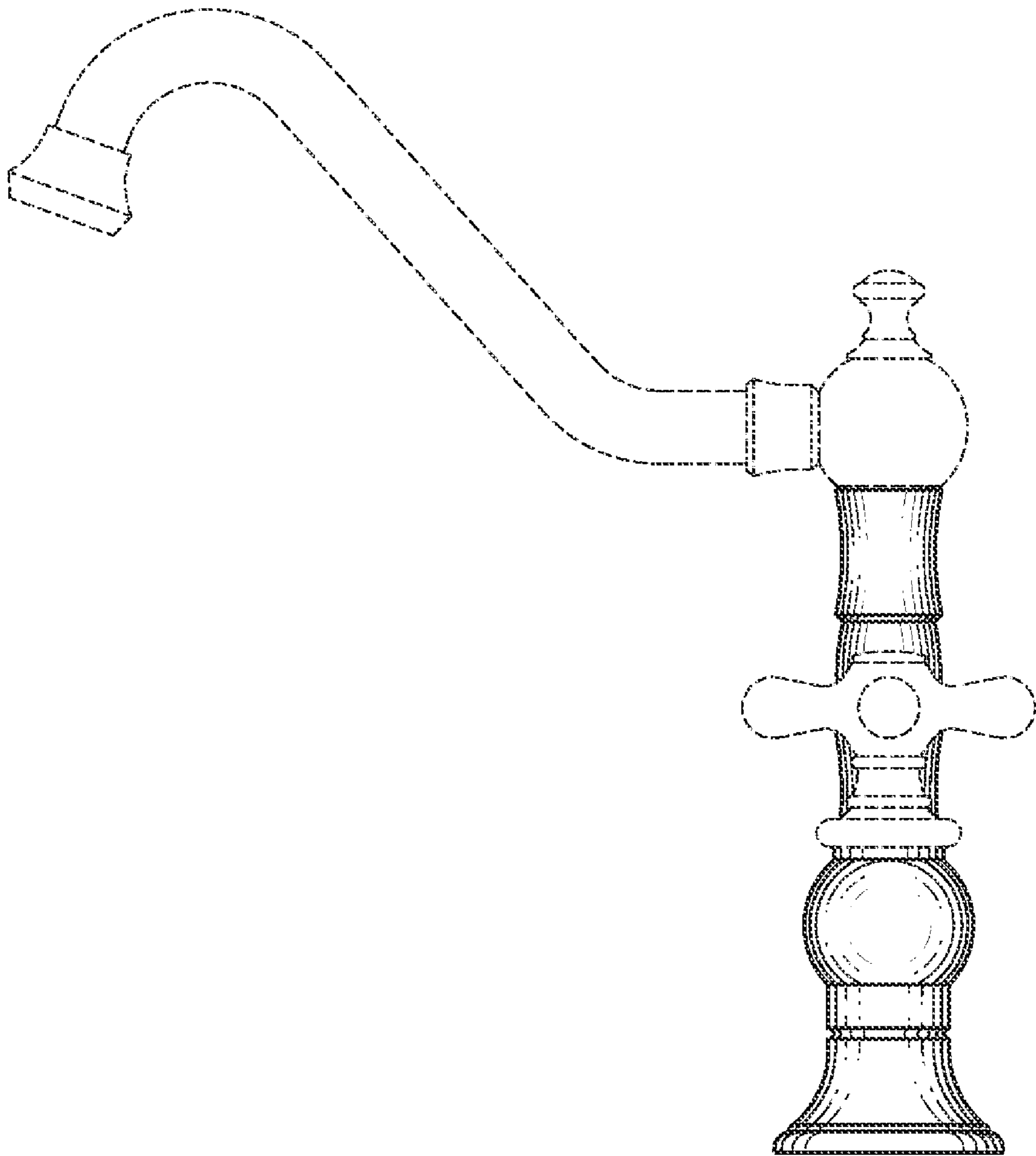


FIG. 3

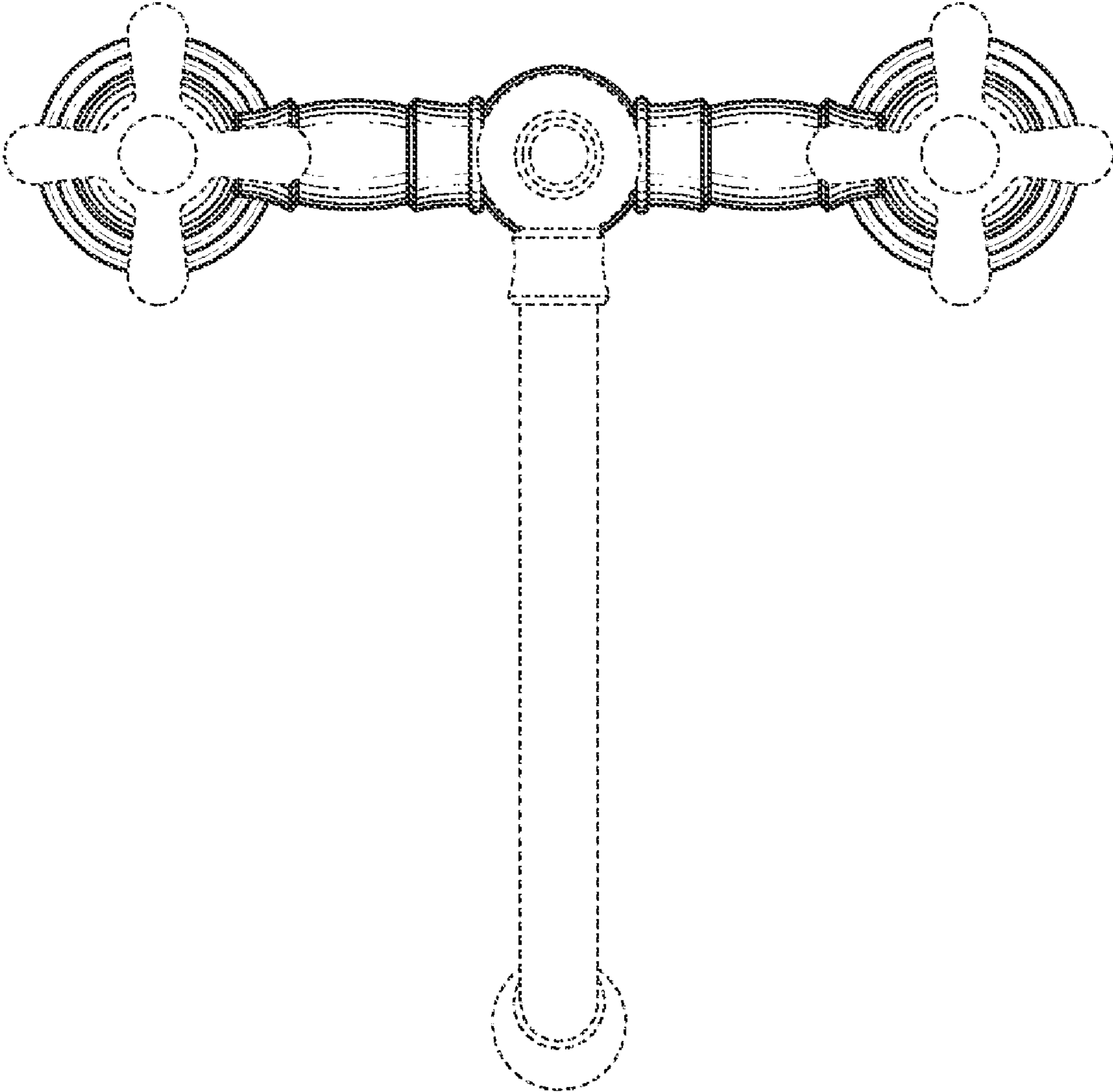


FIG. 4

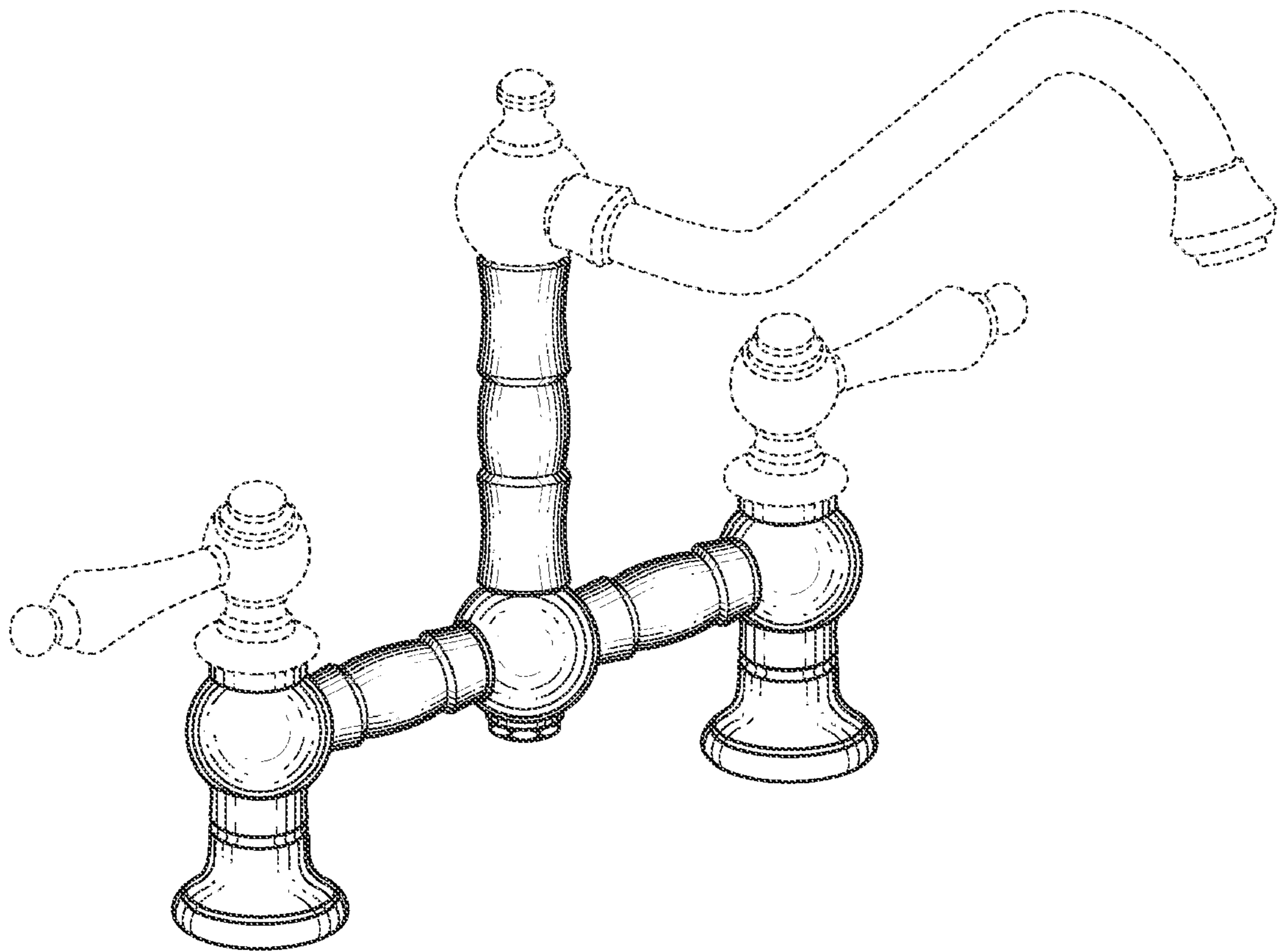


FIG. 5

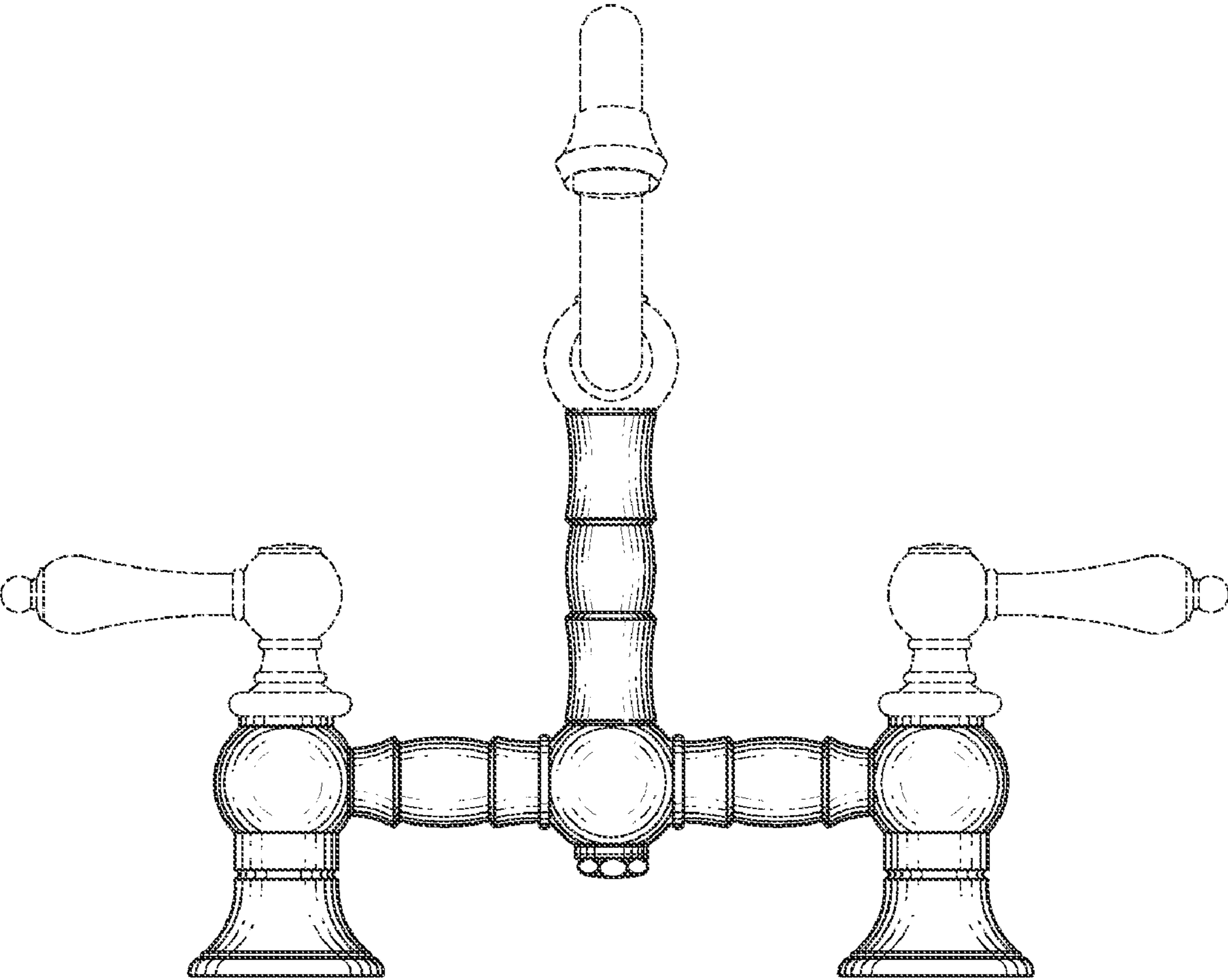


FIG. 6

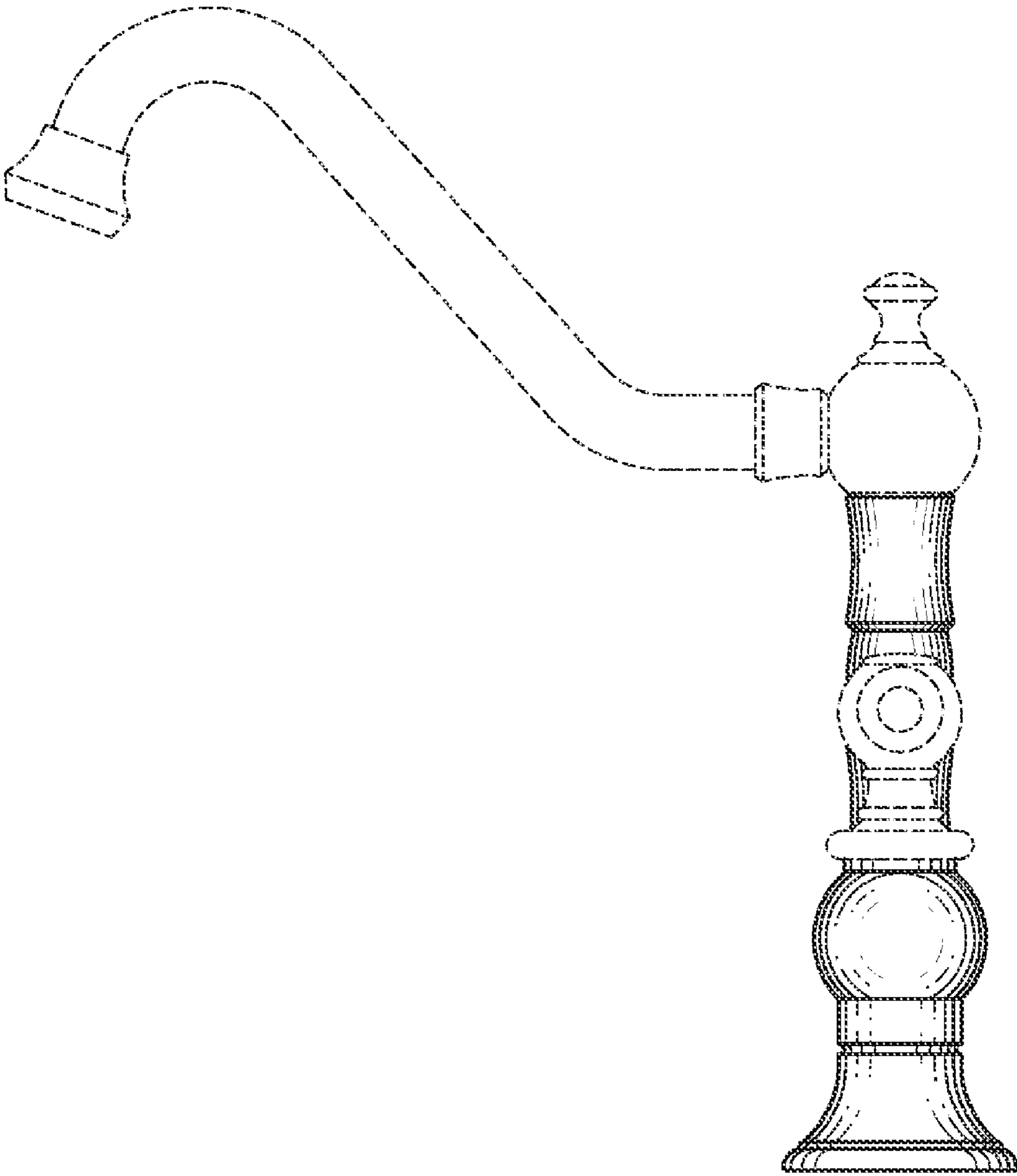


FIG. 7

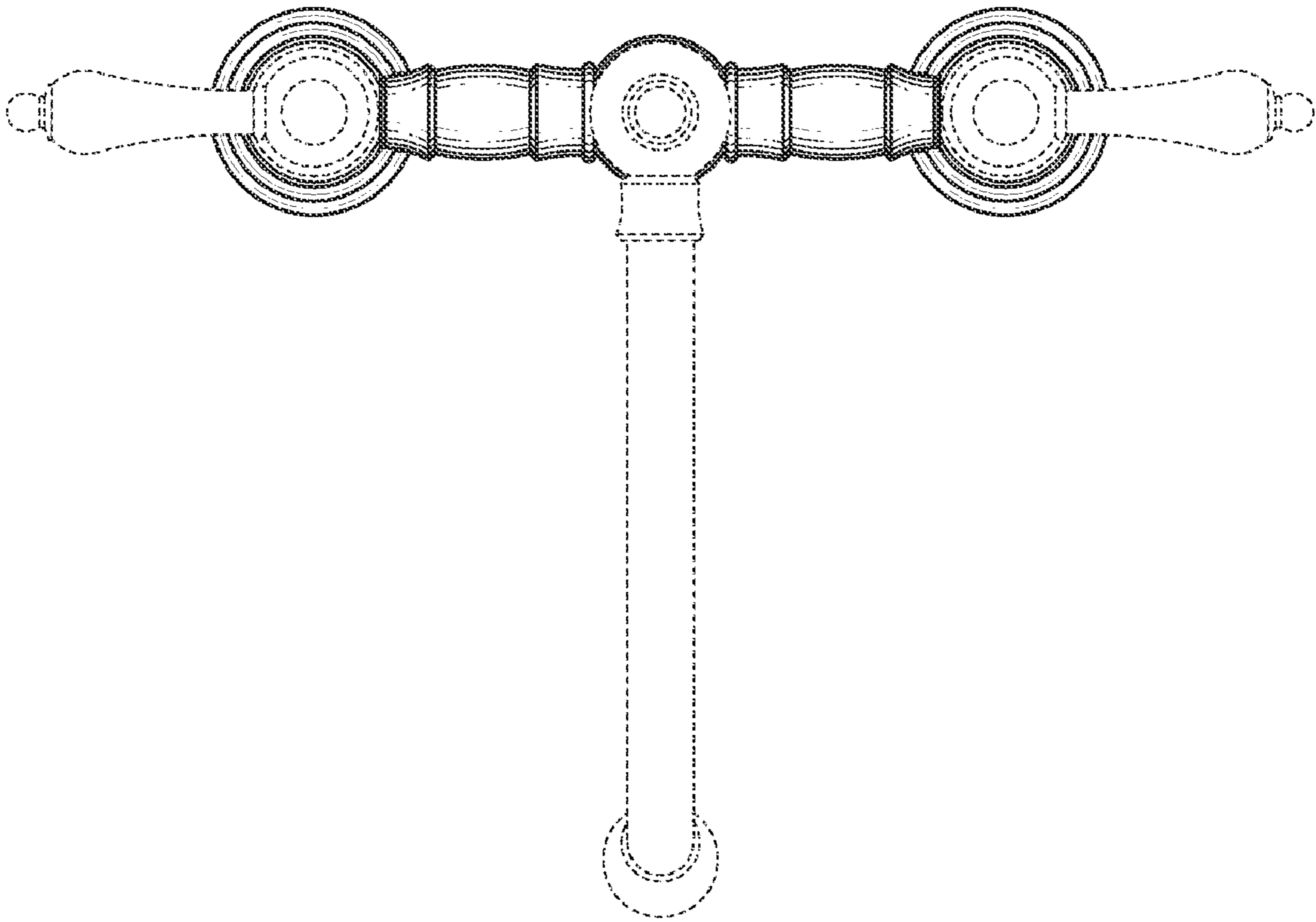


FIG. 8