



US00D590915S

(12) **United States Design Patent**
Saxon et al.

(10) **Patent No.:** **US D590,915 S**

(45) **Date of Patent:** **** Apr. 21, 2009**

(54) **SQUARED BOAT SHOWER FOR ATTACHMENT TO OPTION BRACKETS**

(76) Inventors: **Thomas Jason Saxon**, 14109 N. Bayshore Blvd., Madeira Beach, FL (US) 33708; **Holly Holleman Saxon**, 14109 N. Bayshore Blvd., Madeira Beach, FL (US) 33708

(**) Term: **14 Years**

(21) Appl. No.: **29/325,206**

(22) Filed: **Sep. 26, 2008**

(51) **LOC (9) Cl.** **23-01**

(52) **U.S. Cl.** **D23/213**

(58) **Field of Classification Search** D23/213, D23/223, 229-230; 239/282-283, 460, 462
See application file for complete search history.

(56) **References Cited**

U.S. PATENT DOCUMENTS

D334,046 S *	3/1993	Klose	D23/213
D469,847 S *	2/2003	Schroeder et al.	D23/213
D499,463 S *	12/2004	Mather	D23/213

* cited by examiner

Primary Examiner—Robin V Webster
(74) *Attorney, Agent, or Firm*—Frank Liebenow; Larson & Larson, P.A.

(57) **CLAIM**

The ornamental design for a squared boat shower head for attachment to option brackets, as shown and described.

DESCRIPTION

FIG. 1 is a left elevation view of the squared boat shower head for attachment to option brackets showing our novel design; FIG. 2 is a right elevation view thereof; FIG. 3 is a top plan view thereof; FIG. 4 is a bottom plan view thereof; FIG. 5 is a front elevation view thereof; FIG. 6 is a rear elevation view thereof; and, FIG. 7 is a perspective view of our novel design thereof.

The broken lines showing in FIG. 7 are for illustrative purposes only and form no part of the claimed design.

1 Claim, 4 Drawing Sheets

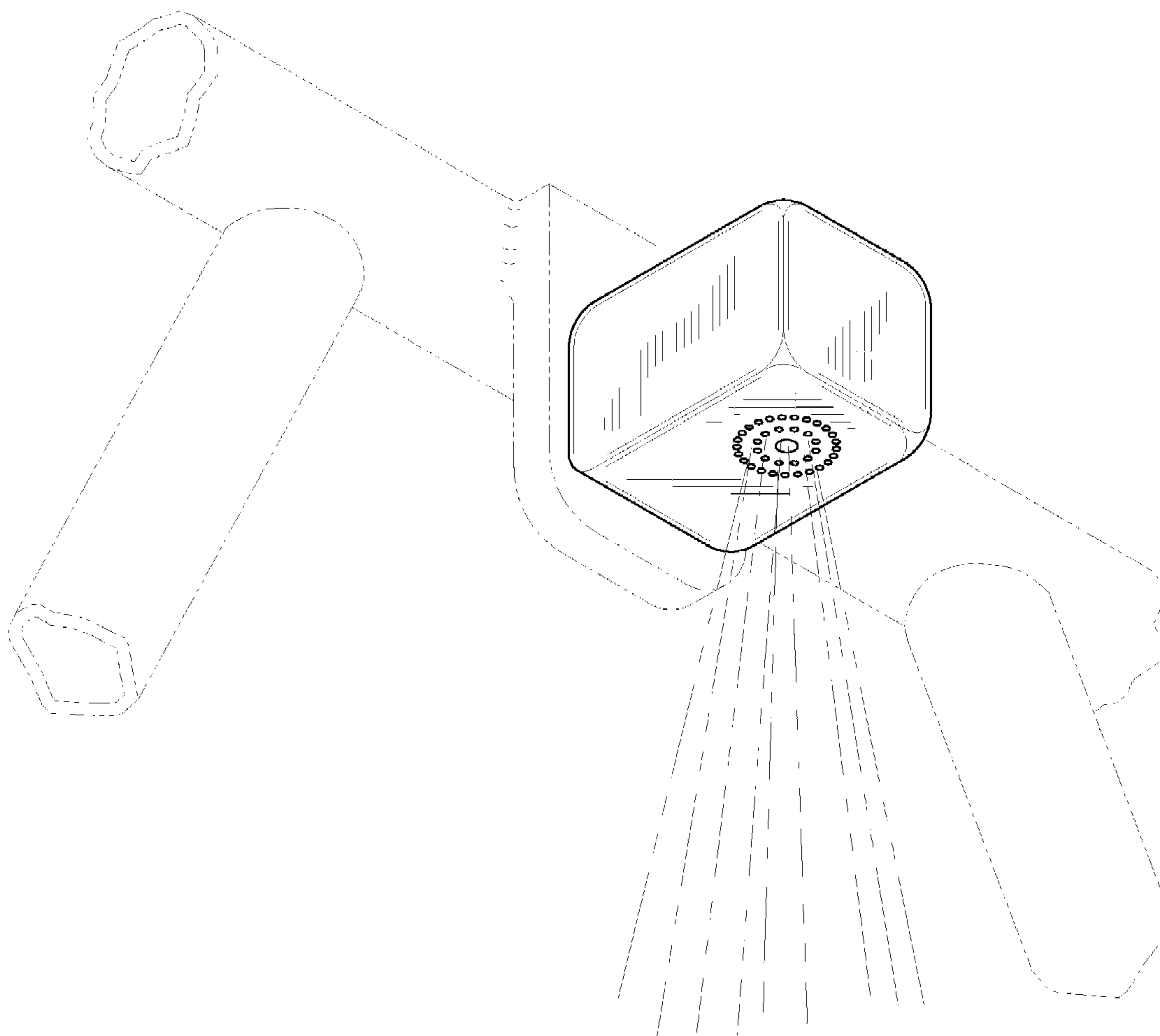


FIG. 1

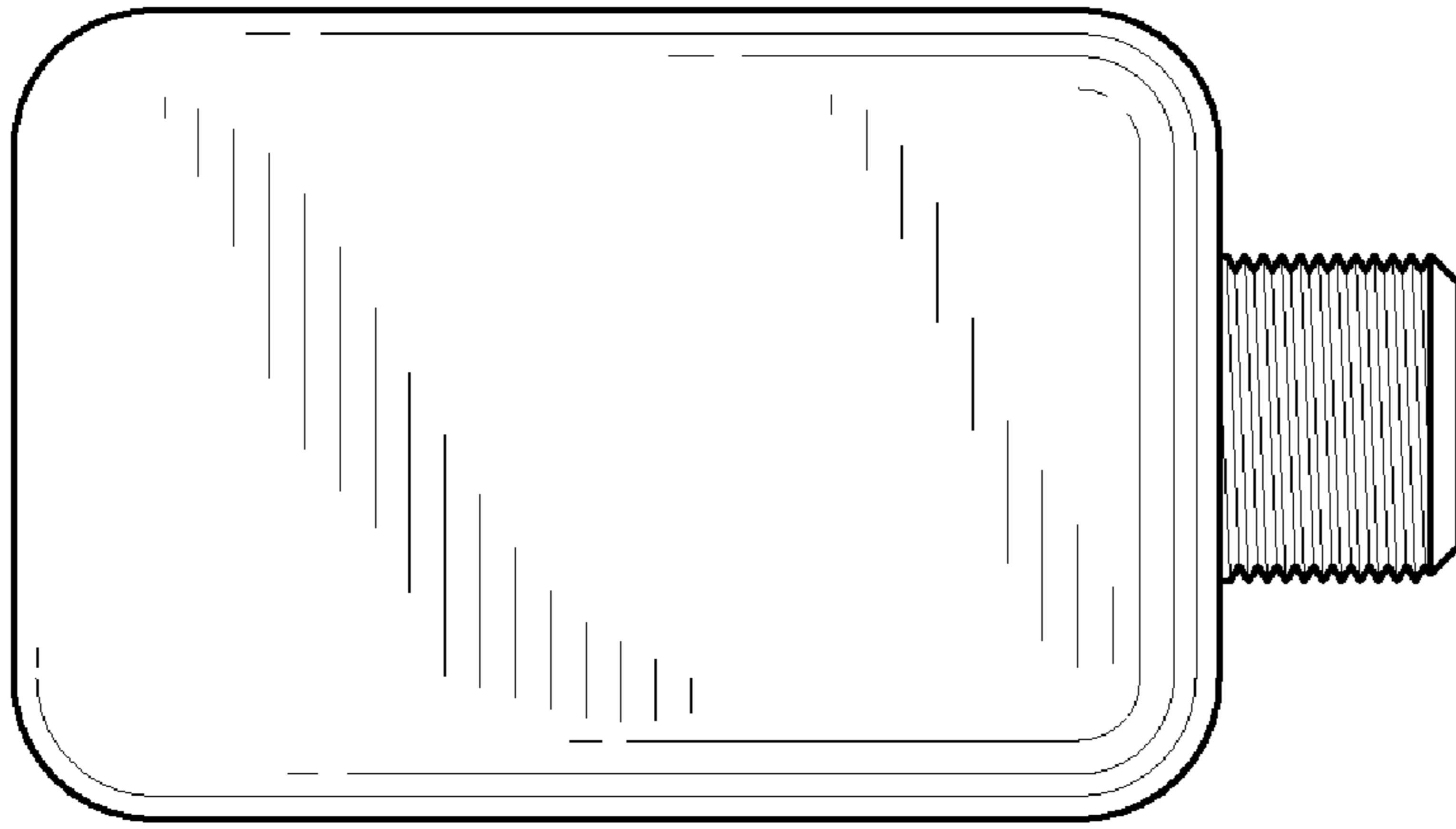


FIG. 2

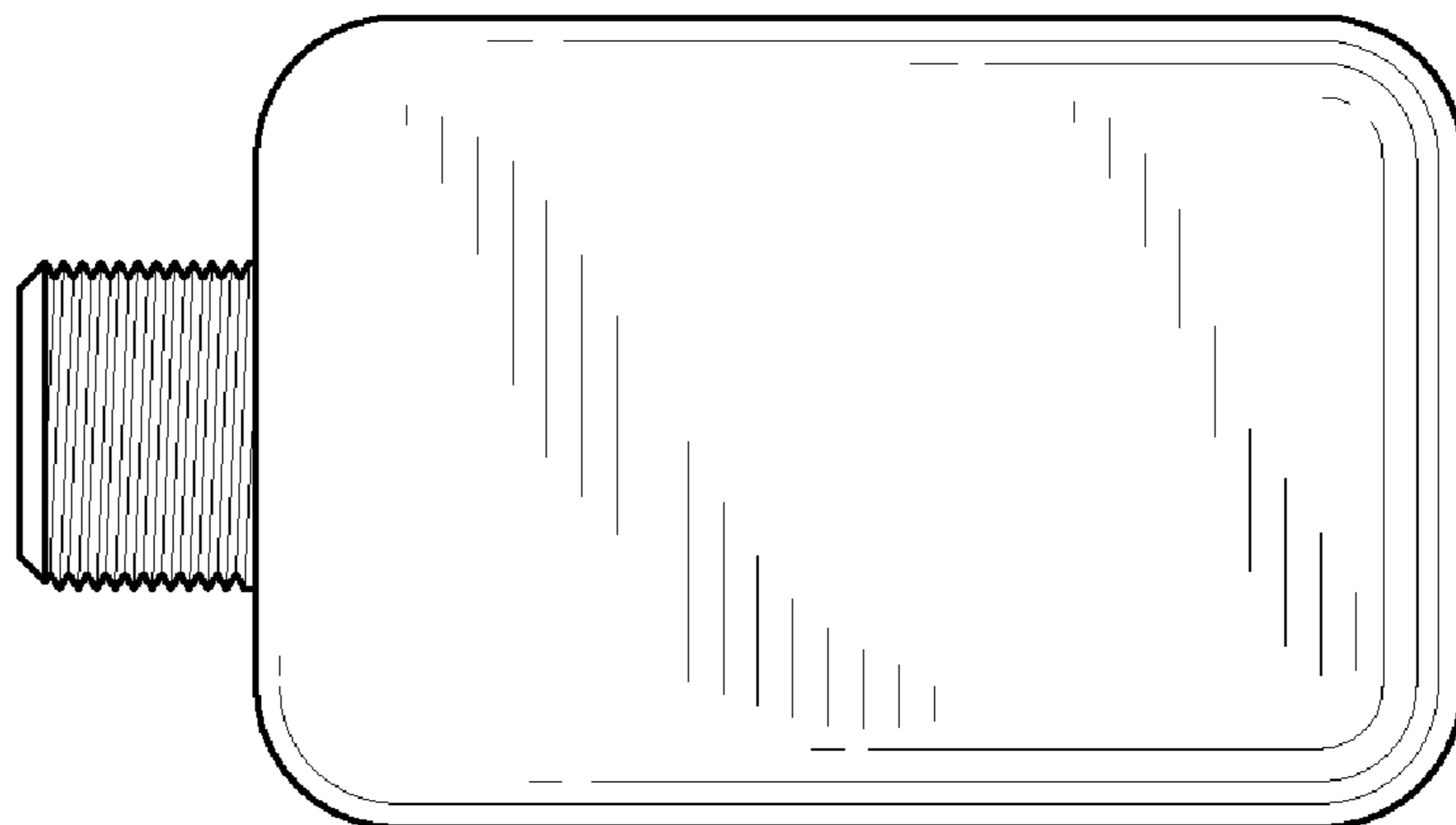


FIG. 3

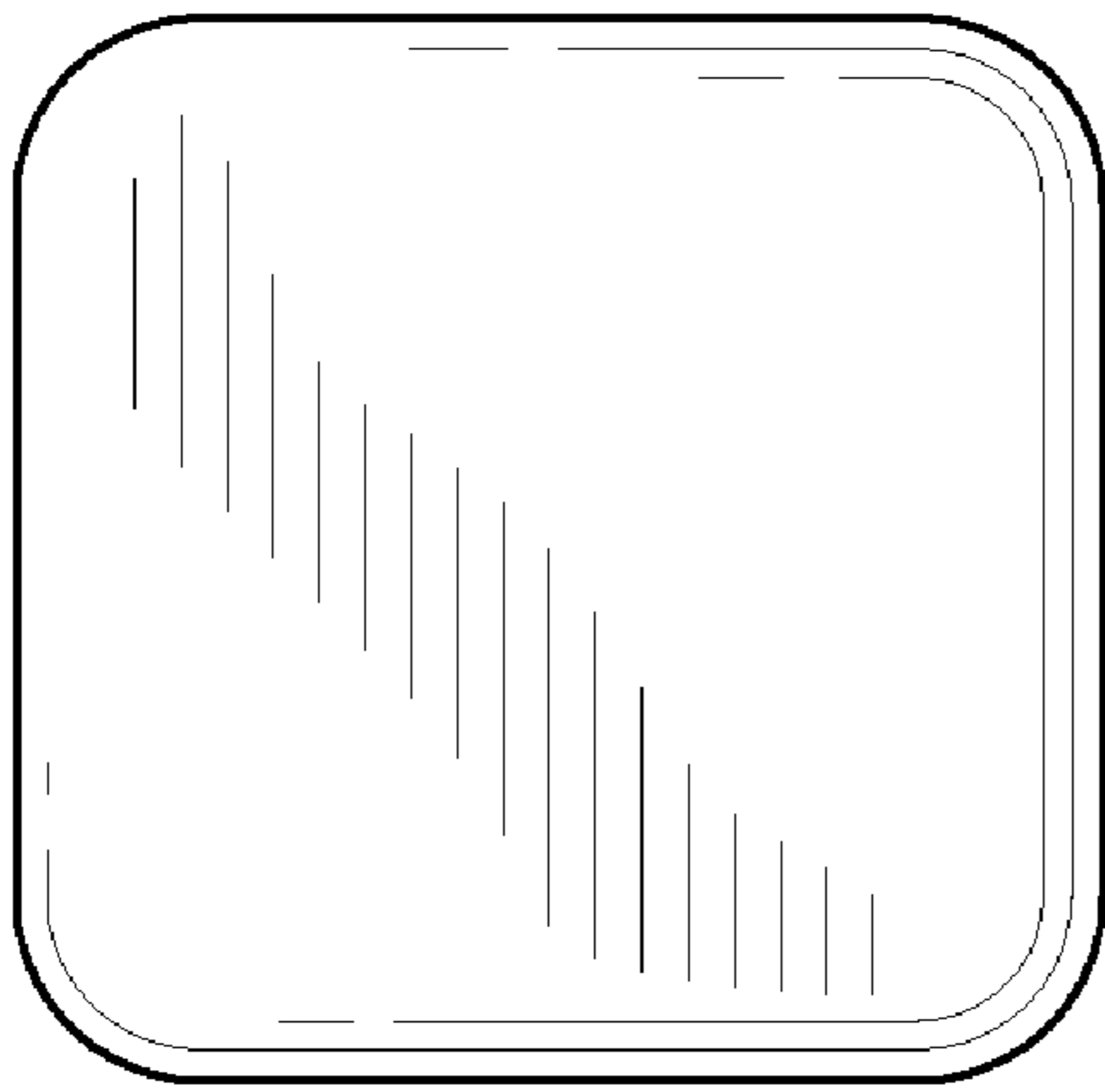


FIG. 4

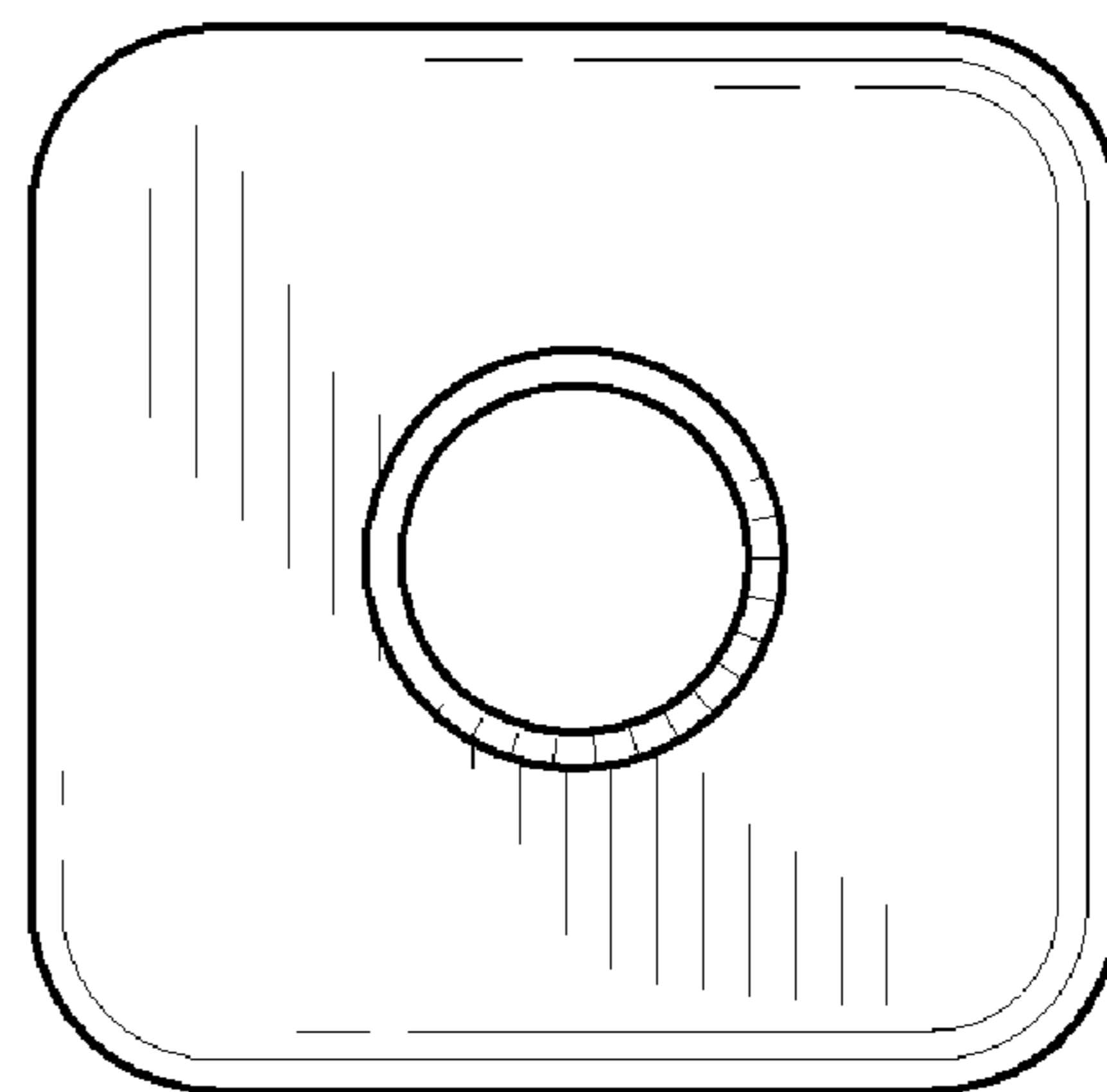


FIG. 5

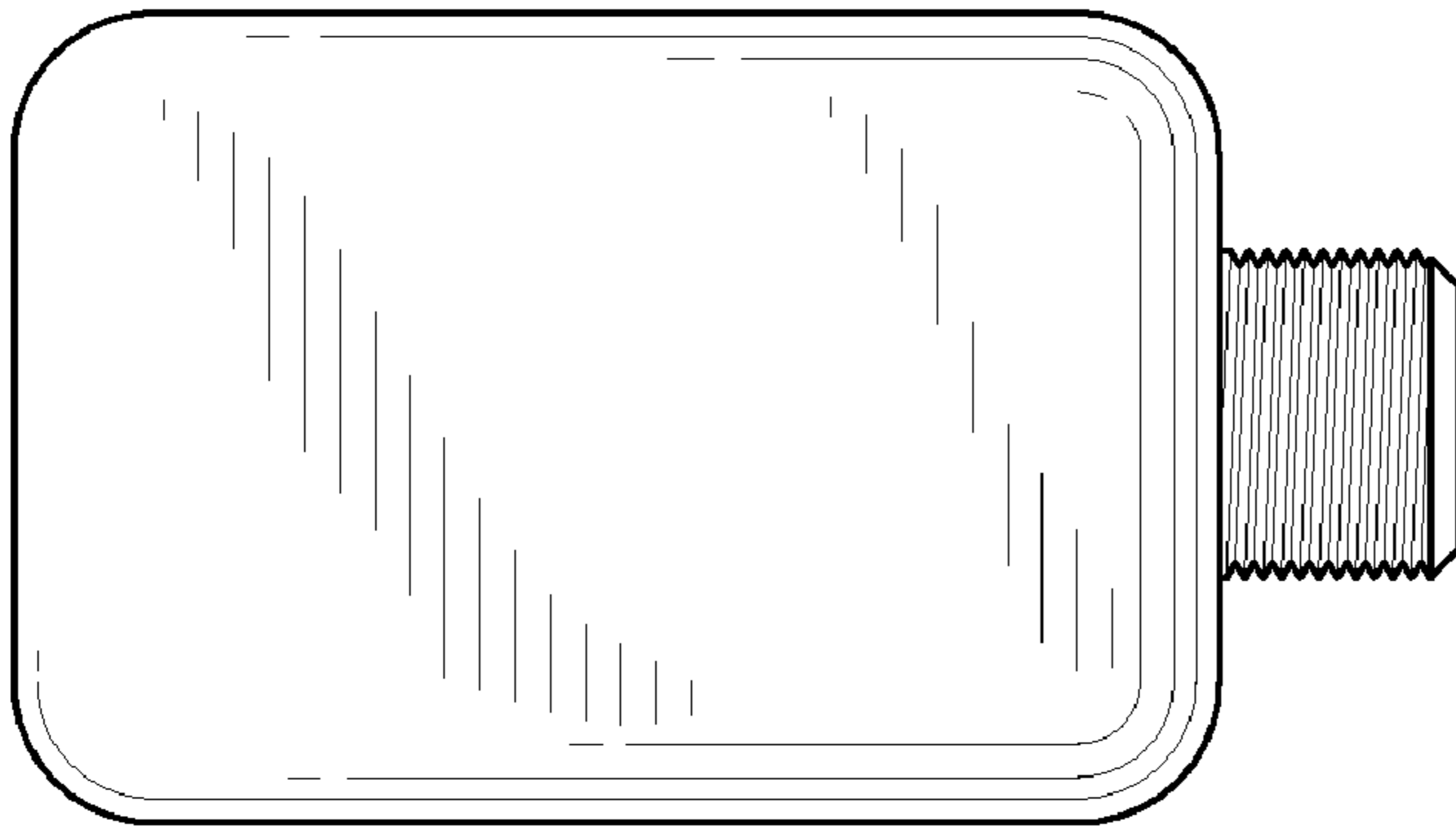
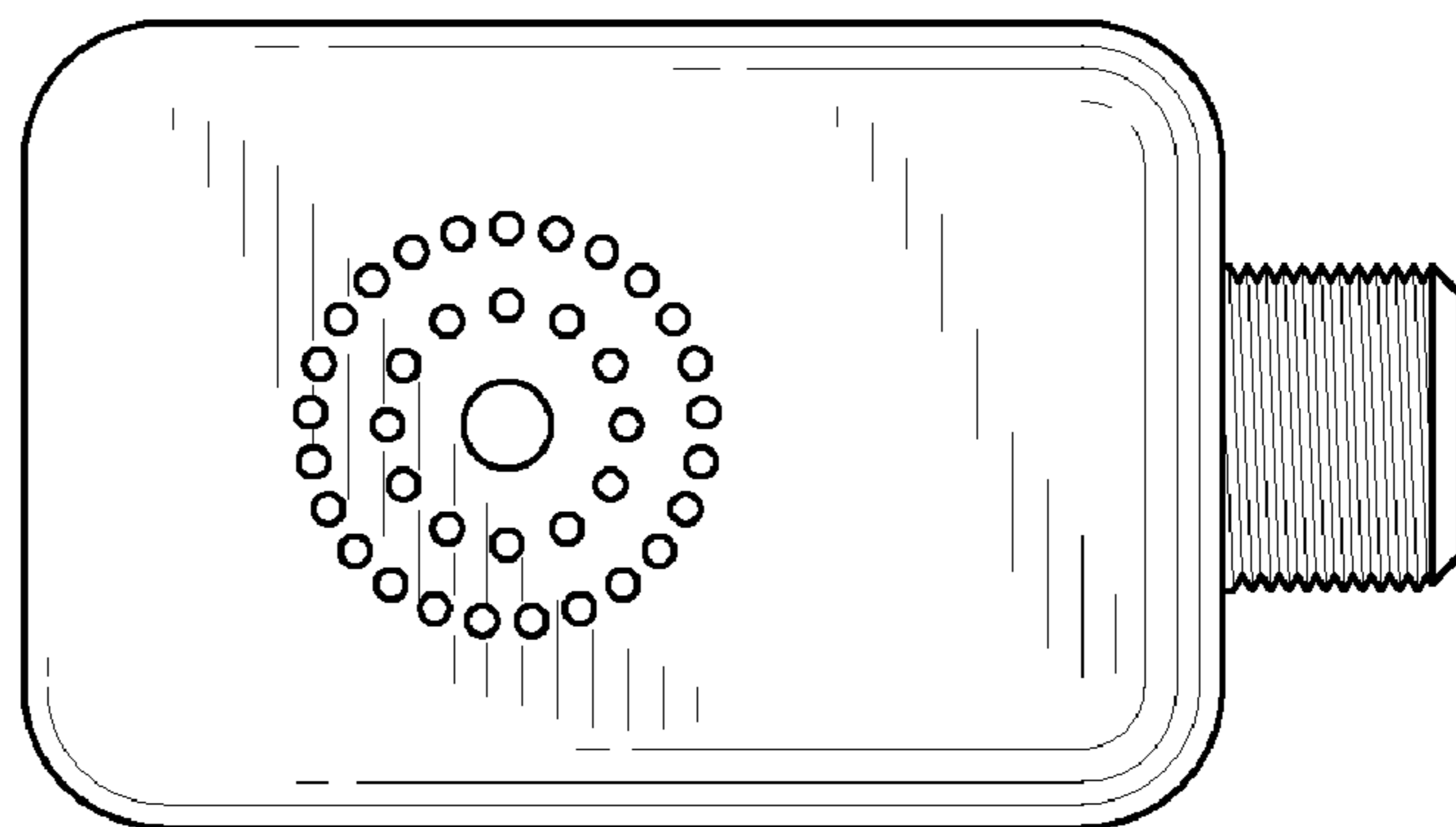


FIG. 6



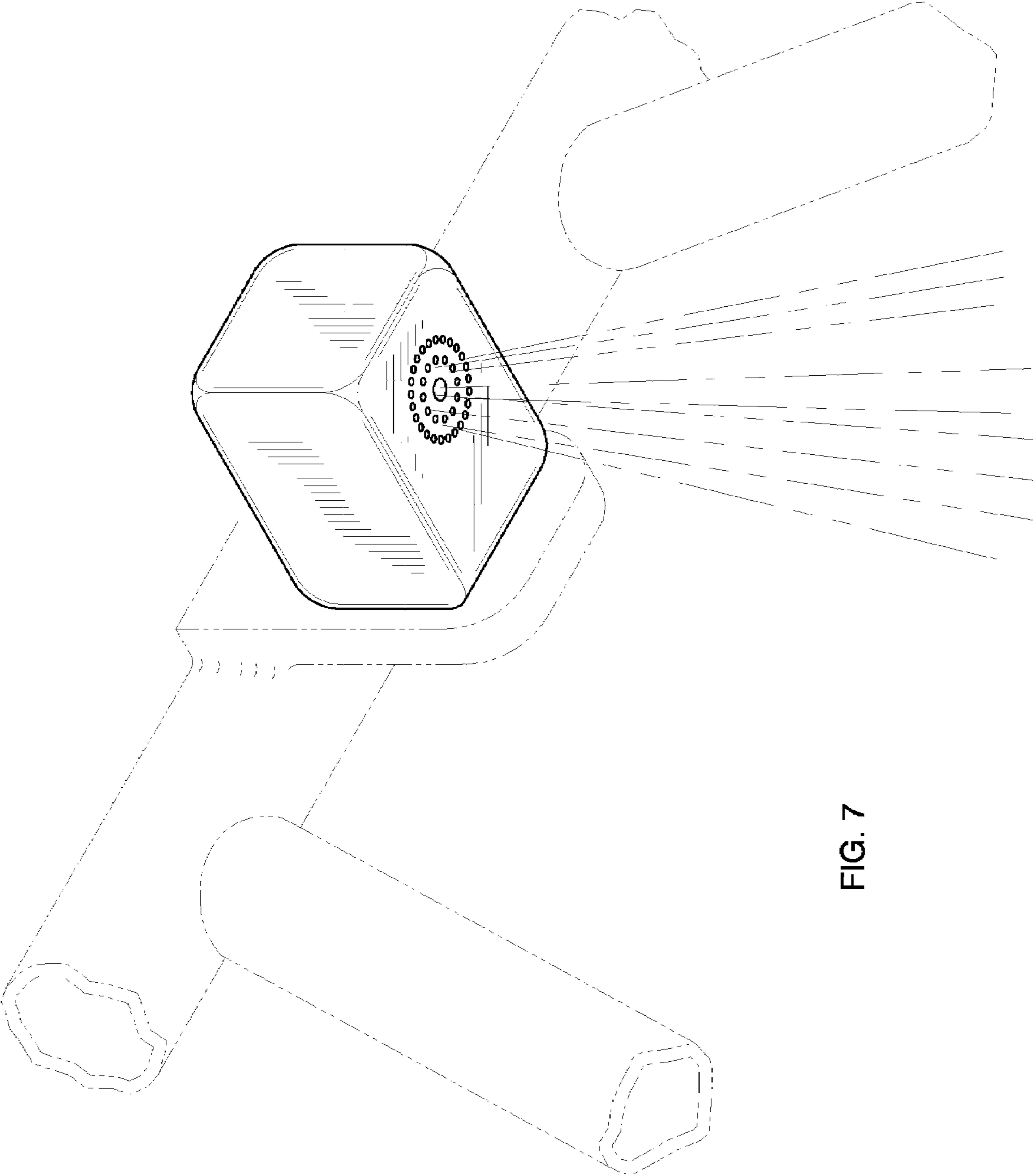


FIG. 7